

---

项目名称

R2205- 欧版

---

版本号

A00

---

设计时间

20220216

---

物料名称

说明书

---

设计师

林怡欣

---

审核

---

批准

---

料号

04170500000768

---

材质工艺要求： 胶装

材质要求： 封面： 157g 哑粉纸，单面过油；内页： 68g 哑粉纸；

颜色及专色： 单色印刷： K55

尺寸要求： 210mm\*140mm

---

变更履历：

- The word "dreame" is the abbreviation of Dreame Technology Co., Ltd. and its subsidiaries in China. It is the transliteration of the company's Chinese name " 追觅 ", which means striving for excellence in every endeavor and reflects the company's vision of continuous pursuit, exploration and search in technology.
- Das Wort "dreame" ist die Abkürzung von Dreame Technology Co., Ltd und seinen Tochterunternehmen in China. Es ist die Transliteration des chinesischen Namens " 追觅 " dieser Firma, was für das Streben nach Vollendung steht und die Vision des Unternehmens widerspiegelt, nämlich im Bereich der Technologie unaufhaltsam weiterzustreben, zu erforschen und entdecken.
- Dreame est l'abréviation de l'entreprise chinoise Dreame Technology Co. et ses filiales, qui est la traduction phonétique du nom chinois de l'entreprise, reflétant la vision de l'entreprise qui consiste à poursuivre, explorer et rechercher constamment les avancées technologiques.
- La parola "dreame" è l'abbreviazione dell'azienda Dreame Technology Co., Ltd. e delle sue filiali in Cina. È la traslitterazione del nome cinese dell'azienda " 追觅 ", che dimostra la continua ricerca, esplorazione e visione di ricerca dell'azienda nella tecnologia.
- La palabra "dreame" es la abreviatura de Dreame Technology Co., Ltd. y sus subsidiarias en China. Es la transliteración del nombre chino de "Dreame", que significa luchar por la excelencia en cada esfuerzo y refleja la visión de la compañía de continuamente buscar, explorar e investigar en tecnologías.
- Dreame — сокращённое название китайской компании Dreame Technology Co., Ltd. и ее дочерних предприятий. Dreame является транслитерацией названия компании на китайском языке « 追觅 », в котором отражено корпоративное видение компании в сфере науки и технологий — непрерывный поиск, исследования и стремление к успеху.
- Słowo "dreame" to skrót od Dreame Technology Co., Ltd. i spółek w Chinach. Jest to transliteracja chińskiej nazwy firmy " 追觅 " co oznacza dążenie do doskonałości w każdym przedsięwzięciu, odzwierciedlając wizję firmy, jaką jest ciągłe prowadzenie, odkrywanie i poszukiwania w nauce i technologii.

• Dreame הינו שמו המקוצר של החברה הסינית Dreame Technology Co., Ltd. and its subsidiaries. זהו תעתיק המבוסס על צליל השם הסיני " 追觅 " וממחיש בתוכו את חזון החברה לחפש ולדרוף באופן בלתי פוסק בתחום הטכנולוגיה.

• دريم هي مؤسسة صينية ويطلق على شركة دريم للتكنولوجيا المحدودة والشركات التابعة لها، وتعكس الترجمة الصوتية للمسمى الصيني " 追觅 " رؤية الشركة للسعي المستمر والاكتشاف والبحث في التكنولوجيا.



For more information & after-sales support, contact us via [aftersales@dreame.tech](mailto:aftersales@dreame.tech)/<https://global.dreametech.com>

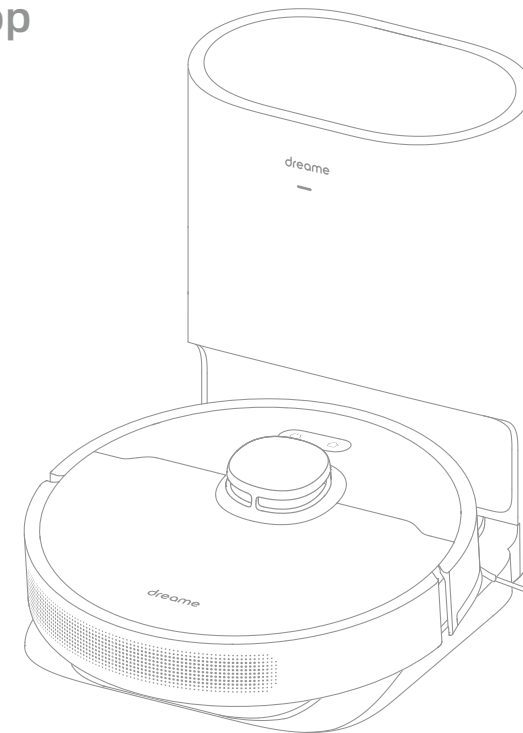
Manufactured by: Dreame Trading (Tianjin) Co., Ltd.

Made in China

RLS3D-EU-A00

# DreameBot D10 Plus

## Auto-Empty Robot Vacuum and Mop User Manual



The illustrations in this manual are for reference only. Please refer to the actual product.

**dreame**



## Contents

<b>EN</b>	User Manual	1
<b>DE</b>	Benutzerhandbuch	25
<b>FR</b>	Manuel d'utilisation	49
<b>IT</b>	Manuale utente	73
<b>ES</b>	Manual de usuario	97
<b>RU</b>	Руководство пользователя	121
<b>PL</b>	Instrukcja obsługi	145
<b>HE</b>	מדריך למשתמש	169
<b>SA</b>	دليل المستخدم	193

## Safety Information

Read this manual carefully before use and keep it for future reference.

### Usage Restrictions

- This product should not be used by children younger than 8 years old nor persons with physical, sensory, intellectual deficiencies, or limited experience or knowledge without the supervision of a parent or guardian to ensure safe operation and to avoid any risks. Cleaning and maintenance shall not be performed by children without supervision.
- Children shall not play with this product. Ensure children and pets are kept at a safe distance from the robot while it is operating.
- This product is for floor cleaning in a home environment only. Do not use it outdoors, on non-floor surfaces, or in a commercial or industrial setting.
- Do not use the robot in an area suspended above ground level without a protective barrier.
- Do not place the robot upside down. Do not use the LDS cover, robot cover, or bumper as a handle for the robot.
- Do not use the robot at an ambient temperature above 40° C or below 0° C or on a floor with liquids or sticky substances.
- Pick up any cables from the floor before using the robot to prevent it from dragging them while cleaning.
- Remove fragile or small items from the floor to prevent the robot from bumping into and damaging them.
- Keep hair, fingers, and other body parts away from the suction opening of the robot.

## Safety Information

### Usage Restrictions

- Keep the cleaning tool out of reach of children.
- Do not place children, pets, or any item on top of the robot regardless of whether it is stationary or moving.
- Do not use the robot to clean any burning objects.
- Do not vacuum hard or sharp objects.
- Make sure the robot is turned off and the auto-empty base is unplugged before cleaning or performing maintenance.
- Do not use a wet cloth to wipe or any liquid to rinse the robot and base. Washable parts must be dried completely before installing and using them.
- Please use this product in accordance with the instructions in the User Manual. Users are responsible for any loss or damage that arise from improper use of this product.

### Batteries and Charging

- Do not use any third-party battery or auto-empty base. Use only with RCS7 supply unit.
- Do not attempt to disassemble, repair, or modify the battery or auto-empty base on your own.
- Do not place the auto-empty base near a heat source.
- Do not use a wet cloth or wet hands to wipe or clean the base's charging contacts.

## Safety Information

### Batteries and Charging

- Do not improperly dispose of old batteries. Unneeded batteries should be discarded at an appropriate recycling facility.
- If the power cord becomes damaged or broken, stop using it immediately and contact after-sales service.
- Make sure the robot is turned off when being transported and kept in its original packaging if possible.
- If the robot will not be used for an extended period, fully charge it, then turn it off and store in a cool, dry place. Recharge the robot at least once every 3 months to avoid over-discharging the battery.
- This product contains batteries that can only be replaced by qualified technicians or after-sales service.

### Laser Distance Sensor

- The laser distance sensor complies with the IEC 60825-1:2014 standard for Class 1 laser products and does not generate dangerous laser radiation.

Hereby, Dreame Trading (Tianjin) Co., Ltd. declares that the radio equipment type RLS3D is in compliance with Directive 2014/53/EU. The full text of the EU declaration of conformity is available at the following internet address: <https://global.dreameotech.com>

For detailed e-manual, please go to <https://global.dreameotech.com/pages/user-manuals-and-faqs>

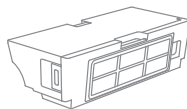
## Product Overview

### Accessories

#### Pre-Installed Accessories



Main Brush



Dust Bin

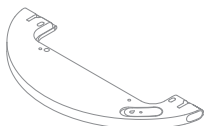


Cleaning Tool



Dust Collection Bag x2  
(1 pre-installed)

#### Other Accessories



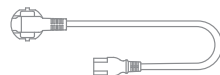
Water Tank



Mop Pad



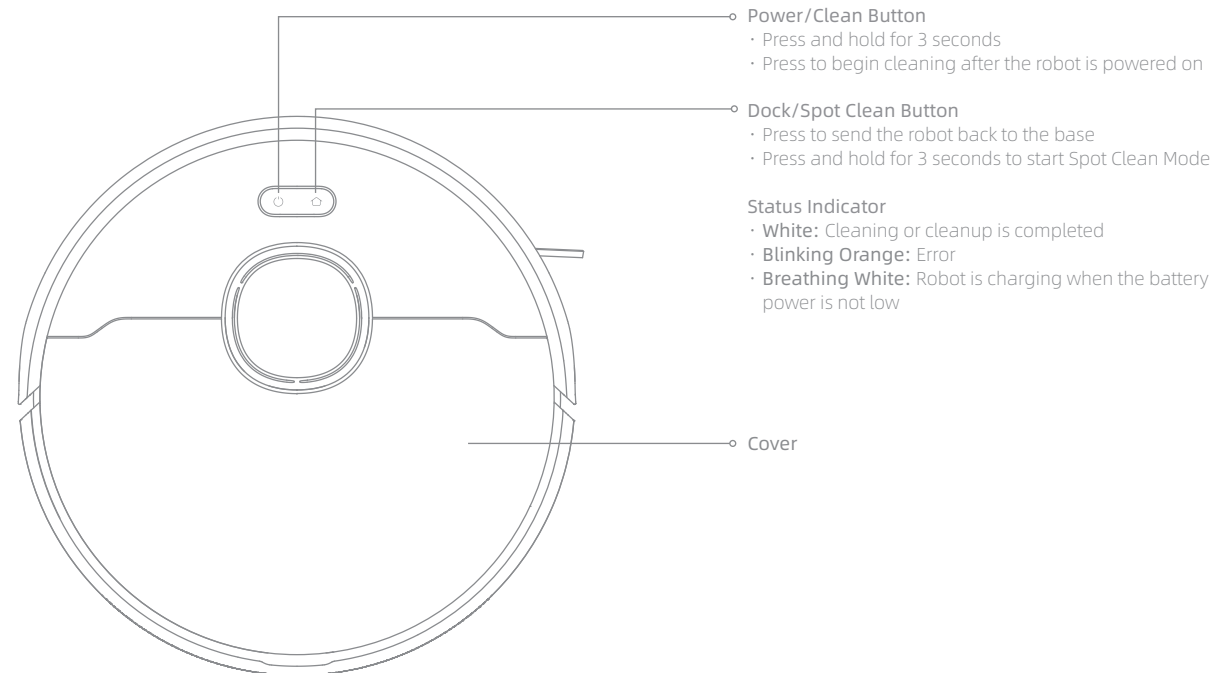
Side Brush



Power Cord

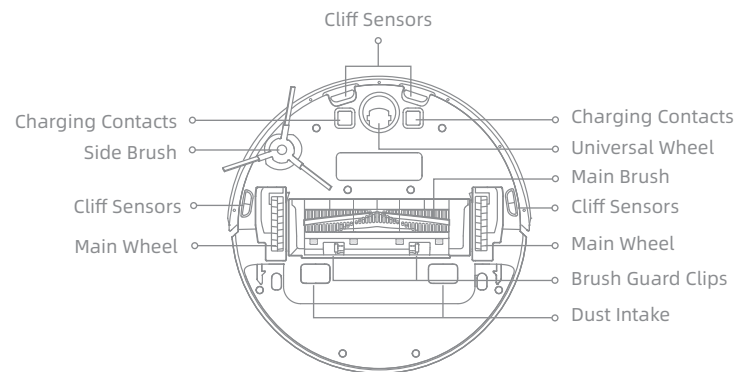
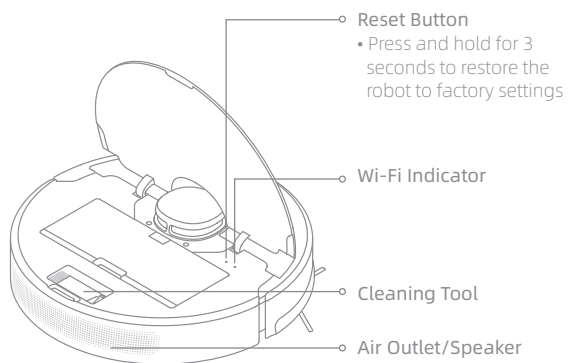
## Product Overview

### Robot

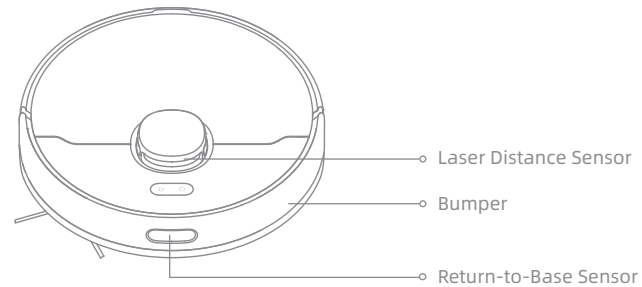


## Product Overview

### Robot

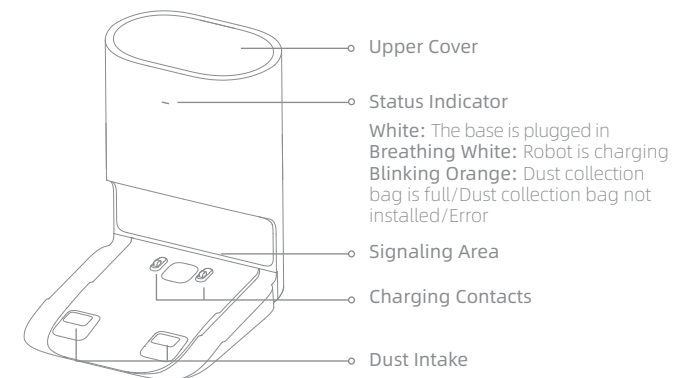


### Robot Sensors

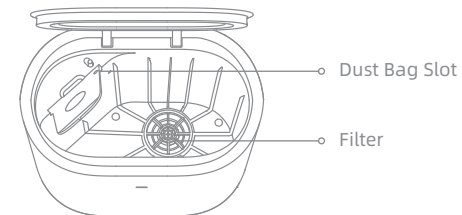


## Product Overview

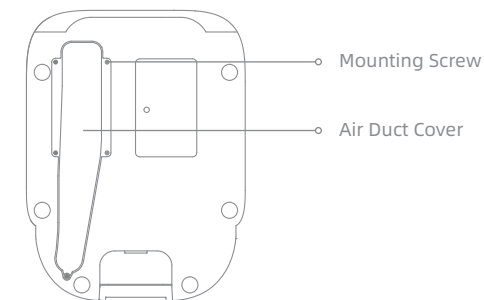
### Auto-Empty Base



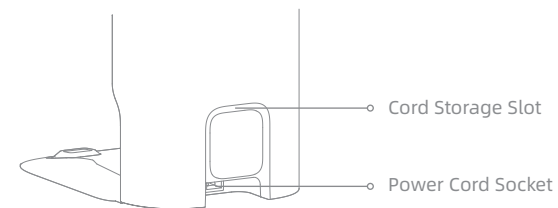
### Open the upper cover



### Bottom

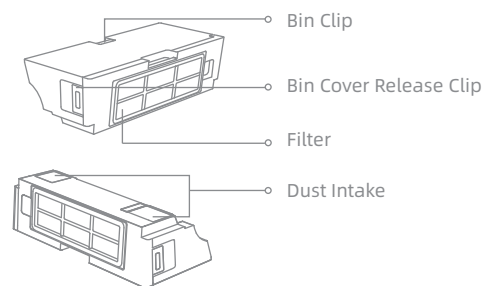


### Back



## Product Overview

### Dust Bin

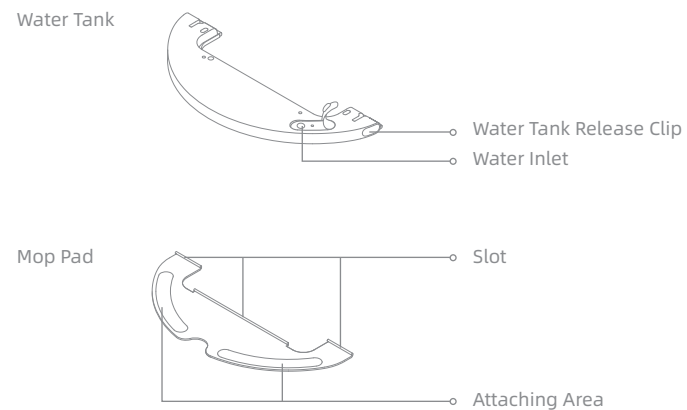


### Dust Collection Bag

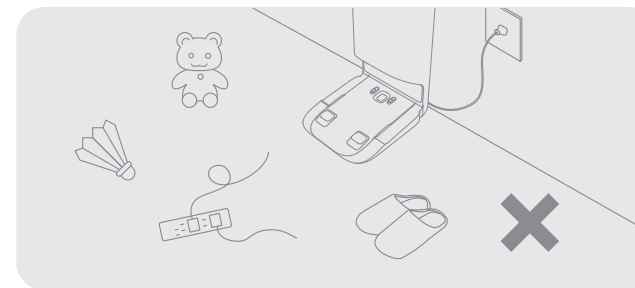


**Note:** Due to the factory setting, a new dust collection bag has been installed inside already.

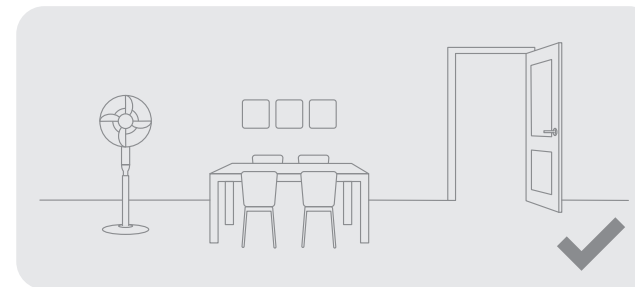
### Mopping Module



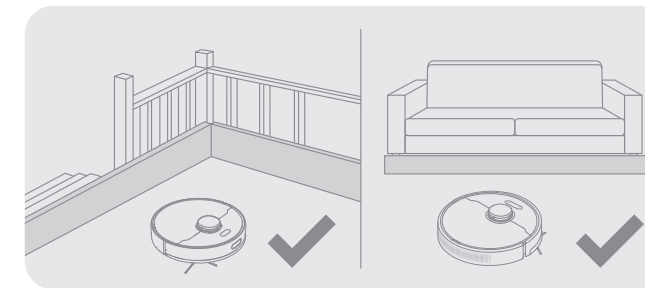
## Clearing Home Environment



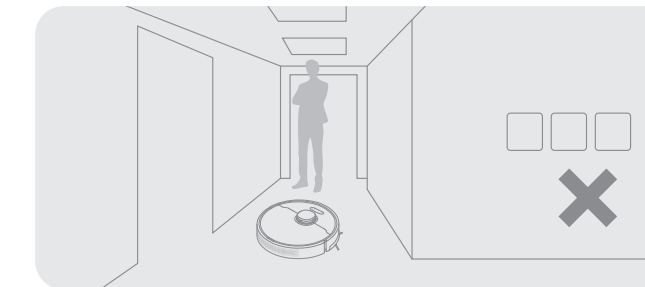
To improve the working efficiency of your robot, put away any loose cords, rags, slippers, toys, etc.



Open the door of the room to be cleaned, and put the furniture in its proper place to make more space.



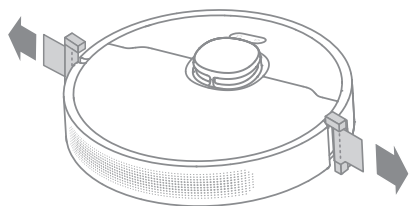
Before cleaning, place a physical barrier at the edge of the stairs and sofa to ensure safe and smooth operation of the robot.



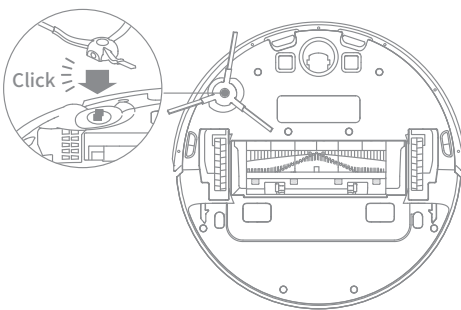
To prevent the robot from not recognizing the area that needs to be cleaned, do not stand in the front of the robot, threshold, hallway, or narrow places.

## Preparation Before Use

### 1. Remove the protective strips



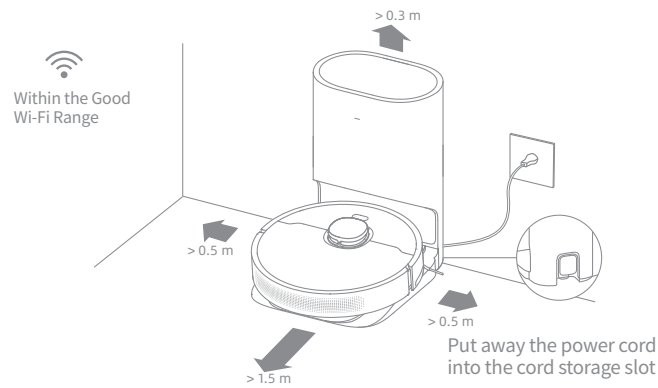
### 2. Install the side brush



**Note:** Install the side brush until it clicks into place.

### 3. Connect to a power outlet and start charging

Place the base on level ground against the wall and connect it to a power outlet. Place the robot onto the base to charge. The robot will turn on automatically and begin charging. It is recommended to fully charge your robot before first-time use.



**Note:**

- Keep the immediate area 1.5 m in front of the base and 0.5 m to its both sides clear of objects.
- Make sure that no objects might block the signaling area.

#### About the Auto-Empty Base

It is recommended that the robot set out from the base before cleaning. Do not move the base while the robot is cleaning. This ensures that the robot returns to base smoothly.

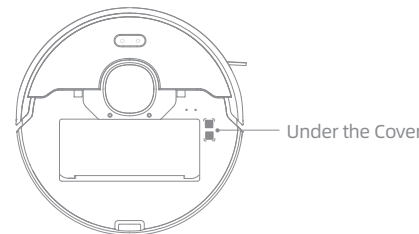
After the robot completes the cleaning task and automatically returns to the base, the base will start auto-empty. More settings can be operated on the APP.

## Connect with Dreamehome or Mi Home/Xiaomi Home App

This product works with the Dreamehome or Mi Home/Xiaomi Home app, which can be used to control your device.

### 1. Download the Dreamehome or Mi Home/Xiaomi Home App

Scan the QR code on the robot, or search "Dreamehome", "Mi Home" or "Xiaomi Home" in the app store to download and install the app based on your needs.



### 2. Add Device

**Mi Home/Xiaomi Home APP:** Open the Mi Home/Xiaomi Home app, tap "+" in the upper right, and scan the QR code above again to add "Dreame Bot D10 Plus". Please follow the prompts to finish the Wi-Fi connection.

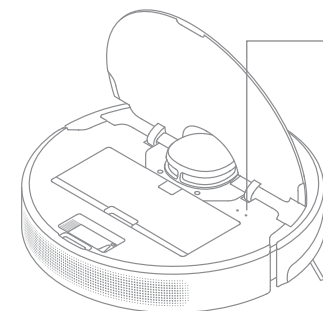
**Dreamehome APP:** Open the Dreamehome app, tap "+" in the upper right to go to the "Add Device" page, and then select "Dreame Bot D10 Plus". Please follow the prompts to finish the Wi-Fi connection.

**Note:**

- Only 2.4GHz Wi-Fi is supported.
- The version of the app might have been updated, please follow the instructions based on the latest app version.

### 3. Reset Wi-Fi

Simultaneously press and hold the buttons (⏻) and (⏮) until you hear a voice prompt saying, "Waiting for the network configuration." Once the Wi-Fi indicator is blinking slowly, the Wi-Fi has been successfully reset.


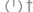


- Wi-Fi Indicator**
- Blinking slowly: To be connected
  - Blinking quickly: Connecting
  - On: Wi-Fi connected


**Note:** If your robot cannot connect to the app successfully, reset the Wi-Fi and add the device again.

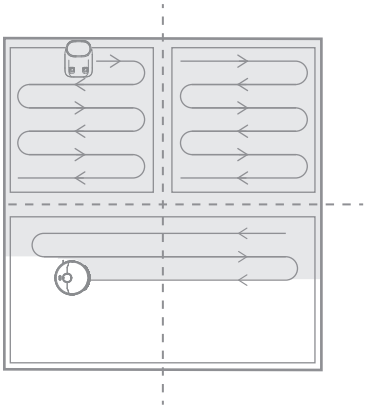
## How to Use

### 1. Turn On/Off

Press and hold the button  for 3 seconds to turn on the robot. Once the power indicator turns solid white, the robot is on standby. To turn off the robot, press and hold the button  for 3 seconds when the robot is not moving.

### 2. Start Cleaning

Press the button  briefly to turn on the robot. Upon activation, the robot will accurately map out a route, methodically clean along the edges and walls, then finish by cleaning each room in an S-shaped pattern to ensure a thorough job.



### 3. Cleaning Mode

Dreame Bot D10 Plus has four cleaning modes: Quiet, Standard, Strong, and Turbo. The default mode is Standard. You can specify the cleaning mode in the Dreamehome or Mi Home/Xiaomi Home app.

### 4. Pause/Sleep Mode


**Pause:** Press any button briefly to pause the robot during cleaning.

**Sleep Mode:** If the robot pauses for more than 10 minutes, it automatically enters the sleep mode, and the power indicator and charging indicator will go off. To wake up the robot, press any button.

Note:

- The robot will turn off automatically if left in Sleep Mode for more than 12 hours.
- If the robot is paused and placed onto the base, the current cleaning task will end.

### 5. Spot Clean Mode

When the robot is paused or in Standby Mode, press and hold the button  for 3 seconds to start Spot Clean Mode. In this mode, it will clean a square-shaped area of 1.5x1.5 meters directly around the robot. When the spot cleaning is done, the robot will automatically return to its original location and power off.

Note: Activating Spot Clean Mode will end the current cleaning task of the robot.

### 6. Additional App Functions

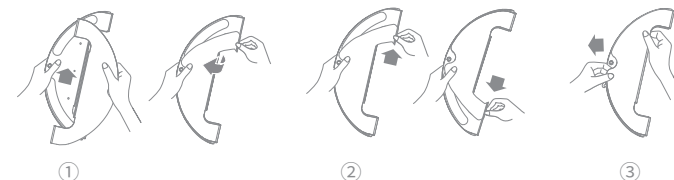
Follow the instructions on the app interface to use more functions. The version of the app might have been updated; please follow the instructions based on the current app version.

## How to Use

### 7. Use the Mopping Function

It is recommended that all floors are vacuumed at least three times before the first mopping session to achieve a better cleaning effect.


1) Dampen the mop pad and wring out excess water. Insert the mop pad into the slot of the water tank as shown in the figure, and paste the pad firmly.

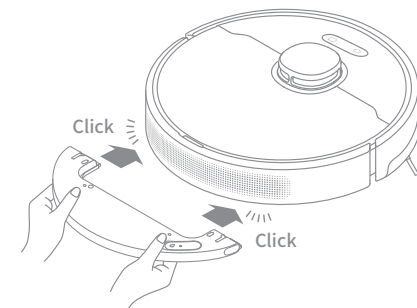


2) Open the water tank lid, fill the tank with water, then securely close the lid.



Note: Do not use detergent or disinfectant.

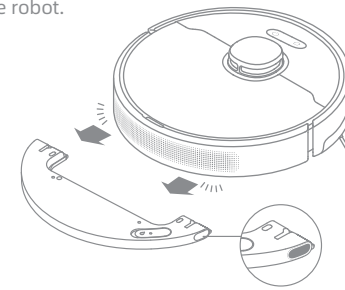
3) Align the mopping module as indicated by the arrow, then slide it into the back of the robot until it clicks into place. Press the button  or use the Dreamehome or Mi Home/Xiaomi Home app to start cleaning.



Note:

- It is not recommended to use the mopping function on carpets.
- Use the app to adjust the water flow as required.

4) Press the two side clips inwards and slide the water tank backwards to separate it from the robot.

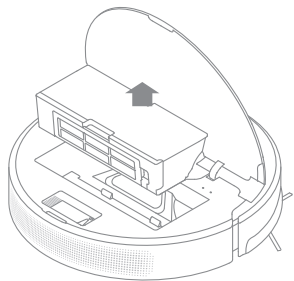


Note: When the robot is charging or not in use, remove the mopping module, pour out all the remaining water in the tank, and clean the mop pad to prevent mildew or odors.

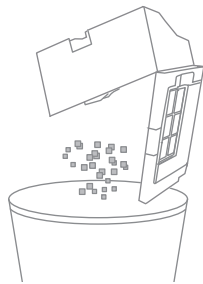
## Routine Maintenance

### Clean the Dust Bin \* Clean after each use

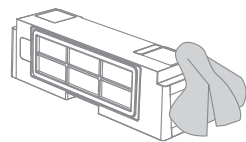
1. Open the robot cover, then press the dust bin clip to remove the dust bin.



2. Open the bin cover and empty the bin as shown in the diagram.

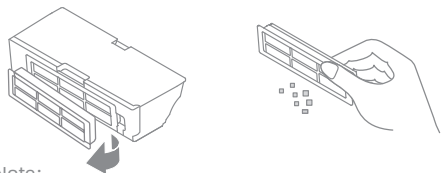


3. Clean the dust intake.



### Clean the Filter

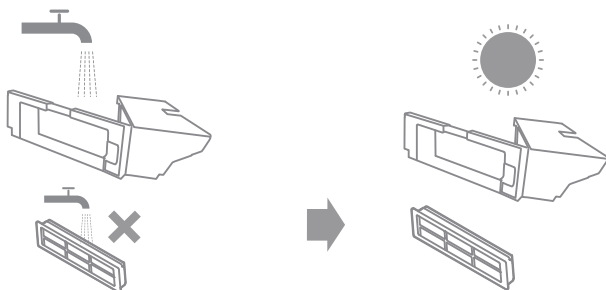
1. Remove the filter and tap its basket gently.



#### Note:

- Do not attempt to clean the filter with brushes or fingers.
- Rinse the dust bin with clean water only. Do not use any detergent.
- Use the dust bin and filter when they are completely dry.
- The filter is recommended to be cleaned every two weeks and replaced every three months.

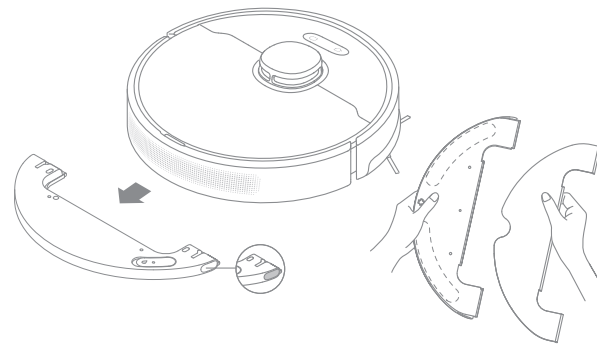
2. Do not wash the filter. Only the dust bin is washable. Thoroughly dry it before re-installing.



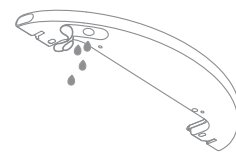
## Routine Maintenance

### Clean the Mopping Module

1. Press the two release clips on the side of the water tank, remove the mopping module, and pull the mop pad off the mopping module.

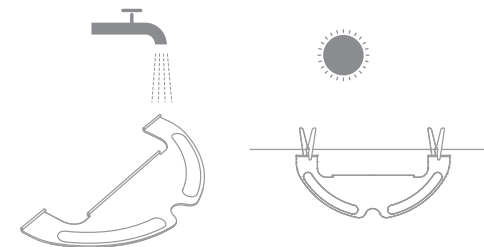


2. Pour out the water in the tank. Clean with only water and leave out to air dry before re-installing.



**Note:** Do not expose the tank to the sun directly.

3. Clean the mop pad with water only and leave to air dry before re-installing.



#### Note:

- Remove the pad from the mopping module before cleaning it, and make sure dirty water does not flow back into the water outlet to avoid clogging.
- For optimal performance, it is recommended to replace the mop pad every 3-6 months.

4. If slow water flow occurs, or the volume is not well-distributed, clean the air hole in the cover of the water tank.

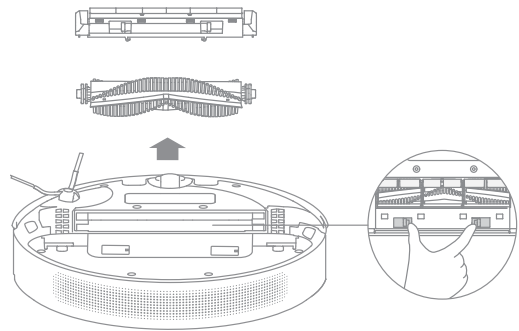




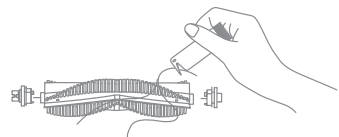
## Routine Maintenance

### Clean the Main Brush

Press the brush guard clips inwards to remove the brush guard and lift the brush out of the robot.



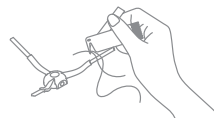
Pull out the brush covers as shown in the diagram. Use the included cleaning tool to remove any hairs tangled in the brush.



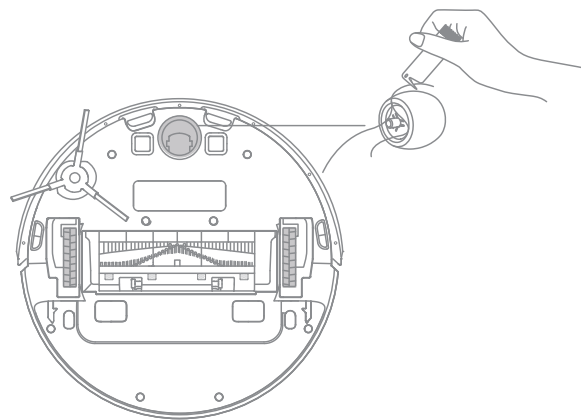
**Note:** Do not pull out the hair tangled in the main brush excessively. Otherwise, the brush may be damaged.

### Clean the Side Brush

Pull out the side brushes and use the cleaning tool to remove any hair tangled on the brush.



### Clean the Main Wheel/Universal Wheel

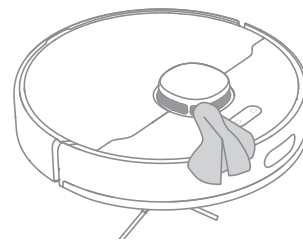


**Note:** Use a tool such as a small screwdriver to separate the axle and tire of the universal wheel.

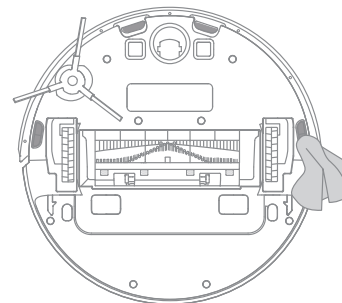
## Routine Maintenance

**Note:** Wet cloths can damage sensitive elements within the robot and base. Please use dry rags for cleaning.

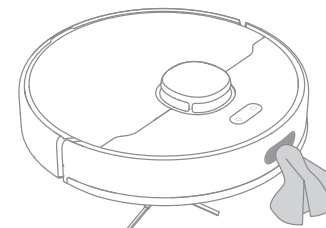
### Clean the Laser Distance Sensor



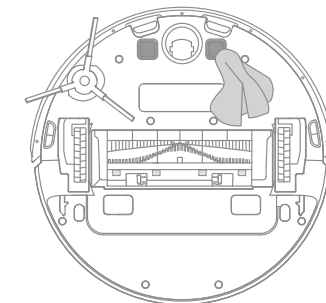
### Clean the Cliff Sensor



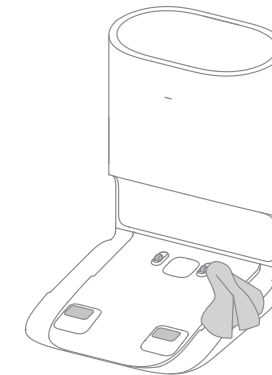
### Clean the Return-to-Base Sensor



### Clean the Charging Contact



### Clean the Charging Contact and Dust Intake

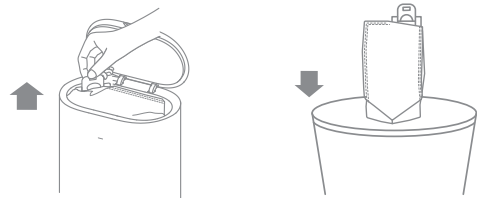


## Routine Maintenance

### Replace the Dust Collection Bag

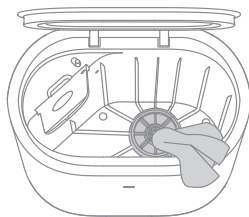
According to the status indicator (blinking orange) and app prompts, replace it with a new one when the dust collection bag is full. It is recommended to replace the bag every 4-6 weeks.

1. Discard the dust collection bag

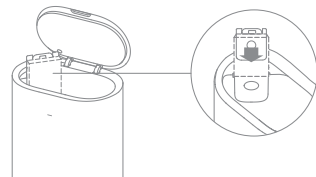


**Note:** When taking out the dust collection bag, close the dust bag handle to avoid dust leaking out.

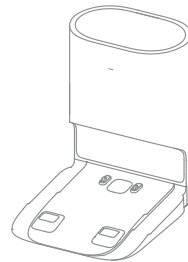
2. Wipe the filter with a dry cloth



3. Install a new dust collection bag



4. Close the upper cover of auto-empty base



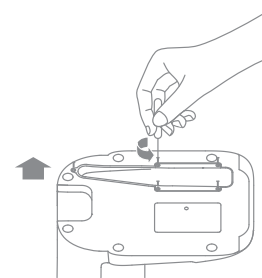
**Note:** Do not close the base forcibly, if the upper cover of base cannot be closed and the dust collection bag is not installed.

## Routine Maintenance

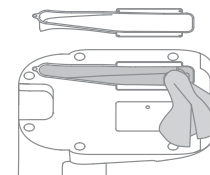
### Clean the Air Duct

If the air duct is blocked, please clean it according to the following steps.

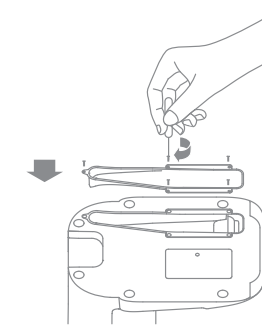
1. Unscrew mounting screws on the air duct cover and remove the cover plate.





2. Check whether the air duct is blocked by foreign objects. If any, clean them.



3. Reinstall the air duct cover as shown in the diagram.



### Robot Restarting

If the robot stops responding or cannot be turned off, press and hold down the button  for 10 seconds to forcefully turn it off. Then press and hold the button  for 3 seconds to turn the robot on.

### Battery

The robot contains a high-performance lithium-ion battery pack. Please ensure that it remains well-charged for daily use to maintain optimal battery performance. If the robot is not used for an extended period of time, turn it off and put it away. To prevent damage from over-discharging, the robot should be recharged at least once every three months.

## Status Indicator

The following table lists possible causes and solutions in terms of different light status. For more support, please refer to the section "FAQ" in this manual.

Light Status	Possible Cause	Solution
Off	No power supply	Check and ensure that the power supply for the base is normal.
	The robot in the DND period The robot with full charge in sleep mode	/
White	The robot not on the base	/
Breathing White	The robot is charging	/
Blinking Orange	Error	Check whether a dust collection bag is installed. If not, install one. Check whether the dust collection bag is installed in place.
		Check whether the upper cover is closed. If not, close the upper cover tightly.
		Check whether the bag is full. If so, replace it. Remove debris around the dust intake of the robot and base.
		Unplug the power cord of base, and check whether there are any foreign objects that block the air duct cover. If any, clean them.
		Check whether the dust bin of robot is installed. For other errors, contact qualified technicians or after-sales service.

## FAQ

Problem Type	Solution
Robot does not turn on	The battery level is low. Recharge the robot on the base, then try it again. The ambient temperature is too low (below 0° C) or too high (above 40° C). The operating temperature of the robot is 0° C to 40° C.
Robot cannot recharge	The base is not receiving power. Please confirm that both ends of the power cord are plugged in correctly. Poor contact. Clean charging contacts of the base and robot.
Robot cannot return to the base	There are too many obstructions around the base. Place the base in a more open area. Please clean the signaling area of the base. Moving the robot may cause it to re-position itself or re-map its surroundings. If the robot is too far from the base, it might not be able to automatically return on its own, in which case you need to manually place the robot onto the base.
Robot is malfunctioning	Turn off the robot and then reactivate it.
Robot is making a strange noise	A foreign object may be caught in the main brush, side brush, or one of the main wheels. Stop the robot and remove any debris.
Robot no longer cleans efficiently or leaves dust behind	The dust bin is full. Please clean the dust bin and dust intake. The filter is blocked. Please clean it. A foreign object is caught in the main brush. Please clean it.

Problem Type	Solution
Robot cannot connect to Wi-Fi	<p>There is something wrong with the Wi-Fi connection. Reset the Wi-Fi and download the latest version of the Dreamehome or Mi Home/Xiaomi Home, then try reconnecting.</p> <p>Location permission is not open. Please ensure the location permission on the Dreamehome or Mi Home/Xiaomi Home is enabled.</p> <p>Wi-Fi signal is weak. Make sure the robot is in an area with good Wi-Fi coverage.</p> <p>5GHz Wi-Fi is not supported. Please ensure your robot connects to 2.4GHz Wi-Fi.</p> <p>The username or password of Wi-Fi is incorrect. Please enter the correct username and password.</p>
Robot does not perform scheduled cleaning	The robot has low battery. Scheduled cleaning will not start unless the robot has been recharged in time.
Does leaving the robot on the base consume power if it is already fully charged?	Leaving the robot on the base after it's fully charged consumes very little electricity and helps maintain optimal battery performance.
No water comes out of the mopping module, or only a little bit comes out	<p>Check whether there is water inside the water tank.</p> <p>Clean the mop if it becomes dirty.</p> <p>Make sure the mop pad is installed correctly according to the user manual.</p> <p>Clean the blowhole on the top of the water tank.</p>
Robot doesn't resume cleaning after charging	<p>Make sure the robot is not set to Do Not Disturb mode (DND), which will prevent it from resuming cleaning.</p> <p>The robot does not resume cleaning when it is manually recharged or placed onto the base.</p>

Problem Type	Solution
Robot returns to the base without performing auto-empty tasks	DND mode prevents the robot from performing auto-empty tasks.
The dust collection bag is full	Check whether the dust collection bag is full. If so, replace it with a new one. It is recommended to replace the bag every 4-6 weeks. If not, check whether the dust intake or air duct at the bottom of the base is blocked. Remove any blockage before use.
The auto-empty duration can be unacceptably long sometimes	When the robot has been performing auto-empty tasks for a period of time, or when the air duct does not function smoothly, the auto-empty duration will be extended to prevent blockage.
The upper cover of base fails to be closed	Check whether a dust collection bag is installed. If not, install one.

## Robot

Model	RLS3D
Battery	5200 mAh (Nominal Capacity)
Charging Time	Approx. 6 hours
Wireless Connectivity	Wi-Fi IEEE 802.11b/g/n 2.4 GHz
OS Compatibility	Android 4.4 & iOS 10.0 or above
Rated Voltage	14.4 V $\overline{\text{---}}$
Rated Power	46 W
Operation Frequency	2400-2483.5 MHz
Maximum Output Power	< 20 dBm

## WEEE Information



All products bearing this symbol are waste electrical and electronic equipment (WEEE as in directive 2012/19/EU) which should not be mixed with unsorted household waste. Instead, you should protect human health and the environment by handing over your waste equipment to a designated collection point for the recycling of waste electrical and electronic equipment, appointed by the government or local authorities. Correct disposal and recycling will help prevent potential negative consequences to the environment and human health. Please contact the installer or local authorities for more information about the location as well as terms and conditions of such collection points.

## Auto-Empty Base

Model	RCS7
Rated Input	220-240 V ~ 50-60 Hz
Rated Output	19.8 V $\overline{\text{---}}$ 1 A
Rated Power	600 W

Under normal use of condition, this equipment should be kept a separation distance of at least 20cm between the antenna and the body of the user.

## Sicherheitsinformationen

## Nutzungseinschränkungen

- Dieses Produkt kann von Kindern im Alter ab acht Jahren, und von Personen mit physischen, sensorischen und intellektuellen Einschränkungen oder begrenzter Erfahrung oder Wissen benutzt werden, dies muss jedoch unter Aufsicht von Eltern oder einer Aufsichtsperson erfolgen, um einen sicheren Betrieb zu gewährleisten und Gefahren auszuschließen. Eine Wartung und Reinigung darf durch Kinder nur unter Aufsicht erfolgen.
- Kinder dürfen nicht mit diesem Produkt spielen. Sorgen Sie dafür, dass Kinder und Haustiere während des Betriebs des Roboters einen sicheren Abstand zum Gerät halten.
- Dieses Produkt ist nur für die Bodenreinigung in einer häuslichen Umgebung geeignet. Benutzen Sie es nicht im Freien, auf anderen Oberflächen als dem Boden oder in einer kommerziellen oder industriellen Umgebung.
- Verwenden Sie den Roboter nicht in einem Bereich, der sich über dem Bodenniveau befindet und der nicht durch eine Schutzbarriere begrenzt wird.
- Stellen Sie den Roboter nicht auf den Kopf. Verwenden Sie die LDS Abdeckung, die Roboterabdeckung oder den Bumper nicht als Griff für den Roboter.
- Benutzen Sie den Roboter nicht in Umgebungen, in denen die Temperaturen über 40 ° C oder unter 0 ° C liegen, und auch nicht auf Böden mit Flüssigkeiten oder klebrigen Substanzen.
- Heben Sie Kabel vom Boden auf, bevor Sie den Roboter benutzen, um zu verhindern, dass diese während der Reinigung mitgezogen werden.
- Entfernen Sie zerbrechliche oder kleine Gegenstände vom Boden, um zu

**Nutzungseinschränkungen**

- verhindern, dass der Roboter sie anstößt und beschädigt.
- Halten Sie das Reinigungswerkzeug außerhalb der Reichweite von Kindern.
- Halten Sie Haare, Finger und andere Körperteile von der Saugöffnung des Roboters fern.
- Kinder, Haustiere oder Gegenstände dürfen weder auf dem stillstehenden noch dem sich bewegenden Roboter positioniert werden.
- Benutzen Sie den Roboter nicht zum Aufwischen oder Aufsaugen brennender Substanzen.
- Saugen Sie keine harten oder scharfen Gegenstände ein.
- Stellen Sie sicher, dass der Roboter ausgeschaltet und die Auto-Entleerungsbasis vom Strom getrennt ist, bevor Sie Reinigungs- oder Wartungsarbeiten durchführen.
- Verwenden Sie kein nasses Tuch zum Abwischen und keine Flüssigkeit zum Abspülen des Roboters und der Basis. Abwaschbare Teile müssen vor dem Einbau und Gebrauch vollständig getrocknet werden.
- Bitte verwenden Sie das Produkt gemäß den Anweisungen im Benutzerhandbuch. Der Benutzer ist für jeglichen Verlust oder Schaden verantwortlich, der aufgrund inkorrektter Verwendung dieses Produkts entsteht.

**Akkus und Ladung**

- Verwenden Sie keine Akkus oder Auto-Entleerungsbasis von Drittanbietern. Bitte ausschließlich mit Versorgungseinheit RCS7 verwenden.
- Versuchen Sie nicht, den Akku oder die Auto-Entleerungsbasis selbst zu

**Akkus und Ladung**

- zerlegen, zu reparieren oder zu modifizieren.
- Stellen Sie die Auto-Entleerungsbasis nicht in der Nähe einer Wärmequelle auf.
- Verwenden Sie kein nasses Tuch oder keine nassen Hände, um die Ladekontakte der Basis zu wischen oder zu reinigen.
- Entsorgen Sie alte Akkus sachgemäß. Unbenutzte Akkus sollten in einer geeigneten Recycling-Einrichtung entsorgt werden.
- Wenn das Stromkabel beschädigt ist, schalten Sie das Gerät sofort aus und wenden Sie sich an den Kundendienst.
- Stellen Sie sicher, dass der Roboter beim Transport ausgeschaltet ist und möglichst in der Originalverpackung befördert wird.
- Wenn der Roboter für eine längere Zeit nicht benutzt werden soll, laden Sie ihn voll auf, schalten ihn aus und lagern ihn an einem kühlen und trockenen Ort. Laden Sie den Roboter mindestens je 3 Monate auf, um eine Tiefentladung des Akkus zu vermeiden.
- Dieses Produkt enthält Akkus, die nur von qualifizierten Technikern oder dem Kundendienst ausgewechselt werden können.

**Laserdistanzsensor**

- Der Laserdistanzsensor entspricht der Norm IEC 60825-1:2014 für Laserprodukte der Klasse 1 und erzeugt keine gefährliche Laserstrahlung.

Hiermit bestätigt, Dreame Trading (Tianjin) Co., Ltd. dass das Funkgerät des Typs RLS3D mit der Verordnung 2014/53/EU in Einklangsteht. Der vollständige Wortlaut der EU-Konformitätserklärung ist unter der folgenden Internetadresse abrufbar: <https://global.dreametech.com>

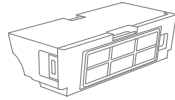
Ein detailliertes elektronisches Handbuch finden Sie unter <https://global.dreametech.com/pages/user-manuals-and-faqs>

## Zubehör

## Vorinstallierte Zubehörteile



Hauptbürste



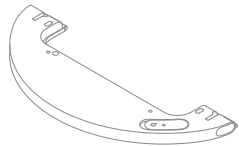
Staubbehälter



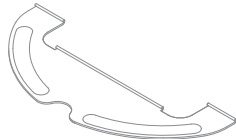
Reinigungswerkzeug

Staubsammelbeutel x2  
(1 vorinstalliert)

## Sonstiges Zubehör



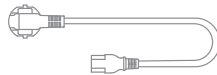
Wassertank



Wischer

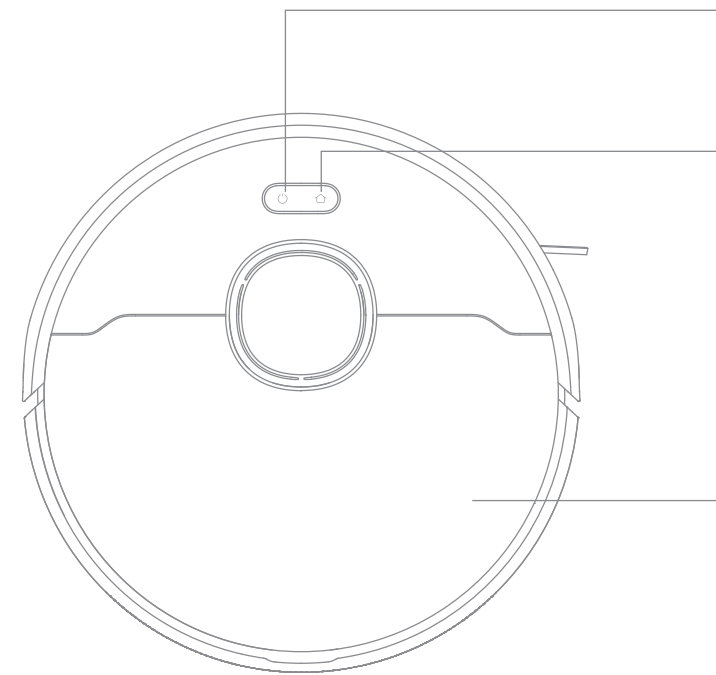


Seitenbürste



Stromkabel

## Roboter



## Ein-/Aus- und Reinigungstaste

- Drücken und 3 Sekunden lang gedrückt halten
- Drücken, um die Reinigung nach dem Einschalten des Roboters zu starten

## Zum Aufladen/Zielreinigungsmodus

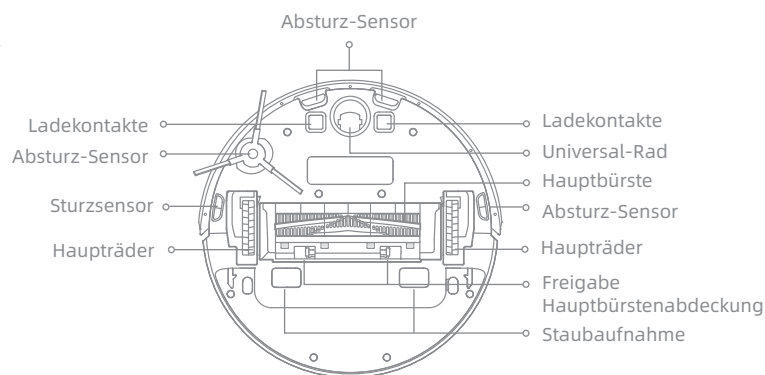
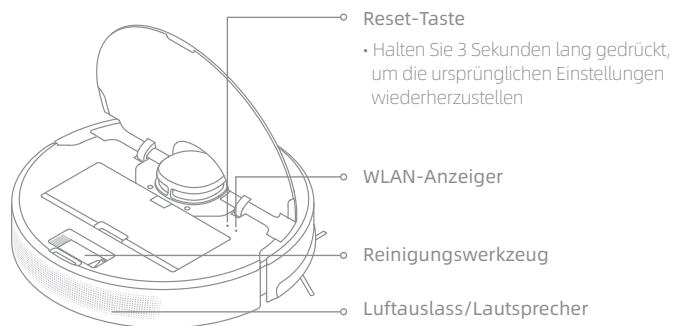
- Drücken, um den Roboter zur Auto-Entleerungsbasis
- Kurz drücken, um den Zielreinigungsmodus zu starten

## Statusanzeige

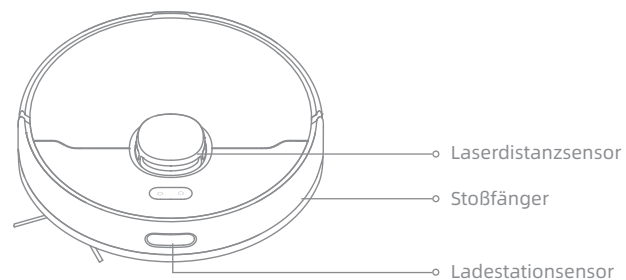
- **Weiß:** Reinigung im Prozess oder Reinigung ist abgeschlossen
- **Blinkt Orange:** Fehler
- **Das Licht leuchtet weiß:** Roboter ist beim Aufladen, wenn die Batterieleistung nicht niedrig ist

## Abdeckung

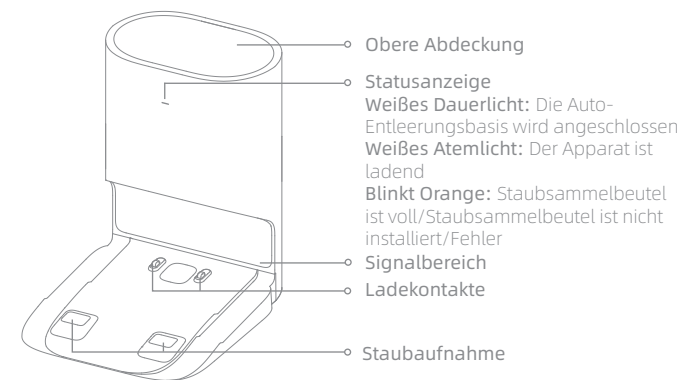
## Roboter



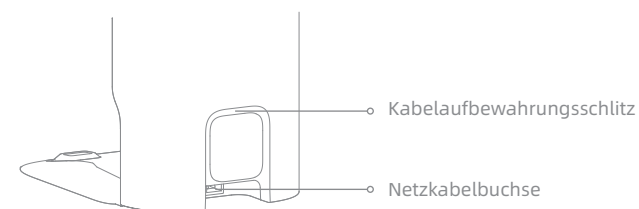
## Robotersensor



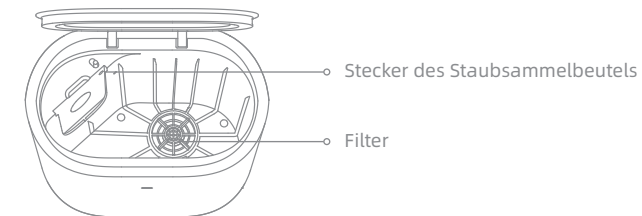
## Auto-Entleerungsbasis



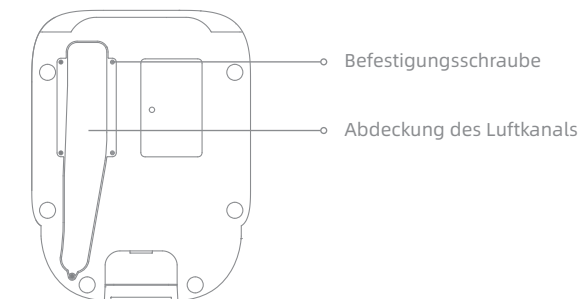
## Rückseite



## Öffnen Sie die obere Abdeckung

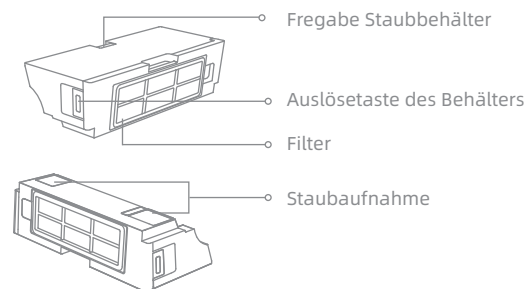


## Unterseite

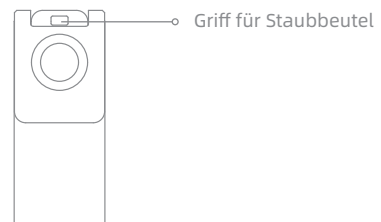




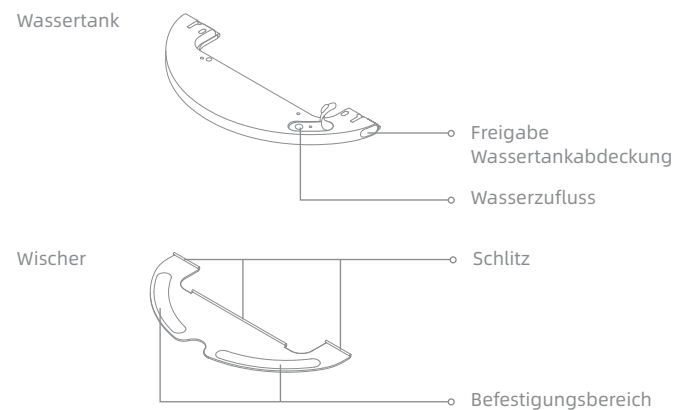
## Staubbehälter



## Staubsammelbeutel

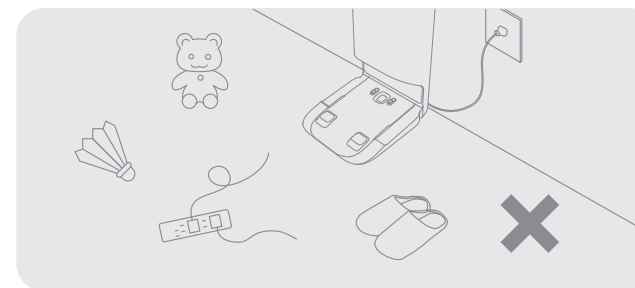


## Wischmodul

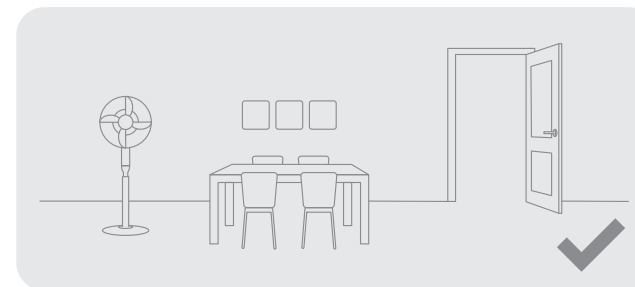


**Hinweis:** Aufgrund der Werkseinstellung ist bereits ein neuer Staubsammelbeutel im Inneren installiert.

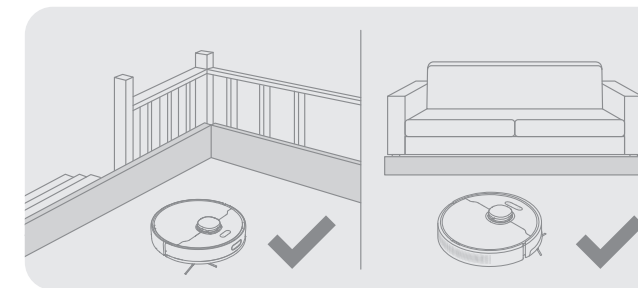
## Wohnumgebung aufräumen



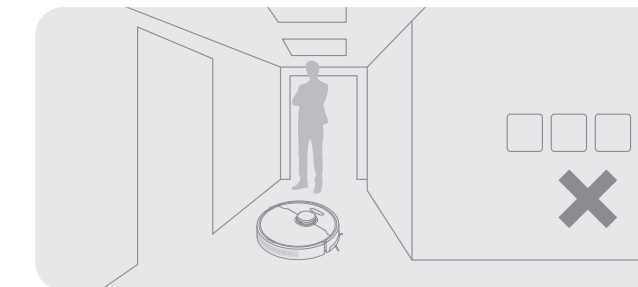
Räumen Sie alle losen Kabel, Lappen, Pantoffeln, Spielzeuge usw. beiseite, um die Arbeitseffizienz des Roboters zu erhöhen.



Öffnen Sie die Tür des zu reinigenden Raumes und stellen Sie die Möbel in die geeignete Position, um mehr Platz zu schaffen.

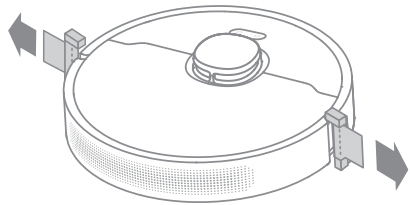


Montieren Sie vor der Reinigung die physische Barriere an den Kanten von Treppen und Möbeln, um dem Roboter ein reibungsloses Arbeiten zu ermöglichen.

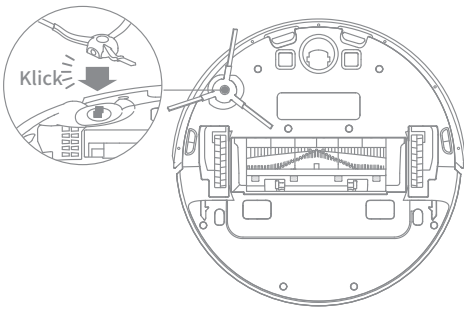


Um zu verhindern, dass der Roboter den zu reinigenden Bereich nicht erkennt, stellen Sie sich nicht vor den Roboter, vor eine Schwelle, oder die enge Stelle einer Flur hin.

1. Die Schutzstreifen entfernen



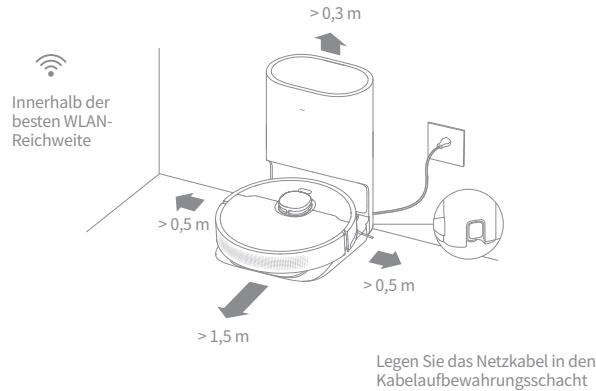
2. Seitenbürste installieren



Hinweis: Bringen Sie die Seitenbürste an, so dass sie in der korrekten Position einrastet.

3. Schließen Sie das Gerät an eine Steckdose an

Platzieren Sie die Basis auf ebenem Boden an die Wand und schließen Sie sie an eine Steckdose an. Platzieren Sie den Roboter zum Aufladen auf die Auto-Entleerungsbasis. Der Roboter schaltet sich automatisch ein und beginnt zu laden. Es wird empfohlen, das Gerät vor der ersten Verwendung vollständig aufzuladen.



Hinweis:

- Halten Sie den unmittelbaren Bereich 1,5 m vor der Basis und 0,5 m zu ihren beiden Seiten von Gegenständen frei.
- Stellen Sie sicher, dass keine Gegenstände den Signalisierungsbereich blockieren.

Beschreibung der Auto-Entleerungsbasis

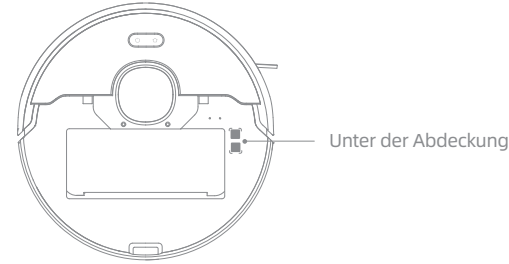
Um der Apparat nach dem Aufräumen gut auf die Basis zurückzukehren, ist es empfohlen, dass er von der Basis startet. Bewegen Sie während des Aufräumens nicht die Basis.

Nachdem die Auto-Entleerungsbasis installiert und an eine Stromversorgung angeschlossen wurde, kehrt der Roboter automatisch zum Aufladen in die Basis zurück. Die Basis leert den Staubbehälter bei Bedarf.

Dieses Produkt funktioniert mit der Dreamehome/Mi Home/Xiaomi Home App, mit der Sie Ihr Gerät steuern können.

1. Laden Sie die Dreamehome/Mi Home/Xiaomi Home App herunter

Scannen Sie den QR-Code auf dem Roboter oder suchen Sie im App Store nach "Dreamehome", "Mi Home" oder "Xiaomi Home", um die App basierend auf Ihren Bedürfnissen herunterzuladen und zu installieren.



2. Fügen Sie das Gerät hinzu

Mi Home/Xiaomi Home APP: Öffnen Sie das Mi Home/Xiaomi Home app, tippen Sie oben rechts auf "+" und scannen Sie den obigen QR-Code erneut, um "Dreame Bot D10 Plus" hinzuzufügen. Bitte folgen Sie den Anweisungen, um die WLAN-Verbindung zu beenden.

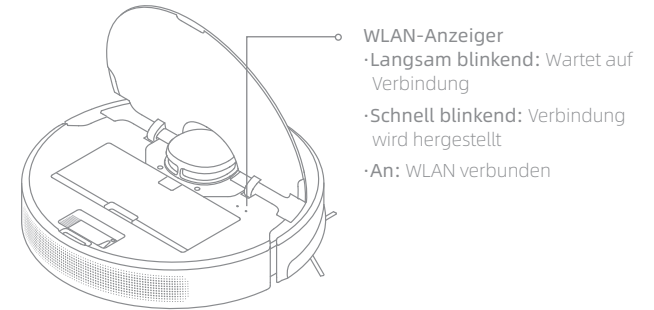
Dreamehome APP: Öffnen Sie die Dreamehome App, tippen Sie oben rechts auf "+", um zur Seite "Gerät hinzufügen" zu gelangen, und wählen Sie dann "Dreame Bot D10 Plus". Bitte folgen Sie den Anweisungen, um die WLAN-Verbindung zu beenden.

Hinweis:

- Es wird nur WLAN mit 2,4 GHz unterstützt.
- Die Version der App wurde möglicherweise aktualisiert. Befolgen Sie bitte die Anweisungen zur aktuellen App-Version.


3. WLAN zurücksetzen

Gleichzeitig drücken und halten Sie die und Taste bis Sie eine Sprachmeldung hören „Warten auf Netzwerkkonfiguration“. Sobald die WLAN-Anzeige langsam blinkt, wurde das WLAN erfolgreich zurückgesetzt.




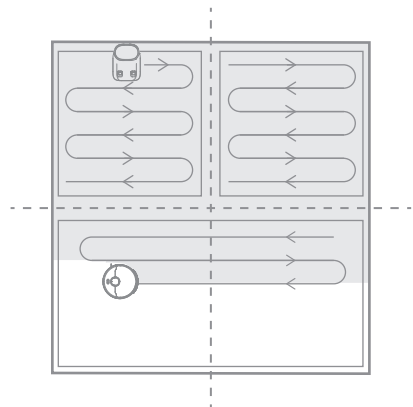
Hinweis: Wenn Ihr Telefon keine erfolgreiche Verbindung mit dem Roboter herstellen kann, setzen Sie das WLAN zurück und fügen Sie das Gerät erneut hinzu.

### 1. Einschalten/Ausschalten

Drücken und halten Sie die Taste  3 Sekunden lang um den Roboter anzuschalten. Sobald die Betriebsanzeige ständig weiß leuchtet, befindet sich der Roboter im Standby-Modus. Um den Roboter auszuschalten, drücken und halten Sie die Taste  3 Sekunden lang gedrückt, während der Roboter stillsteht.

### 2. Mit der Reinigung beginnen

Drücken Sie die Taste  kurz, um den Roboter einzuschalten. Nach dem Einschalten legt der Roboter eine genaue Route fest, reinigt methodisch entlang der Kanten und Wände und reinigt abschließend jeden Raum in einem 5-förmigen Muster, um eine gründliche Arbeit zu gewährleisten.



### 3. Reinigungsmodus

In der Dreamehome/Mi Home/Xiaomi Home App sind vier Reinigungsmodi verfügbar: Leise, Standard, Stark und Turbo. Voreingestellt ist der Standardmodus.

### 4. Pausiert/Energiesparmodus


**Pausiert:** Drücken Sie eine beliebige Taste, um den Roboter während der Reinigung zu pausieren.

**Energiesparmodus:** Der Roboter geht nach 10 Minuten Inaktivität automatisch in den Energiesparmodus. Dabei werden die Betriebs- und Ladeanzeige ausgeschaltet. Um den Roboter aufzuwecken, drücken Sie eine beliebige Taste.

Hinweis:

- Wenn das Gerät länger als 12 Stunden im Ruhemodus ist, schaltet es sich automatisch aus.
- Wenn der Roboter sich im Pause-Modus befindet, wird die aktuelle Reinigungsaufgabe beendet, wenn Sie ihn auf die Auto-Entleerungsbasis setzen.

### 5. Zielreinigungsmodus

Wenn sich der Roboter im Standby-Modus oder im Pause-Modus befindet, halten Sie die Taste  3 Sekunden lang gedrückt, um den Zielreinigungsmodus zu starten. In diesem Modus wird eine quadratische Fläche von 1,5 x 1,5 Metern direkt um den Roboter herum gereinigt. Wenn die Zielreinigung beendet ist, kehrt der Roboter automatisch an seinen ursprünglichen Standort zurück und schaltet sich ab.

Hinweis: Die Aktivierung der Zielreinigungsmodus beendet die aktuelle Reinigungsaufgabe des Roboters.

### 6. Weitere APP-Funktionen

Die App kann zur Einrichtung erweiterter Funktionen verwendet werden, wie beispielsweise zur Reinigung ausgewählter Räume, Zonenreinigung, Sperrgebiete/virtuelle Wand usw.

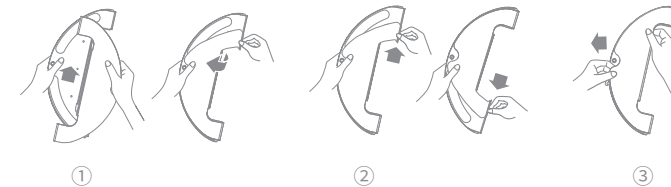
Hinweis:

- Folgen Sie den Anweisungen auf der APP-Schnittstelle, um weitere Funktionen zu nutzen.
- Die App-Version könnte aktualisiert worden sein. Bitte folgen Sie den Anweisungen entsprechend der aktuellen App-Version.

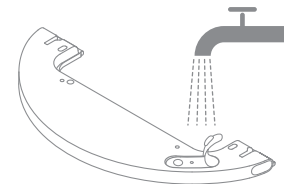
### 7. Verwenden der Wischfunktion

Zur Erzielung eines besseren Reinigungseffekts, wird empfohlen, alle Boden mindestens dreimal vor der ersten Mopp-Reinigung zu saugen.


1) Befeuchten Sie den Wischer und wringen Sie überschüssiges Wasser aus. Stecken Sie den Wischer wie in der Abbildung gezeigt in den Schlitz des Wassertanks und kleben Sie den Wischer fest.

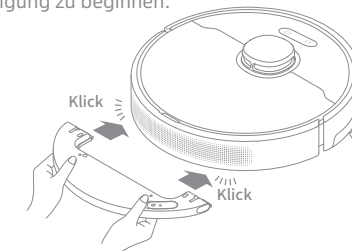


2) Öffnen Sie den Wassertankdeckel, füllen Sie den Tank mit Wasser und verschließen Sie den Deckel sicher.



Hinweis: Verwenden Sie keine Reinigungs- oder Desinfektionsmittel.

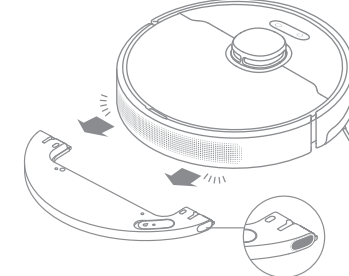
3) Richten Sie das Wischmodul wie durch den Pfeil angezeigt aus, und schieben Sie es dann in die Rückseite des Roboters, bis es einrastet. Drücken Sie die Taste  oder verwenden Sie die Dreamehome/Mi Home/Xiaomi Home app, um mit der Reinigung zu beginnen.



Hinweis:

- Die Verwendung der Wischfunktion auf Teppichen wird nicht empfohlen.
- Verwenden Sie die App, um den Wasserfluss wie benötigt einzustellen.

4) Drücken Sie die beide Clips auf der Seite nach innen, und schieben Sie den Wassertank zurück, um ihn vom Roboter abzutrennen.

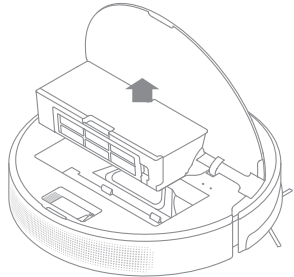


Hinweis: Wenn der Roboter geladen oder nicht verwendet wird, entfernen Sie das Wischmodul, gießen Sie das gesamte restliche Wasser aus dem Tank aus und reinigen Sie das Wisch-Pad, um Schimmelbildung oder verweilende Gerüche zu vermeiden.

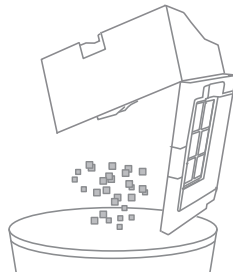
## Regelmäßige Wartung

### Staubbehälter \* Nach jedem Gebrauch reinigen

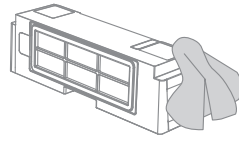
1. Öffnen Sie den Deckel des Roboters und drücken Sie dann den Staubbehälter-Clip ein, um das Staubfach zu entfernen.



2. Öffnen Sie den Deckel des Staubbehälters wie in der Abbildung dargestellt.

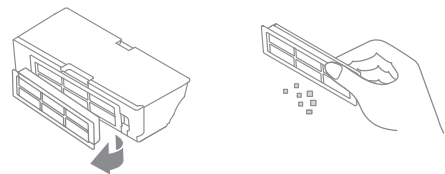


3. Reinigen der Staubaufnahme

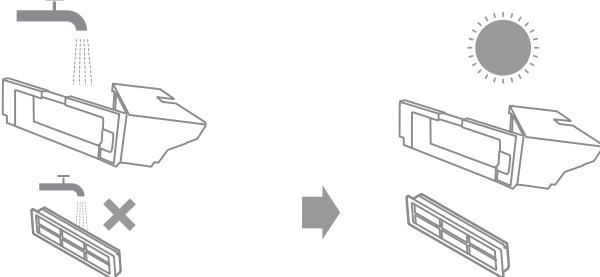


### Filter

1. Entfernen Sie den Filter und entleeren Sie vorsichtig.



2. Waschen Sie Filter nicht. Nur der Staubbehälter ist waschbar. Vor der Neuinstallation gründlich trocknen.



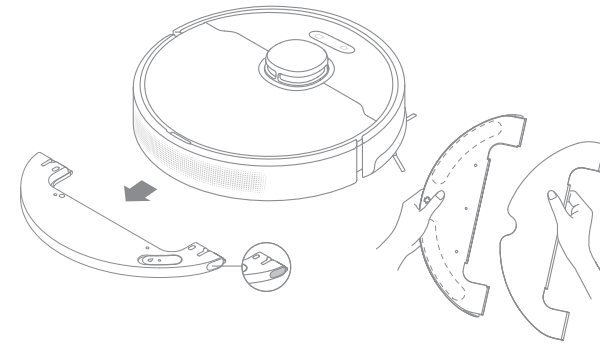
#### Hinweis:

- Den Filter nicht mit einer Bürste oder Finger reinigen.
- Spülen Sie den Staubbehälter nur mit sauberem Wasser aus. Verwenden Sie keine Reinigungsmittel.
- Verwenden Sie den Staubbehälter nur, wenn sie vollständig trocken sind.
- Es wird empfohlen, den Filter alle zwei Wochen zu reinigen und alle drei Monate auszutauschen.

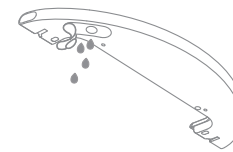
## Regelmäßige Wartung

### Wischmodul

1. Drücken Sie die Freigabetaste des Wischmoduls nach innen und ziehen Sie das Modul heraus. Ziehen Sie den Wischlappen vom Wischmodul ab.

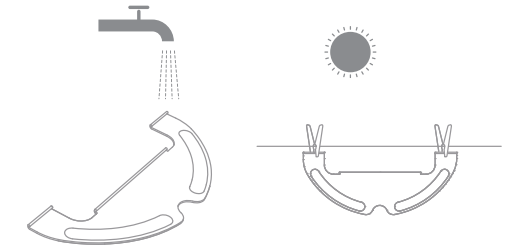


2. Entleeren Sie das Restwasser aus dem Wassertank und lassen Sie ihn an der Luft trocknen.



Hinweis: Setzen Sie den Tank keiner direkten Sonneneinstrahlung aus.

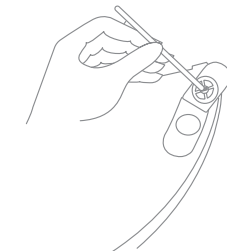
3. Die Wischlappen ausschließlich mit Wasser reinigen und vor Reinstallieren an der Luft trocknen lassen.



#### Hinweis:

- Nehmen Sie den Wischlappen vor der Reinigung aus dem Wischmodul heraus und stellen Sie sicher, dass das Schmutzwasser nicht in den Wasserauslass zurückfließt, um eine Verstopfung zu vermeiden.
- Für optimale Performanz wird empfohlen, das Wischer-Pad jede 3 bis 6 Monaten auszutauschen.

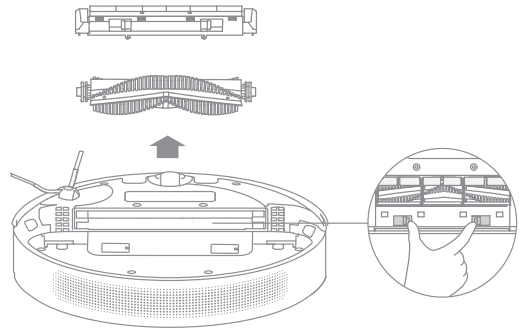
4. Falls eine langsamer Wasserdurchfluss auftritt bzw. das Wasservolumen nicht gut verteilt ist, reinigen Sie das Luftloch in der Abdeckung des Wassertanks.



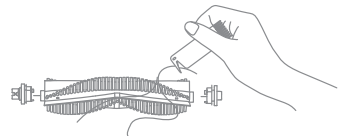
## Regelmäßige Wartung

### Hauptbürste reinigen

Drücken Sie die Clips zusammen, um die Bürstenabdeckung zu entfernen. Heben Sie dann die Bürste aus dem Roboter heraus.



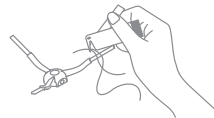
Ziehen Sie die Bürstenabdeckungen wie in der Abbildung gezeigt heraus. Verwenden Sie das mitgelieferte Reinigungswerkzeug, um die auf der Bürste verfangenen Haare zu entfernen.



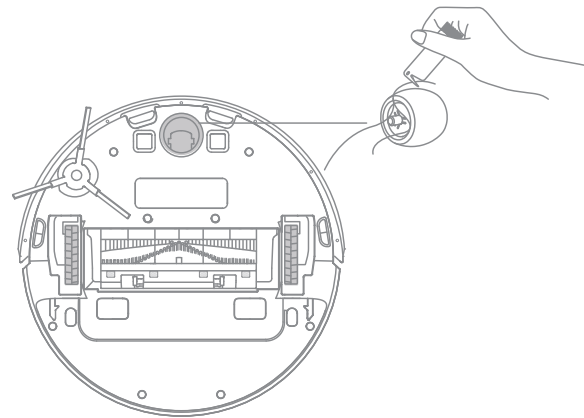
**Hinweis:** Ziehen Sie die in der Bürste verhedderten Haare nicht übermäßig heraus. Andernfalls kann die Hauptbürste beschädigt werden.

### Seitenbürste reinigen

Ziehen Sie die Seitenbürste aus und benutzen Sie die eingeschlossene Reinigungstool, um die Haare auf der Bürste zu entfernen.



### Das Haupttrand und das Universal-Rad reinigen

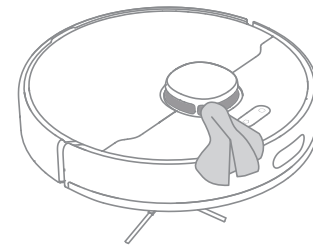


**Hinweis:** Verwenden Sie ein Werkzeug, z. B. einen kleinen Schraubendreher, um die Achse und den Reifen des Universalrads zu trennen. Wenden Sie keine übermäßige Kraft an.

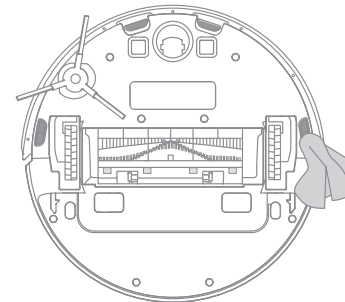
## Regelmäßige Wartung

**Hinweis:** Bitte verwenden Sie zur Reinigung ein trockenes Geschirrtuch, da der Roboter und das innere der Auto-Entleerungsbasis empfindliche Komponenten enthalten. Verwenden Sie keine nassen Spültücher, um durch Wasser verursachte Schäden zu vermeiden.

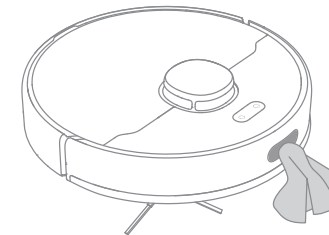
### Reinigen Sie den Laserdistanzsensor



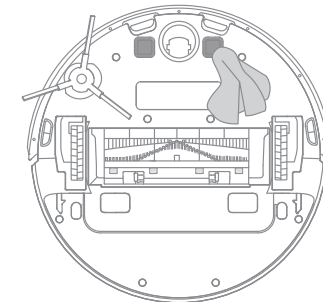
### Reinigen Sie die Absturz-Sensor



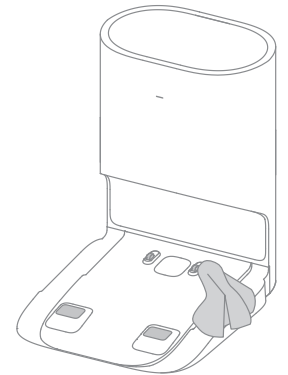
### Reinigen Sie die Ladestationsensor



### Reinigen Sie die Kontakte der Ladestation



### Reinigen Sie die Ladekontakte und den Staubaufnahme

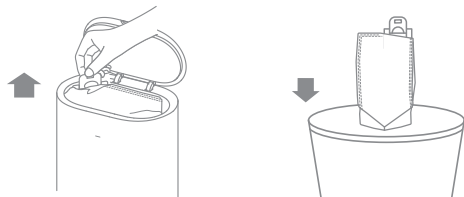


## Regelmäßige Wartung

### Wechseln Sie den Staubsammelbeutel

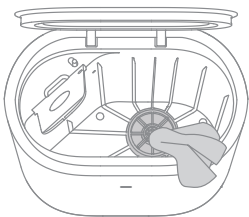
Wenn sich der Staubbeutel füllt, empfiehlt es sich, nach dem Anzeiger(wenn das orange Licht blinkt) oder dem Hinweis von der APP einen neuen Staubbeutel alle 4-6 Wochen zu wechseln.

1. Werfen Sie den Staubbeutel weg

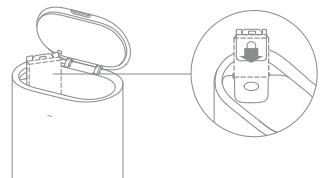


**Hinweis:** wenn Sie den Staubbeutel ausnehmen, machen Sie zuerst ihn zu, um Staub nicht auszuströmen.

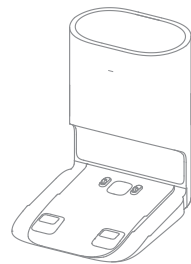
2. Räumen Sie den Filter auf



3. Installieren Sie einen neuen Staubbeutel



4. Schließen Sie die obere Abdeckung der Auto-Entleerungsbasis



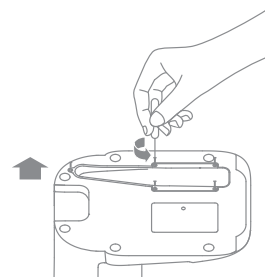
**Hinweis:** Schließen Sie die Auto-Entleerungsbasis nicht gewaltsam, wenn sich die obere Abdeckung der Auto-Entleerungsbasis nicht schließen lässt und der Staubsammelbeutel nicht installiert ist.

## Regelmäßige Wartung

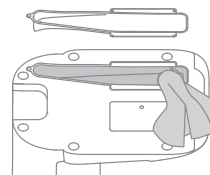
### Reinigen des Luftkanals

Wenn der Luftkanal verstopft ist, räumen Sie ihn nach folgenden Schritte auf.

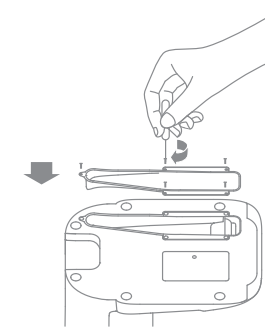
1. Schrauben Sie die Schraube des Deckels vom Luftkanal ab und nehmen Sie den Deckel ab.





2. Prüfen Sie, ob es Blockade gibt. Wenn ja, räumen Sie auf.



3. Installieren Sie nach dem Bild den Deckel zurück.



### Neustart des Roboters

Wenn der Roboter nicht mehr reagiert oder sich nicht mehr ausschalten lässt, halten Sie die Taste  10 Sekunden lang gedrückt, um eine Zwangsabschaltung durchzuführen. Drücken und halten Sie dann die Taste  3 Sekunden lang, um den Roboter wieder einzuschalten.

### Akku

Der Roboter enthält einen Hochleistungs-Lithium-Ionen-Akku. Bitte stellen Sie sicher, dass dieser bei täglicher Nutzung gut geladen ist, um die optimale Akkuleistung beizubehalten. Wenn der Roboter längere Zeit nicht benutzt wird, schalten Sie ihn aus und stellen Sie ihn weg. Um Schäden durch Tiefentladung zu vermeiden, sollte der Roboter mindestens einmal je drei Monate aufgeladen werden.

Verschiedene Lichteffekte bedeutet verschiedene Stände und Lösungen. Schauen Sie für mehr Informationen das Kapitel "FAQ" in diesem Handbuch.

Lichteffekt	mögliche Ursache	Lösung
ausgegangen	Keine Stromversorgung	Prüfen Sie, ob die Basis aufladen kann. Stellen Sie sicher, dass die Energieversorgung normal ist.
	Der Roboter in der DND-Periode Der Roboter mit voller Ladung im Schlafmodus	/
Weiß	Der Roboter nicht auf der Basis	/
Weißes Atemlicht	Der Roboter wird geladen	/
Blinkt Orange	Fehlerzustand	Prüfen Sie, ob der Staubbeutel installiert wird. Wenn nein, installieren Sie einen. Prüfen Sie, ob der Staubbeutel im richtigen Platz installiert wird.
		Prüfen Sie, ob der Deckel zu ist. Wenn nein, machen Sie den Deckel eng zu.
		Prüfen Sie, ob der Staubbeutel voll besetzt ist. Wenn ja, wechseln Sie einen anderen. Räumen Sie Staub herum um der Bodendüse des Roboters sowie der Basis auf.
		Schalten Sie die Auto-Entleerungsbasis ab und prüfen Sie den Boden der Basis, ob es Blockade im Deckel gibt. Wenn ja, räumen Sie rechtzeitig auf.
		Prüfen Sie, ob der Staubkasten schon im Apparat installiert worden ist. Wenn es andere Störfälle gibt, wenden Sie sich an fachliche Techniker.

Problemtyp	Lösung
Roboter lässt sich nicht einschalten	Wenn die Batterie ist knapp leer, laden Sie zuerst den Roboter auf der Basis. Probieren Sie danach noch einmal. Die Umgebungstemperatur ist zu niedrig (unter 0 ° C) oder zu hoch (über 40 ° C). Die Betriebstemperatur des Roboters liegt zwischen 0 ° C und 40 ° C.
Roboter lädt sich nicht auf	Die Auto-Entleerungsbasis ist nicht angeschlossen. Prüfen Sie bitte, ob die beiden Enden der Kabel gut eingesteckt worden sind. Schlechter Kontakt. Räumen Sie bitte die Aufladung zwischen der Basis und dem Roboter.
Der Apparat kann nicht auf die Basis zurückkehren.	Es gibt zu viel Hindernisse um der Basis. Setzen Sie die Basis ins Offene. Bitte reinigen Sie den Signalisierungsbereich der Auto-Entleerungsbasis. Das Bewegen des Roboters kann dazu führen, dass er sich neu positioniert oder seine Umgebung neu abbildet. Wenn der Roboter zu weit von der Auto-Entleerungsbasis entfernt ist, kann er möglicherweise nicht automatisch von selbst zurückkehren; in diesem Fall müssen Sie den Roboter manuell auf die Basis setzen.
Roboter arbeitet nicht einwandfrei	Schalten Sie den Roboter aus und dann wieder an.
Roboter gibt ein merkwürdiges Geräusch ab	Ein Fremdkörper könnte sich in der Hauptbürste, Seitenbürste oder einem der Räder verfangen haben. Schalten Sie den Roboter aus und entfernen Sie eventuell vorhandenen Schmutz.
Der Roboter reinigt nicht mehr wirksam, oder er hinterlässt Staub	Der Staubbehälter ist voll. Bitte reinigen Sie den Staubbehälter und die Staubaufnahme. Der Filter ist verstopft. Bitte reinigen Sie ihn. Ein Fremdkörper hat sich in der Hauptbürste verfangen. Bitte reinigen Sie diese.

Problemtyp	Lösung
Roboter kann nicht mit dem WLAN verbinden	<p>Es besteht ein Problem mit der WLAN-Verbindung. Setzen Sie das WLAN zurück und laden Sie die neuste Version der Dreamehome/Mi Home/Xiaomi Home-APP herunter. Versuchen Sie dann erneut, eine Verbindung herzustellen.</p> <p>Die Standortberechtigung ist nicht aktiviert. Bitte stellen Sie sicher, dass die Standortberechtigung auf der Dreamehome/Mi Home/Xiaomi Home-APP geöffnet ist.</p> <p>Das WLAN-Signal ist schwach. Stellen Sie sicher, dass der Roboter sich in einem Bereich mit gutem WLAN-Empfang befindet.</p> <p>WLAN mit 5 GHz wird nicht unterstützt. Bitte stellen Sie sicher, dass Ihr Roboter mit einem 2,4 GHz WLAN verbunden ist.</p> <p>Der Benutzername oder das Kennwort des WLAN ist falsch. Bitte stellen Sie die korrekte Eingabe des Benutzernamens und Kennworts sicher.</p>
Der Roboter führt die geplante Reinigung nicht aus	Der Akkustand ist niedrig. Die geplanten Reinigungsvorgänge werden erst nach Aufladen des Geräts durchgeführt.
Verbraucht es Strom, den Roboter auf der Auto-Entleerungsbasis zu lassen, wenn er bereits voll geladen ist?	Wenn Sie den Roboter auf der Auto-Entleerungsbasis belassen, nachdem er vollständig aufgeladen wurde, verbraucht er nur sehr wenig Strom und trägt dazu bei, die optimale Akkuleistung zu erhalten.
Aus dem Wisch-Modul kommt kein oder nur sehr wenig Wasser heraus	<p>Vergewissern Sie sich, dass der Wassertank mit Wasser gefüllt ist, und reinigen Sie das Wischer-Pad, falls erforderlich.</p> <p>Reinigen Sie den Mopp, wenn er schmutzig wird.</p> <p>Vergewissern Sie sich, dass der Wischlappen entsprechend Gebrauchsanleitung korrekt angebracht ist.</p> <p>Das Luftloch auf dem Wassertank reinigen.</p>
Der Roboter nimmt die Reinigung nach dem Aufladen nicht wieder auf	<p>Vergewissern Sie sich, dass der Roboter sich nicht im Nicht-Stören-Modus befindet, denn dieser verhindert eine Fortsetzung der Reinigung.</p> <p>Der Roboter nimmt die Reinigung nicht wieder auf, wenn er manuell aufgeladen oder auf die Auto-Entleerungsbasis gestellt wird.</p>

Problemtyp	Lösung
Roboter kehrt zur Auto-Entleerungsbasis zurück, ohne Staubsammelaufgaben durchzuführen.	Der Modus "Nicht stören" verhindert, dass der Roboter automatisch Staubsammelaufgaben durchführt.
Der Staubsammelbeutel ist voll.	Prüfen Sie, ob der Staubsammelbeutel voll ist. Wenn ja, ersetzen Sie ihn durch einen neuen. Es wird empfohlen, den Beutel alle 4-6 Wochen zu ersetzen. Wenn nicht, prüfen Sie, ob die Staubaufnahme oder der Luftkanal an der Unterseite der Basis verstopft ist. Entfernen Sie jede Verstopfung vor der Verwendung.
Die Staubsammeldauer kann manchmal inakzeptabel lang sein.	Wenn der Roboter über einen längeren Zeitraum Staubsammelaufgaben durchgeführt hat oder wenn der Luftkanal nicht reibungslos funktioniert, wird die Staubsammeldauer verlängert, um eine Verstopfung zu verhindern.
Die obere Abdeckung der Basis lässt sich nicht schließen	Prüfen Sie, ob der Staubbeutel installiert wird. Wenn nein, installieren Sie einen.



## Roboter

Modell	RLS3D
Batterie	5200 mAh (Nennkapazität der Batterie)
Ladedauer	Ca. 6 Stunden
WLAN-Verbindung	Wi-Fi IEEE 802,11b/g/n 2,4 GHz
OS-Kompatibilität	Android 4,4 oder iOS 10,0 und höher
Nennspannung	14,4 V $\overline{\text{---}}$
Bemessungsleistung	46 W
Betriebsfrequenz	2400-2483,5 MHz
Maximale Ausgangsleistung	< 20 dBm

## Auto-Entleerungsbasis

Modell	RCS7
Nenneingang	220-240 V ~ 50-60 Hz
Nennausgang	19,8 V $\overline{\text{---}}$ 1 A
Bemessungsleistung	600 W

Unter normalen Einsatzbedingungen muss dieses Gerät einen Abstand von mindestens 20 cm zwischen der Antenne und dem Körper des Benutzers einhalten.

## WEEE-Informationen



Alle mit diesem Symbol gekennzeichneten Produkte sind Elektroschrott und Elektrogeräte (WEEE entsprechend EU-Richtlinie 2012/19/EU) und dürfen nicht mit unsortiertem Haushaltsmüll vermischt werden. Schützen Sie stattdessen Ihre Mitmenschen und die Umwelt, indem Sie Ihre zu entsorgenden Geräte an eine dafür vorgesehene, von der Regierung oder einer lokalen Behörde eingerichtete Sammelstelle zum Recycling von Elektroschrott und Elektrogeräten bringen. Eine ordnungsgemäße Entsorgung und Recycling helfen, negative Auswirkungen auf die Gesundheit von Umwelt und Menschen zu vermeiden. Wenden Sie sich bitte an den Installateur oder lokale Behörden, um Informationen zum Standort und den allgemeinen Geschäftsbedingungen solcher Sammelstellen zu erhalten.

## Informations sur la sécurité

## Restrictions d'utilisation

- Ce produit peut être utilisé par des enfants d'au moins 8 ans (inclus) et des personnes atteintes de déficiences physiques, sensorielles ou intellectuelles, ou possédant des connaissances ou une expérience limitées, à condition qu'ils soient sous la surveillance d'un adulte ou d'un tuteur légal afin d'assurer une utilisation sûre et d'éviter tout risque d'accident. Les enfants ne doivent pas effectuer le nettoyage et l'entretien sans surveillance.
- Les enfants ne doivent pas jouer avec ce produit. Pendant le nettoyage, assurez-vous que les enfants et les animaux de compagnie sont maintenus à une distance de sécurité du robot aspirateur.
- Ce produit est uniquement destiné au nettoyage des sols dans un environnement domestique. Ne l'utilisez pas à l'extérieur, sur des surfaces autres que des sols ou dans un environnement commercial ou industriel.
- N'utilisez pas le robot dans une zone située au-dessus du niveau du sol sans barrière de protection.
- Ne placez pas le robot à l'envers. N'utilisez pas le couvercle du LDS, le couvercle du robot ou le pare-chocs comme poignée pour déplacer le robot.
- N'utilisez pas le robot dans des environnements où la température ambiante est supérieure à 40° C ou inférieure à 0 ° C, ni sur un sol avec des liquides ou des substances collantes.
- Retirez tous les câbles au sol avant d'utiliser le robot pour éviter qu'il ne les entraîne dedans pendant le nettoyage.

## Informations sur la sécurité

### Restrictions d'utilisation

- Retirez tous les objets fragiles ou de petite taille au sol afin d'éviter que le robot ne les percute ou ne les endommage.
- Maintenez vos cheveux, vos doigts et les autres parties de votre corps éloignés de l'orifice d'aspiration du robot.
- Conservez l'outil de nettoyage de brosse hors de la portée des enfants.
- Ne mettez pas d'enfants, d'animaux ou d'objets sur le robot, qu'il soit à l'arrêt ou en mouvement.
- N'utilisez pas le robot pour nettoyer des objets brûlants.
- N'aspirez pas d'objets durs ou tranchants.
- Assurez-vous que le robot est éteint et que la base auto-videuse est débranchée avant d'effectuer le nettoyage ou l'entretien.
- N'utilisez pas de chiffon humide pour essuyer ou de liquide pour rincer le robot et la base. Les pièces lavables doivent être complètement séchées avant d'être installées et utilisées.
- Veuillez utiliser ce produit conformément aux instructions du Mode d'emploi. Les utilisateurs sont responsables des pertes ou dommages résultant d'une mauvaise utilisation de ce produit.

### Batteries et charge

- N'utilisez pas de batterie, de chargeur ou de base auto-videuse tiers. N'utiliser que l'unité d'approvisionnement RCS7.
- N'essayez pas de démonter, réparer ou modifier vous-même la batterie ou la base auto-videuse.

## Informations sur la sécurité

### Batteries et charge

- Ne placez pas la base auto-videuse d'une source de chaleur.
- N'utilisez pas de chiffon humide, ni vos mains mouillées, pour essuyer ou nettoyer les contacts de la base auto-videuse.
- Ne jetez pas vos batteries usagées de façon incorrecte. Les batteries inutilisées doivent être jetées aux centres de recyclage appropriés.
- Si le cordon d'alimentation est endommagé ou rompu, cessez immédiatement de l'utiliser et contactez le service après-vente.
- Dans la mesure du possible, assurez-vous que le robot est éteint lorsque vous le transportez et rangez-le dans son emballage d'origine.
- Si vous ne prévoyez pas d'utiliser le robot pendant une période prolongée, chargez-le complètement, éteignez-le, puis entreposez-le dans un endroit frais et sec. Rechargez le robot au moins une fois tous les 3 mois pour éviter un déchargement excessif de la batterie.
- Ce produit contient des batteries qui ne peuvent être remplacées que par des techniciens qualifiés ou par le service après-vente.

### Capteur de distance laser

- Le capteur de distance laser est conforme à la norme CEI 60825-1:2014 relative aux produits laser de classe 1 et ne génère pas de rayonnement laser dangereux.

Con la presente, Dreame Trading (Tianjin) Co., Ltd. dichiara che l'apparecchiatura radio di tipo RLS3D è conforme alla Direttiva 2014/53/UE. Il testo completo della dichiarazione di conformità UE è disponibile al seguente indirizzo Internet : <https://global.dreametech.com>

Pour obtenir un manuel électronique détaillé, rendez-vous sur le site <https://global.dreametech.com/pages/user-manuals-and-faqs>

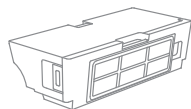
## Présentation du produit

### Accessoires

#### Accessoires préinstallés



Brosse principale



Bac à poussière

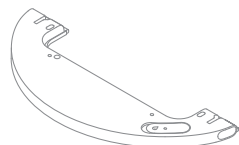


Outil de nettoyage

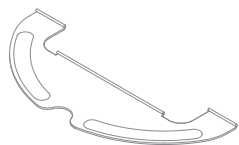


Sac de poussière x2  
(1 pré-installé)

#### Autres accessoires



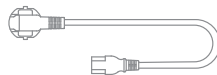
Réservoir d'eau



Serpillère



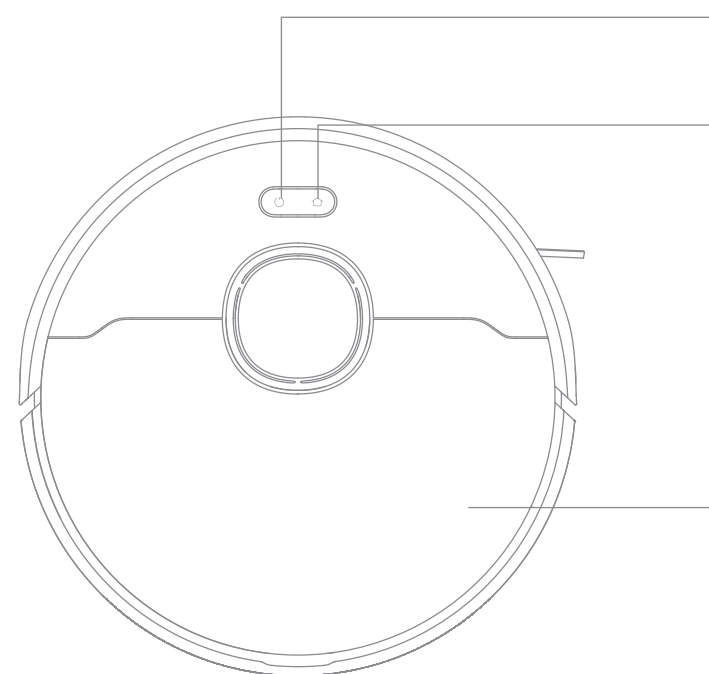
Brosse latérale



Câble d'alimentation

## Présentation du produit

### Robot



#### Bouton d'alimentation/nettoyage

- Maintenir le bouton enfoncé pendant 3 secondes
- Nettoyer : appuyer pour commencer le nettoyage une fois que le robot est mis sous tension

#### Bouton de station/Nettoyage Concentré

- Appuyer pour renvoyer le robot à la station de charge
- Appuyez brièvement pour lancer le mode Spot Clean (nettoyage concentré)

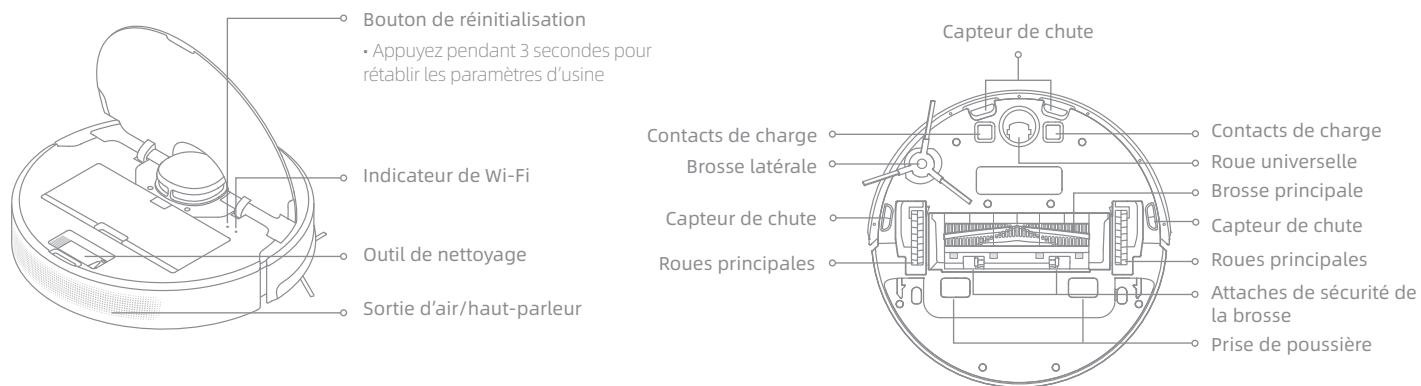
#### Indicateur d'état

- **Blanc** : nettoyage en cours ou terminé
- **Clignotant orange** : erreur
- **Respiration blanche** : Le robot est en charge lorsque la batterie n'est pas faible

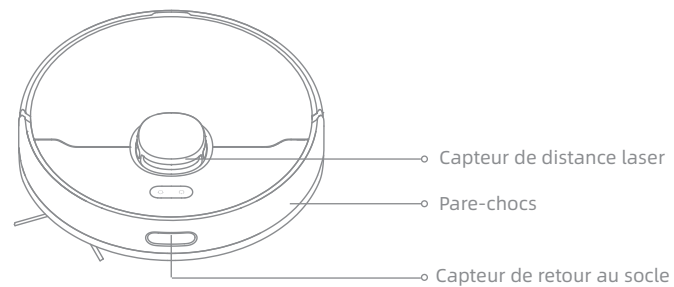
#### Couvercle

## Présentation du produit

### Robot

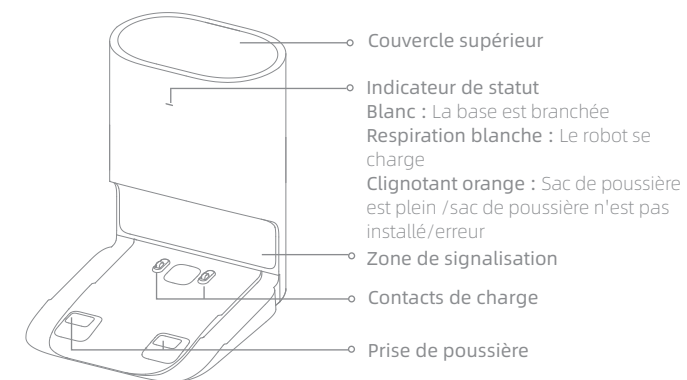


### Capteurs du robot

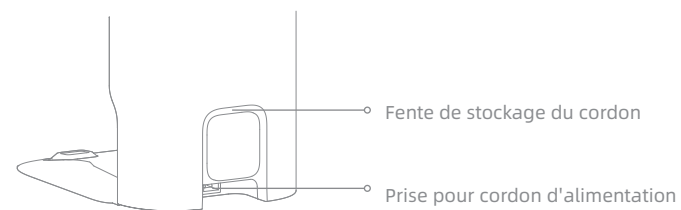


## Présentation du produit

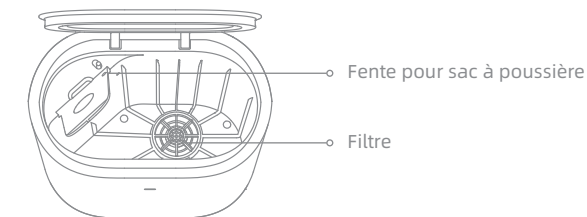
### Base auto-videuse



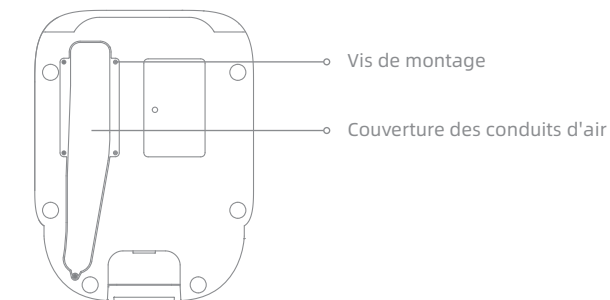
### Retour



### Ouvrez le couvercle supérieur

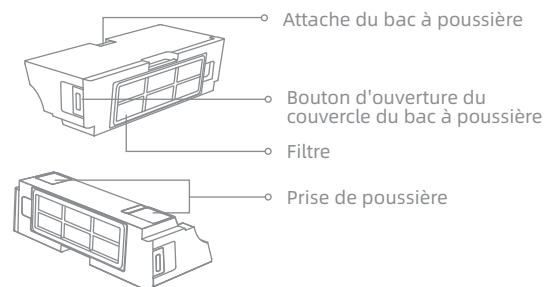


### En bas

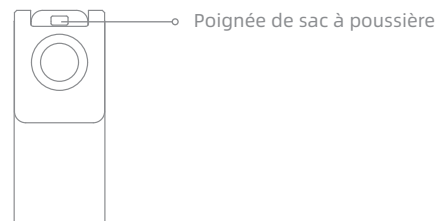


## Présentation du produit

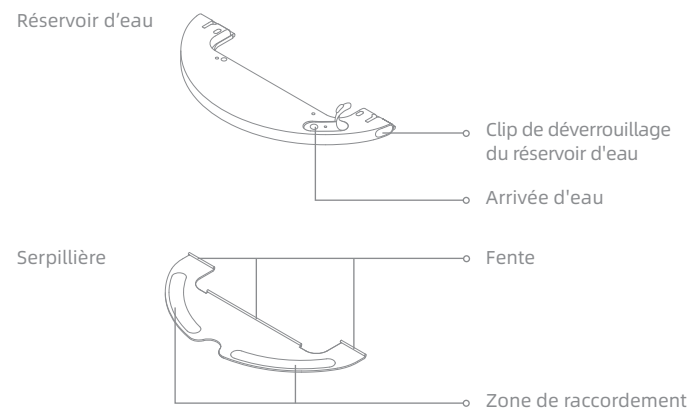
### Bac à poussière



### Sac de poussière

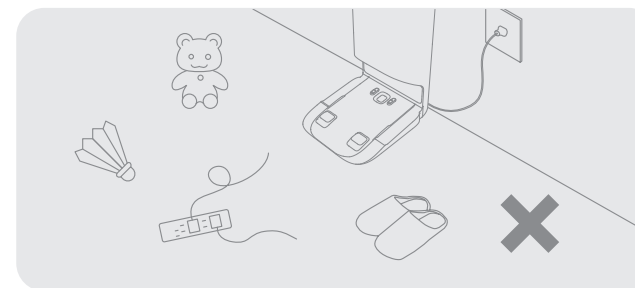


### Module de nettoyage

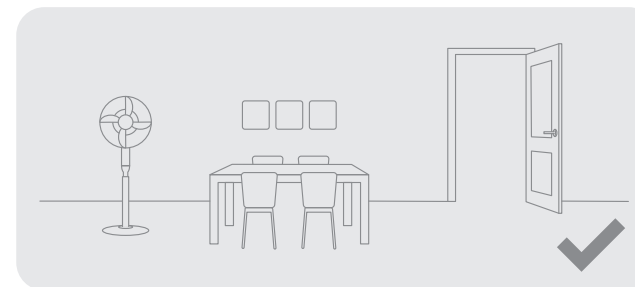


**Remarque :** En raison du réglage en usine, un nouveau sac de collecte de poussière a déjà été installé à l'intérieur.

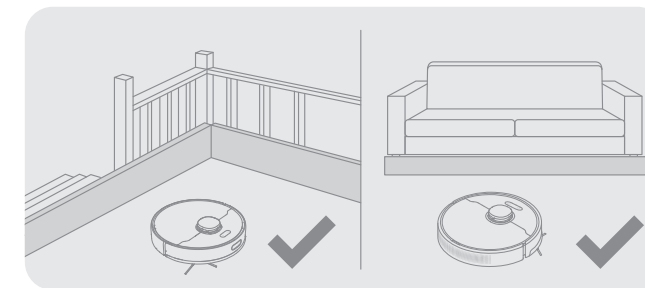
## Nettoyage domestique



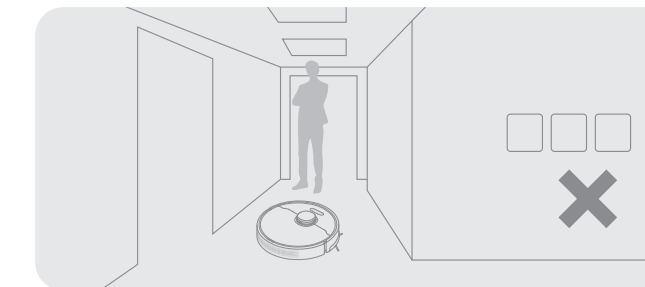
Rangez les fils répandus sur le sol, les chiffons, les pantoufles, les jouets pour enfants, etc., pour améliorer l'efficacité du travail de votre robot.



Ouvrez la porte de la pièce à nettoyer, et rangez les meubles dans un endroit approprié pour faire plus de place.



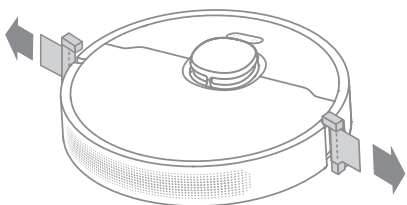
Veuillez utiliser des clôtures physiques pour éviter les zones suspendues ou basses avant le nettoyage afin d'assurer la sécurité et le bon fonctionnement du robot.



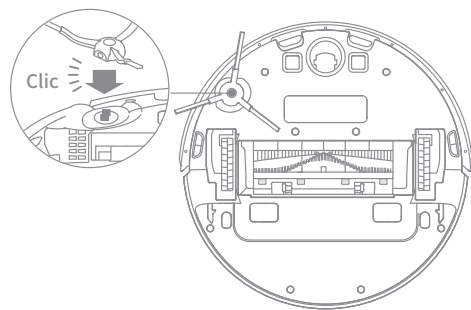
Pour éviter que le robot ne reconnaisse pas la zone à nettoyer, ne restez pas devant le robot, sur le palier, dans le couloir ou dans les endroits étroits.

## Préparation avant utilisation

### 1. Retirez les bandes de protection



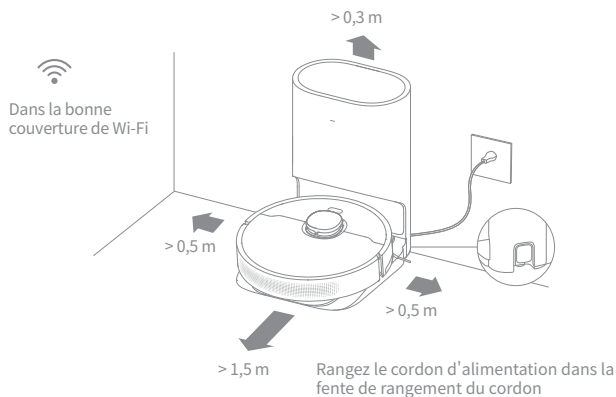
### 2. Installer la brosse latérale



Remarque : La brosse latérale est installée lorsque vous entendez un clic.

### 3. Brancher sur une prise de courant

Placez la base sur un sol plat contre le mur et branchez l'alimentation. Placez le robot sur la base pour le recharger. Le robot va s'allumer alors automatiquement et se rechargera. Il est recommandé de le charger pleinement avant la première utilisation.



#### Remarque :

- Assurez-vous qu'il y a une distance de 0,5 mètre ou plus de chaque côté de la base, et une distance de plus de 1,5 mètre devant celle-ci.
- Assurez-vous qu'aucun objet ne puisse bloquer la zone de signalisation.

#### Infos sur la base auto-vidieuse

Il est recommandé que le robot parte de la base avant le nettoyage. Cela permet de s'assurer que le robot y retourne en douceur. Ne déplacez pas la base pendant que le robot est en train de nettoyer.

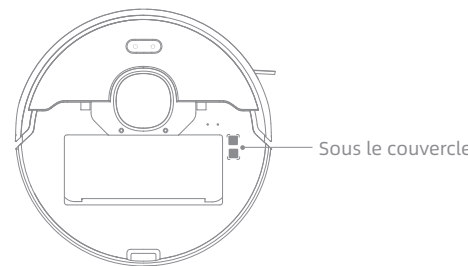
Une fois que le robot a terminé la tâche de nettoyage et revient automatiquement à la base, cette dernière commencera à se vider automatiquement. Vous pouvez effectuer d'autres réglages sur l'APP.

## Connexion avec l'application Dreamehome/Mi Home/Xiaomi Home

Ce produit fonctionne avec l'application Dreamehome/Mi Home/Xiaomi Home. Choisissez une pour contrôler votre appareil.

### 1. Téléchargez l'application Dreamehome/Mi Home/Xiaomi Home

Scannez le code QR sur le robot, ou recherchez "Dreamehome", "Mi Home" ou "Xiaomi Home" dans la boutique d'applications pour télécharger et installer l'application en fonction de vos besoins.



### 2. Ajouter un appareil

Mi Home/Xiaomi Home APP : Ouvrez l'application Mi Home/Xiaomi Home app, appuyez sur "+" en haut à droite, et scannez à nouveau le code QR ci-dessus pour ajouter "Dreame Bot D10 Plus". Suivez les instructions pour réussir la connexion Wi-Fi.

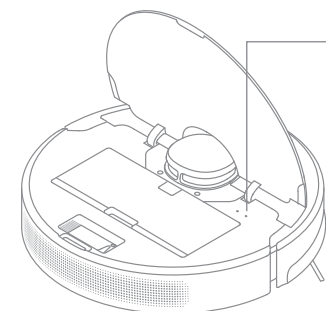
Dreamehome APP : Ouvrez l'application Dreamehome, appuyez sur "+" en haut à droite pour accéder à la page "Ajouter un appareil", puis sélectionnez "Dreame Bot D10 Plus". Suivez les instructions pour réussir la connexion Wi-Fi.

#### Remarque :

- Seul le Wi-Fi 2,4GHz est pris en charge.
- La version de l'application pourrait avoir été mise à jour. Suivez les instructions en fonction de la version actuelle de l'application.

### 3. Réinitialiser le Wi-Fi

Maintenez simultanément les touches et enfoncées jusqu'à ce que vous entendiez le message « En attente de la configuration réseau ». Lorsque le voyant du Wi-Fi clignote lentement, le Wi-Fi a été réinitialisé avec succès.





#### Indicateur de Wi-Fi

- Clignote lentement : En recherche de connexion
- Clignote rapidement : connexion en cours
- Fixe : Wi-Fi connecté


Remarque : lorsque votre téléphone ne parvient pas à se connecter au robot, réinitialisez le Wi-Fi et ajoutez à nouveau l'appareil.

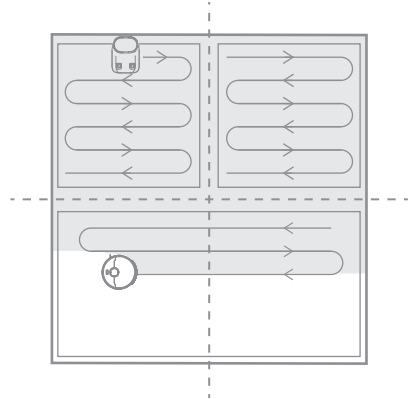
## Mode d'utilisation

### 1. Allumer/éteindre

Appuyez sur le bouton  et maintenez-le enfoncé pendant 3 secondes pour allumer le robot. Lorsque le voyant d'alimentation devient blanc, le robot est en mode veille. Pour éteindre le robot, appuyez sur le bouton  pendant 3 secondes lorsque le robot est à l'arrêt.

### 2. Commencer le nettoyage

Appuyez brièvement sur le bouton  pour mettre le robot en marche. Une fois activé, le robot tracera un itinéraire précis, nettoiera méthodiquement les bords et les murs, puis terminera en nettoyant chaque pièce en forme de S pour assurer un travail minutieux.



### 3. Mode nettoyage

Quatre modes de nettoyage sont disponibles sur l'application Dreamehome/Mi Home/Xiaomi Home : silencieux, standard, fort et turbo. Le mode Standard est défini par défaut.

### 4. Pause/Mode Veille


**Pause :** Appuyez sur n'importe quel bouton pour suspendre le nettoyage du robot.

**Mode veille :** Le robot passera automatiquement en mode Veille après 10 minutes d'inactivité, puis les voyants d'alimentation et de charge s'éteindront. Pour réveiller le robot, appuyez sur n'importe quel bouton.

Remarque :

- Le robot s'éteint automatiquement s'il reste en mode veille pendant plus de 12 heures.
- Lorsque le robot est en pause, vous mettez fin au nettoyage en cours si vous le remplacez sur la base.

### 5. Mode Nettoyage ponctuel

Lorsque le robot est en pause ou en mode veille, appuyez sur le bouton  pendant 3 secondes pour activer le mode Nettoyage ponctuel. Dans ce mode, il nettoiera une surface carrée (1,5 x 1,5 m) autour de lui. Une fois le nettoyage ponctuel terminé, le robot retournera automatiquement à sa position initiale et s'éteindra.

Remarque : L'activation du mode Nettoyage ponctuel mettra fin au nettoyage en cours du robot.

### 6. Plus de fonctionnalités concernant l'APP

L'application peut être utilisée pour mettre en place des fonctions avancées telles que le nettoyage d'une pièce sélectionnée, le nettoyage d'une zone, l'interdiction d'approcher une zone/mur virtuel, etc.

Remarque :

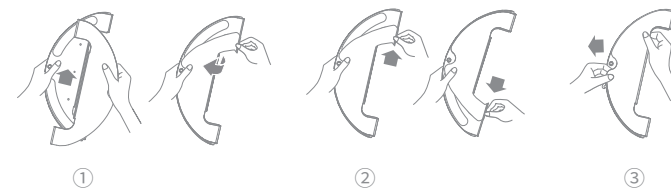
- Suivez les instructions sur l'interface de l'APP pour utiliser plus de fonctions.
- La version de l'application pourrait avoir été mise à jour, veuillez suivre les instructions de la version actuelle de l'application.

## Mode d'utilisation

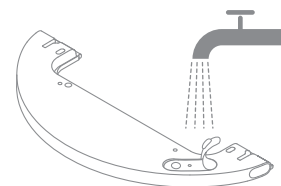
### 7. Utilisation de la fonction de nettoyage

Il est recommandé de passer l'aspirateur au moins trois fois sur tous les sols avant la première session de nettoyage afin d'obtenir un meilleur effet de nettoyage.


1) Humidifiez la serpillière et essorez de l'eau. Insérez-la dans la fente du réservoir d'eau comme indiqué sur la figure, et collez fermement la serpillière.

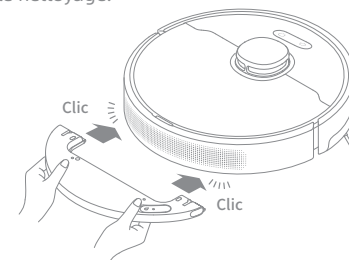


2) Ouvrez le couvercle du réservoir d'eau, remplissez le réservoir avec de l'eau, puis fermez bien le couvercle.



Remarque : N'utilisez pas de produits de nettoyage ou de désinfectants.

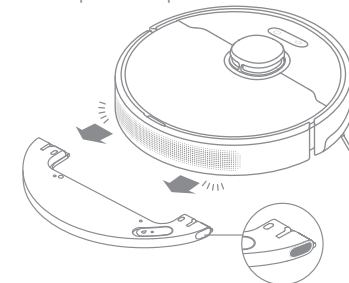
3) Alignez le module de nettoyage en suivant la flèche, puis faites-le glisser à l'arrière du robot jusqu'à ce que vous entendiez le clic. Appuyez sur le bouton  ou utilisez l'application Dreamehome/Mi Home/Xiaomi Home pour commencer le nettoyage.



Remarque :

- Il n'est pas recommandé d'utiliser la fonction de nettoyage sur les tapis.
- Utilisez l'application pour ajuster le débit d'eau selon vos besoins.

4) Appuyez sur les deux clips latéraux vers l'intérieur et faites glisser le réservoir d'eau vers l'arrière pour le séparer du robot.

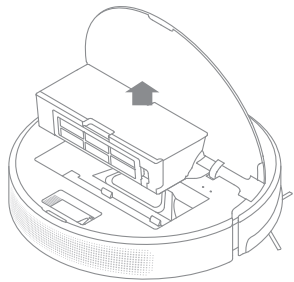


Remarque : Lorsque le robot est en train de se charger ou n'est pas en cours d'utilisation, retirez le module de nettoyage, videz toute l'eau restante du réservoir et nettoyez la serpillière pour éviter toute moisissure ou odeur persistante.

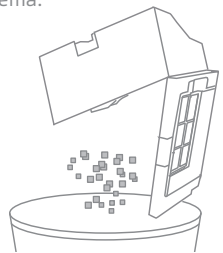
## Maintenance de routine

### Bac à poussière \* Nettoyez-les après chaque utilisation

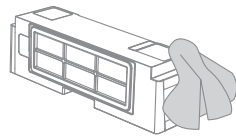
1. Ouvrez le couvercle du robot, puis pincez les clips du bac à poussière pour le retirer.



2. Ouvrez le couvercle du bac et videz le bac comme indiqué sur le schéma.

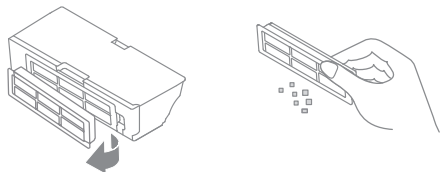


3. Nettoyer l'entrée de poussière

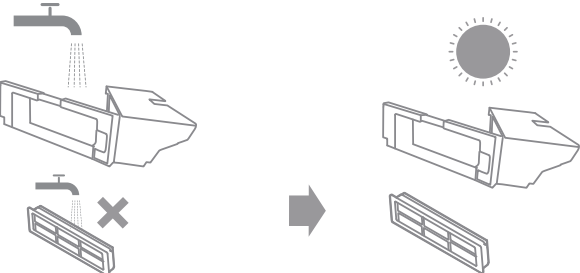


### Filtre

1. Retirez le filtre et tapez doucement sur son panier.



2. Ne lavez pas le filtre. Seul le collecteur à poussière est lavable. Séchez-le soigneusement avant de le réinstaller.



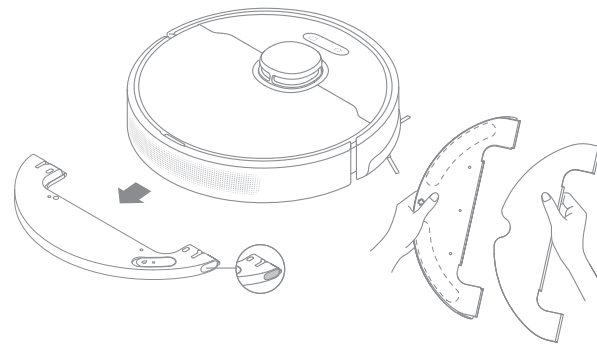
#### Remarque :

- N'essayez pas de nettoyer le filtre avec une brosse ou vos doigts.
- Rincez le bac à poussière à l'eau claire uniquement. N'utilisez pas de détergent.
- N'utilisez le bac à poussière que lorsqu'ils sont complètement secs.
- Veuillez nettoyer le filtre toutes les deux semaines et de le remplacer tous les trois mois.

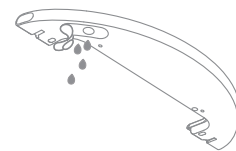
## Maintenance de routine

### Module de nettoyage

1. Appuyez sur les deux clips de dégagement situés du côté du réservoir d'eau, retirez le module de lavage et retirez le tampon de lavage du module de lavage.

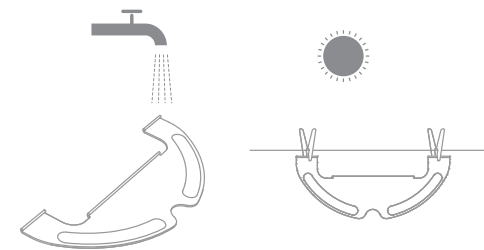


2. Videz l'eau restante du réservoir d'eau et laissez-le sécher naturellement avant de le réinstaller.



Remarque : Ne pas exposer le réservoir directement au soleil.

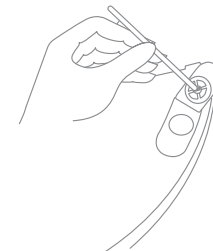
3. Nettoyez la serpillière, puis séchez-la.



#### Remarque :

- Retirez la serpillière du module de lavage avant de la nettoyer et assurez-vous que l'eau sale ne retourne pas vers la sortie d'eau afin d'éviter tout colmatage.
- Pour des performances optimales, il est recommandé de remplacer la serpillière tous les 3 à 6 mois.

4. Si vous remarquez que l'eau coule lentement ou que le volume n'est pas bien réparti, veuillez nettoyer le trou d'aération sur le couvercle du réservoir d'eau.

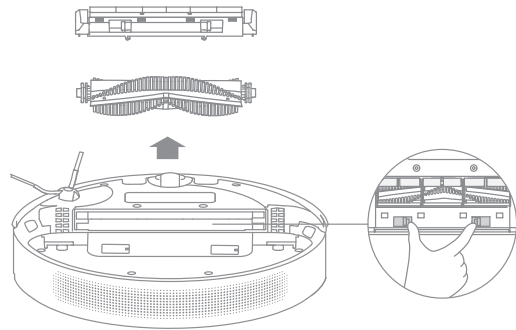




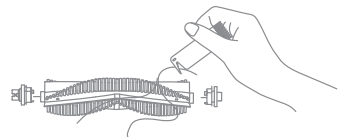
## Maintenance de routine

### Nettoyez la brosse principale

Appuyez sur les clips de protection de la brosse vers l'intérieur pour retirer la protection de la brosse et faites sortir la brosse du robot.



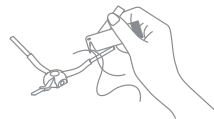
Sortez les protections de la brosse comme indiqué sur le schéma. Utilisez l'outil de nettoyage fourni pour enlever les poils coincés sur la brosse.



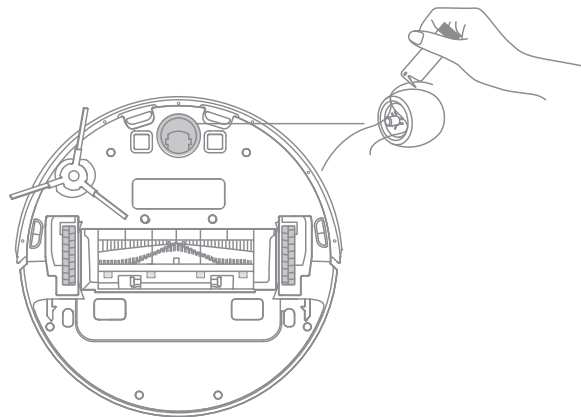
**Remarque :** Ne tirez pas excessivement fort sur les cheveux emmêlés dans la brosse. Sinon, la brosse principale risque d'être endommagée.

### Nettoyer la brosse latérale

Sortez les brosses latérales et utilisez l'outil de nettoyage fourni pour retirer les poils emmêlés sur la brosse.



### Nettoyez la roue principale et la roue universelle

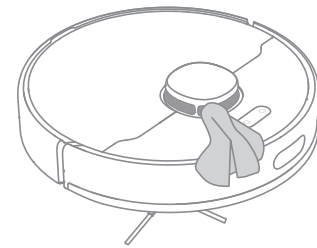


**Remarque :** Utilisez un outil tel qu'un petit tournevis pour séparer l'essieu et le pneu de la roue universelle. Ne le faites pas de force brute.

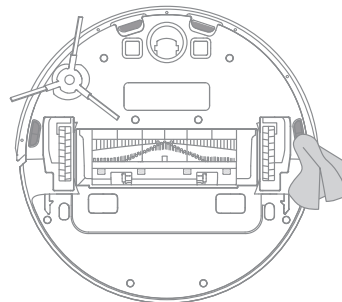
## Maintenance de routine

**Remarque :** Veuillez utiliser un torchon sec pour le nettoyage, l'eau pouvant endommager certains éléments sensibles à l'intérieur du robot et de la base.

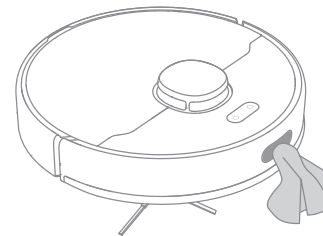
### Nettoyez le capteur de distance laser



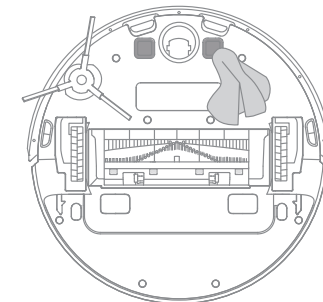
### Nettoyer le capteur de chute



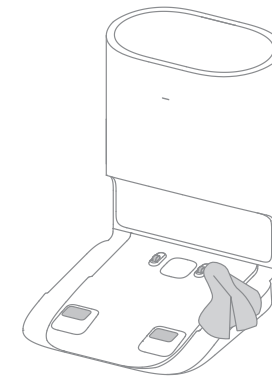
### Nettoyez le capteur de retour au socle



### Nettoyez le contact de charge



### Nettoyer les contacts de charge et l'entrée des poussières

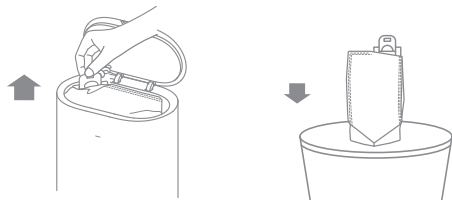


## Maintenance de routine

### Remplacer le sac de collecte des poussières

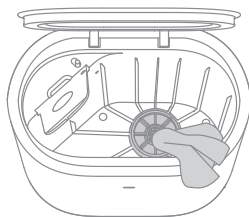
Selon l'indicateur d'état (orange clignotant) et les invites de l'application, remplacez-le par un nouveau lorsque le sac de collecte de la poussière est plein. Il est recommandé de remplacer le sac toutes les 4 à 6 semaines.

1. Jetez le sac de collecte des poussières

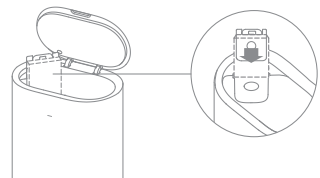


**Remarque :** lorsque vous sortez le sac à poussière, fermez la poignée du sac à poussière pour éviter que la poussière ne s'échappe.

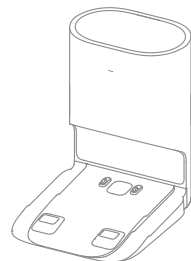
2. Essuyez le filtre avec un chiffon sec



3. Installer un nouveau sac de collecte des poussières



4. Fermez le couvercle supérieur de la base auto-vidieuse



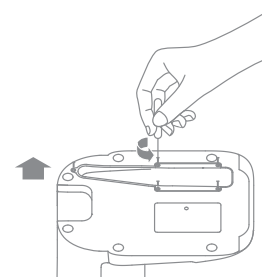
**Remarque :** Ne fermez pas la base avec force, si le sac de poussière n'est pas installé et le couvercle supérieur de la base ne peut pas être fermé.

## Maintenance de routine

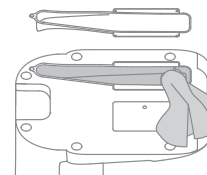
### Nettoyer le conduit d'air

Si le conduit d'air est obstrué, veuillez le nettoyer en suivant les étapes suivantes.

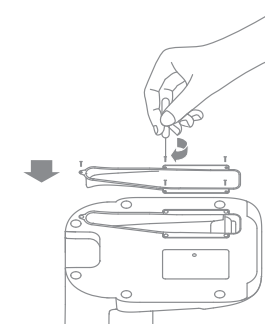
1. Dévissez les vis de fixation du couvercle du conduit d'air et retirez la plaque de couverture.





2. Vérifiez si le conduit d'air est bloqué par des objets étrangers. S'il y en a, nettoyez-les.



3. Réinstallez le couvercle du conduit d'air comme indiqué sur le schéma.



### Redémarrage du robot

Si le robot ne répond plus ou s'il est impossible de l'éteindre, appuyez sur le bouton  pendant 10 secondes pour forcer la mise hors tension. Après cela, appuyez sur le bouton  pendant 3 secondes pour rallumer le robot.

### Batterie

Le robot contient une batterie lithium-ion haute performance. Veuillez vous assurer qu'il reste bien chargé pendant l'utilisation quotidienne pour garantir une performance optimale de la batterie. Si le robot n'est pas utilisé pendant une longue période, éteignez-le et rangez-le. Afin qu'il ne soit pas endommagé en raison d'une décharge excessive, le robot doit être rechargé au moins une fois tous les trois mois.

Le tableau suivant énumère les causes et les solutions possibles en fonction des différents états lumineux. Pour plus d'informations, veuillez vous référer à la section "FAQ" de ce manuel.

État de lumière	Cause possible	Solution
Désactivé	Sans l'alimentation électrique	Vérifiez et assurez-vous que l'alimentation électrique de la base est normale.
	Le robot en période de DND Le robot avec une charge complète en mode veille	/
Blanc	Le robot n'est pas sur la base	/
Respiration blanche	Le robot en charge	/
Clignotant orange	Erreur	Vérifiez si un sac de collecte des poussières est installé. Si ce n'est pas le cas, installez-en un. Vérifiez si le sac de collecte des poussières est installé.
		Vérifiez si le couvercle supérieur est fermé. Si ce n'est pas le cas, fermez bien le couvercle supérieur.
		Vérifiez si le sac est plein. Si c'est le cas, remplacez-le. Enlevez les débris autour de l'entrée de poussière du robot et de la base.
		Débranchez le cordon d'alimentation de la base, et vérifiez si des objets étrangers bloquent le couvercle du conduit d'air. S'il y en a, nettoyez-les.
		Vérifiez si la poubelle du robot est installée. Pour toute autre erreur, contactez des techniciens qualifiés ou le service après-vente.

Type de problème	Solution
Le robot ne s'allume pas	Le niveau de la batterie est faible. Rechargez le robot à la base, puis réessayez. La température ambiante est trop basse (inférieure à 0 ° C) ou trop élevée (supérieure à 40 ° C). La température de fonctionnement du robot est comprise entre 0 ° C et 40 ° C.
Le robot ne charge pas	La base ne reçoit pas de courant. Veuillez vérifier que les deux extrémités du cordon d'alimentation sont correctement branchées. Mauvais contact. Nettoyez les contacts de chargement de la base et du robot.
Le robot ne peut pas retourner à la base	Il y a trop d'obstructions autour de la base. Placez la base dans une zone plus ouverte. Veuillez nettoyer la zone de signalisation de la base. Si vous déplacez le robot, il risque de se repositionner ou de re-cartographier son environnement. Si le robot est trop éloigné de la base, il peut ne pas pouvoir revenir automatiquement de lui-même, auquel cas vous devez placer manuellement le robot sur la base.
Le robot ne fonctionne pas correctement	Éteignez-le robot, puis rallumez-le.
Le robot émet un bruit étrange	Un objet étranger est probablement coincé dans la brosse principale, la brosse latérale ou l'une des roues principales. Arrêtez le robot et enlevez les débris.
Le robot ne nettoie plus correctement ou n'élimine pas toute la poussière	Le bac à poussière est plein. Veuillez nettoyer la poubelle et la prise de poussière. Le filtre est obstrué. Veuillez le nettoyer. Un objet étranger est coincé dans la brosse principale. Veuillez la nettoyer.

Type de problème	Solution
Le robot ne peut pas se connecter au Wi-Fi	<p>Un problème avec la connexion Wi-Fi est survenu. Réinitialisez le Wi-Fi et téléchargez la dernière version de l'application Dreamehome/Mi Home/Xiaomi Home, puis essayez de vous reconnecter.</p> <p>Le système de localisation n'est pas activé. Veuillez vous assurer que le système de localisation de l'application Dreamehome/Mi Home/Xiaomi Home est activé.</p> <p>Le signal Wi-Fi est faible. Assurez-vous que le robot est dans une zone offrant un bon signal Wi-Fi.</p> <p>Le Wi-Fi à 5 GHz n'est pas pris en charge. Veuillez vous assurer que votre robot peut se connecter à un signal Wi-Fi 2,4 GHz.</p> <p>Le nom d'utilisateur ou le mot de passe du Wi-Fi est incorrect. Veuillez vous assurer que le nom d'utilisateur et le mot de passe saisis sont corrects.</p>
Le robot n'effectue pas le nettoyage programmé	Le niveau de batterie du robot est faible. Le nettoyage programmé ne commence pas tant que le robot ne dispose pas d'au moins 15 % de batterie.
Le fait de laisser le robot sur la base consomme-t-il de l'énergie s'il est déjà complètement chargé ?	Laisser le robot sur la base une fois qu'il est complètement chargé consomme très peu d'électricité et permet de maintenir une performance optimale de la batterie.
Peu d'eau, voire pas du tout ne sort du module de nettoyage ?	<p>Vérifiez que le réservoir d'eau est rempli et nettoyez la serpillière, le cas échéant.</p> <p>Nettoyez la serpillière si elle est sale.</p> <p>Assurez-vous que la serpillière est bien installée conformément au mode d'emploi.</p> <p>Nettoyez le trou d'air du réservoir d'eau.</p>
Le robot ne reprend pas le nettoyage après la charge	<p>Assurez-vous que le robot n'est pas en mode Ne pas déranger, car cela l'empêcherait de reprendre le nettoyage.</p> <p>Le robot ne reprend pas le nettoyage lorsqu'il est rechargé manuellement ou placé sur la base.</p>

Type de problème	Solution
Le robot retourne sur la base sans effectuer de tâches de dépoussiérage	Le mode "Ne pas déranger" empêche le robot d'effectuer automatiquement des tâches de dépoussiérage.
Le sac de dépoussiérage est plein	Vérifiez si le sac de collecte des poussières est plein. Si c'est le cas, remplacez-le par un nouveau sac. Il est recommandé de remplacer le sac toutes les 4 à 6 semaines. Si ce n'est pas le cas, vérifiez si l'entrée de poussière ou le conduit d'air au fond de la base est bloqué. Enlevez tout blocage avant l'utilisation.
La durée de dépoussiérage peut parfois être inacceptablement longue	Lorsque le robot a effectué des tâches de dépoussiérage pendant un certain temps, ou lorsque le conduit d'air ne fonctionne pas correctement, la durée de dépoussiérage sera prolongée pour éviter tout blocage.
Le couvercle supérieur du base ne peut pas être fermé	Vérifiez si un sac de collecte des poussières est installé. Si ce n'est pas le cas, installez-en un.

## Robot

Modèle	RLS3D
Batterie	5200 mAh (Capacité nominale de la batterie)
Temps de Charge	Environ 6 heures
Connectivité sans fil	Wi-Fi IEEE 802.11b/g/n 2,4 GHz
Compatibilité OS	Android 4,4 ou iOS 10,0 et ultérieur
Tension nominale	14,4 V ---
Puissance nominale	46 W
Fréquence de fonctionnement	2400-2483,5 MHz
Puissance maximale en sortie	< 20 dBm

## Informations DEEE



Tous les produits portant ce symbole deviennent des déchets d'équipements électriques et électroniques (DEEE dans la Directive européenne 2012/19/UE) qui ne doivent pas être mélangés aux déchets ménagers non triés. Vous devez contribuer à la protection de l'environnement et de la santé humaine en apportant l'équipement usagé à un point de collecte dédié au recyclage des équipements électriques et électroniques, agréé par le gouvernement ou les autorités locales. Le recyclage et la destruction appropriés permettront d'éviter tout impact potentiellement négatif sur l'environnement et la santé humaine. Contactez l'installateur ou les autorités locales pour obtenir plus d'informations concernant l'emplacement ainsi que les conditions d'utilisation de ce type de point de collecte.

## Base auto-vidéuse

Modèle	RCS7
Entrée nominale	220-240 V ~ 50-60 Hz
Sortie nominale	19,8 V --- 1 A
Puissance nominale	600 W

Dans des conditions normales d'utilisation, une distance d'au moins 20 cm entre l'antenne de cet équipement et le corps de l'utilisateur doit être maintenue.

## Informazioni di sicurezza

## Restrizioni per l'utilizzo

- Questo prodotto può essere utilizzato da bambini a partire dagli 8 anni di età e da persone con handicap fisici, sensoriali e intellettivi oppure con un'esperienza o conoscenza limitate, sotto la supervisione di un genitore o tutore, al fine di garantirne un funzionamento sicuro ed evitare pericoli. I minori possono pulirlo ed effettuare la manutenzione solo se supervisionati.
- Non consentire ai bambini di giocare con questo prodotto. Assicurarsi che bambini e animali domestici siano a distanza di sicurezza dal robot mentre è in funzione.
- Questo prodotto deve essere usato solo per pulire i pavimenti di casa. Non va usato all'esterno, su superfici diverse dai pavimenti o in ambito commerciale o industriale.
- Non utilizzare il robot in un ambiente sospeso sopra il livello del suolo senza una barriera protettiva.
- Non posizionare il robot capovolto. Non usare la copertura LDS, la copertura del robot o il paraurti come maniglia per il robot.
- Non usare il robot a una temperatura ambiente oltre i 40 °C o al di sotto di 0°C o su pavimenti dove sono presenti liquidi o sostanze appiccicose.
- Togliere da terra eventuali cavi prima di utilizzare il robot, per evitare che vengano tirati durante la pulizia.
- Spostare dal pavimento gli oggetti fragili o piccoli per evitare che il robot li urti e li danneggi.
- Tenere lontani capelli, dita e altre parti del corpo dalla boccola di aspirazione

## Informazioni di sicurezza

### Restrizioni per l'utilizzo

- del robot.
- Tenere lo strumento per la pulizia della spazzola lontano dalla portata dei bambini.
- Non posizionare bambini, animali domestici o nessun altro oggetto sul robot, sia quando è fermo sia quando è in movimento.
- Non usare il robot per pulire eventuali sostanze infiammabili.
- Non usare l'aspirapolvere su oggetti duri e taglienti.
- Accertarsi che il robot sia spento e che la base auto-vuota sia scollegata prima di pulire o effettuare operazioni di manutenzione.
- Non usare un panno umido per strofinare o qualsiasi liquido per risciacquare il robot e la base. Le parti lavabili devono essere completamente asciugate prima di installarle e usarle.
- Utilizzare il prodotto seguendo le istruzioni fornite nel manuale utente. Gli utenti sono responsabili di eventuali perdite o danni derivanti dall'uso improprio dell'apparecchio.

### Batterie e Ricarica

- Non utilizzare batterie, alimentatori o base auto-vuota non originali. Utilizzare soltanto con l'unità di alimentazione RCS7.
- Non tentare di smontare, riparare o modificare la batteria o la base auto-vuota da soli.
- Non posizionare la base auto-vuota vicino a fonti di calore.

## Informazioni di sicurezza

### Batterie e Ricarica

- Non usare panni umidi o mani bagnate per strofinare o pulire i contatti della base auto-vuota.
- Non smaltire in modo improprio le batterie usate. Smaltire le batterie non più necessarie in appositi impianti di riciclaggio.
- Se il cavo di alimentazione viene danneggiato o è spezzato, interromperne immediatamente l'utilizzo e contattare il servizio di assistenza post-vendita.
- Accertarsi che l'robot sia spento durante il trasporto e conservarlo nella sua confezione originale, se possibile.
- Se l'robot non viene utilizzato per diverso tempo, ricaricarlo completamente, quindi spegnerlo e conservarlo in un posto fresco e asciutto. Ricaricare l'robot almeno una volta ogni 3 mesi per evitare uno scaricamento eccessivo della batteria.
- Questo prodotto contiene batterie che possono essere sostituite soltanto da tecnici qualificati o dal servizio di assistenza post-vendita.

### Sensore di Distanza Laser

- Il sensore di distanza laser è conforme allo standard IEC 60825-1:2014 per i prodotti laser di Classe 1 e non genera radiazioni laser pericolose.

Par la présente, Dreame Trading (Tianjin) Co., Ltd. déclare que cet équipement radio de type RLS3D est conforme à la Directive européenne 2014/53/UE. L'intégralité de la déclaration de conformité pour l'UE est disponible à l'adresse suivante: <https://global.dreametech.com>  
Il manuale elettronico dettagliato è disponibile all'indirizzo <https://global.dreametech.com/pages/user-manuals-and-faqs>

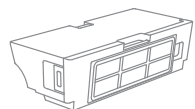
## Presentazione del prodotto

### Accessori

#### Accessori preinstallati



Spazzola principale



Raccogli-polvere

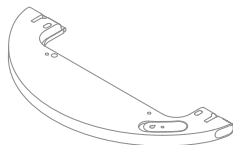


Strumento di pulizia

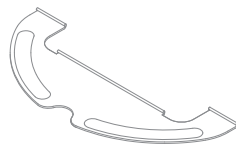


Sacchetto di Polvere x2  
(1 preinstallato)

#### Altri accessori



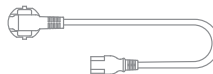
Serbatoio d'acqua



Panno di lavaggio



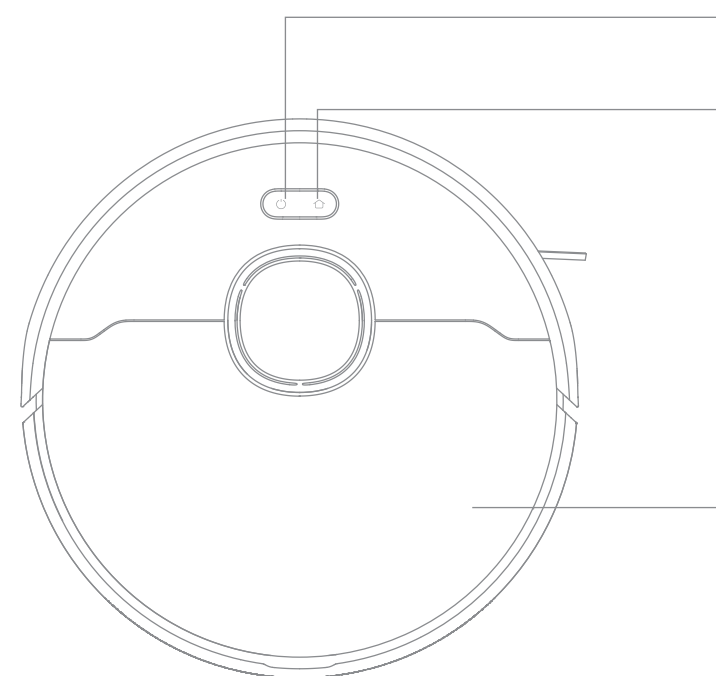
Spazzola laterale



Cavo di alimentazione

## Presentazione del prodotto

### Dispositivo principale



- Pulsante di accensione/spegnimento/pulizia
  - Tenere premuto per 3 secondi per accendere/spegnere
  - Premere il pulsante per iniziare a pulire dopo l'accensione del robot

- Ritorno in carica/Modalità di Pulizia Macchia
  - Premere il pulsante velocemente per attivare il ritorno in ricarica
  - Premere velocemente per attivare la modalità Pulizia Macchia

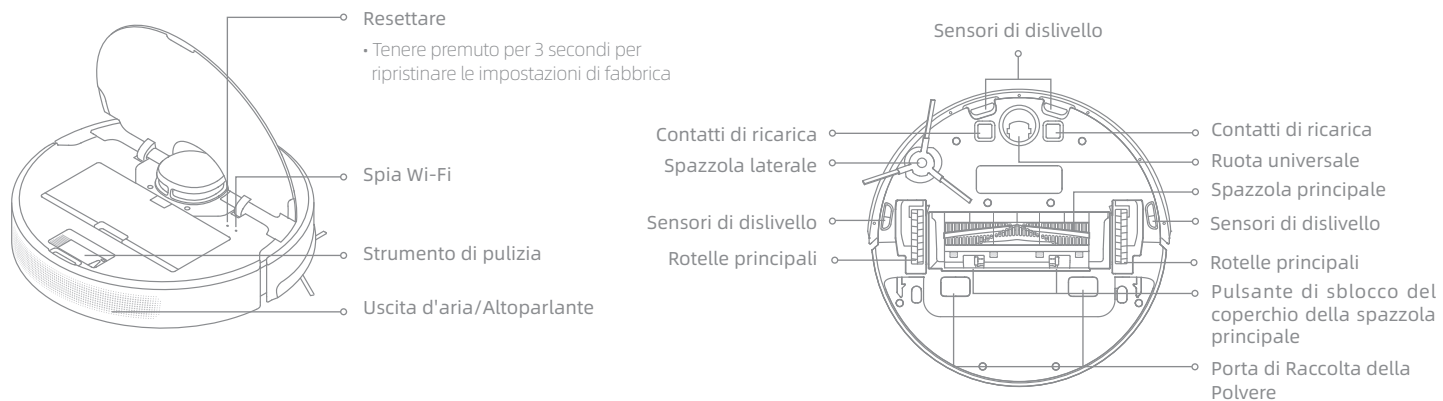
#### Indicatore di stato

- **Luce bianca fissa:** pulizia in corso o completa
- **Luce arancione lampeggia:** errore
- **Respirazione Bianca:** Il robot si sta ricaricando quando la carica della batteria non è bassa

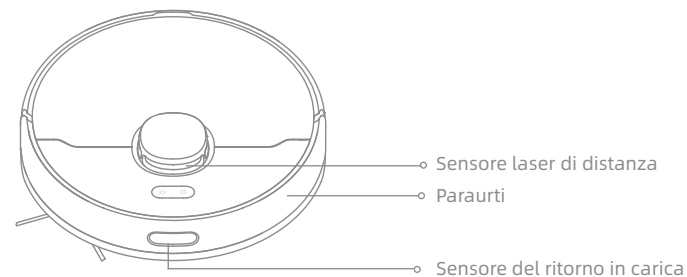
- Coperchio

## Presentazione del prodotto

### Dispositivo principale

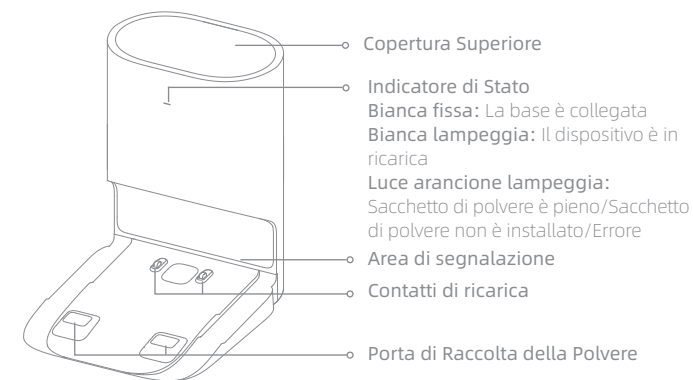


### Sensore del dispositivo principale

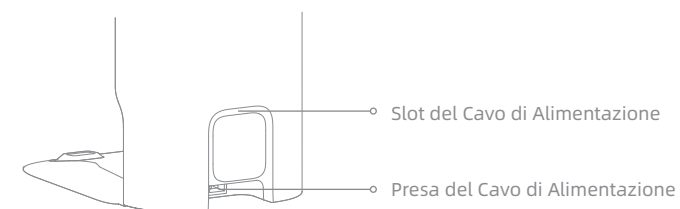


## Presentazione del prodotto

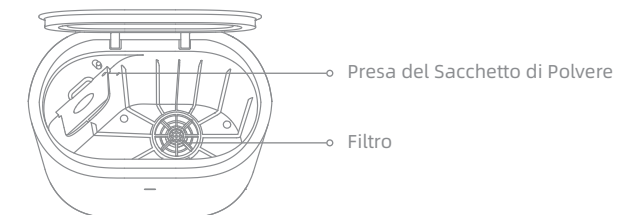
### Base auto-vuota



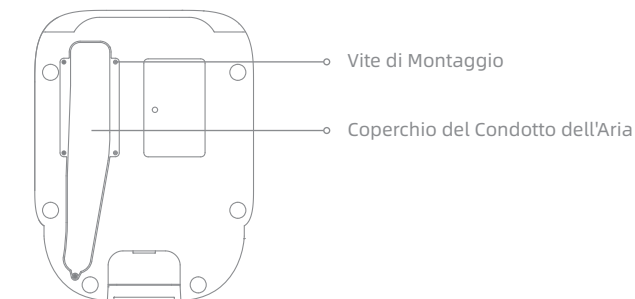
### Retro



### Aprire la copertura superiore



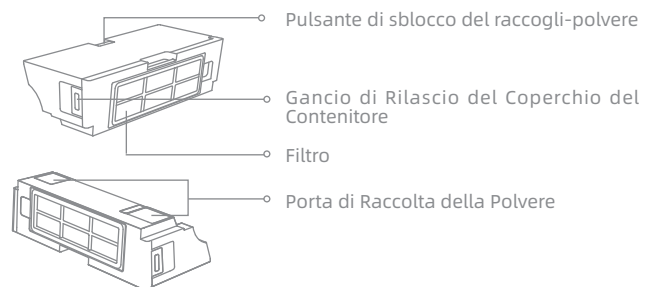
### Parte inferiore



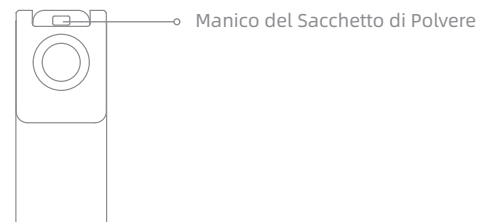


## Presentazione del prodotto

### Raccogli-polvere

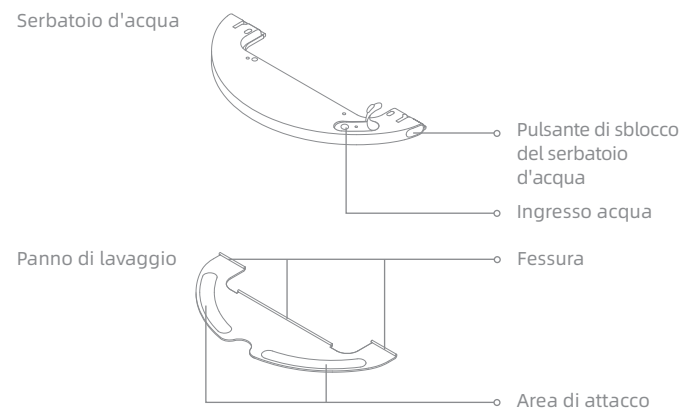


### Sacchetto di Polvere

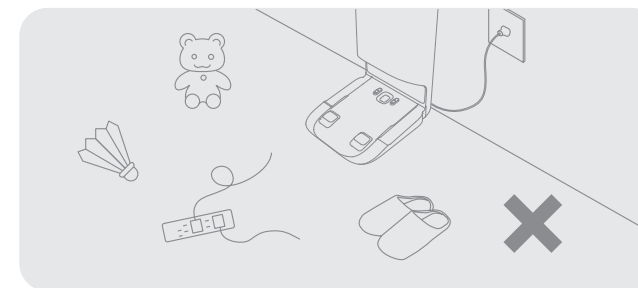


**Nota:** A causa dell'impostazione di fabbrica, all'interno è già stato installato un nuovo sacchetto di polvere.

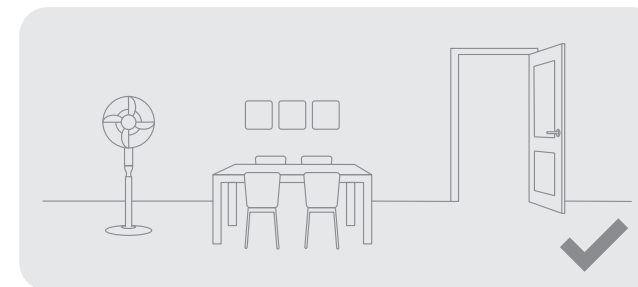
### Modulo di lavaggio



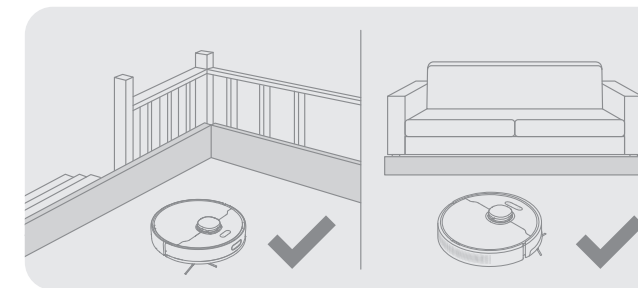
## Ordinare l'ambiente domestico



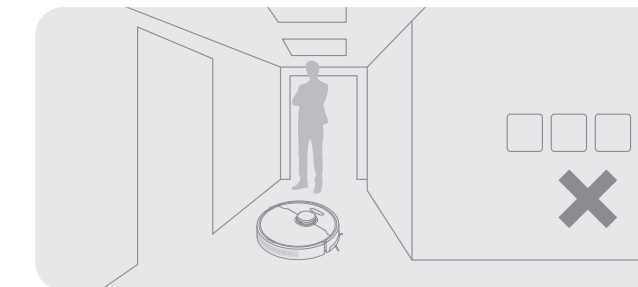
Per migliorare l'efficienza lavorativa del robot, mettere via eventuali cavi sciolti, stracci, pantofole, giocattoli, ecc.



Aprire la porta della zona da pulire e mettere i mobili in posizione ordinata per lasciare uno spazio sufficiente.



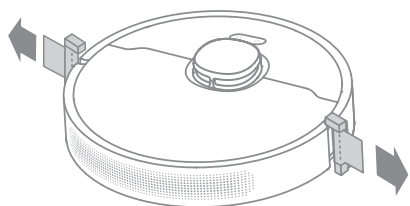
Prima della pulizia, utilizzare una barriera fisica sul bordo delle scale e del divano per garantire un funzionamento sicuro e regolare del robot.



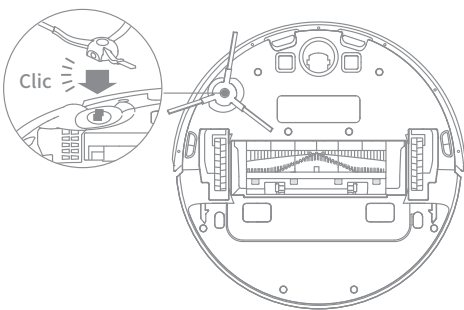
Per evitare che il robot non riconosca l'area da pulire, non sostare davanti al robot, alla soglia o al corridoio stretto.

## Preparazione prima dell'uso

### 1. Rimuovi le strisce protettive



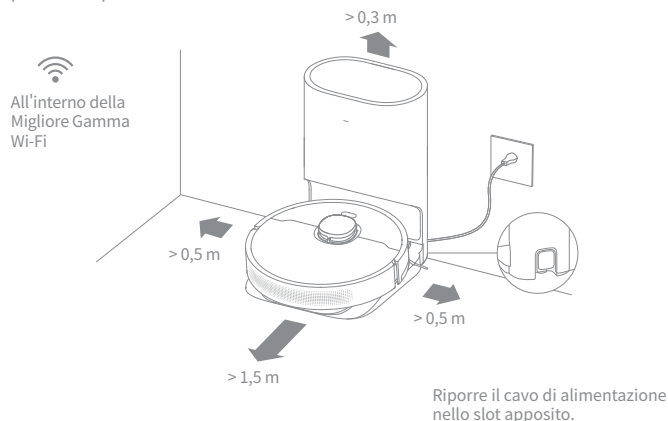
### 2. Installazione delle spazzole laterali



**Nota:** Installare la spazzola laterale fino a quando non risulterà fissata facendo clic.

### 3. Collegare a una presa di corrente

Posizionare la base sul pavimento a ridosso del muro e collegarla all'alimentazione. Posizionare il robot sulla base. Si accenderà e si ricaricherà automaticamente. Si consiglia di fare una ricarica completa prima del primo utilizzo.



#### Nota:

- Assicurarsi che non ci sia altri oggetti alla distanza di 0,5 metri su entrambi i lati e 1,5 metri alla parte anteriore della base.
- Assicurarsi che nessun oggetto possa bloccare l'area di segnalazione.

### Informazioni sulla base auto-vuota

Si consiglia di far partire il robot dalla base prima della pulizia. Ciò garantisce che il robot ritorni alla base senza problemi. Non spostare la base mentre il robot sta pulendo.

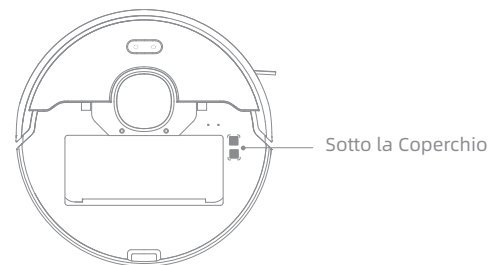
Dopo che il robot ha completato l'operazione di pulizia e torna automaticamente alla base, la base inizierà l'auto-svuotamento. È possibile utilizzare più impostazioni sull'APP.

## Connessione con l'app Dreamehome/Mi Home/Xiaomi Home

Questo prodotto funziona con l'app Dreamehome/Mi Home/Xiaomi Home, che può essere usata per controllare il tuo dispositivo.

### 1. Scaricare l'app Dreamehome/Mi Home/Xiaomi Home

Scansiona il codice QR sul robot o cerca "Dreamehome", "Mi Home" o "Xiaomi Home" nell'App Store per scaricare e installare l'app in base alle tue esigenze.



### 2. Aggiungi dispositivo

APP Mi Home / Xiaomi Home: apri il Mi Home / Xiaomi Home app, tocca "⊕" in alto a destra e scansiona nuovamente il codice QR sopra per aggiungere "Dreame Bot D10 Plus". Segui le istruzioni per terminare la connessione Wi-Fi.

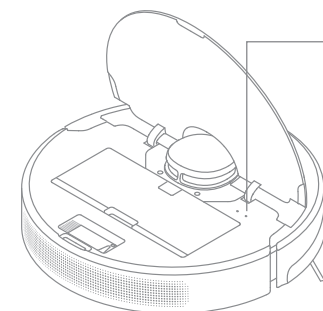
APP Dreamehome: Apri l'app Dreamehome, tocca "⊕" in alto a destra per andare alla pagina "Aggiungi dispositivo", quindi seleziona "Dreame Bot D10 Plus". Segui le istruzioni per terminare la connessione Wi-Fi.

#### Nota:

- La connessione Wi-Fi supporta solo il segnale su banda 2,4 GHz.
- Poiché la versione dell'app potrebbe essere stata aggiornata, seguire le istruzioni della versione dell'app corrente.

### 3. Ripristino della connessione Wi-Fi

Sollevare la copertura superiore per verificare la spia Wi-Fi, premere i pulsanti e fino al messaggio sonoro "Attesa configurazione della rete". L'indicatore Wi-Fi inizierà a lampeggiare lentamente al riconoscimento delle informazioni di rete.





#### Spia Wi-Fi

- **Lampeggia lentamente:** attende la connessione
- **Lampeggia velocemente:** si sta connettendo
- **Accesa:** Wi-Fi connesso


**Nota:** In caso di connessione non riuscita, ripristinare le informazioni Wi-Fi e aggiungere nuovamente il dispositivo.

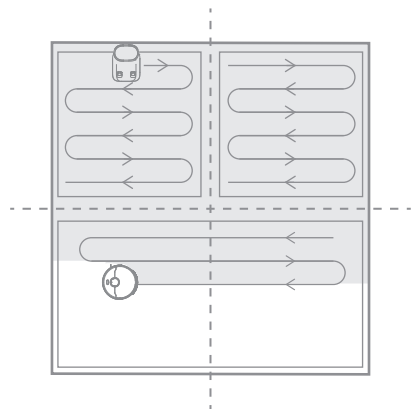
## Istruzioni utente

### 1. Accensione/Spegnimento

Premere il pulsante power  fino all'accensione della spia e il robot sarà in modalità di standby. A robot fermo, premere il pulsante  per 3 secondi per spegnerlo.

### 2. Avvio pulizia

Premere brevemente il pulsante  per accendere il robot. All'attivazione, il robot tratterà accuratamente un percorso, pulirà metodicamente lungo i bordi e le pareti, e poi finirà pulendo ogni stanza secondo uno schema a forma di S per garantire un lavoro completo.



### 3. Modalità di pulizia

Nell'app Dreamehome/Mi Home/Xiaomi Home sono disponibili quattro modalità di pulizia: Silenziosa, Standard, Alta potenza e Turbo. La modalità predefinita è quella Standard.


### 4. Pausa/Risparmio energetico

**Pausa:** premere qualsiasi pulsante per mettere in pausa il robot durante la pulizia.  
**Risparmio energetico:** il robot entrerà automaticamente in modalità Risparmio energetico dopo 10 minuti di inattività e gli indicatori di alimentazione e ricarica si spegneranno. Per riattivare il robot, premere un pulsante qualsiasi.

Nota:

- Il robot si spegnerà automaticamente se lasciato in modalità riposo per più di 12 ore quando non è in ricarica.
- Quando il dispositivo principale è in pausa, l'attività di pulizia terminerà se viene posizionato sulla base.

### 5. Modalità di Pulizia macchia

Quando il robot è in modalità di standby o in pausa, tenere premuto il pulsante  per 3 secondi per avviare la Pulizia Macchia. In questa modalità, verrà pulita un'area quadrata di 1,5 x 1,5 metri tutto intorno al robot. Quando la pulizia a macchia è stata conclusa, il robot tornerà automaticamente alla sua posizione originaria e si spegnerà.

Nota: Avviare la Pulizia Macchia quando il robot è in Pausa terminerà questa pulizia.

### 6. Più funzioni nell'app

L'app può essere usata per impostare funzioni avanzate come la pulizia di zone selezionate, pulizia di zone divise, la programmazione di zone e zone proibite/muri virtuali, ecc.

Nota:

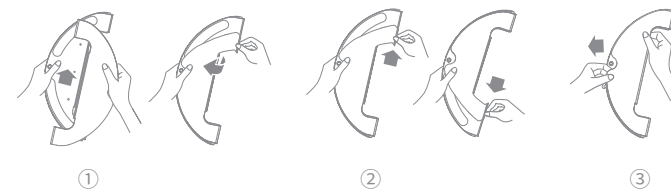
- Segui le istruzioni sull'interfaccia dell'app per l'utilizzo di queste funzioni.
- La versione dell'app potrebbe essere stata aggiornata e si prega di seguire le istruzioni che fanno riferimento alla versione corrente.

## Istruzioni utente

### 7. Usare la funzione di lavaggio

Si consiglia di procedere all'aspirazione del pavimento almeno tre volte prima della prima sessione di lavaggio per avere una migliore pulizia.


1) Inumidire il panno di lavaggio e strizzare l'acqua in eccesso. Inserire il panno di lavaggio nella fessura del serbatoio dell'acqua come mostrato in figura e incollarlo saldamente.

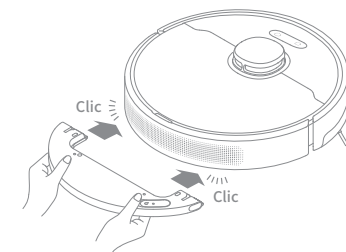


2) Aprire il coperchio del serbatoio d'acqua e riempire d'acqua.



Nota: Non utilizzare detersivi o disinfettanti.

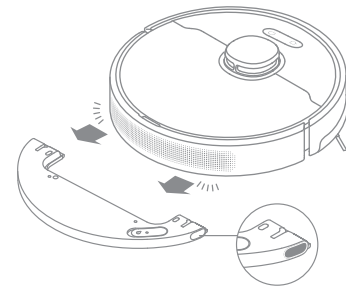
3) Installare il serbatoio nel dispositivo, e farlo scorrere fino in fondo finché non scatta in posizione con un "clic". Premere il pulsante  oppure utilizzare l'app Dreamehome/Mi Home/Xiaomi Home per avviare la pulizia.



Nota:

- Si sconsiglia usare la funzione di lavaggio sui tappeti.
- Usare l'app per regolare il flusso d'acqua a seconda della necessità.

4) Per rimuovere il serbatoio, premere i pulsanti di sblocco laterali verso l'interno e tirarlo all'indietro.

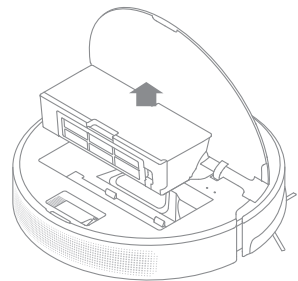


Nota: Quando il robot è in fase di ricarica o non è in uso, rimuovere il modulo di lavaggio, svuotare l'acqua rimasta nel serbatoio e pulire il panno di lavaggio al fine di evitare la formazione di muffe o odori persistenti.

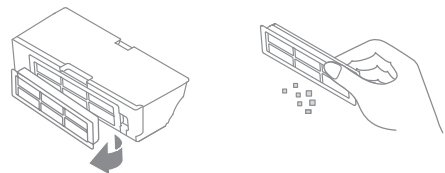
## Manutenzione quotidiana

### Raccogli-polvere \* Pulisci dopo ogni uso

1. Aprire il coperchio del dispositivo principale ed estrarre il raccogli-polvere tirandolo verso l'alto premendo il pulsante di sblocco.



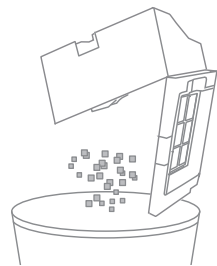
1. Rimuovere il filtro e tamponare leggermente i lati del filtro per rimuovere la polvere in eccesso.



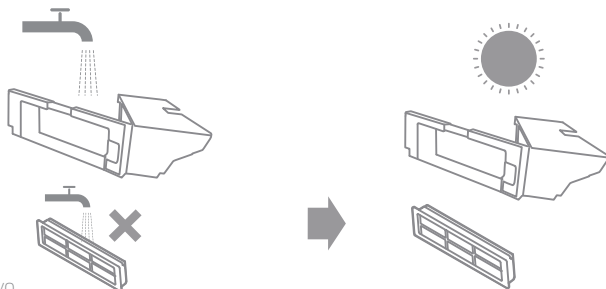
#### Nota:

- Non pulire il filtro con una spazzola o con le dita.
- Sciacqua il contenitore della polvere solo con acqua pulita. Non usare alcun detersivo.
- Usa il contenitore della polvere solo quando sono completamente asciutti.
- Si consiglia di pulire il filtro ogni due settimane e di sostituirlo ogni tre mesi.

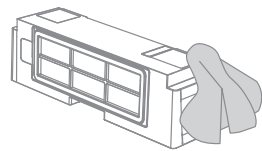
2. Aprire il coperchio del raccogli-polvere come indicato dalla freccia e svuotarlo.



2. Non lavare il filtro. Solo il contenitore della polvere è lavabile. Asciugalo accuratamente prima della reinstallazione.



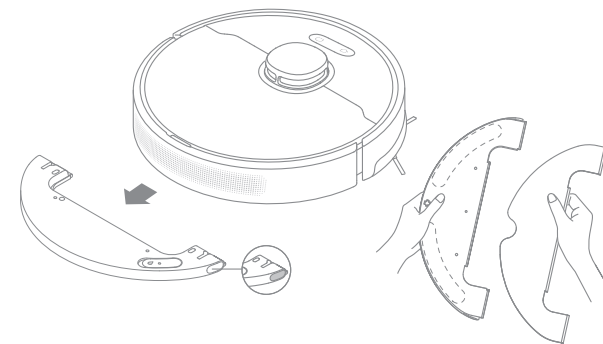
3. Pulire la porta di raccolta della polvere.



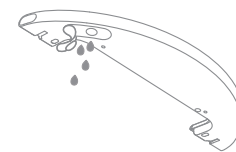
## Manutenzione quotidiana

### Modulo di lavaggio

1. Premere i pulsanti di sblocco laterali del serbatoio, tirare all'indietro il modulo di lavaggio e rimuovere il panno di lavaggio.

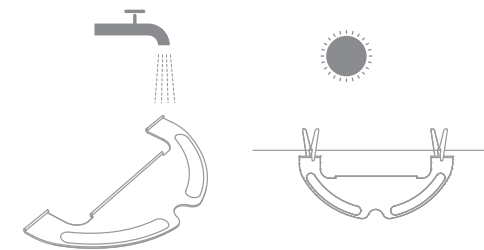


2. Svuotare l'acqua residua nel serbatoio d'acqua e lasciarlo asciugare naturalmente.



Nota: Non esporre il serbatoio alla luce diretta del sole.

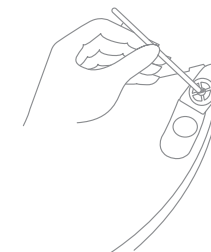
3. Pulire e far asciugare il panno di lavaggio.



#### Nota:

- Rimuovere il panno dal modulo prima di pulirlo, per evitare che l'acqua sporca ritorni nell'uscita d'acqua e causi intasamenti.
- Per una efficienza ottimale, si raccomanda di sostituire il panno ogni 3 o 6 mesi.

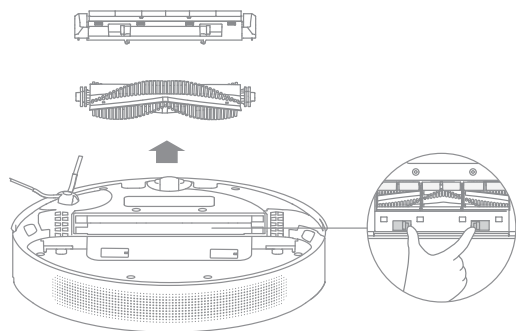
4. Se il flusso d'acqua non è regolare o è rallentato si prega di pulire la bocchetta d'aria sul coperchio del serbatoio.



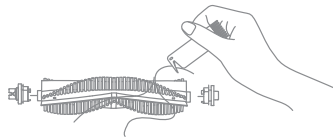
## Manutenzione quotidiana

### Pulizia della spazzola principale

Premere i pulsanti di sblocco laterali della protezione della spazzola principale e rimuovere la spazzola verso l'alto.



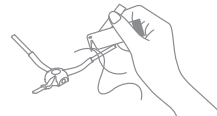
Rimuovere i coperchi della spazzola come indicato nell'illustrazione. Usare uno strumento di pulizia per tagliare i capelli aggrovigliati alla spazzola e il cuscinetto.



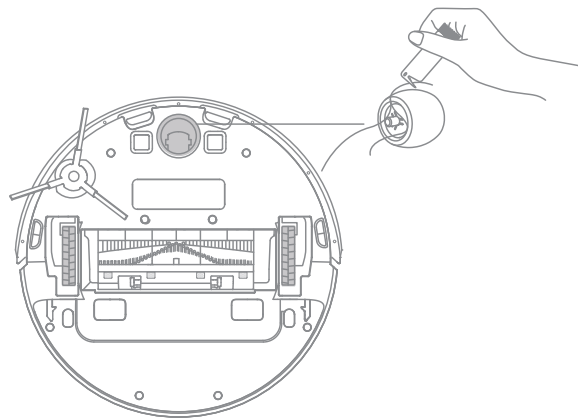
**Nota:** Se i capelli sono strettamente aggrovigliati alla spazzola non tirarli con forza per evitare di danneggiarla.

### Pulizia della spazzola laterale

Rimuovere le spazzole laterali e usare uno strumento di pulizia per rimuovere i capelli aggrovigliati alle spazzole.



### Pulizia della rotella principale e della ruota universale

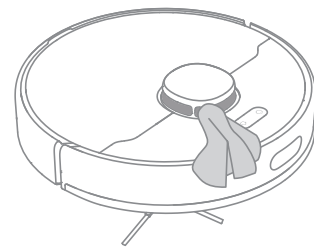


**Nota:** Usa uno strumento come un piccolo cacciavite per separare l'asse e il pneumatico della ruota universale. Non usare eccessivamente la forza.

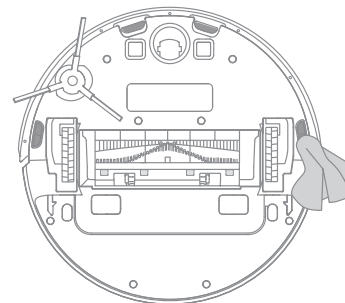
## Manutenzione quotidiana

**Nota:** Si prega di usare un panno asciutto per la pulizia, in quanto il dispositivo principale e l'interno della base contengono elementi sensibili. Non usare panni bagnati per evitare l'insorgere di danni causati dall'acqua.

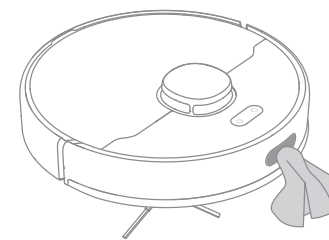
### Pulire il Sensore laser di distanza



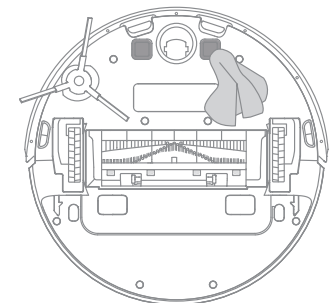
### Pulire il sensore di dislivello



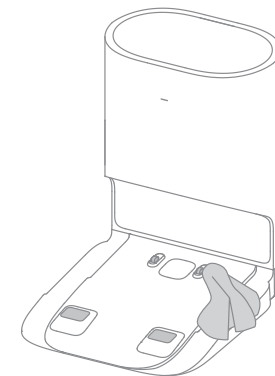
### Pulire il Sensore del ritorno in carica



### Pulire il contatto della carica



### Pulire i Contatti di Ricarica e la Porta di Raccolta della Polvere

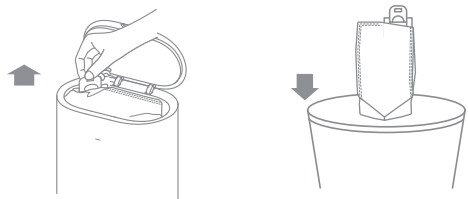


## Manutenzione quotidiana

### Sostituire il Sacchetto di Polvere

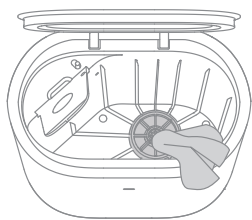
Secondo l'indicatore di stato (arancione lampeggiante) e le richieste dell'app, sostituirlo con uno nuovo quando il sacchetto di polvere è pieno. Si consiglia di sostituirlo ogni 4-6 settimane.

1. Buttare il sacchetto di polvere

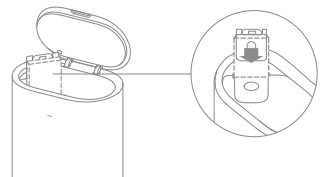


**Nota:** quando si estrae il sacchetto di polvere, la maniglia del sacchetto chiuderà il sacchetto per impedire efficacemente la fuoriuscita di polvere.

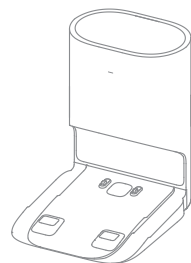
2. Pulire il filtro



3. Installare un nuovo sacchetto di polvere



4. Chiudere il coperchio superiore della base auto-vuota



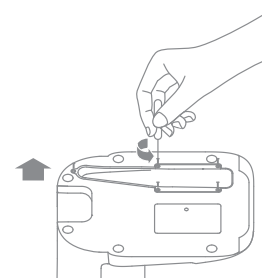
**Nota:** Non chiudere con forza la base se non è possibile chiudere il coperchio superiore della base e il sacchetto di polvere non è installato.

## Manutenzione quotidiana

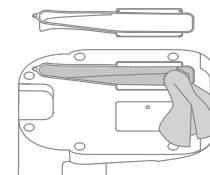
### Pulire il Condotto dell'Aria

Se il condotto dell'aria è ostruito, pulirlo seguendo i passaggi seguenti.

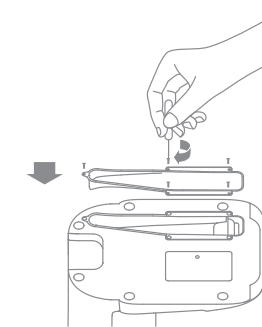
1. Svitare le viti sul coperchio del condotto dell'aria e rimuovere il coperchio.





2. Controllare se il condotto dell'aria è ostruito da oggetti estranei. Se ce ne sono, pulirli.



3. Reinstallare il coperchio del condotto dell'aria come mostrato nel diagramma.



### Riavvio del robot

Se il robot smette di rispondere o non può essere spento, tenere premuto il pulsante  per 10 secondi per forzarne lo spegnimento. Quindi tenere premuto il pulsante  per 3 secondi per riaccendere il robot.

### Batteria

Il robot contiene una batteria agli ioni di litio ad alte prestazioni. Assicurarsi che l'apparecchio resti carico durante l'utilizzo quotidiano per mantenere le prestazioni ottimali della batteria.

Se il robot non viene utilizzato per lungo tempo, spegnerlo e conservarlo. Per evitare danni da scaricamento eccessivo, ricaricare il robot almeno una volta ogni tre mesi.

La tabella seguente elenca le possibili cause e soluzioni in termini di diverso stato della luce. Per ulteriore supporto, fare riferimento alla sezione "Domande Frequenti" in questo manuale.

Stato della Luce	Causa Possibile	Soluzione
Spenta	Nessuna alimentazione	Controllare e assicurarsi che l'alimentazione della base sia normale.
	Il robot nel periodo ND Il robot a piena carica in modalità risparmio	/
Luce bianca fissa	Il robot non sulla base	/
Bianca Lampeggia	Il robot in carica	/
Luce arancione lampeggia	Errore	Verificare se è installato un sacchetto di polvere. In caso contrario, installarne uno. Verificare se il sacchetto di polvere è installato in posizione.
		Verificare se il coperchio superiore è chiuso. In caso contrario, chiudere saldamente il coperchio superiore.
		Controlla se il sacchetto è pieno. In tal caso, sostituirlo. Rimuovere i detriti attorno all'ingresso della polvere del robot e alla base.
		Scollegare il cavo di alimentazione della base e controllare se sono presenti oggetti estranei che ostruiscono il coperchio del condotto dell'aria. Se ce ne sono, pulirli.
		Verificare se il contenitore raccogli-polvere del robot è installato. Per altri errori, contattare i tecnici qualificati o il servizio post-vendita.

Problema	Soluzione
Il robot non si accende	Il livello della batteria è basso. Ricaricare il robot alla base e poi riavviarlo. La temperatura ambientale è troppo bassa (meno di 0°C) o troppo alta (oltre 40°C). La temperatura di funzionamento va da 0° C a 40°C .
Il robot non si ricarica	La base non riceve alimentazione. Controllare che entrambe le estremità del cavo di alimentazione siano collegate correttamente. Scarso contatto. Pulire i contatti di ricarica della base e del robot.
Il robot non può tornare alla base	Ci sono troppe ostruzioni intorno alla base. Posizionarla in un'area più aperta. Pulire l'area di segnalazione della base. Lo spostamento del robot potrebbe causare il riposizionamento o la mappatura dell'ambiente circostante. Se il robot è troppo lontano dalla base, potrebbe non essere in grado di tornare automaticamente da solo, nel qual caso è necessario posizionarlo manualmente sulla base.
Il robot non funziona bene	Spegnere e riaccendere il robot.
Il robot fa uno strano rumore	Potrebbe essersi incastrato un oggetto estraneo in una delle spazzole o in una delle rotelle principali. Spegnere il robot e rimuovere eventuali residui.
Il robot non pulisce più con la stessa efficienza di prima o lascia polvere dietro di sé	Il contenitore raccogli-polvere è pieno. Pulire il contenitore e la porta di raccolta della polvere. Il filtro è intasato. Pulirlo. Un oggetto estraneo si è incastrato nella spazzola principale. Eliminarlo.

## Problemi comuni

Problema	Soluzione
Il robot non riesce a collegarsi al Wi-Fi	<p>La connessione Wi-Fi potrebbe non essere stabile. Resettare il Wi-Fi e scaricare l'ultima versione dell'app Dreamehome/Mi Home/Xiaomi Home, poi provare a riconnetterti.</p> <p>L'accesso alla posizione non è stato autorizzato. Assicurarsi che l'accesso alla posizione sia stato autorizzato sull'app Dreamehome/Mi Home/Xiaomi Home.</p> <p>Il segnale Wi-Fi è troppo debole. Assicurarsi che il robot sia in una zona coperta dal segnale Wi-Fi.</p> <p>La frequenza 5 Ghz del Wi-Fi non è supportata. Assicurarsi che il robot sia connesso alla banda Wi-Fi 2.4 Ghz.</p> <p>Il nome utente o la password del Wi-Fi non sono corretti. Assicurarsi di aver inserito le informazioni corrette.</p>
Il robot non effettua la pulizia programmata	Il robot ha la batteria scarica. Si prega di ricaricarlo in tempo per avviare la pulizia programmata.
Lasciare il robot sulla base consuma energia se è già completamente carico?	Lasciare il robot sulla base dopo che è completamente carico consuma pochissima elettricità e aiuta a mantenere le prestazioni ottimali della batteria.
Dal modulo di lavaggio non esce acqua o ne esce poca	<p>Verificare che nel serbatoio d'acqua ci sia acqua.</p> <p>Pulire il panno se diventa stroppo sporco.</p> <p>Accertarsi che il panno di lavaggio sia installato correttamente facendo riferimento al manuale d'uso.</p> <p>Si raccomanda una pulizia sistematica del foro d'aria sul coperchio del serbatoio d'acqua.</p>
Il robot non riprende automaticamente la pulizia dopo essersi ricaricato	<p>Accertarsi che il robot non sia impostato sulla modalità ND (Non disturbare) che ne impedisce la ripresa della pulizia.</p> <p>Il robot non riprende la pulizia automaticamente quando viene ricaricato manualmente o posizionato sulla base.</p>

## Problemi comuni

Problema	Soluzione
Il robot ritorna alla base senza eseguire le attività di raccolta della polvere	La modalità Non disturbare impedisce al robot di eseguire automaticamente l'attività di raccolta della polvere.
Il sacchetto di polvere è pieno	Verificare se il sacchetto di polvere è pieno. In tal caso, sostituirlo con uno nuovo. Si consiglia di sostituire il sacchetto ogni 4-6 settimane. In caso contrario, controllare se la porta di raccolta della polvere o il condotto dell'aria nella parte inferiore della base sia ostruito. Rimuovere qualsiasi blocco prima dell'uso.
A volte il tempo di raccolta della polvere sarà più lungo	Quando il robot ha eseguito attività di raccolta della polvere per un periodo di tempo o quando il condotto dell'aria non funziona correttamente, la durata della raccolta della polvere verrà estesa per prevenire il blocco.
Il coperchio superiore della base non si chiude	Verificare se è installato un sacchetto di polvere. In caso contrario, installarne uno.



## Dispositivo principale

Modello	RLS3D
Batteria	5200 mAh (Capacità nominale della batteria)
Connessione Wi-Fi	Wi-Fi IEEE 802.11b/g/n 2,4 GHz
Compatibilità OS	Android 4,4 o iOS 10,0 e versioni successive
Tempo di ricarica	Circa 6 ore
Tensione nominale	14,4 V ---
Potenza nominale	46 W
Frequenza d'esercizio	2400-2483,5 MHz
Potenza in uscita massima	< 20 dBm

## Informazioni RAEE



Tutti i prodotti contrassegnati da questo simbolo sono rifiuti di apparecchiature elettriche ed elettroniche (RAEE in base alla direttiva 2012/19/UE) che non devono essere smaltiti assieme a rifiuti domestici non differenziati. Al contrario, è necessario proteggere l'ambiente e la salute umana consegnando i rifiuti a un punto di raccolta autorizzato al riciclaggio di rifiuti di apparecchiature elettriche ed elettroniche, predisposto dalla pubblica amministrazione o dalle autorità locali. Lo smaltimento e il riciclaggio corretti aiutano a prevenire conseguenze potenzialmente negative all'ambiente e alla salute umana. Contattare l'installatore o le autorità locali per ulteriori informazioni sulla sede e per i termini e le condizioni di tali punti di raccolta.

## Base auto-vuota

Modello	RCS7
Ingresso nominale	220-240 V ~ 50-60 Hz
Uscita nominale	19,8 V --- 1 A
Potenza nominale	600 W

In condizioni d'uso normali, questa apparecchiatura deve essere tenuta a una distanza minima di 20 cm tra l'antenna e il corpo dell'utente.

Scatola	Manuale	Manuale	Pellicola	Pellicola	Borsa	Pellicola
PAP 20	PAP 21	PAP 22	PVC 3	PET 1	CPE 7	PP 5
Carta			Plastica			
<b>RACCOLTA DIFFERENZIATA</b>						
Verifica le disposizioni del tuo Comune. Separa le componenti e conferiscile in modo corretto.						

## Información de seguridad

## Restricciones de uso

- Este producto puede usarse por niños mayores de 8 años y por personas con problemas físicos, sensoriales, intelectuales, o experiencia o conocimientos limitados bajo la supervisión de un padre o tutor para garantizar un funcionamiento seguro y evitar cualquier riesgo de peligro. La limpieza y mantenimiento no deben realizarse por niños sin supervisión.
- Este producto no es un juguete. Asegúrese de que tanto niños como mascotas mantienen una distancia de seguridad mientras esté en funcionamiento.
- Este producto es solo apto para la limpieza de suelos del hogar. No lo utilice en exteriores, en otro tipo de superficies ni en un entorno comercial o industrial.
- No use el robot en zonas con desnivel sin una barrera protectora.
- No coloque el robot boca abajo. No utilice la cubierta del LDS, la cubierta del robot o el parachoques como asa para mover el robot.
- No use el robot si la temperatura ambiente es superior a los 40°C o inferior a los 0 °C, o si hay líquidos o sustancias pegajosas en el suelo.
- Recoja cualquier cable del suelo antes de usar el robot para evitar que se dañen durante la limpieza.
- Recoja objetos frágiles o pequeños del suelo para evitar que el robot los succione y los dañe.
- Evite que el pelo, los dedos o cualquier otra parte del cuerpo entre en contacto con la zona de succión del robot.

## Información de seguridad

### Restricciones de uso

- Mantenga el cepillo de limpieza fuera del alcance de los niños.
- No coloque niños, mascotas ni cualquier objeto encima del robot si este se encuentra estacionado o en movimiento.
- No use el robot para limpiar sustancias tóxicas o inflamables.
- No aspire objetos duros o afilados.
- Antes de limpiar el robot o realizar labores de mantenimiento, asegúrese de que está apagado y la base de vaciado automático desconectada.
- No utilice un paño húmedo ni ningún líquido para limpiar o enjuagar el robot o la base. Las piezas lavables deben secarse completamente antes de instalarlas y utilizarlas.
- Use este producto de acuerdo con las instrucciones del manual. Los usuarios son responsables de cualquier pérdida o daño debidos a un uso no adecuado del producto.

### Baterías y carga

- No utilice baterías, cargadores, ni base de vaciado automático de terceros. Usar sólo con la unidad de alimentación RCS7.
- No intente desarmar, reparar ni modificar la batería o la base de vaciado automático por su propia cuenta.
- No coloque la base de vaciado automático cerca de una fuente de calor.
- No utilice un paño húmedo ni las manos mojadas para limpiar los

## Información de seguridad

### Baterías y carga

- contactos de carga de la base.
- No deseche las pilas usadas de forma inadecuada. Las baterías que ya no se necesitan deben desecharse en una instalación de reciclaje adecuada.
- Si se daña o se rompe el cable de alimentación, deje de usarlo inmediatamente y póngase en contacto con el servicio posventa.
- Asegúrese de que el robot esté apagado cuando lo transporte y guárdelo en su embalaje original si es posible.
- Si no va a utilizar el robot durante un largo periodo de tiempo, cárguelo completamente, apáguelo y guárdelo en un lugar fresco y seco. Recargue el robot al menos una vez cada 3 meses para evitar la sobredescarga de la batería.
- Este producto contiene baterías que solo pueden ser reemplazadas por técnicos cualificados o por el servicio posventa.

### Sensor Láser de Distancia

- El sensor de distancia láser cumple con la norma IEC 60825-1: 2014 para productos láser de Clase 1 y no genera radiación láser peligrosa.

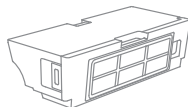
Por la presente, Dreame Trading (Tianjin) Co., Ltd. declara que el tipo de equipo radioeléctrico RLS3D cumple con la Directiva 2014/53/UE. Encontrará el texto completo de la declaración de conformidad de la UE en esta dirección de Internet: <https://global.dreametech.com>  
Para un manual electrónico detallado, vaya a <https://global.dreametech.com/pages/user-manuals-and-faqs>

Accesorios

Accesorios preinstalados



Cepillo principal



Depósito de polvo

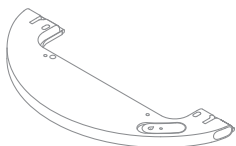


Herramienta de limpieza

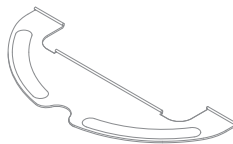


Bolsa recolectora de polvo x2  
(1 pre-instaladas)

Otros accesorios



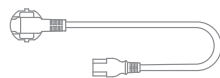
Depósito de agua



Mopa

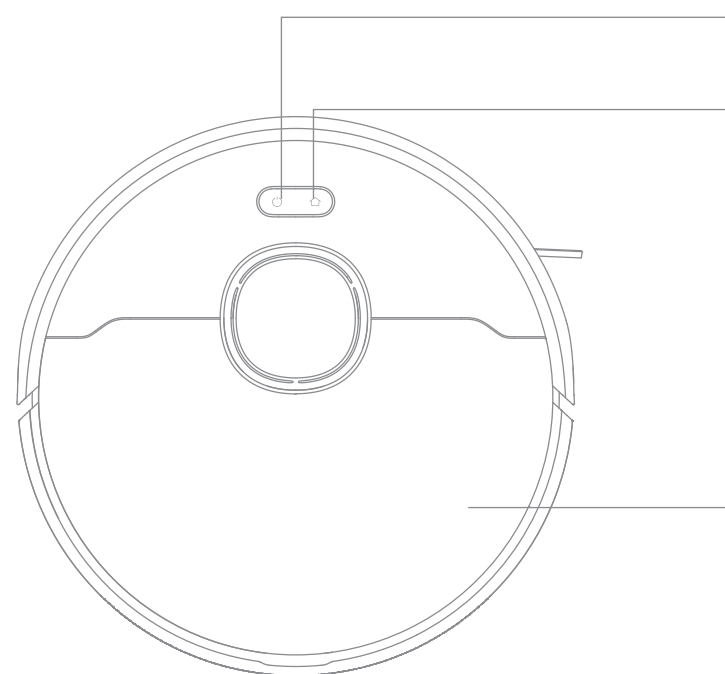


Cepillo lateral



Cable de alimentación

Robot

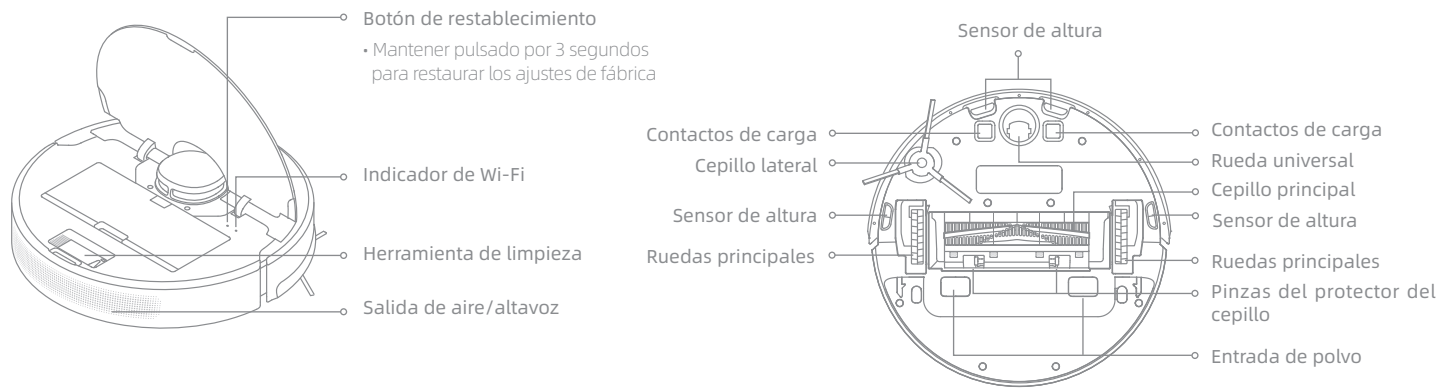


- Botón de encendido/limpieza
  - Botón de encendido/apagado: Mantener pulsado por 3 segundos
  - Después de encender el robot, pulsar para iniciar la limpieza
- Botón de Regreso a la Base/Botón Limpieza Localizada
  - Pulsar para enviar el robot de vuelta a la base de vaciado automático
  - Pulse brevemente para iniciar el Modo de Limpieza Localizada

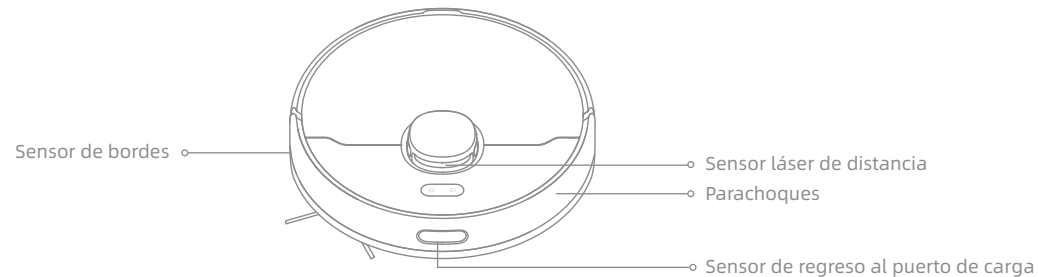
- Indicador de estado
- **Blanco:** Limpiando o limpieza completada
  - **Naranja intermitente:** Error
  - **Blanco Respirado:** el robot se está cargando cuando el nivel de la batería no está bajo

○ Cubierta

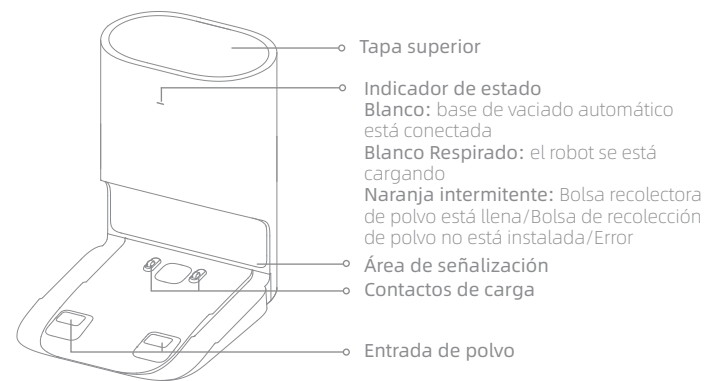
Robot



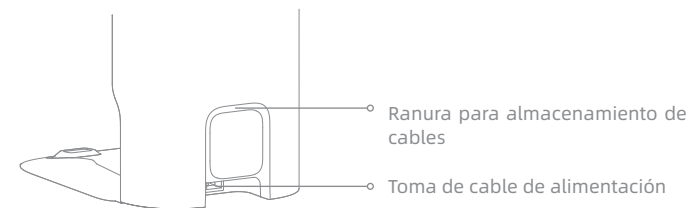
Sensores del robot



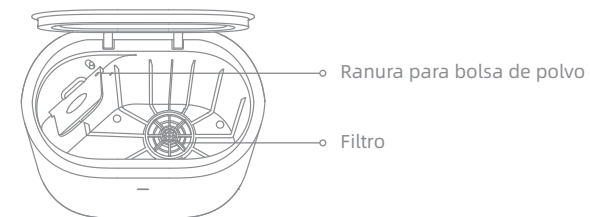
Base de vaciado automático



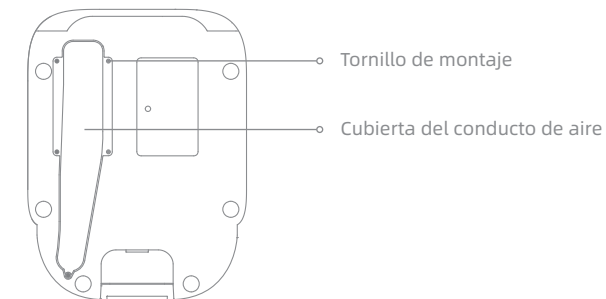
Posterior



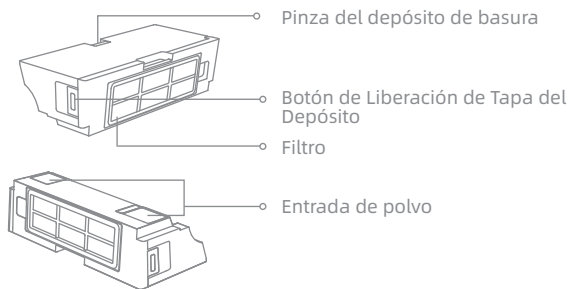
Abra la cubierta superior



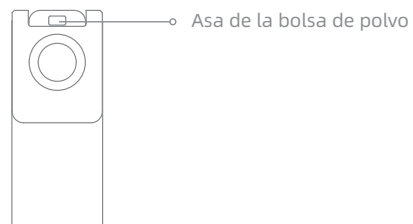
Inferior



Depósito de polvo

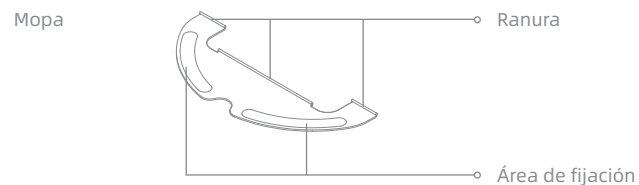
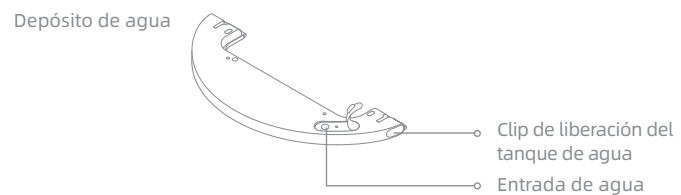


Bolsa recolectora de polvo

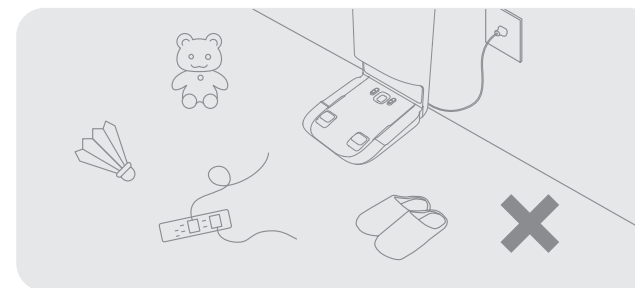


Nota: De acuerdo con la configuración de fábrica, se ha instalado una nueva bolsa de recolección de polvo en el interior.

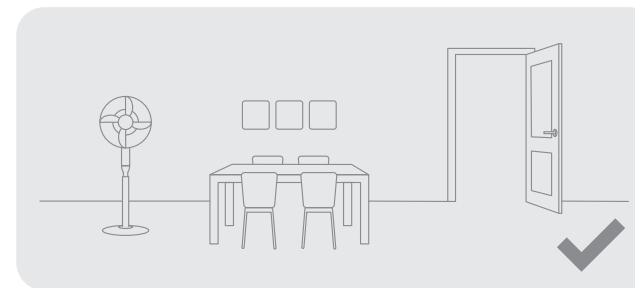
Módulo de fregado



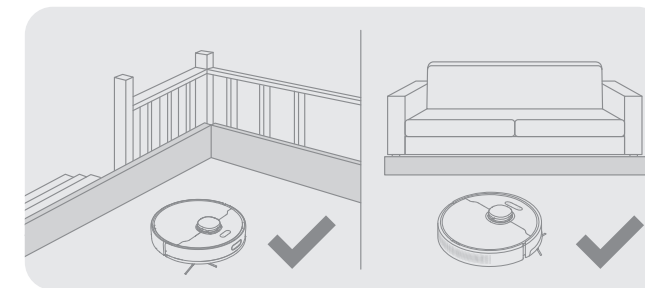
Ordenar el entorno doméstico



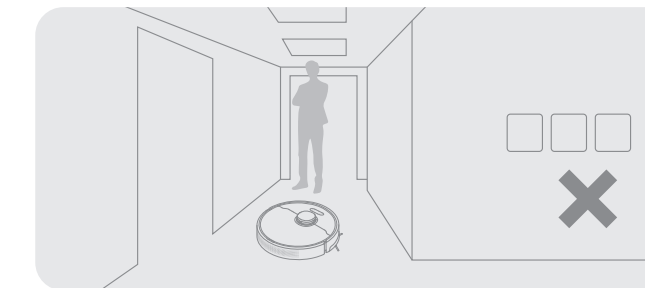
Para mejorar la eficiencia del aspirador robot, guarde los cables sueltos, trapos, pantuflas, juguetes y otros artículos en el suelo.



Abra la puerta de la habitación que va a limpiar y coloque los muebles en el lugar apropiado para hacer más espacio.



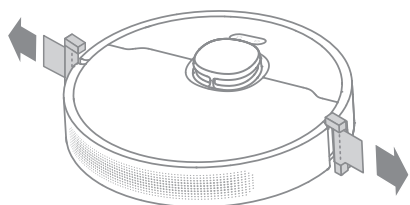
Antes de que empiece a limpiar, utilice la barrera física en el borde de las escaleras y el sofá para garantizar un funcionamiento seguro y fluido del aspirador robot.



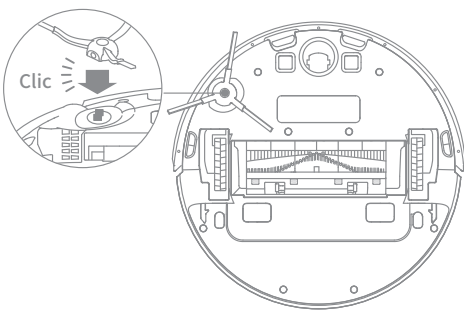
Para evitar que el robot no reconozca el área a limpiar, no permanezca de pie delante del robot, en el umbral, el pasillo o lugares estrechos.

## Preparación antes del uso

### 1. Quite las tiras protectoras



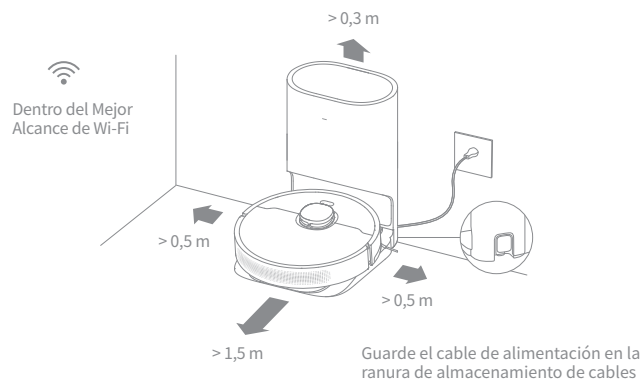
### 2. Instale el cepillo lateral



**Nota:** Instale los cepillos laterales hasta que encajen en su sitio.

### 3. Conéctelo a una toma de corriente

Coloque la base en un suelo nivelado contra la pared y conecte a la fuente de alimentación. Coloque el robot en la base para recargar la batería. El robot se encenderá automáticamente y la batería comenzará a cargar. Se recomienda cargar la batería completamente antes del primer uso.



**Nota:**

- Asegúrese de que haya una distancia de 0,5 metros o más por cada lado de la base, y más de 1,5 metros enfrente.
- Asegúrese de que ningún objeto bloquee el área de señalización.

### Acerca de la base de vaciado automático

Se recomienda que el robot parta desde la base al empezar de la limpieza. Esto asegura que el robot regrese a la base sin problemas. No mueva la base mientras el robot está limpiando.

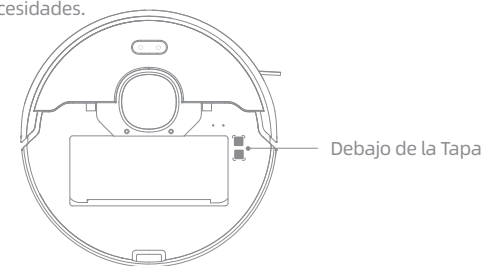
Una vez que el robot completa la tarea de limpieza y vuelve automáticamente a la base, la base comenzará el vaciado automático. Se pueden operar más configuraciones en la aplicación.

## Conectar con la aplicación Dreamehome/Mi Home/Xiaomi Home

Este producto funciona con la aplicación Dreamehome/Mi Home/Xiaomi Home, que se pueden usar para controlar su dispositivo.

### 1. Descargue la Aplicación Dreamehome/Mi Home/Xiaomi Home

Escanee el código QR en el robot o busque "Dreamehome", "Mi Home" o "Xiaomi Home" en la tienda de aplicaciones para descargar e instalar la aplicación según sus necesidades.



### 2. Añadir dispositivo

**APLICACIÓN Mi Home/Xiaomi Home:** abra Mi Home/Xiaomi Home app, toque "+" en la esquina superior derecha y escanee el código QR de arriba nuevamente para agregar "Dreame Bot D10 Plus". Siga las indicaciones para completar la conexión Wi-Fi.

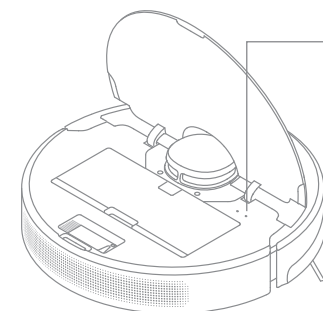
**APLICACIÓN Dreamehome:** abra la aplicación Dreamehome, toque "+" en la esquina superior derecha para ir a la página "Agregar Dispositivo" y luego seleccione "Dreame Bot D10 Plus". Siga las indicaciones para completar la conexión Wi-Fi.

**Nota:**

- Solo admite Wi-Fi de 2,4 GHz.
- Puede que la versión de la aplicación se haya actualizado, siga las instrucciones específicas de la versión actual.

### 3. Restablecer Wi-Fi



Mantenga pulsados al mismo tiempo los botones y hasta que escuche: «Esperando configuración de red». Cuando el indicador parpadee lentamente, el Wi-Fi se habrá restablecido correctamente.




- Indicador del Wi-Fi**
- Parpadea lentamente: Esperando conexión
  - Parpadea rápidamente: Conectando
  - Encendido: Wi-Fi conectado

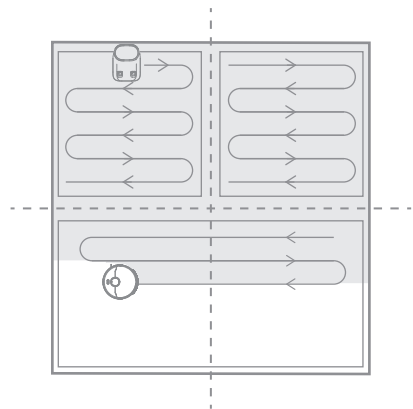
**Nota:** Cuando el teléfono no se conecta correctamente al robot, reinicie el Wi-Fi y añada de nuevo el dispositivo.

### 1. Encender/apagar

Mantenga pulsado el botón  durante 3 segundos para encender el robot. Una vez que el indicador de encendido se vuelva completamente blanco, el robot entrará en modo de espera. Para apagar el robot, mantenga pulsado el botón  durante 3 segundos mientras esté parado.

### 2. Comenzar Limpieza

Presione el botón  brevemente para encender el robot. Tras la activación, el robot diseñará con precisión una ruta, limpiará metódicamente a lo largo de los bordes y las paredes, luego terminará limpiando cada habitación en un patrón en forma de S para garantizar una limpieza completa.



### 3. Modo de limpieza

En la aplicación Dreamehome/Mi Home/Xiaomi Home hay cuatro modos de limpieza disponibles: Tranquilo, Normal, Fuerte y Turbo. El modo predeterminado es el estándar.

### 4. Pausar/Modo Suspensión


**Pausar:** pulse cualquier botón para pausar el robot durante la limpieza.

**Modo Suspensión:** el robot activará automáticamente el modo Suspensión tras 10 minutos de inactividad. A continuación, se apagará los indicadores de energía y de carga. Para volver a activar el robot, pulse cualquier botón.

Nota:

- El robot se apagará automáticamente si se mantiene en modo Suspensión durante más de 12 horas.
- Cuando el robot esté parado, colocarlo en la base finalizará la tarea de limpieza actual.

### 5. Modo Limpieza localizada

Cuando el robot con mopa esté en modo de espera o en pausa, mantenga pulsado el botón  durante 3 segundos para activar el modo Limpieza de manchas. En este modo, se limpiará una zona cuadrada de 1,5 x 1,5 metros alrededor del robot. Cuando termine la limpieza de las manchas, el robot regresará automáticamente a su ubicación original y se apagará.

Nota: Activar el modo Limpieza de manchas finalizará la tarea de limpieza actual.

### 6. Más Funciones de la aplicación

La aplicación se puede usar para ajustar funciones avanzadas como limpieza selectiva de habitación, limpieza de zona, áreas restringidas/pared virtual, etc.

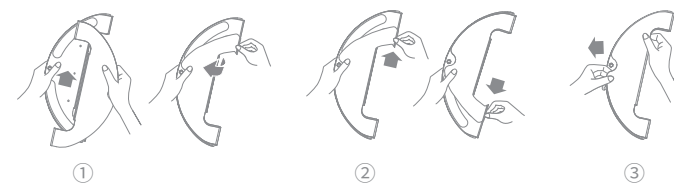
Nota:

- Siga las instrucciones de la interfaz de la aplicación para usar más funciones.
- Puede que la versión de la aplicación se haya actualizado, siga las instrucciones específicas de la versión actual.

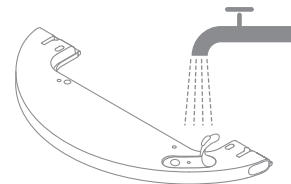
### 7. Usar la función de fregado

Para obtener un mejor resultado de limpieza, se recomienda aspirar todos los suelos al menos tres veces antes de la primera sesión de fregado.

1) Humedezca la almohadilla trapeadora y exprima el agua excesa. Inserte la almohadilla trapeadora en la ranura del tanque de agua como se muestra en la figura y péguela firmemente.

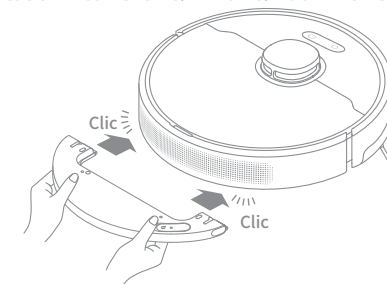


2) Abra la tapa del depósito de agua, rellénelo y cierre la tapa de forma segura.



Nota: No utilice detergentes ni desinfectantes.

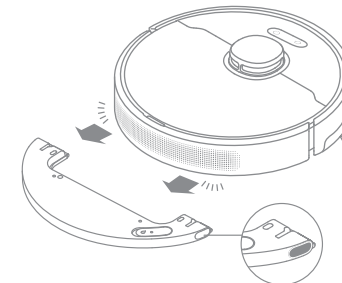
3) Inserte el módulo de fregado en paralelo, como indica la flecha, y deslícelo en la parte trasera del robot hasta que encaje. Pulse el botón , o puede utilizar la aplicación Dreamehome/Mi Home/Xiaomi Home para empezar la limpieza.



Nota:

- No se recomienda usar la función de fregado en alfombras.
- Use la aplicación para ajustar el flujo de agua.

4) Para retirar el depósito de agua, presione hacia adentro ambos lados y deslice el depósito hacia atrás para separarlo del robot.

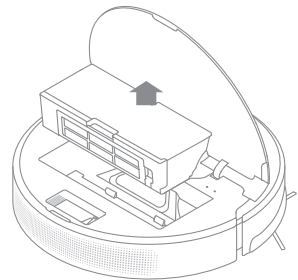


Nota: Cuando el robot esté cargándose o no esté en uso, extraiga el módulo de fregado, saque el agua que quede en el depósito y limpie la almohadilla de la mopa para evitar moho y olores persistentes.

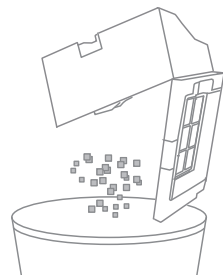
## Mantenimiento rutinario

### Depósito de polvo \* Limpie después de cada uso

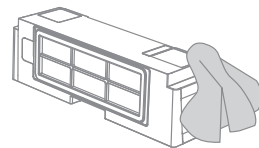
1. Abra la tapa del robot, apriete las pinzas del contenedor de polvo para retirarlo.



2. Abra la tapa del contenedor como indica la ilustración.

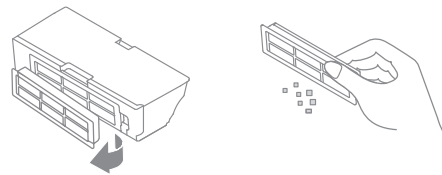


3. Limpie la entrada de polvo

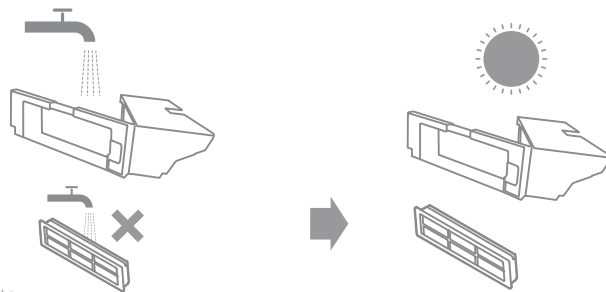


### Filtro

1. Retire el filtro y golpee suavemente su canasta.



2. No lave el filtro. Sólo el depósito de polvo es lavable. Séquelo completamente antes de volver a instalarlo.



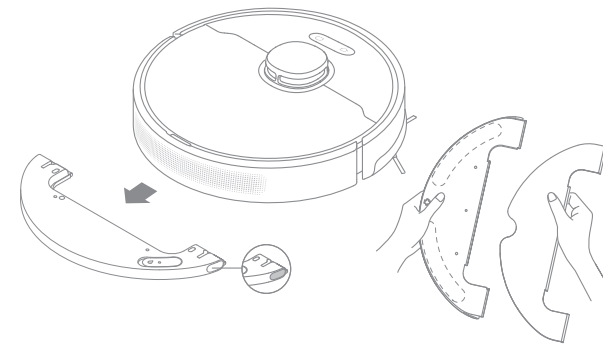
#### Nota:

- No intente limpiar el filtro con un cepillo ni con los dedos.
- Enjuague el depósito de polvo sólo con agua limpia. No use ningún detergente.
- Utilice el depósito de polvo únicamente cuando esté completamente seco.
- Se recomienda limpiar el filtro cada dos semanas y reemplazarlo cada tres meses.

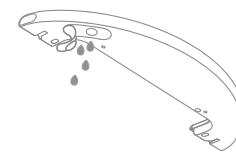
## Mantenimiento rutinario

### Módulo de fregado

1. Pulse las pinzas laterales del módulo de fregado y tire para extraer el módulo. Tire de la almohadilla de la mopa del módulo de fregado para extraerla.

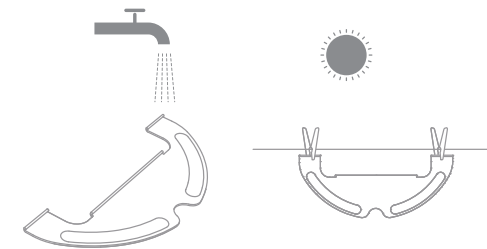


2. Vacíe el agua del depósito de agua. Limpie solo con agua y deje secar al aire antes de volver a instalarlo.



Nota: No exponga el tanque directamente al sol.

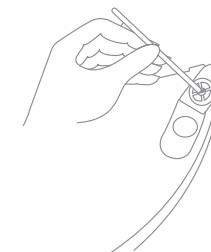
3. Limpie la mopa solo con agua y deje secar al aire antes de volver a instalarla.



#### Nota:

- Extraiga la mopa del módulo de fregado antes de limpiarla. Asegúrese de que el agua sucia no vuelva a entrar por la salida de agua para que no se obstruya.
- Para un rendimiento óptimo, recomendamos cambiar cada 3 o 6 meses.

4. Si el flujo de agua es lento, o el volumen no está bien distribuido, limpie el orificio ventilador de la tapa del tanque de agua.

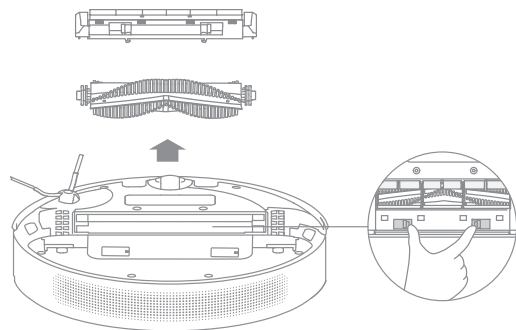




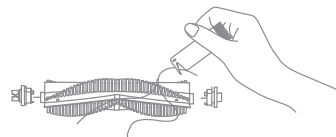
## Mantenimiento rutinario

### Limpiar el cepillo principal

Presione la cubierta del cepillo hacia dentro para retirar la cubierta de y elévelo para sacarlo del robot.



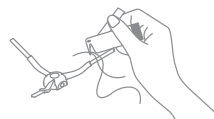
Extraiga las cubiertas de los cepillos como se indica en el diagrama. Use la herramienta de limpieza incluida para eliminar los pelos enredados en el cepillo.



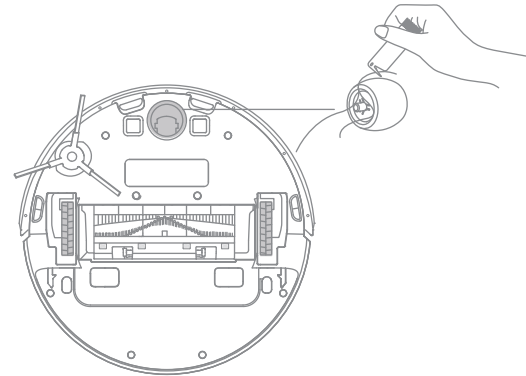
**Nota:** Si hay una gran cantidad de cabello o este está muy enredado, retírelo cuidadosamente para evitar dañar el cepillo principal.

### Limpiar el cepillo lateral

Saque los cepillos laterales y use la herramienta de limpieza incluida para quitar el cabello enredado en el cepillo.



### Limpiar la rueda principal y la rueda universal

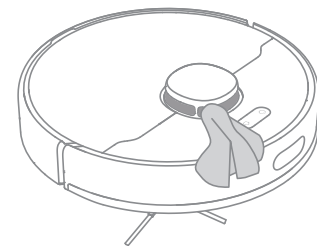


**Nota:** Utilice una herramienta como un destornillador pequeño para separar el eje y el neumático de la rueda universal, no ejerza demasiada fuerza.

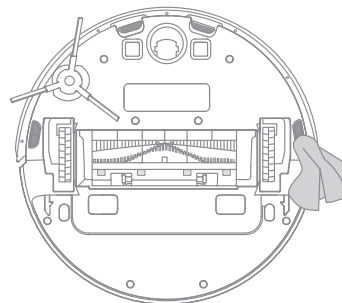
## Mantenimiento rutinario

**Nota:** Use un paño de cocina seco para realizar la limpieza, ya que el robot y la base interna tienen elementos sensibles. No use un paño húmedo para evitar que el agua provoque daños.

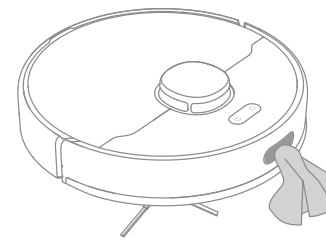
### Limpiar el Sensor láser de distancia



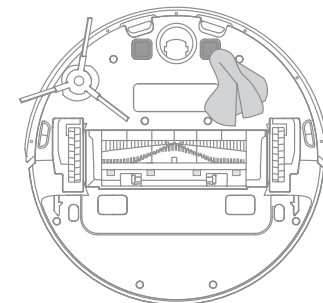
### Limpiar el Sensor de Altura



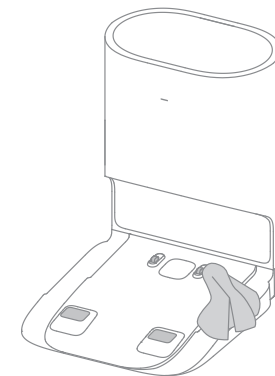
### Limpiar el Sensor de regreso al puerto de carga



### Limpiar los contactos de carga



### Limpiar los contactos de carga y la entrada de polvo

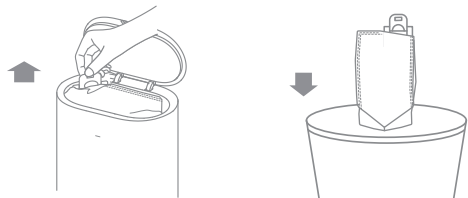


## Mantenimiento rutinario

### Reemplace la bolsa recolectora de polvo

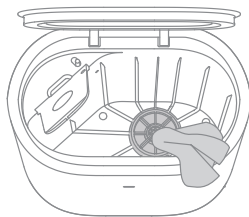
De acuerdo con el indicador de estado (naranja parpadeante) y las indicaciones de la aplicación, reemplace la bolsa recolectora de bolsa por una nueva cuando esté llena. Se recomienda reemplazar la bolsa cada 4-6 semanas.

1. Deseche la bolsa recolectora de polvo.

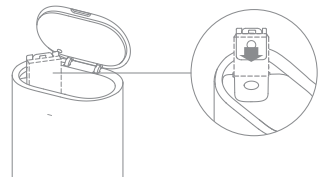


**Nota:** Cuando saque la bolsa recolectora de polvo, cierre el asa de la bolsa para evitar que el polvo se escape.

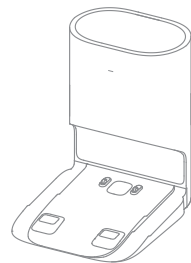
2. Limpie el filtro con un paño seco



3. Instale una nueva bolsa recolectora de polvo.



4. Cierre la tapa superior de la base de vaciado automático.



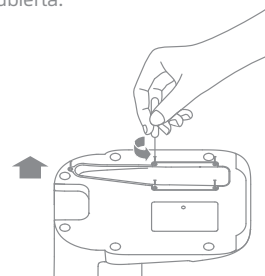
**Nota:** NO cierre la base a la fuerza si la cubierta superior de la base no se cierra y la bolsa recolectora de polvo no está instalada.

## Mantenimiento rutinario

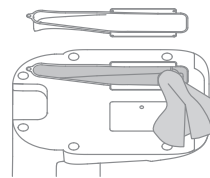
### Limpie el conducto de aire

Si el conducto de aire está bloqueado, límpielo de acuerdo con los siguientes pasos.

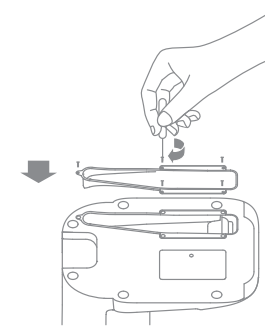
1. Desatornille los tornillos de montaje de la cubierta del conducto de aire y retire la placa de cubierta.





2. Compruebe si el conducto de aire está bloqueado por objetos extraños. Quitelos si los hay.



3. Vuelva a instalar la cubierta del conducto de aire como se muestra en el diagrama.



### Reinicio del robot

Si el robot deja de responder o no se puede apagar, mantenga pulsado el botón  durante 10 segundos para forzar el apagado. A continuación, mantenga pulsado el botón  durante 3 segundos para encenderlo de nuevo.

### Batería

El robot contiene una batería de iones de litio de alto rendimiento. Asegúrese de que permanezca bien cargada durante el uso diario para que mantenga un rendimiento óptimo. Si el robot no se utiliza durante un largo periodo de tiempo, apáguelo y guárdelo. Para evitar daños por descarga, debería recargar el robot una vez cada tres meses.

## Indicador de estado

La siguiente tabla enumera las posibles causas y soluciones en términos de diferentes estados de luz. Para obtener más ayuda, consulte la sección "Preguntas Frecuentes" de este manual.

Estado de luz	Causa posible	Solución
Apagado	Sin fuente de alimentación	Compruebe y asegúrese de que la fuente de alimentación de la base esté normal.
	El robot está en modo No Molestar El robot está con carga completa y en modo Suspensión	/
Blanco	El robot no está en la base	/
Blanco Respirado	El robot se está cargando	/
Naranja intermitente	Error	Compruebe si la bolsa recolectora de polvo está instalada. Si la hay, instale una. Compruebe si la bolsa recolectora de polvo está instalada en su lugar.
		Compruebe si la cubierta superior está cerrada. Si no lo está, ciérrela bien.
		Compruebe si la bolsa está llena. Si lo está, reemplácela. Elimine la suciedad alrededor de la entrada de polvo del robot y la base.
		Desenchufe el cable de alimentación de la base y verifique si hay objetos extraños que bloqueen la cubierta del conducto de aire. Si los hay, quítelos.
		Compruebe si el depósito de polvo del robot está instalado. Para otros errores, comuníquese con técnicos calificados o con el servicio posventa.

## Preguntas frecuentes

Tipo de problema	Solución
El robot no se enciende	La batería está baja. Recargue el robot en la base y vuelva a intentarlo. La temperatura ambiente es demasiado baja (por debajo de los 0 ° C) o demasiado alta (por encima de los 40 ° C). La temperatura de funcionamiento del robot es de 0 ° C a 40 ° C.
El robot no se recarga	La base no tiene energía. Confirme que ambos extremos del cable de alimentación estén conectados correctamente. Contacto malo. Limpie los contactos de carga de la base y el robot.
El robot no puede regresar a la base	Hay demasiadas obstrucciones alrededor de la base. Coloque la base en un área más abierta. Limpie el área de señalización de la base. Mover el robot puede causar que se reubique o vuelva a mapear sus alrededores. Si el robot está demasiado lejos de la base, es posible que no pueda regresar automáticamente por sí solo, en cuyo caso deberá colocarlo manualmente en la base.
El robot no funciona adecuadamente	Apague el robot y vuelva a encenderlo.
El robot hace un ruido extraño	Un objeto extraño puede estar obstruyendo el cepillo principal, el cepillo lateral o alguna de las ruedas principales. Apague el robot y elimine la basura acumulada.
El robot no limpia de forma correcta o deja basura a su paso	El depósito de polvo está lleno. Limpie el depósito de polvo y la entrada de polvo. El filtro está obstruido. Debe limpiarlo. Un objeto extraño está obstruyendo el cepillo principal. Debe limpiarlo.

## Preguntas frecuentes

Tipo de problema	Solución
El robot no se conecta al Wi-Fi.	<p>Hay algún problema con la conexión Wi-Fi. Reinicie el Wi-Fi, descargue la última versión de Dreamehome/Mi Home/Xiaomi Home APP, e intente conectarlo de nuevo.</p> <p>El permiso de ubicación no está activado. Asegúrese de activar el permiso de ubicación en la aplicación Dreamehome/Mi Home/Xiaomi Home.</p> <p>La señal Wi-Fi es débil. Asegúrese de que el robot se encuentra en una zona con una buena señal de Wi-Fi.</p> <p>No admite Wi-Fi de 5GHz. Asegúrese de conectar su robot a una red Wi-Fi de 2,4GHz.</p> <p>Nombre de usuario o contraseña del Wi-Fi incorrectos. Asegúrese de introducir el nombre de usuario y la contraseña correctos.</p>
El robot no realiza la limpieza programada	Al robot le queda poca batería. La limpieza programada no comenzará hasta que el robot se haya recargado.
¿Dejar el robot en la base de carga consume energía o no, si ya está completamente cargado?	Dejar el robot en la base de carga y recolección de polvo después de que esté completamente cargado consume muy poca electricidad y ayuda a mantener un rendimiento óptimo de la batería.
No sale agua del módulo de fregado o solo sale un poco de agua	<p>Compruebe que el depósito de agua está lleno de agua y limpie la mopa si es necesario.</p> <p>Limpie la mopa si está sucia.</p> <p>Compruebe que la mopa está colocada correctamente, de acuerdo con el manual.</p> <p>Limpie el orificio del tanque de agua.</p>
El robot no reanuda la limpieza a pesar de que tiene batería suficiente	<p>Compruebe que el robot no se encuentre en modo No molestar.</p> <p>El robot no reanuda la limpieza cuando se recarga manualmente o coloca en la base.</p>

## Preguntas frecuentes

Tipo de problema	Solución
El robot regresa a la base sin realizar tareas de recolección de polvo	El modo No molestar también impide que el robot realice automáticamente tareas de recolección de polvo.
La bolsa recolectora de polvo está llena	Compruebe si la bolsa recolectora de polvo está llena. Si lo está, reemplácelo por una nueva. Se recomienda reemplazar la bolsa cada 4-6 semanas. De lo contrario, compruebe si la entrada de polvo o el conducto de aire en la parte inferior de la base están bloqueados. Elimine cualquier bloqueo antes de usar.
A veces, la recolección de polvo tarda demasiado largo.	Cuando el robot lleva un período de tiempo recolectando el polvo, o cuando el conducto de aire no funciona correctamente, la duración de la recolección de polvo se extenderá para evitar el bloqueo.
La cubierta superior de la base no se cerró	Compruebe si la bolsa recolectora de polvo está instalada. Si la hay, instale una.

## Robot

Modelo	RLS3D
Batería	5200 mAh (Potencia máxima de salida)
Tiempo de carga	Aproximadamente 6 horas
Conexión inalámbrica	Wi-Fi IEEE 802.11b/g/n 2,4 GHz
Compatibilidad de SO	Android 4,4 o iOS 10,0 y más recientes
Tensión nominal	14,4 V ---
Potencia nominal	46 W
Frecuencia de operación	2400-2483,5 MHz
Potencia máxima de salida	< 20 dBm

## Información sobre RAEE



Todos los productos que llevan este símbolo son residuos de aparatos eléctricos y electrónicos (RAEE según la directiva 2012/19/UE) que no deben mezclarse con residuos domésticos sin clasificar. En su lugar, debe proteger la salud humana y el medio ambiente entregando sus equipos de desecho a un punto de recogida para el reciclaje de residuos de equipos eléctricos y electrónicos, designado por el gobierno o las autoridades locales. La eliminación y el reciclado correctos ayudarán a evitar posibles consecuencias negativas para el medio ambiente y la salud humana. Póngase en contacto con el instalador o con las autoridades locales para obtener más información sobre la ubicación y las condiciones de dichos puntos de recogida.

## Base de vaciado automático

Modelo	RCS7
Entrada nominal	220-240 V ~ 50-60 Hz
Salida nominal	19,8 V --- 1 A
Potencia nominal	600 W

En condiciones normales de uso, este equipo debe mantenerse a una distancia de, al menos, 20 cm entre la antena y el cuerpo del usuario.

## Информация по технике безопасности

## Ограничения на эксплуатацию

- Дети старше 8 лет и лица с ограниченными физическими, сенсорными или умственными способностями или недостаточным опытом и знаниями могут использовать данный прибор под присмотром взрослых или опекунов для обеспечения безопасной эксплуатации и избежания возможных опасностей. Очистка и техническое обслуживание не должно выполняться детьми без присмотра взрослых.
- Детям не следует играть с этим устройством. Убедитесь, что дети и животные находятся на безопасном расстоянии от робота во время работы.
- Это устройство предназначено только для очистки пола в домашних условиях. Не используйте его на открытом воздухе, на поверхностях без пола, а также в коммерческих или промышленных условиях.
- Не используйте робот в областях, расположенных над полом, без защитного барьера.
- Запрещается переворачивать робота. Запрещается перемещать робот за крышку лазерного датчика расстояния, крышку робота или амортизатор.
- Не используйте робот в средах с температурой окружающей среды выше 40 ° C или ниже 0 ° C, а также на полу с жидкостями или липкими веществами.
- Уберите с пола провода перед использованием робота, чтобы он не тянул их во время уборки.
- Уберите с пола хрупкие и мелкие предметы, чтобы робот не врезался в них и не повредил.
- Не допускайте попадания волос, пальцев и других частей тела во

**Ограничения на эксплуатацию**

- всасывающее отверстие робота.
- Храните инструмент для чистки щетки в недоступном для детей месте.
- Не размещайте на роботе детей, животных и какие-либо предметы, независимо от того остановлен он или движется.
- Не используйте робот для уборки любых горящих веществ.
- Не используйте робот для уборки твердых и острых предметов.
- Перед очисткой и техническим обслуживанием убедитесь, что робот выключен и док-станция для зарядки отсоединена от источника питания.
- Не очищайте части устройства с помощью влажной ткани или жидкостей.
- Используйте это устройство согласно руководству пользователя. Пользователи несут ответственность за убытки и ущерб, возникшие из-за несоблюдения инструкций.

**Аккумулятор и зарядка**

- Не используйте сторонний аккумулятор или базу для автоочистки. Используйте только с блоком питания RCS7.
- Не разбирайте, не ремонтируйте и не модифицируйте аккумулятор или базу для автоочистки самостоятельно.
- Не размещайте базу для автоочистки рядом с источником тепла.
- Не вытирайте и не очищайте зарядные контакты базы для автоочистки намоченным полотенцем или влажными руками.
- Не утилизируйте старые аккумуляторы ненадлежащим образом. Ненужные аккумуляторы следует сдавать в соответствующие пункты переработки.
- Если шнур питания поврежден или сломан, немедленно прекратите его

**Аккумулятор и зарядка**

- использование и обратитесь в службу послепродажного обслуживания.
- Перед транспортировкой убедитесь, что робот выключен, и по возможности храните его в оригинальной упаковке.
- Если робот не будет использоваться в течение длительного периода, полностью зарядите его, отключите и храните в сухом прохладном месте. Во избежание чрезмерной разрядки аккумулятора заряжайте робот не реже одного раза в 3 месяца.
- Это устройство оснащено аккумуляторным блоком, который должны заменять только квалифицированные технические специалисты или специалисты отдела послепродажного обслуживания.

**Лазерный датчик расстояния**

- Лазерный датчик расстояния соответствует классу 1 лазерных изделий стандарта IEC 60825-1:2014 и не создает опасную лазерную радиацию.
- Не транспортируйте робот-пылесос при температуре выше 50 ° C или ниже -20 ° C.
- В течение короткого периода, например одного месяца, пылесос рекомендуется хранить при температуре от -20 до 50 ° C и относительной влажности 60 % ± 5 %. В течение длительного времени храните пылесос при температуре окружающей среды от 0° C до 25 ° C.
- Утилизируйте пылесос надлежащим образом. Когда его срок службы подойдет к концу, утилизируйте пылесос в соответствии с местными законами и правилами страны или региона, в котором он используется. Дату производства см. на этикетке со штрих-кодом.

Настоящим компания Dreame Trading (Tianjin) Co., Ltd. заявляет, что тип радиооборудования RLS3D соответствует требованиям Директивы 2014/53/EU. Полный текст декларации о соответствии нормативным требованиям ЕС доступен по следующему адресу: <https://global.dreametech.com> Подробное электронное руководство см. по адресу <https://global.dreametech.com/pages/user-manuals-and-faqs>

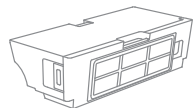
## Описание изделия

### Аксессуары

#### Предварительно установленные аксессуары



Основная щетка



Контейнер для пыли

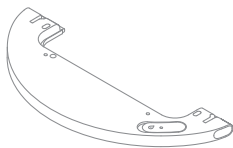


Чистящий инструмент

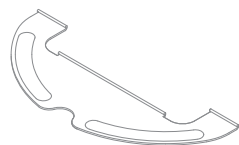


Мешок для пыли x2  
(предустановлен 1)

#### Другие аксессуары



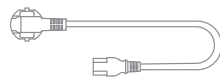
Водяной бак



Швабра



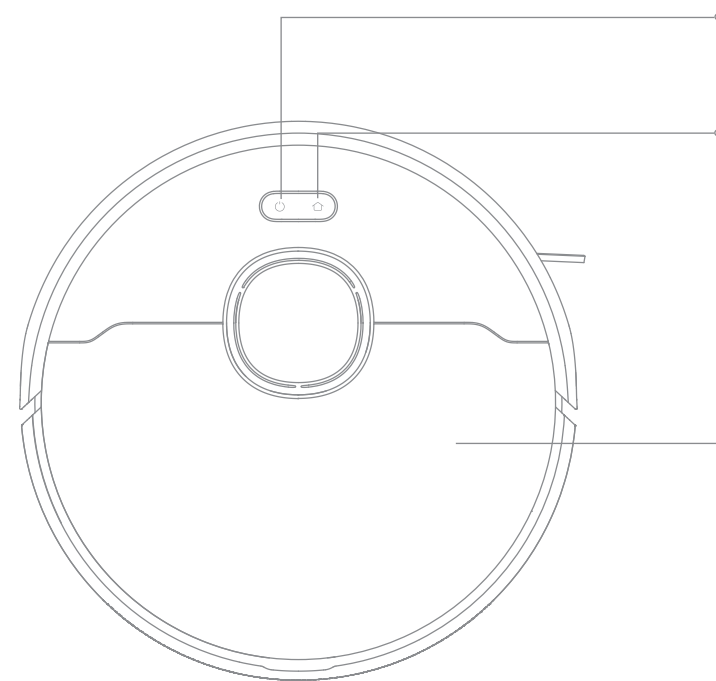
Боковая щетка



Шнур питания

## Описание изделия

### Робот



#### Кнопка питания/уборки

- Чтобы включить/выключить питание, нажмите кнопку и удерживайте в течение 3 секунд
- После включения робота нажмите кнопку, чтобы начать уборку

#### Кнопка док-станции/Кнопка локальной уборки

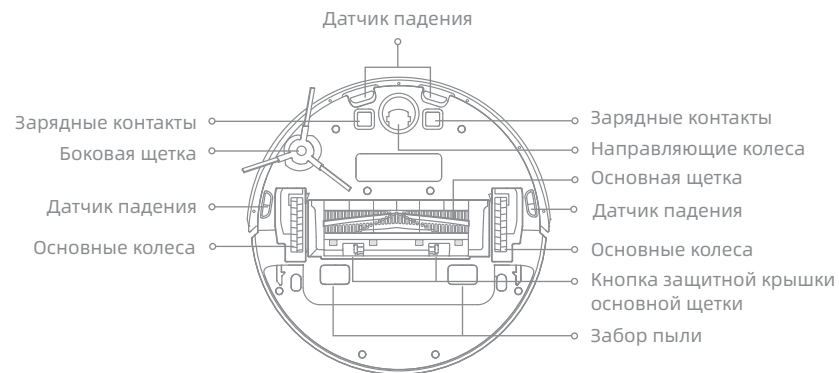
- Нажмите кнопку, чтобы вернуть робот на зарядную док-станцию
- Нажмите кнопку, чтобы включить режим локальной уборки

#### Индикатор состояния

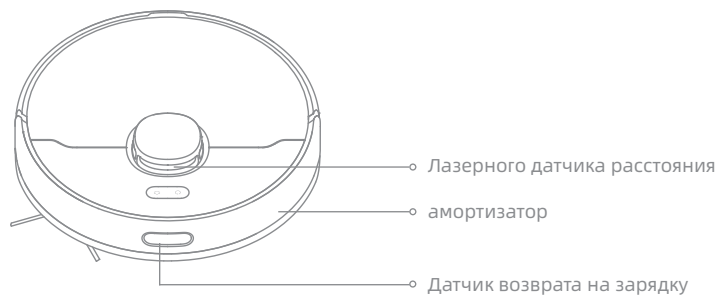
- Белый (постоянный): идет уборка/уборка завершена
- Оранжевый (мигающий): сбой
- Мигающий белый: робот заряжается при достаточном уровне заряда

#### Крышка

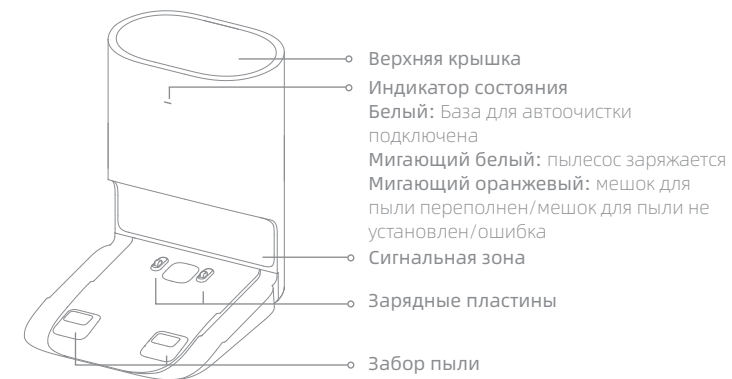
## Робот



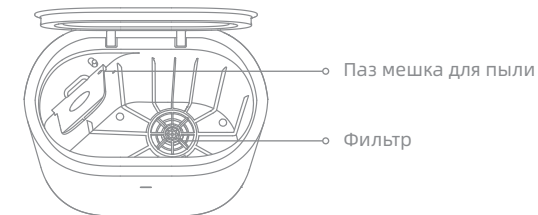
## Датчики робота



## База для автоочистки

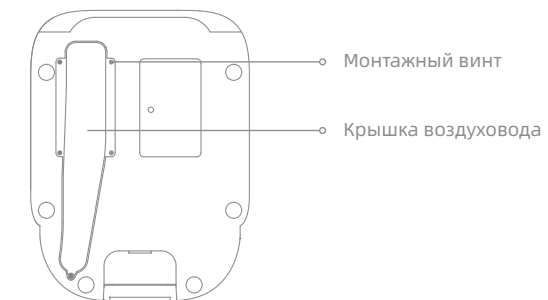
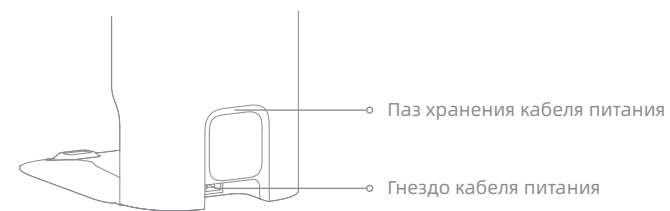


## откройте верхнюю крышку



## НИЖНЯЯ

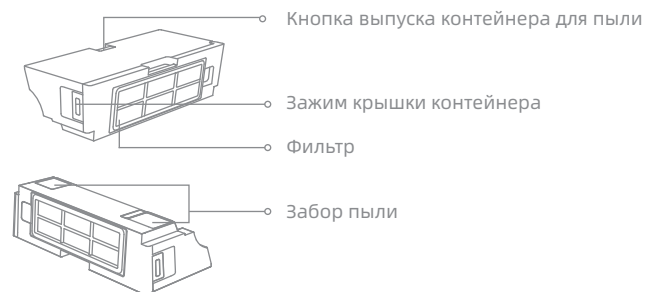
## задняя



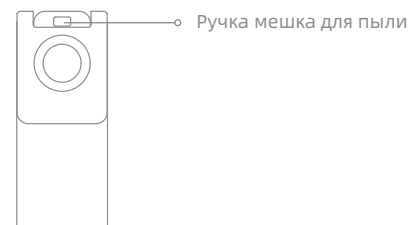


## Описание изделия

### Контейнер для пыли



### Мешок для пыли

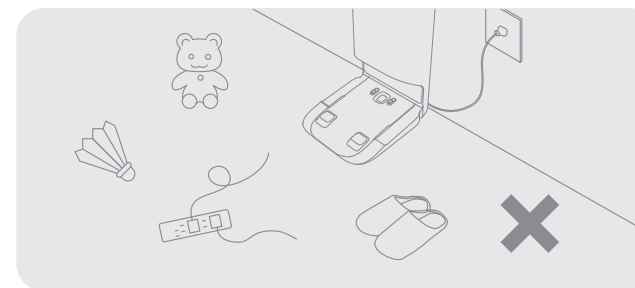


Примечание. В заводской комплектации уже установлен новый мешок для пыли.

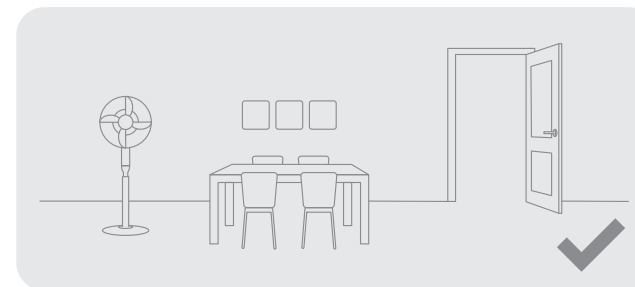
### Модуль швабры



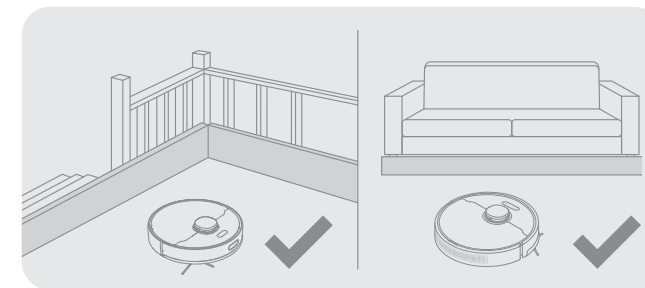
## Домашняя уборка



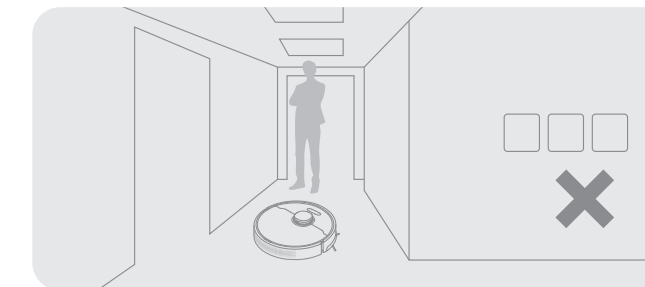
Для повышения эффективности уборки уберите с пола все посторонние предметы, например провода, полотенца, тапки и детские игрушки.



Откройте дверь помещения, в котором будет проводиться уборка, и расставьте мебель на правильные места, чтобы освободить больше пространства для уборки.



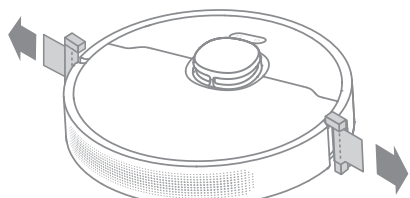
Перед уборкой установите физические барьеры у основания лестницы и рядом с диваном, чтобы обеспечить безопасность и бесперебойность работы пылесоса.



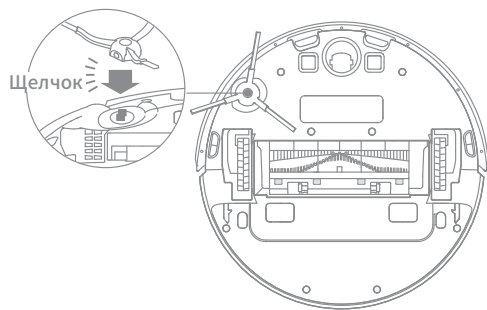
Не становитесь перед роботом, в дверном проеме и в узком проходе, чтобы робот мог корректно распознать зону предстоящей уборки.

## Подготовка к уборке

### 1. Удалите защитные элементы



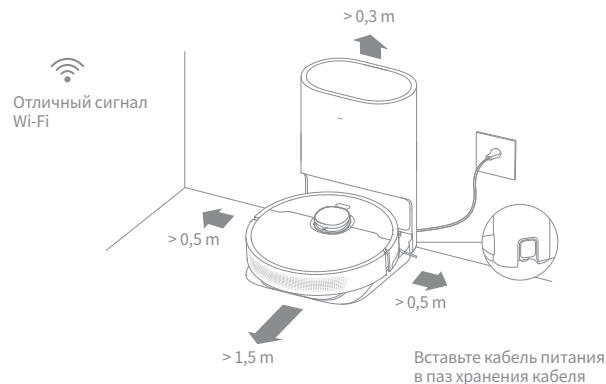
### 2. Установите боковую щетку



**Примечание.** Когда боковая щетка будет установлена на правильное место, раздастся щелчок.

### 3. Подключите базу к питанию и начните зарядку

Установите базу на ровную поверхность у стены и подключите к электропитанию. Установите пылесос на Базу для автоочистки для подзарядки. Пылесос автоматически включится и начнет подзарядку. Перед первым использованием рекомендуется полностью зарядить аккумулятор.



#### Примечание.

- Убедитесь, что на расстоянии 1,5 м спереди и 0,5 м от боковых сторон базы отсутствуют посторонние предметы.
- Убедитесь, что зона подачи сигнала свободна от посторонних объектов.

### О База для автоочистки

Рекомендуется обеспечить отправку пылесоса на уборку из базы. В таком случае пылесос сможет самостоятельно вернуться на базу. Не перемещайте базу в процессе работы пылесоса.

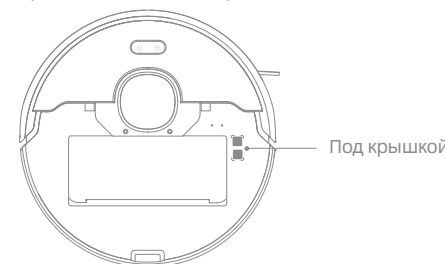
После того, как робот выполнит задачу уборки и автоматически вернется на базу, база начнет автоочистку. Используйте приложение, чтобы задать другие настройки.

## Подключение к приложению Dreamehome/Mi Home/Xiaomi Home

Изделие работает с приложением Dreamehome/Mi Home/Xiaomi Home, с помощью которого можно управлять вашим устройством.

### 1. Загрузка приложения Dreamehome/Mi Home/Xiaomi Home

Отсканируйте QR-код на работе или введите в поисковой строке магазина приложений Dreamehome, Mi Home либо Xiaomi Home, чтобы загрузить и установить приложение согласно требованиям.



### 2. Добавление устройства

**Приложение Mi Home/Xiaomi Home.** Откройте приложение Mi Home/Xiaomi Home app, нажмите значок в правом верхнем углу и отсканируйте QR-код выше повторно, чтобы добавить устройство Dreame Bot D10 Plus. Подключитесь к сети Wi-Fi согласно инструкциям.

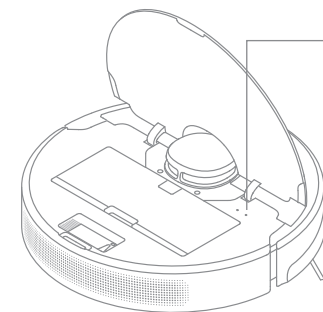
**Приложение Dreamehome.** Откройте приложение Dreamehome, нажмите значок в правом верхнем углу, перейдите на страницу Добавить устройство и затем выберите устройство Dreame Bot D10 Plus. Подключитесь к сети Wi-Fi согласно инструкциям.

#### Примечание.

- Функция беспроводной сети поддерживает только Wi-Fi с частотой 2.4ГГц.
- Версия приложения Mi Home/Xiaomi Home могла обновиться, поэтому фактический процесс настройки может отличаться от описанного выше. Следуйте инструкциям для текущей версии приложения Mi Home/Xiaomi Home.

### 3. Сброс Wi-Fi

Откройте верхнюю крышку, чтобы появился индикатор Wi-Fi. Одновременно с этим нажмите и удерживайте кнопки "⏪" и "⏩", пока не услышите голосовую подсказку "Ожидание настройки сети". Как только индикатор Wi-Fi начнет медленно мигать, робот перейдет в режим подключения к сети.





#### Индикатор Wi-Fi


- Мигание (медленное): ожидает подключения
- Мигание (быстрое): выполняется подключение
- Световой индикатор (постоянный): Wi-Fi подключен

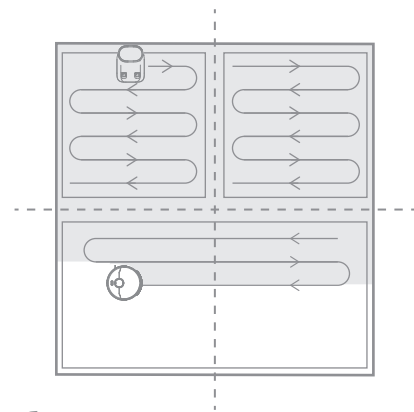
**Примечание.** Если ваш телефон не может подключиться к роботу, сбросьте настройки Wi-Fi и добавьте устройство повторно.

### 1. Включение/выключение

Нажмите и удерживайте кнопку  в течение 3 секунд, чтобы загорелся индикатор питания (постоянный) и робот перешел в режим ожидания. Чтобы выключить робот, нажмите и удерживайте кнопку  в течение 3 секунд, когда робот окажется в неподвижном положении.

### 2. Начало уборки

Нажмите на кнопку , чтобы выключить пылесос. После активации пылесос сгенерирует маршрут, последовательно выполнит уборку вдоль краев и стен, а затем закончит уборку каждой комнаты по S-образному маршруту для гарантии качества уборки.



### 3. Режим уборки

В приложении Dreamehome/Mi Home/Xiaomi Home доступны четыре режима уборки: тихий, стандартный, интенсивный и турборежим. Стандартный режим установлен по умолчанию.

### 4. Режим паузы/сна


**Пауза:** нажмите любую кнопку, чтобы приостановить робот во время уборки.

**Режим сна:** если в течение 10 минут робот не получит задачу, он автоматически перейдет в режим сна, а индикаторы питания и зарядки погаснут. Нажмите любую кнопку, чтобы активировать робот.

Примечание.

- Если робот не находится на подзарядке, он автоматически выключится через 12 часа в режиме сна.
- В случае остановки пылесоса поместите его на База для автоочистки, чтобы завершить текущую задачу уборки.

### 5. Режим локальной уборки

Если робот находится в режиме ожидания или приостановлен, нажмите и удерживайте кнопку  в течение 3 секунд, чтобы перейти в режим локальной уборки. В этом режиме робот будет убирать зону в радиусе 1,5 × 1,5 метра вокруг себя. После завершения локальной уборки робот автоматически вернется в изначальное положение и отключится.

Примечание. После активации режима локальной уборки текущая задача уборки будет завершена.

### 6. Больше функций приложения

В приложении Mi Home/Xiaomi Home доступны настройки расширенных функций, таких как уборка выбранной зоны, планирование зоны уборки, зоны ограниченного доступа/виртуальная стена и т. д.

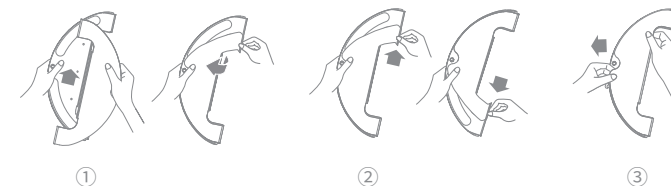
Примечание.

- Следуйте инструкциям в интерфейсе приложения, чтобы использовать больше функций.
- Версия приложения могла быть обновлена или частично изменена. Следуйте инструкциям для текущей версии приложения.

### 7. Функция уборки швабры

Для достижения лучшего результата уборки рекомендуется начать использовать режим швабры после 3 применений робота.


1) Выжмите швабру и удалите остатки воды. Вставьте швабру в паз водяного бака, как показано на рисунке, и надежно закрепите ее.

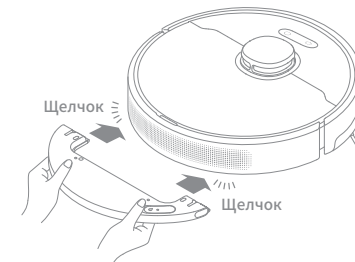


2) Откройте крышку водяного бака, наполните бак чистой водой и плотно закройте крышку.



Примечание. Не используйте чистящие и дезинфицирующие средства.

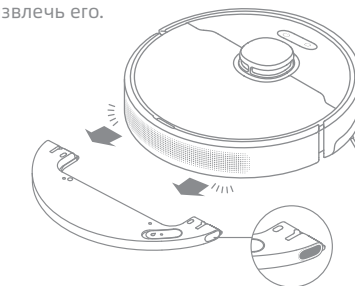
3) Вставьте водяной бак ровно в заднюю часть робота, пока не услышите щелчок. Начните уборку нажатием кнопки  или через приложение Dreamehome/Mi Home/Xiaomi Home.



Примечание.

- Не рекомендуется использовать функцию уборки шваброй на коврах.
- По мере необходимости регулируйте подачу воды к швабре с помощью мобильного приложения.

4) Надавите на два боковых зажима внутрь и толкните водяной бак назад, чтобы извлечь его.

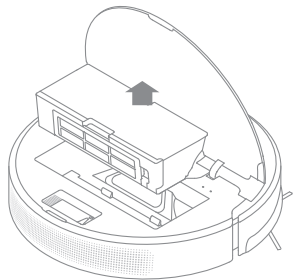


Примечание. Снимите модуль швабры, если робот находится на подзарядке или не используется, вылейте оставшуюся в баке воду и очистите губку швабры, чтобы предотвратить появление плесени и неприятного запаха.

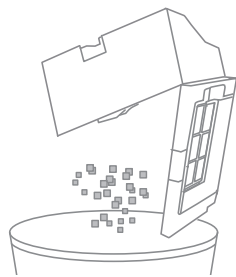
## Регулярный уход

### Контейнер для пыли \* Очищайте после каждого использования

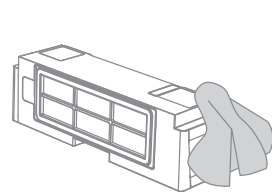
1. Откройте верхнюю крышку робота-пылесоса и надавите на зажимы контейнера для пыли, чтобы извлечь его.



2. Откройте крышку контейнера для пыли так, как показано на стрелке, и освободите содержимое контейнера.

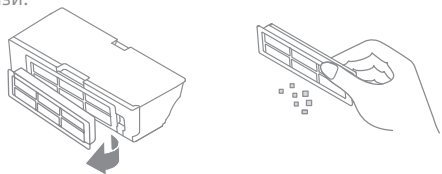


3. Очистка отверстия для забора пыли

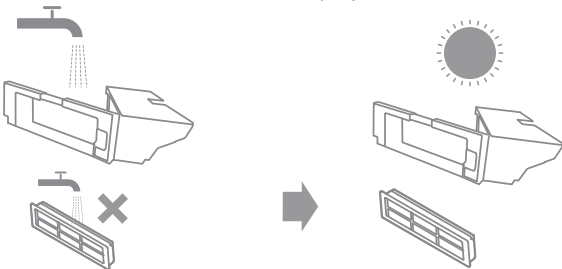


### Фильтр

1. Снимите фильтр, постучите по корпусу фильтра, чтобы удалить как можно больше грязи.



2. Запрещается промывать фильтр. Разрешается промывать только контейнер для пыли. Перед установкой на место его необходимо тщательно просушить.



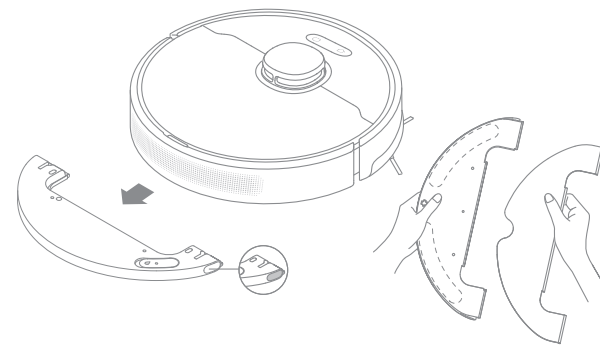
#### Примечание.

- Не пытайтесь очистить фильтр щеткой или пальцами.
- Используйте только чистую воду для промывки контейнера для пыли. Запрещается использовать чистящие средства.
- Полностью просушите контейнер для пыли перед использованием.
- Рекомендуется выполнять очистку фильтра раз в 2 недели, замену — каждые 3 месяца.

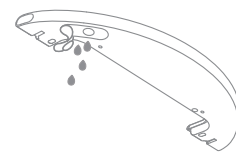
## Регулярный уход

### Модуль швабры

1. Нажмите на зажимы в боковой части водяного бака, снимите модуль швабры и извлеките губку.

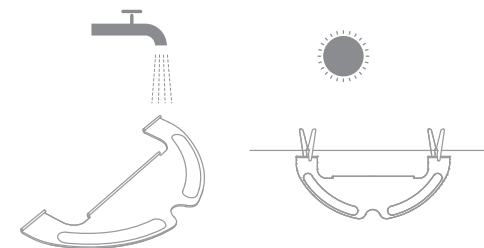


2. Слейте оставшуюся воду из водяного бака. Промойте бак водой и протрите насухо или оставьте высыхать естественным путем.



**Примечание.** Не подвергайте бак воздействию прямых солнечных лучей.

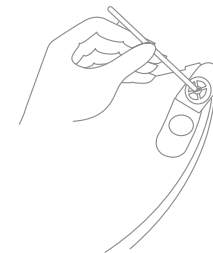
3. Промойте водой и высушите губку швабры.



#### Примечание.

- После окончания использования извлеките губку из модуля швабры, чтобы грязная вода не вылилась обратно в бак и не засорила отверстие для воды.
- Для оптимальной работы робота рекомендуется менять губку швабры каждые 3-6 мес.

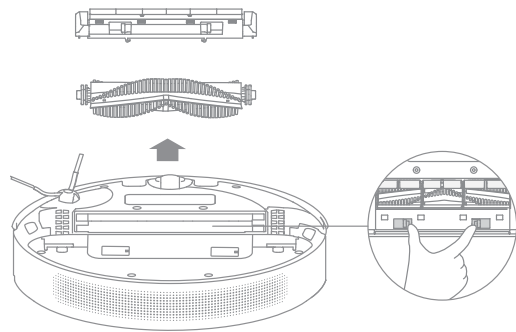
4. Если поток воды слабый или вода распределяется неравномерно, очистите воздушное отверстие в верхней части крышки водяного бака.



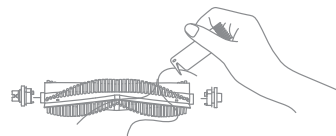
## Регулярный уход

### Очистка основной щетки

Надавите на зажимы с обеих сторон основной щетки внутрь, чтобы снять защиту, и извлеките щетку по направлению вверх.



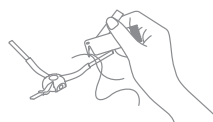
Снимите крышки с обеих сторон основной щетки, как показано на рисунке. Удалите спутанные волосы с щетки и подшипников с помощью чистящего инструмента.



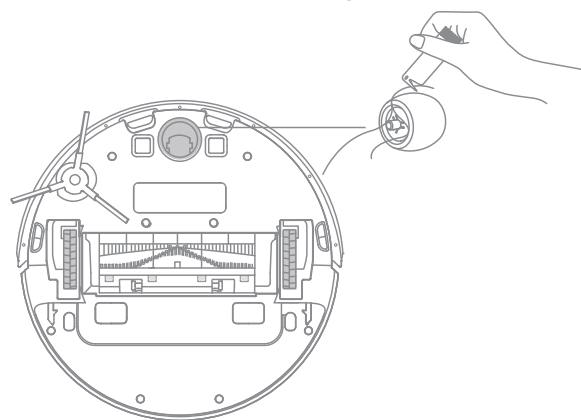
**Примечание.** Если на щетке осталось много спутанных волос, не тяните их с силой, чтобы не повредить щетку.

### Очистка боковых щеток

Снимите боковые щетки. Очистите щетки с помощью чистящего инструмента.



### Очистка основного колеса/направляющих колес

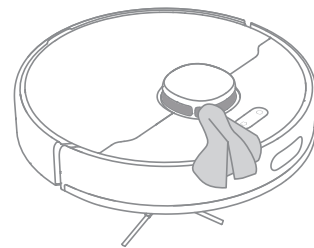


**Примечание.** Поверните оси колес с помощью мелких инструментов.

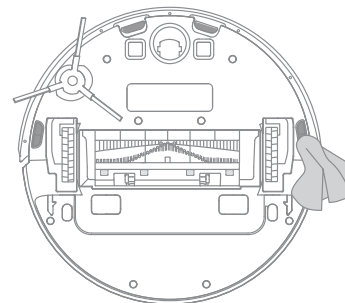
## Регулярный уход

**Примечание.** Для очистки внутренней поверхности робота или зарядной док-станции с чувствительными электроэлементами используйте сухое полотенце. Не используйте влажное полотенце, чтобы избежать повреждений из-за воды.

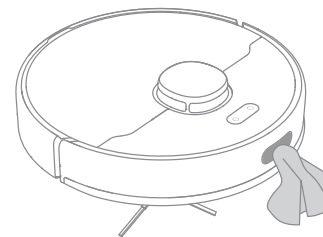
### Очистите лазерный датчик LDS



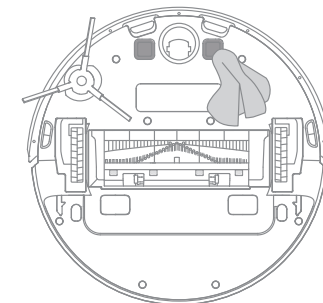
### Очистите датчик падения



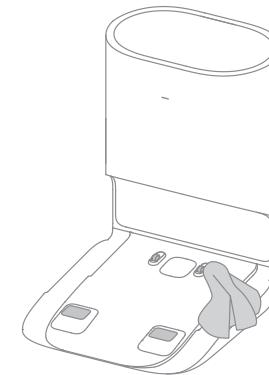
### Очистите Датчик возврата на зарядку



### Очистка зарядных контактов



### Выполните очистку зарядных контактов и отверстия для забора пыли

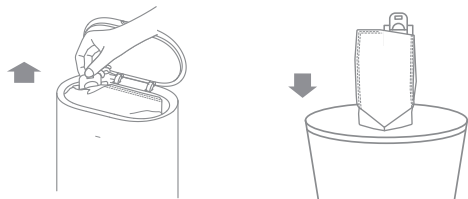


## Регулярный уход

### Замените мешок для пыли

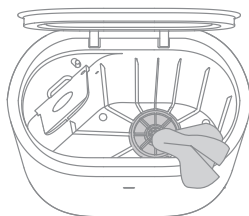
Согласно индикатору состояния (мигающий оранжевый) и подсказкам в приложении выполните замену мешка для пыли на новый, если старый переполнится. Рекомендуется выполнять замену мешка каждые 4-6 недель.

1. Утилизируйте мешок для пыли

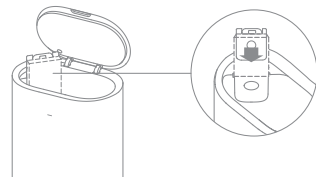


**Примечание.** Во время удаления мешка для пыли заблокируйте ручку, чтобы пыль не попала наружу.

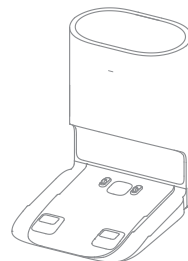
2. Очистите фильтр



3. Установите новый мешок для пыли



4. Закройте верхнюю крышку базы для автоочистки



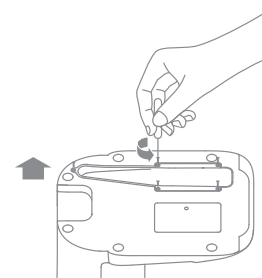
**Примечание.** Не применяйте силу, чтобы закрыть базу, если не получается закрыть ее верхнюю крышку или отсутствует установленный мешок для пыли.

## Регулярный уход

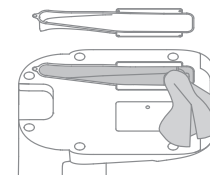
### Очистка воздуховода

В случае засорения воздуховода очистите его, следуя инструкциям ниже.

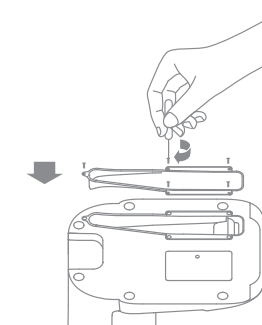
1. Открутите монтажные винты на крышке воздуховода и снимите ее.





2. Проверьте воздуховод на наличие посторонних предметов. При наличии засорений очистите воздуховод.



3. Повторно установите крышку воздуховода, как показано на схеме.



### Перезапуск работа

Если робот перестал реагировать и не выключается, выключите его принудительно, нажав и удерживая кнопку  в течение 6 секунд. Затем нажмите и удерживайте кнопку  в течение 3 секунд, чтобы включить робот повторно.

### Аккумулятор

В робот встроен высокоэффективный литий-ионный аккумуляторный блок. При ежедневном использовании заряжайте аккумулятор полностью, чтобы поддерживать технические характеристики аккумулятора. Если робот не используется в течение долгого времени, отключите его и уберите на хранение. Во избежание повреждений из-за чрезмерной разрядки робот необходимо подзаряжать не реже, чем один раз в три месяца.

## Индикатор состояния

В таблице ниже перечислены возможные причины и пути решения неполадок в зависимости от цвета индикатора. Для получения подробной информации см. раздел «Вопросы и ответы» (FAQ) данной инструкции.

Цвет индикатора	Возможная причина	Решение
Выкл	Нет электропитания	Проверьте базу и убедитесь в наличии электропитания.
	Робот находится в режиме Не беспокоить При полном заряде аккумулятора робот переходит в спящий режим	/
Белый (постоянный)	Робот находится вне базы	/
Мигающий белый	Робот заряжается	/
Оранжевый (мигающий)	Ошибка	Проверьте наличие мешка для пыли. Если мешок не установлен, установите. Проверьте качество установки мешка для пыли.
		Проверьте закрытие верхней крышки. Если крышка не закрыта, плотно закройте.
		Проверьте наполненность мешка для пыли. Если мешок переполнен, замените. Удалите загрязнения вокруг отверстия для забора пыли и базы для автоочистки.
		Вытащите кабель питания из базы для автоочистки и проверьте наличие посторонних объектов, блокирующих крышку воздуховода. При наличии удалите их.
		Проверьте наличие контейнера для пыли. При других ошибках свяжитесь с техническими специалистами или сотрудниками постпродажного обслуживания.

## Вопросы и ответы

Тип проблемы	Решение
Робот не включается	Низкий уровень заряда. Зарядите робот на базе для автоочистки и повторите попытку. Температура окружающей среды слишком низкая (ниже 0° C) или слишком высокая (выше 40° C). Диапазон рабочей температуры робота: от 0° C до 40° C.
Робот не заряжается	База для автоочистки обесточена. Убедитесь, что оба конца кабеля питания подключены корректно. Слабый контакт. Очистите зарядные контакты базы для автоочистки и робота.
Пылесос не может вернуться на База для автоочистки.	Слишком много препятствий рядом с базой для зарядки и сбора пыли. Поместите базу на более открытое пространство. Очистите зону подачи сигнала базы для автоочистки. В результате перемещения робота может произойти изменение локации или изменение карты окружающей планировки. Если робот находится слишком далеко от базы для автоочистки, он не сможет автоматически вернуться на базу самостоятельно. В таком случае необходимо вручную вернуть пылесос на базу для автоочистки.
Сбой в работе робота	Выключите и перезапустите робот.
Посторонние звуки во время уборки	В основной и боковой щетках или в одном из основных колес мог застрять посторонний предмет. Остановите робот и удалите весь мусор.
Робот стал хуже убирать или оставляет после себя грязь	Контейнер для пыли переполнен. Очистите контейнер и отверстие для забора пыли. Фильтр забит. Очистите его. В основную щетку попал посторонний предмет. Уберите его.

Тип проблемы	Решение
Робот не подключается к Wi-Fi	<p>Сбой подключения к беспроводной сети Wi-Fi. Сбросьте настройки Wi-Fi, загрузите последнюю версию приложения Dreamehome/ Mi Home/Xiaomi Home, а затем попробуйте подключиться повторно.</p> <p>Функция определения местоположения не открывается. Убедитесь, что в приложении Dreamehome/ Mi Home/ Xiaomi Home включена функция определения местоположения.</p> <p>Слабый сигнал Wi-Fi. Переместите робот в зону с устойчивым сигналом Wi-Fi.</p> <p>Робот не поддерживает Wi-Fi с частотой 5 ГГц. Убедитесь, что ваш робот подключен к Wi-Fi 2.4 ГГц.</p> <p>Неверное имя пользователя или пароль домашнего Wi-Fi. Убедитесь, что имя пользователя и пароль введены правильно.</p>
Не работает режим "Запланированная уборка"	Низкий уровень заряда аккумулятора. Своевременно подзарядите робот, чтобы включить режим "Запланированная уборка".
Будет ли расходоваться электричество, если оставить пылесос на зарядной станции после полной зарядки?	Если оставить пылесос на автоматически опоражнваемой базы после того, как пылесос полностью зарядится, будет потребляться очень небольшое количество электричества. Это необходимо для сохранения оптимальных рабочих характеристик аккумулятора.
Модуль швабры не подает воду или подает незначительный объем воды	<p>Убедитесь, что в водяном баке есть вода.</p> <p>Очистите губку швабры, если она загрязнилась.</p> <p>Убедитесь, что губка швабры установлена правильно в соответствии с руководством по эксплуатации.</p> <p>Своевременно очищайте воздушное отверстие в верхней части крышки водяного бака.</p>
Робот не продолжает уборку после зарядки	<p>Убедитесь, что робот не перешел в режим "Не беспокоить", в котором он не может возобновить уборку.</p> <p>Пылесос не продолжает уборку после подзарядки или возврата на База для автоочистки вручную.</p>

Тип проблемы	Решение
Робот возвращается на базу для автоочистки без выполнения задач по автоочистке	В режиме Не беспокоить робот не сможет автоматически выполнять соответствующие задачи.
Мешок для пыли переполнен	Проверьте наполненность мешка для пыли. Если мешок переполнен, замените его на новый. Рекомендуется выполнять замену каждые 4-6 недель. Если мешок не переполнен, проверьте отверстие для забора пыли и воздуховод в нижней части базы на наличие засорений. Удалите все блокирующие объекты перед использованием.
Иногда сбор пыли занимает слишком много времени.	В случае, когда пылесос выполняет задачи по сбору пыли продолжительное время или воздуховод неисправен, сбор пыли может занимать больше времени для предотвращения блокировки.
Невозможно закрыть верхнюю крышку базы	Проверьте наличие мешка для пыли. Если мешок не установлен, установите.



## Робот

Модель	RLS3D
Аккумулятор	5200 мА/ч (Номинальная мощность аккумулятора)
Время зарядки	Около 6 ч
Беспроводное подключение	Wi-Fi IEEE 802.11b/g/n 2,4 ГГц
Совместимость ОС	Android 4,4 или iOS 10,0 и выше
Номинальное напряжение	14,4 В ===
Номинальная мощность	46 Вт
Рабочая частота	2400-2483,5 МГц
Макс. выходная мощность	< 20 дБм

## Автоматически опоражнваемой базы

Модель	RCS7
Номинальная входная мощность	220-240 В ~ 50-60 Гц
Номинальная выходная мощность	19,8 В === 1 А
Номинальная мощность	600 Вт

## Информация об утилизации и переработке отходов электрического и электронного оборудования



Все изделия, обозначенные символом отдельного сбора отработанного электрического и электронного оборудования (WEEE, директива 2012/19/EU), следует утилизировать отдельно от несортируемых бытовых отходов. С целью охраны здоровья и защиты окружающей среды такое оборудование необходимо сдавать на переработку в специальные пункты приема электрического и электронного оборудования, определенные правительством или местными органами власти. Правильная утилизация и переработка помогут предотвратить возможные негативные последствия для окружающей среды и здоровья человека. Чтобы узнать, где находятся такие пункты сбора и как они работают, обратитесь в компанию, занимающуюся установкой оборудования, или в местные органы власти.

## Informacje dotyczące bezpieczeństwa

## Ograniczenia w użytkowaniu

- Ten produkt może być używany przez dzieci w wieku powyżej 8 lat oraz osoby o ograniczonych zdolnościach ruchowych, sensorycznych lub umysłowych, a także przez osoby o ograniczonym doświadczeniu lub znajomości sprzętu, wyłącznie pod nadzorem rodzica lub opiekuna w celu zapewnienia bezpiecznego użytkowania i uniknięcia zagrożeń. Czyszczenie i konserwacja nie powinny być przeprowadzane przez dzieci bez nadzoru.
- Dzieci nie mogą bawić się tym produktem. Należy upewnić się, że dzieci i zwierzęta domowe przebywają w bezpiecznej odległości od odkurzacza z mopem podczas jego pracy.
- Ten produkt jest przeznaczony wyłącznie do czyszczenia podłóg w środowisku domowym. Nie należy używać go na zewnątrz, na powierzchniach innych niż podłogi oraz w pomieszczeniach komercyjnych lub przemysłowych.
- Robot nie należy używać na obszarze zawieszonym nad ziemią bez uprzedniego zastosowania bariery ochronnej.
- Nie należy umieszczać robota do góry nogami. Nie należy używać pokrywy czunika laserowego LDS, pokrywy robota ani zderzaka, jako uchwytu.
- Nie należy używać robota w temperaturze powyżej 40°C lub poniżej 0°C, a także na podłogach z płynami lub lepкими substancjami.
- Przed użyciem robota należy podnieść z podłogi wszelkie przewody, aby zapobiec ich przemieszczaniu podczas czyszczenia.
- Należy usunąć z podłogi wszelkie delikatne lub małe przedmioty, aby zapobiec ich uszkodzeniu w przypadku zderzenia.

**Ograniczenia w użytkowaniu**

- Należy trzymać włosy, palce i inne części ciała z dala od otworu ssącego robotów.
- Trzymać przyrząd do czyszczenia szczotki poza zasięgiem dzieci.
- Nie wolno umieszczać dzieci, zwierząt domowych ani żadnych przedmiotów na robocie, niezależnie od tego, czy jest on nieruchomy, czy się porusza.
- Nie używać robota do czyszczenia jakichkolwiek palnych substancji.
- Nie odkurzaj twardych ani ostrych przedmiotów.
- Przed czyszczeniem lub konserwacją należy upewnić się, że robot jest wyłączony, a stacja ładująca jest odłączona od zasilania.
- Nie należy używać mokrej szmatki do wycierania ani żadnych płynów do opłukiwania robota i podstawy. Elementy możliwe do czyszczenia muszą być pozostawione do całkowitego osuszenia przed ich ponownym montażem i użyciem.
- Produktu należy używać zgodnie z instrukcjami zawartymi w instrukcji obsługi. Użytkownicy ponoszą odpowiedzialność za wszelkie straty lub szkody wynikające z niewłaściwego użytkowania tego produktu.

**Akumulator i ładowanie**

- Nie należy używać zamienników akumulatora, ładowarki ani podstawy auto-opróżniającej. Do stosowania wyłącznie z zasilaczem RCS7.
- Nie należy podejmować samodzielnych prób rozbierania, naprawy lub modyfikowania akumulatora lub podstawy auto-opróżniającej.
- Nie należy stawiać podstawy auto-opróżniającej w pobliżu źródła ciepła.

**Akumulator i ładowanie**

- Nie należy używać mokrej szmatki ani ściereczki z płynem do wycierania styków ładowania podstawy auto-opróżniającej.
- Utylizować stare akumulatory we właściwy sposób. Zbędne akumulatory należy przykazywać do odpowiednich zakładów zajmujących się recyklingiem.
- Jeśli przewód zasilający zostanie uszkodzony lub zepsuty, należy natychmiast zaprzestać jego używania i skontaktować się z działem obsługi posprzedażnej.
- Na czas transportu należy upewnić się, że robot jest wyłączony oraz, w miarę możliwości, znajduje się w oryginalnym opakowaniu.
- Jeżeli robot nie będzie używany przez dłuższy czas, należy naładować go do pełna, a następnie wyłączyć i przechowywać w chłodnym i suchym miejscu. Ładować robota co najmniej raz na 3 miesiące, aby uniknąć nadmiernego rozładowania akumulatora.
- Wewnątrz tego produktu znajdują się akumulatory, które mogą być wymieniane wyłącznie przez wykwalifikowanych techników lub serwis posprzedażny.

**Czujnik laserowy LDS**

- Czujnik laserowy LDS jest zgodny z normą IEC 60825-1:2014 dla produktów laserowych klasy 1 i nie promieniuje niebezpiecznego promieniowania laserowego.

Niniejszym firma Dreame Trading (Tianjin) Co., Ltd. oświadczając, że urządzenie radiowe typu RLS3D jest zgodne z dyrektywą 2014/53/UE. Pełny tekst deklaracji zgodności z UE jest dostępny na następującej stronie internetowej: <https://global.dreametech.com>  
Szczegółową elektroniczną instrukcję obsługi można znaleźć na stronie <https://global.dreametech.com/pages/user-manuals-and-faqs>

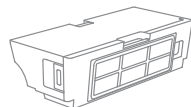
## Przegląd produktu

### Akcesoria

#### Wstępnie zainstalowane akcesoria



Szczotka główna



Pojemnik na kurz

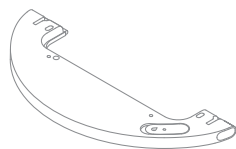


Przyrząd do czyszczenia

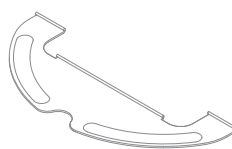


Worek na kurz x2  
(wstępnie zamontowany 1)

#### Inne akcesoria



Zbiornik na wodę



Wkład myjący



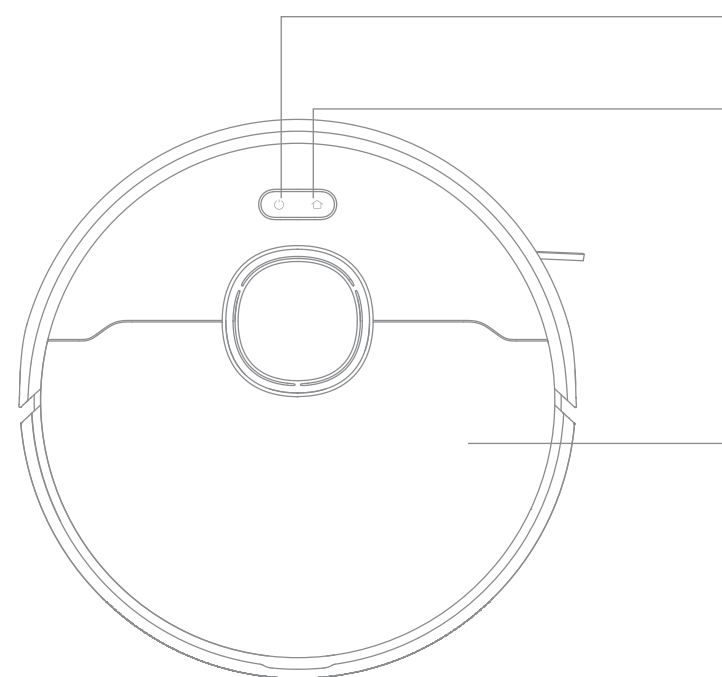
Szczotka boczna



Kabel zasilania

## Przegląd produktu

### Robot



- Przycisk zasilania/czyszczenia
  - Naciśnij i przytrzymaj przez 3 sekundy
  - Po włączeniu robota, naciśnij, aby rozpocząć czyszczenie

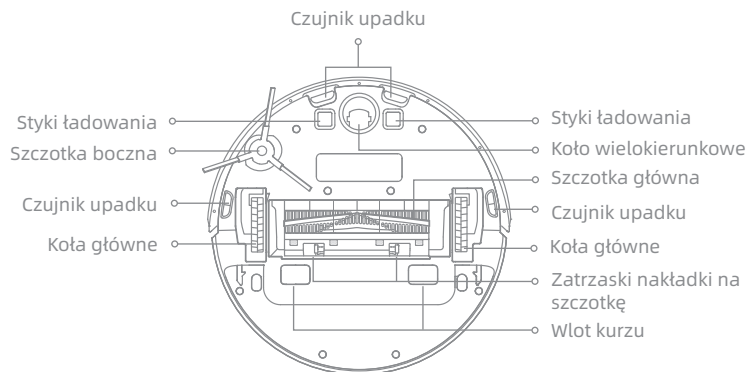
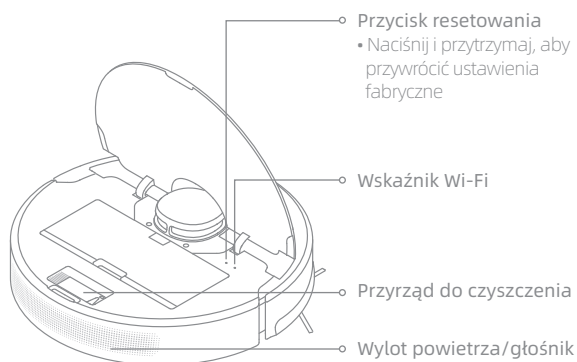
- Przycisk dokowania/Przycisk czyszczenia punktowego
  - Naciśnij, aby odesłać robota do stacji ładującej
  - Naciśnij krótko, aby uruchomić tryb czyszczenia punktowego

#### Wskaźnik stanu

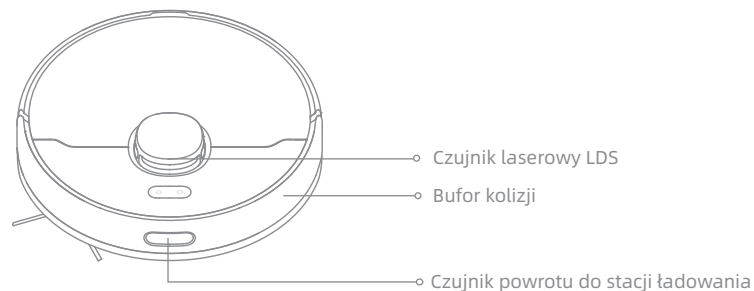
- Światło białe:** czyszczenie w toku lub czyszczenie zakończone
- Migające światło pomarańczowe:** błąd
- Falujące Białe:** Robot jest w trakcie ładowania, gdy poziom naładowania baterii nie jest niski

- Pokrywa

## Robot



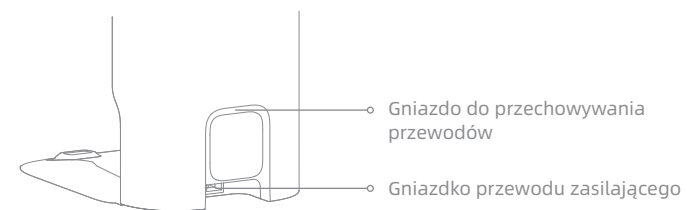
## Czujniki robota



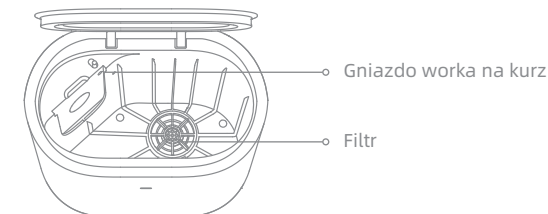
## Podstawy auto-opróżniającej



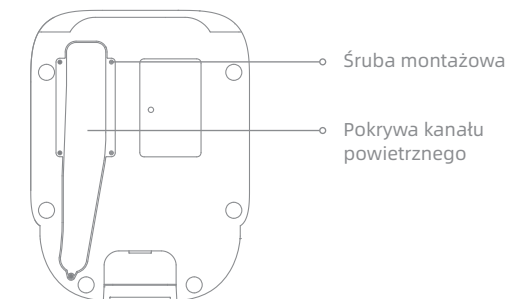
## Tył



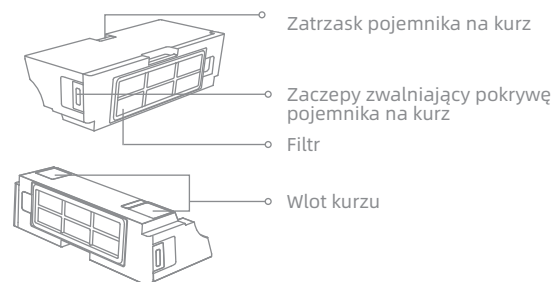
## Otwórz górną pokrywę



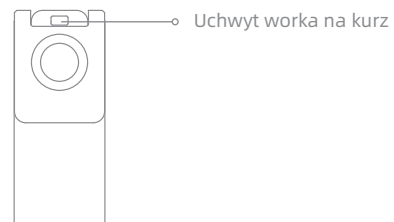
## Dół



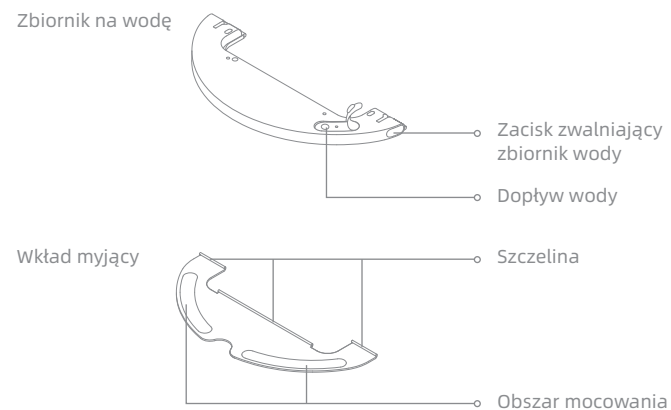
## Pojemnik na kurz



## Worek na kurz

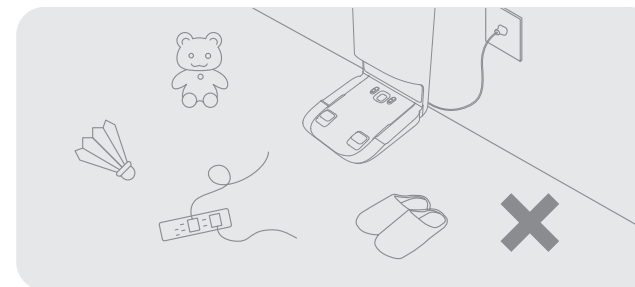


## Moduł mopujący

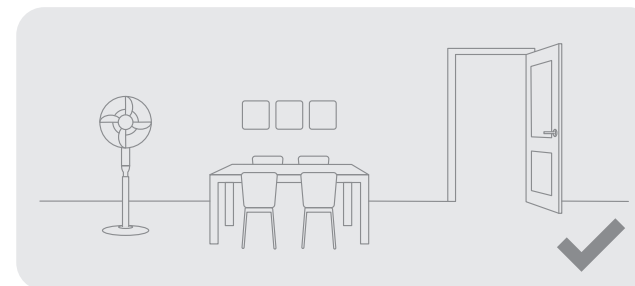


**Uwaga:** Ze względu na ustawienie fabryczne, nowy worek na kurz został już zamontowany w środku.

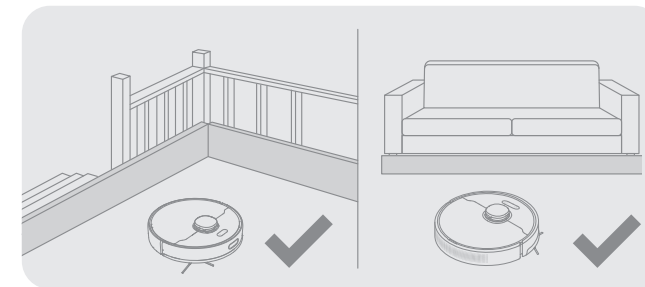
## Czyszczenie środowiska domowego



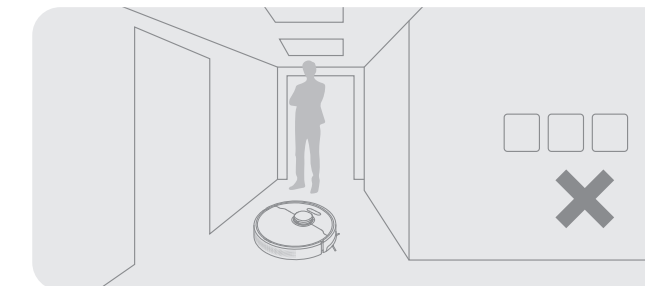
Aby poprawić wydajność pracy robota, schowaj luźne przewody, ścierki, kaptcie, zabawki itp.



Otwórz drzwi do sprzątanego pomieszczenia i umieść meble tak, aby uzyskać więcej miejsca.

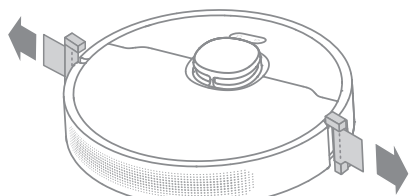


Przed czyszczeniem użyj fizycznej zapory na krawędziach schodów i sof, aby zapewnić bezpieczną i płynną pracę robota.

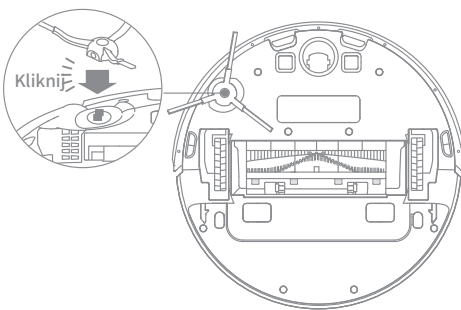


Aby zapobiec nierozpoznanemu czyszczonego obszaru, nie stawaj bezpośrednio przed robotem, na progu, w korytarzu lub w wąskich miejscach.

### 1. Zdejmij paski ochronne



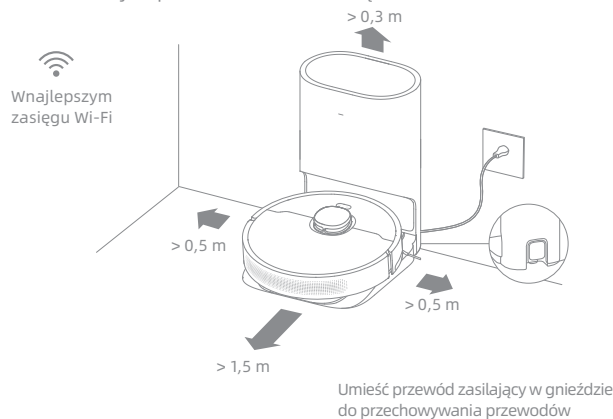
### 2. Zamontuj szczotkę boczną



**Uwaga:** Zamontuj szczotkę boczną, aż usłyszysz kliknięcie.

### 3. Podłącz podstawę do gniazdka elektrycznego i rozpocznij ładowanie

Podstawę auto-oprózniająca należy umieścić na równym podłożu przy ścianie i podłączyć do gniazdka. Umieść robota na podstawie auto-oprózniającej. Robot zacznie się automatycznie ładować. Przed pierwszym użyciem zalecane jest pełne naładowanie urządzenia.



**Uwaga:**

- Należy zachować co najmniej 0,5 metra wolnej przestrzeni po obu stronach podstawy auto-oprózniającej oraz co najmniej 1,5 metra wolnej przestrzeni przed nią.
- Nie należy blokować obszaru emisji sygnału podstawy auto-oprózniającej żadnymi przedmiotami.

### Informacje o podstawie auto-oprózniającej

W celu zapewnienia pynnego powrotu robota do podstawy auto-opró niaj cej, zaleca si , aby robot opu ci podstaw przed czyszczeniem. Nie nale y przesuw a podstawy auto-opró niaj cej podczas pracy robota.

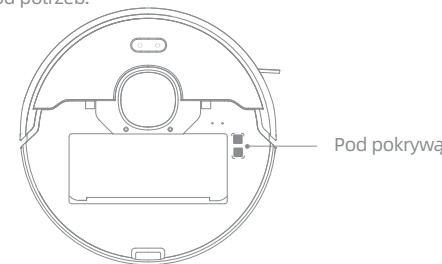
Po zakończeniu zadania czyszczenia przez robota i jego automatycznym powrocie do podstawy, rozpocznie si zadanie auto-opró niania. Wi cej ustawię mo na obs ugi w w aplikacji.

## Połącz z aplikacją Dreamehome/Mi Home/Xiaomi Home

Ten produkt współpracuje z aplikacją Dreamehome/Mi Home/Xiaomi Home, która może być używana do sterowania urządzeniem.

### 1. Pobierz aplikację Dreamehome/Mi Home/Xiaomi Home App

Zeskanuj kod QR na robocie lub wyszukaj "Dreamehome", "Mi Home" lub "Xiaomi Home" w sklepie z aplikacjami, aby pobrać i zainstalować aplikację w zależności od potrzeb.



### 2. Dodaj urządzenie

Aplikacja Mi Home/Xiaomi Home: Otwórz Mi Home/Xiaomi Home app, kliknij "⊕" w prawym górnym rogu i zeskanuj ponownie powyższy kod QR, aby dodać "Dreame Bot D10 Plus". Postępuj zgodnie z komunikatami, aby zakończyć połączenie Wi-Fi.

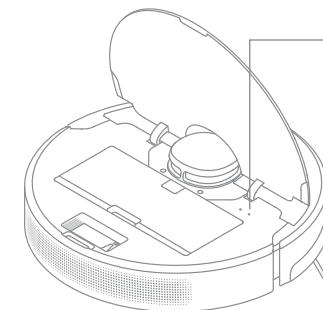
Aplikacja Dreamehome: Otwórz aplikację Dreamehome, kliknij "⊕" w prawym górnym rogu, aby przejść do sekcji "Dodaj urządzenie", a następnie wybierz "Dreame Bot D10 Plus". Postępuj zgodnie z instrukcjami, aby zakończyć połączenie Wi-Fi.

**Uwaga:**

- Obsługiwane jest tylko Wi-Fi 2,4 GHz.
- Wersja aplikacji mogła zostać uaktualniona. Wykonuj instrukcje zgodnie z bieżącą wersją aplikacji.

### 3. Resetowanie połączenia Wi-Fi



Otwórz górną pokrywę odkurzacza, aby zobaczyć wskaźnik Wi-Fi. Następnie naciśnij jednocześnie przyciski i i przytrzymaj je do momentu usłyszenia komunikatu głosowego o oczekiwaniu na konfigurację sieci. Gdy wskaźnik Wi-Fi zacznie powoli migać, będzie to oznaczało, że połączenie zostało pomyślnie zresetowane.




- Wskaźnik Wi-Fi
- Powolne miganie: oczekiwanie na połączenie
- Szybkie miganie: łączenie
- Włączony: połączono z Wi-Fi

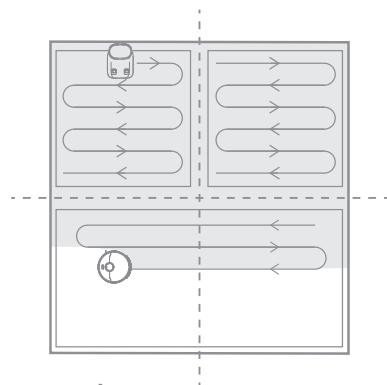
**Uwaga:** Gdy telefon nie zdoła się połączyć z odkurzaczem, zresetuj sieć Wi-Fi i dodaj urządzenie ponownie.

### 1. Włączanie/wyłączanie

Naciśnij i przytrzymaj przycisk  przez 3 sekundy, aby włączyć odkurzacz. Gdy wskaźnik zasilania zacznie świecić ciągłym białym światłem, będzie to oznaczać, że robot jest w trybie czuwania. Aby go wyłączyć, należy wcisnąć i przytrzymać przycisk  przez 3 sekundy, gdy urządzenie nie będzie się poruszało. Wyłączenie robota spowoduje zakończenie bieżącego zadania czyszczenia.

### 2. Czyszczenie

Naciśnij krótko przycisk  w celu włączenia odkurzacza. Po włączeniu odkurzacz dokładnie wyznaczy trasę czyszczenia, metodycznie oczyści wzdłuż krawędzi i ścian, a następnie zakończy czyszczenie każdego pomieszczenia zygzakiem, zapewniając dokładność i wydajność pracy.



### 3. Tryb czyszczenia

W aplikacji Dreamehome/Mi Home/Xiaomi Home dostępne są cztery tryby czyszczenia: cichy, standardowy, silny i turbo. Domyślnym trybem jest tryb standardowy.

### 4. Wstrzymywanie/Tryb uśpienia


**Wstrzymywanie:** Wciśnij dowolny przycisk, aby wstrzymać pracę robota podczas czyszczenia.

**Tryb uśpienia:** Robot automatycznie wejdzie w tryb uśpienia po 10 minutach bezczynności, po czym wskaźniki zasilania i ładowania zgasną. Aby go wybudzić, należy wcisnąć dowolny przycisk.

Uwaga:

- Odkurzacz wyłączy się automatycznie po 12 godzinach w trybie czuwania.
- Wstrzymanie pracy robota i umieszczenie go na podstawie auto-opóźniającej spowoduje zakończenie bieżącego zadania czyszczenia.

### 5. Tryb czyszczenia punktowego

Gdy robot jest wstrzymany lub przełączony w tryb czuwania, należy wcisnąć przycisk  i przytrzymać go przez 3 sekundy, aby uruchomić tryb czyszczenia punktowego. W tym trybie robot oczyści kwadratową powierzchnię o wymiarach 1,5 x 1,5 metra bezpośrednio wokół siebie. Po zakończeniu czyszczenia punktowego robot automatycznie wróci do pierwotnego położenia i wyłączy się.

Uwaga: włączenie trybu czyszczenia punktowego spowoduje zakończenie bieżącego zadania czyszczenia.

### 6. Więcej funkcji aplikacji

Za pomocą aplikacji można skonfigurować zaawansowane funkcje, takie jak sprzątanie wybranego pomieszczenia, czyszczenie danego obszaru, edycja obszaru, wyznaczenie zakazanego obszaru/ wirtualnej ściany i wiele innych.

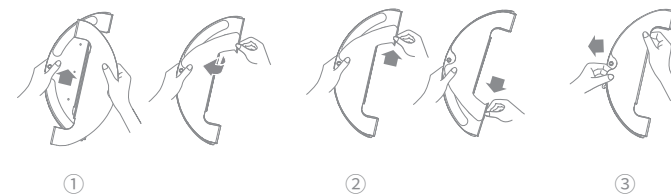
Uwaga:

- Postępuj zgodnie z instrukcjami w interfejsie aplikacji, aby korzystać z większej liczby funkcji.
- Wersja aplikacji mogła zostać zaktualizowana i należy postępować zgodnie z instrukcjami opartymi na aktualnej wersji aplikacji.

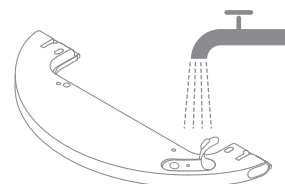
### 7. Użycie funkcji mopowania

Zaleca się odkurzanie wszystkich podłóg co najmniej trzy razy przed pierwszym myciem, aby uzyskać lepszy efekt czyszczenia.

1) Należy zwilżyć podkładkę mopa i wykręcić nadmiar wody. Następnie włożyć podkładkę mopa do szczeliny zbiornika na wodę, jak pokazano na rysunku, i mocno wcisnąć podkładkę.

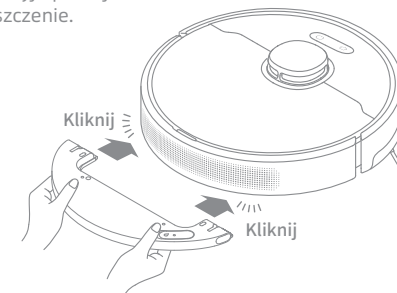


2) Otwórz pokrywę zbiornika i wlej wodę, a następnie dokładnie zamknij pokrywę.



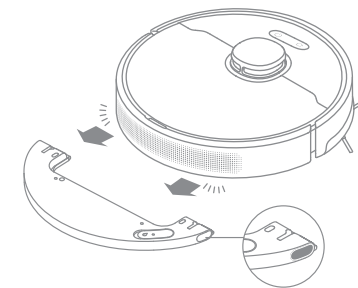
Uwaga: Nie używać żadnych środków czyszczących ani dezynfekujących.

3) Wyrównaj moduł mopujący zgodnie ze strzałką, a następnie wsuń go z tyłu robota, aż do jego zatrzaśnięcia we właściwej pozycji. Naciśnij przycisk  lub użyj aplikacji Dreamehome/Mi Home/Xiaomi Home, aby rozpocząć czyszczenie.



Uwaga:

- Nie zaleca się używania funkcji mopowania na dywanach.
  - Za pomocą aplikacji można regulować przepływ wody w zależności od potrzeb.
- 4) Aby wyjąć zbiornik wody należy nacisnąć boczne zatrzaski i pociągnąć moduł mopujący.

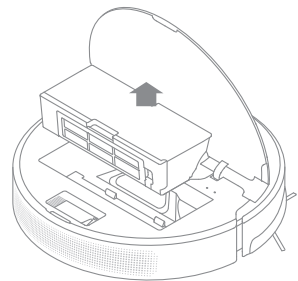


Uwaga: Gdy odkurzacz ładuje się lub nie jest używany, należy wyjąć moduł mopujący, wylać wodę pozostałą w zbiorniku i umyć wkład myjący, aby zapobiec powstawaniu pleśni lub utrzymywaniu się nieprzyjemnych zapachów.

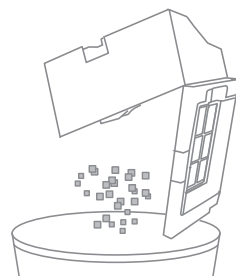
## Dzienna konserwacja

### Pojemnik na kurz \* Zaleca się czyszczenie po każdym użyciu

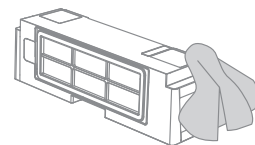
1. Otwórz pokrywę robota i naciśnij zatrzask, aby wyjąć pojemnik na kurz.



2. Otwórz pokrywę pojemnika zgodnie z diagramem.

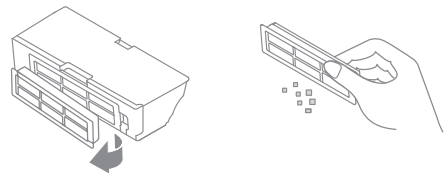


3. Oczyszczanie wlotu kurzu

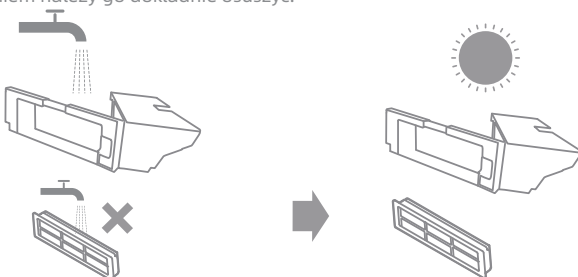


### Filtr

1. Wyjmij filtr i delikatnie postukaj, aby usunąć brud.



2. Nie należy myć filtra. Tylko pojemnik na kurz nadaje się do mycia. Przed ponownym zamontowaniem należy go dokładnie osuszyć.



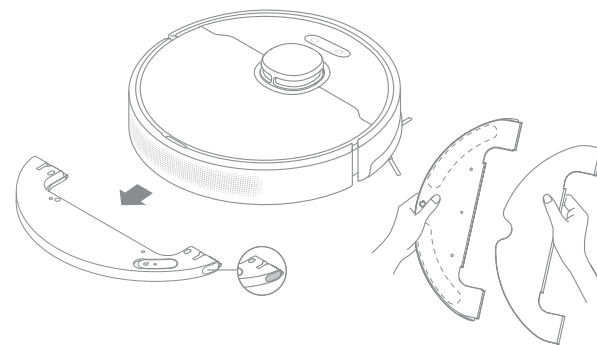
### Uwaga:

- Nie należy czyścić filtra szczotką ani palcem.
- Pojemnik na kurz należy płukać wyłącznie czystą wodą. Nie należy używać żadnych detergentów.
- Pojemnik na kurz należy używać tylko po jego całkowitym osuszeniu.
- Zaleca się czyszczenie filtra co dwa tygodnie i jego wymianę co trzy miesiące.

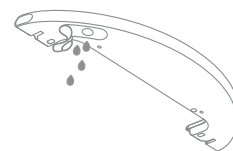
## Dzienna konserwacja

### Modułu mopującego

1. Należy nacisnąć boczne zatrzaski wkładu myjącego i pociągnąć moduł myjący, aby go wyjąć.

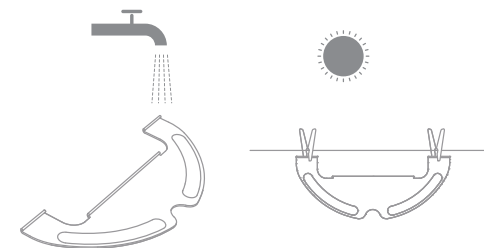


2. Opróżnij pozostałą wodę ze zbiornika. Przed ponownym zamontowaniem optucz wodą i pozostaw do wyschnięcia na powietrzu.



Uwaga: nie wystawiać zbiornika bezpośrednio na słońce.

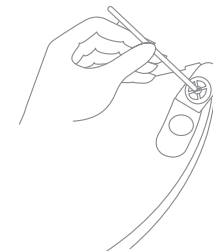
3. Wyczyść i osusz wkład myjący.



### Uwaga:

- Po użyciu wyjąć wkład myjący i oczyścić. Należy upewnić się, że brudna woda nie wpływa z powrotem do odpływu wody, aby uniknąć jego zatkania.
- Aby uzyskać optymalną wydajność, zaleca się wymianę wkładu co 3-6 miesięcy.

4. Jeśli występuje powolny przepływ wody lub objętość nie jest dobrze rozproszona, należy wyczyścić otwór powietrzny w pokrywie zbiornika wody.

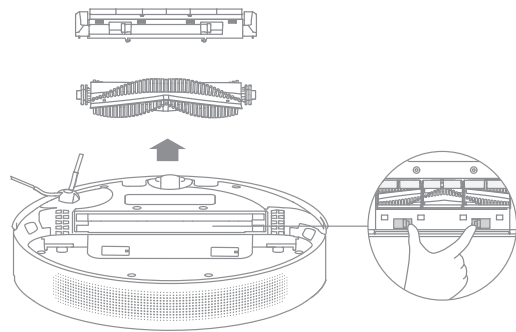




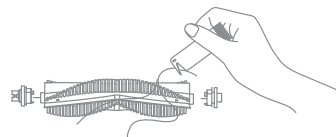
## Dzienna konserwacja

### Czyszczenie szczotki głównej

Naciśnij zatrzaski zwalniające pokrywę szczotki głównej i wyjmij ją ruchem do góry.



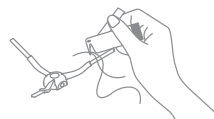
Wyciągnij osłony szczotek, jak pokazano na schemacie. Użyj dołączonego narzędzia do czyszczenia, aby usunąć włosy wplątane w szczotkę.



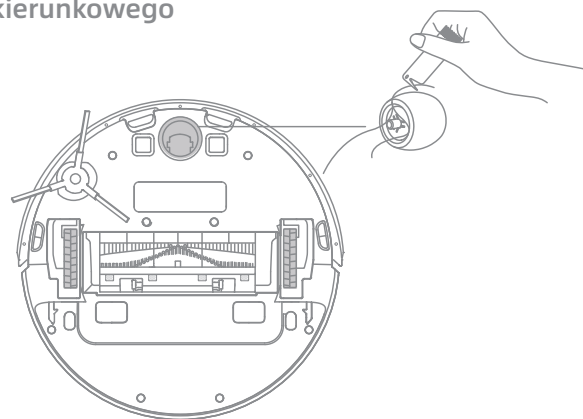
**Uwaga:** Nie należy używać nadmiernej siły przy oczyszczaniu włosów, aby uniknąć uszkodzenia szczotki.

### Czyszczenie szczotki bocznej

Wyciągnij szczotkę boczną i wyczyść ją za pomocą dołączonego narzędzia do czyszczenia.



### Czyszczenie koła głównego i koła wielokierunkowego

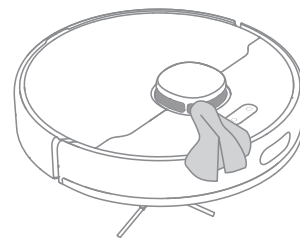


**Uwaga:** Do rozdzielania osi i opony należy używać takich narzędzi, jak mały śrubokręt. Nie należy używać nadmiernej siły.

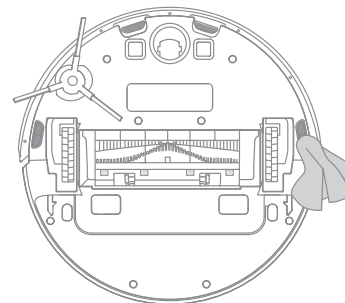
## Dzienna konserwacja

**Uwaga:** Do czyszczenia używaj suchej ściereczki, ponieważ odkurzacz i strona wewnętrzna stacji ładującej zawierają wrażliwe elementy. Nie należy używać mokrej ściereki, aby zapobiec uszkodzeniom spowodowanym przez wodę.

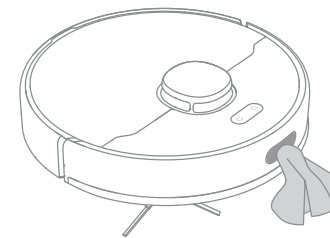
### Wyczyść czujnik laserowy LDS



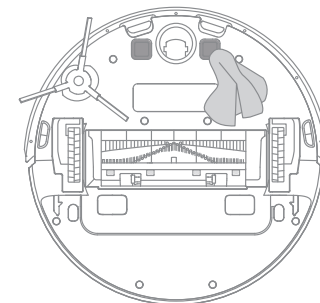
### Czyszczenie czujników upadku



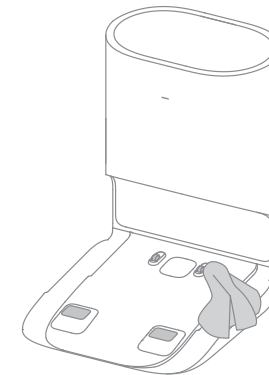
### Wyczyść czujnik powrotu do stacji ładowania



### Czyszczenie styków ładowania



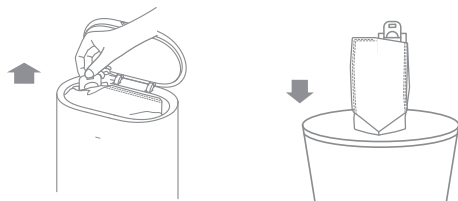
### Wyczyść styki ładowania i wlot kurzu



## Wymień worek na kurz

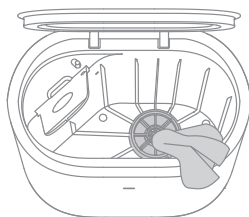
Gdy worek na kurz jest pełny należy wymienić go na nowy. Informacje dotyczące stanu worka na kurz wyświetlane są na wskaźniku stanu (miganie na pomarańczowo) lub poprzez komunikaty w aplikacji. Zaleca się wymianę worka co 4-6 tygodni.

## 1. Usuwanie worka na kurz

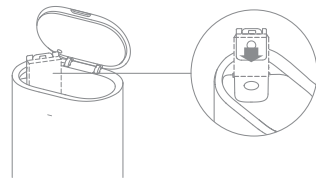


**Uwaga:** Podczas wyjmowania worka na kurz należy zamknąć uchwyt worka na kurz, aby zapobiec wylotowi kurzu.

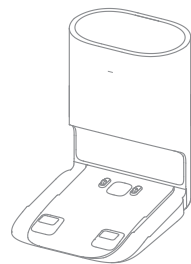
## 2. Czyszczenie filtra



## 3. Instalacja nowego worka na kurz



## 4. Zamknij górną pokrywę podstawy auto-oprózniającej

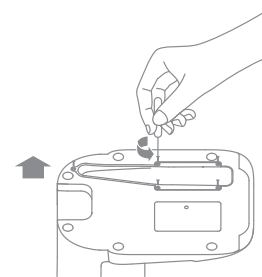


**Uwaga:** Nie należy używać siły, aby zamknąć stację, jeśli górna pokrywa nie może być zamknięta, a worek na kurz nie jest zamontowany.

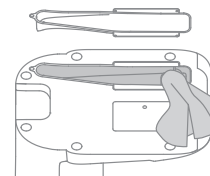
## Czyszczenie kanału powietrznego

Jeśli kanał powietrzny jest zablokowany, należy go wyczyścić zgodnie z poniższymi krokami.

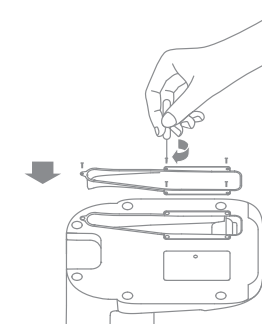
## 1. Należy odkręcić śruby mocujące na pokrywie kanału powietrznego i zdjąć pokrywę.



## 2. Należy sprawdzić, czy kanał powietrzny jest zablokowany przez obce przedmioty. Jeśli tak, należy je usunąć.



## 3. Należy ponownie zamontować pokrywę kanału powietrznego, zgodnie ze wskazówkami pokazanymi na rysunku.



## Resetowanie robota

Jeśli robot przestanie reagować lub nie będzie można go wyłączyć, należy przytrzymać przycisk (⏻) przez 6 sekund, aby wyłączyć urządzenie. Następnie naciśnij i przytrzymaj przycisk (⏻) przez 3 sekundy, aby wyłączyć robota.

## Akumulator

Robot wyposażono w wysokiej jakości akumulator litowo-jonowy. Należy upewnić się, że pozostaje on dobrze naładowany podczas codziennego użytkowania, aby utrzymać jego optymalną wydajność. Jeśli robot nie jest używany przez dłuższy czas, należy go wyłączyć i odłożyć. Aby zapobiec uszkodzeniom spowodowanym nadmiernym rozładowaniem, robota należy ładować co najmniej raz na trzy miesiące.

W poniższej tabeli wymienione zostały możliwe przyczyny i rozwiązania problemów, w odniesieniu do różnych kolorów diody wskaźnika stanu. Aby uzyskać więcej pomocy, zapoznaj się z sekcją "Najczęściej zadawane pytania" w tej instrukcji.

Dioda	Możliwa przyczyna	Rozwiązanie problemu
Dioda zgaszona	Brak zasilania	Należy sprawdzić i upewnić się, że zasilanie podstawy auto-oprózniającej jest w normie
	Odkurzacze jest w trybie "Nie przeszkadzać" W pełni naładowany odkurzacze jest w trybie uśpienia	/
Światło białe	Odkurzacze nie jest na podstawie	/
Dioda miga białym światłem	Odkurzacze jest w trakcie ładowania	/
Migające światło pomarańczowe	Błąd	Należy sprawdzić czy worek na kurz jest zamontowany. Jeśli nie, należy zamontować worek na kurz. Należy sprawdzić czy worek na kurz jest poprawnie zamontowany.
		Należy sprawdzić czy górna pokrywa jest zamknięta. Jeśli nie, należy poprawnie zamknąć górną pokrywę.
		Należy sprawdzić czy worek na kurz jest pełny. Jeśli tak, należy ją wymienić. Należy usunąć wszelkie zanieczyszczenia wokół wlotu kurzu odkurzacza i podstawy auto-oprózniającej.
		Należy odłączyć kabel zasilający podstawy auto-oprózniającej. Następnie należy sprawdzić czy pokrywa kanału powietrznego nie została zablokowana przez obce przedmioty. Jeśli tak, należy je usunąć.
		Należy sprawdzić czy pojemnik na kurz jest zamontowany. W przypadku innych problemów skontaktuj się z wykwalifikowanymi technikami lub serwisem posprzedażowym.

Rodzaj problemu	Rozwiązanie
Robot nie włącza się	Poziom naładowania baterii jest niski. Należy naładować robota na podstawie auto-oprózniającej, a następnie spróbować ponownie. Temperatura otoczenia jest zbyt niska (poniżej 0° C) lub zbyt wysoka (powyżej 40° C). Temperatura działania odkurzacza mieści się w zakresie od 0 do 40° C.
Robot nie łączy się	podstawy auto-oprózniającej nie ma zasilania. Należy upewnić się, że oba końce przewodu zasilającego są prawidłowo podłączone. Zbyt słaby kontakt. Należy oczyścić styki ładowania podstawy auto-oprózniającej.
Robot nie może powrócić do podstawy auto-oprózniającej.	Wokół podstawy auto-oprózniającej jest zbyt wiele przeszkód. Należy umieścić podstawę w bardziej otwartej przestrzeni. Należy wyczyścić obszar sygnalizacji podstawy auto-oprózniającej. Zmiana położenia robota może spowodować jego przepozycjonowanie lub ponowne mapowanie otoczenia. Jeśli robot znajduje się zbyt daleko od podstawy auto-oprózniającej, może nie być w stanie automatycznie powrócić do podstawy. W takim przypadku należy ręcznie umieścić robota na podstawie auto-oprózniającej.
Robot działa nieprawidłowo	Wyłącz i włącz robota ponownie
Robot wydaje dziwny dźwięk	Obcy przedmiot może zaplątać się w szczotkę główną, szczotkę boczną lub jedno z kół głównych. Zatrzymaj odkurzacze i usuń wszelkie zanieczyszczenia.
Robot nie czyści tak skutecznie, jak wcześniej, lub pozostawia kurz za sobą	Pojemnik na kurz jest pełny. Należy wyczyścić pojemnik na kurz i wlot kurzu. Filtr jest zapchany. Należy go oczyścić. Obcy przedmiot zaplątał się w szczotkę główną. Należy go usunąć.

Rodzaj problemu	Rozwiązanie
Robot nie może się połączyć z siecią Wi-Fi	<p>Wystąpił problem z połączeniem Wi-Fi. Należy zresetować połączenie Wi-Fi i pobrać najnowszą wersję aplikacji Dreamehome/Mi Home/Xiaomi Home, a następnie spróbować ponownie nawiązać połączenie.</p> <p>Pozwolenie na dostęp do lokalizacji nie jest aktywne. Upewnij się, że zezwolenie na dostęp do lokalizacji w aplikacji Dreamehome/Mi Home/Xiaomi Home jest aktywne.</p> <p>Sygnał sieci Wi-Fi jest za słaby. Należy upewnić się, że robot znajduje się w obszarze z dobrym zasięgiem sieci Wi-Fi.</p> <p>Wi-Fi 5 GHz nie jest obsługiwane. Upewnij się, że twój odkurzacz łączy się z Wi-Fi 2,4 GHz.</p> <p>Nazwa użytkownika lub hasło Wi-Fi jest nieprawidłowe. Należy upewnić się, czy zostały wprowadzona prawidłowa nazwa i hasło użytkownika.</p>
Robot nie rozpoczyna zaplanowanego czyszczenia	Robot ma słabą baterię. Zaplanowane czyszczenie nie rozpocznie się, dopóki bateria robota nie będzie naładowana co najmniej w 15%.
Czy pozostawienie odkurzacza w stacji ładowania zużywa dodatkową energię, jeśli odkurzacz jest w pełni naładowany?	Pozostawienie robota na podstawie auto-opróźniającej, gdy robot jest w pełni naładowany, zużywa bardzo mało energii elektrycznej i pomaga utrzymać optymalną wydajność baterii.
Z modułu myjącego nie wypływa woda lub jest jej bardzo mało	<p>Należy upewnić się, że zbiornik jest napełniony wodą.</p> <p>W razie potrzeby wyczyść wkład myjący.</p> <p>Należy upewnić się, że wkład myjący jest zainstalowany prawidłowo, zgodnie z instrukcją obsługi.</p> <p>Należy oczyścić otwór w zbiorniku na wodę.</p>
Robot nie wznowia czyszczenia po naładowaniu	<p>Należy upewnić się, że robot nie jest w trybie „nie przeszkadzać”, co uniemożliwia wznowienie czyszczenia.</p> <p>Robot nie wznowia czyszczenia po ręcznym naładowaniu lub umieszczeniu go na podstawie auto-opróźniającej.</p>

Rodzaj problemu	Rozwiązanie
Robot powraca do podstawy auto-opróźniającej, ale zadanie automatycznego odprowadzania kurzu nie następuje.	Tryb "Nie przeszkadzać" uniemożliwia automatyczne wykonywanie zadań odprowadzania kurzu.
Worek na kurz jest pełny	Należy sprawdzić, czy worek na kurz jest pełny. Jeśli tak, należy wymienić go na nowy. Zaleca się wymianę worka co 4-6 tygodni. Jeśli worek nie jest pełny, należy sprawdzić, czy wlot kurzu lub kanał powietrzny w dolnej części stacji ładowania jest zablokowany. Należy usunąć wszelkie obce przedmioty przed ponownym użyciem.
Zadanie odprowadzania kurzu może czasem zostać wydłużone	Gdy odkurzacz wykonuje zadania odprowadzania kurzu przez pewien czas lub gdy kanał powietrzny nie działa płynnie, czas odprowadzania kurzu zostanie wydłużony, aby zapobiec zablokowaniu.
Górna pokrywa podstawy nie jest zamknięta	Należy sprawdzić czy worek na kurz jest zamontowany. Jeśli nie, należy zamontować worek na kurz.

## Robot

Model	RLS3D
Akumulator	5200 mAh (Nominalna pojemność baterii)
Czas ładowania	Ok. 6 godzin
Łączność bezprzewodowa	Wi-Fi IEEE 802.11b/g/n 2,4 GHz
Zgodność z systemem operacyjnym	Android 4,4 or iOS 10,0 lub nowsza wersja
Napięcie znamionowe	14,4 V $\equiv$
Moc znamionowa	46 W
Częstotliwość operacji	2400-2483,5 MHz
Maksymalna moc wyjściowa	< 20 dBm

## Podstawy auto-oprózniającej

Model	RCS7
Wejście	220-240 V ~ 50-60 Hz
Wyjście	19,8 V $\equiv$ 1 A
Moc znamionowa	600 W

## Informacje dotyczące europejskiej dyrektywy WEEE



Wszystkie produkty oznaczone tym symbolem są uznane za odpady sprzętu elektrycznego i elektronicznego (WEEE zgodnie z Dyrektywą 2012/19/UE) i nie mogą być wyrzucane po zakończeniu okresu użytkowania wraz z innymi odpadami. W celu ochrony zdrowia ludzi oraz środowiska naturalnego należy przekazać zużyty sprzęt do wyznaczonego punktu utylizacji wyznaczonego przez instytucje rządowe lub lokalne. Prawidłowe usunięcie zużytego produktu pomaga w zapobieganiu potencjalnym negatywnym skutkom oddziaływania na środowisko naturalne i zdrowie ludzi. Więcej informacji można uzyskać w urzędzie lokalnym lub od instalatora.

## הגבלות שימוש

- מוצר זה מותר לשימוש על ידי ילדים בני 8 ומעלה ועל ידי אנשים הסובלים מלקויות גופניות, תחושתיות, שכליות או על ידי אנשים חסרי ניסיון או ידע בכל הקשור לשימוש במוצר זה במידה והם נמצאים תחת השגחה של הורה או של משגיח וזאת על מנת להבטיח הפעלה בטוחה ולמנוע סכנת מפגעים מכל סוג שהוא. פעולות הניקיון והתחזוקה של המוצר לא יבוצעו על ידי ילדים ללא השגחה.
- חל איסור על ילדים לשחק עם מוצר זה. וודאו כי ילדים ובעלי חיים נמצאים במרחק בטוח מרובוט בעת הפעלתו.
- מוצר זה נועד לניקוי רצפה בסביבה ביתית בלבד. אין לעשות בו שימוש במקום פתוח, על גבי משטחים שאינם רצפה או בסביבה מסחרית או תעשייתית.
- אין לעשות שימוש ברובוט בשטח שתלוי מעל גובה הרצפה ללא מחסום הגנה.
- אין להניח את הרובוט הפוך. אין להשתמש במכסה ה-LDS, מכסה הרובוט, או פגוש כידיית לרובוט.
- אין לעשות שימוש ברובוט בטמפרטורת סביבה מעל 40°C או מתחת ל-0°C או על רצפה עם נזלים או חומרים דביקים.
- הרימו כבלים מהרצפה טרם השימוש ברובוט וזאת על מנת למנוע גרירה שלהם בזמן ביצוע פעולת הניקיון.
- הסירו פריטים שבירים או קטנים מהרצפה וזאת על מנת למנוע היתקלות של רובוט בהם וגרירתם.

## סוללות וטעינה

- בסיס האוטו-ריקון.
  - אין להשליך סוללות ישנות באופן לא ראוי. סוללות לא נחוצות יש להשליך במתקן מחזור מתאים.
  - במידה וכל החשמל נפגם או מתקלקל, הפסיקו מיד את השימוש במוצר וצרו קשר עם מרכז השירות לאחר מכירה.
  - אנא וודאו כי רובוט כבוי בעת הובלתו ממקום למקום ודאגו לשמור אותו במארז המקורי שלו ככל הניתן.
  - במידה ואין כוונה לעשות שימוש ברובוט למשך פרק זמן ממושך, הטעינו אותו במלואו, לאחר מכן כבו אותו ואחסנו אותו במקום קריר ויבש. הטעינו מחדש את רובוט לכל הפחות פעם ב-3 חודשים וזאת על מנת למנוע טעינת יתר של הסוללה.
  - מוצר זה כולל סוללות הניתנות להחלפה על ידי טכנאים מוסמכים או על ידי מרכז שירות לאחר מכירה בלבד.
- חיישן מרחק הלייזר נמצא בהתאמה לתקן IEC 60825-1:2014 של ה IEC עבור מוצרי לייזר דרג 1 ואינו יוצר קרינת לייזר מסוכנת.

## חיישן מרחק לייזר

לעיון במדריך מקוון מפורט, בקר בכתובת

<https://global.dreametech.com/pages/user-manuals-and-faqs>

## מידע בטיחותי

### הגבלות שימוש

- הרחיקו שערות, אצבעות וחלקי גוף אחרים מפתח היניקה של רובוט.
- הרחיקו את מברשת הניקוי מהישג ידם של ילדים.
- אין להניח ילדים, בעלי חיים או כל פריט אחר מעל רובוט בין אם הוא בתנועה או עומד.
- אין לעשות שימוש ברובוט לניקוי חומרים בוערים.
- אין לשאוב חפצים קשים או חדים.
- אנא וודאו כי רובוט כבוי ותחנת הטעינה מנותקת ממקור החשמל טרם ביצוע פעולת ניקיון או תחזוקה.
- אין לנגב שום חלק של מוצר זה בעזרת מטלית רטובה או כל נוזל אחר.
- יש להשתמש במוצר זה בהתאם להנחיות המצוינות במדריך זה למשתמש. המשתמשים אחראים על אובדן או נזק הנובע כתוצאה משימוש לא נכון במוצר זה.

### סוללות וטעינה

- אין להשתמש בסוללה או בבסיס האוטו-ריקון של צד שלישי. השתמשו רק בספק כוח דגם RCS7.
- אין לנסות לפרק, לתקן או לבצע שינויים בסוללה או בבסיס האוטו-ריקון בעצמכם.
- אין למקם את בסיס האוטו-ריקון בקרבת מקור חום.
- אין לעשות שימוש במטלית רטובה או בידיים רטובות לניגוב או לניקוי מגעי הטעינה של

## סקירת המוצר

### אביזרים נלווים

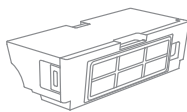
#### אביזרים מותקנים מראש



שקית איסוף אבק 2x  
(מותקן מראש 1)



כלי ניקוי

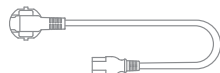


סל אבק



מברשת ראשית

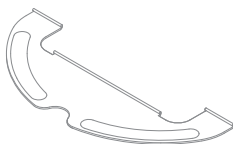
#### אביזרים אחרים



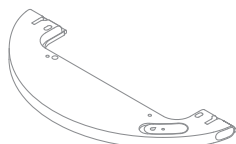
כבל חשמל



מברשת צדדית



סמרטוט



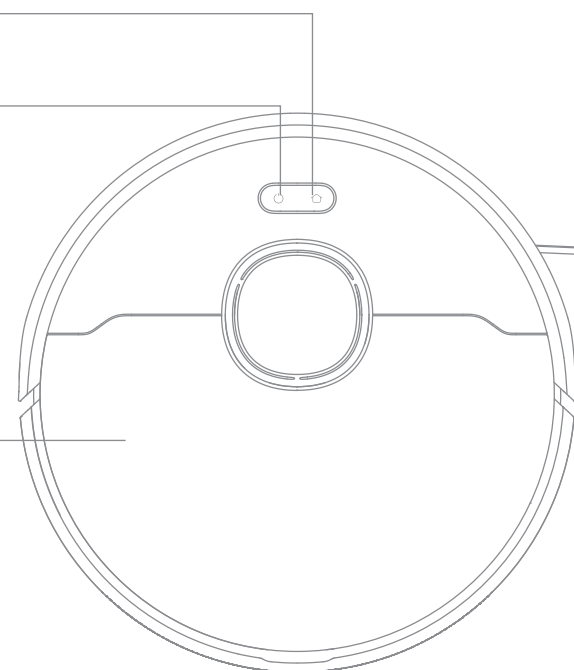
מיכל מים

## סקירת המוצר

### רובוט

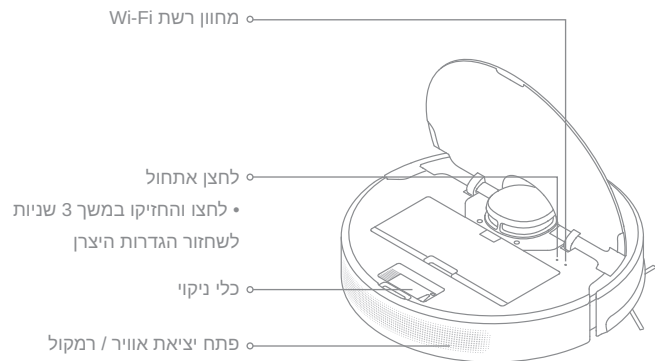
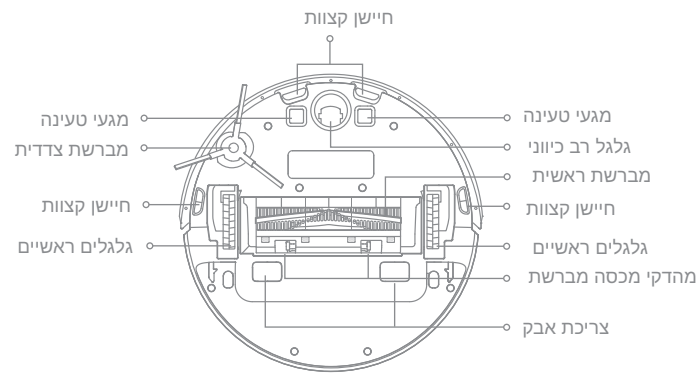
- לחצן ניקוי נקודתי/כפתור חזרה לבסיס
- לחץ בקצרה על מנת להתחיל מצב ניקוי נקודתי.
- לחצו לחיצה קצרה על מנת לשלוח את הרובוט חזרה לבסיס.
- לחצן הפעלה / כיבוי / ניקיון
- להפעלת או כיבוי המכשיר לחצו על הלחצן במשך 3 שניות.
- לחצו לתחילת הניקיון לאחר הפעלת הרובוט.
- מחוון סטטוס
- לבן: במצב ניקיון או שפעולת הניקיון הסתיימה.
- כתום מהבהב: שגיאה (תקלה).
- מהבהב לבן: הרובוט בטעינה כאשר הסוללה אינה נמוכה.

כיסוי

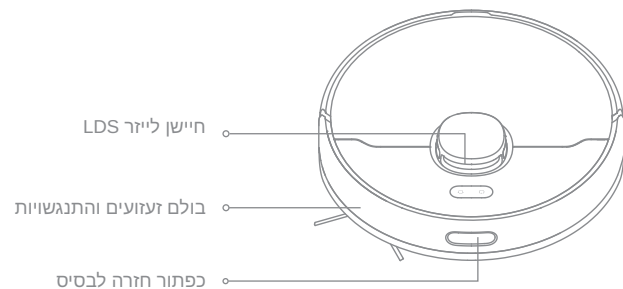


## סקירת המוצר

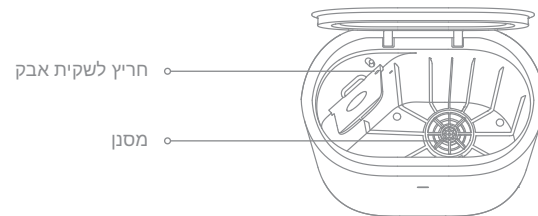
## רובוט



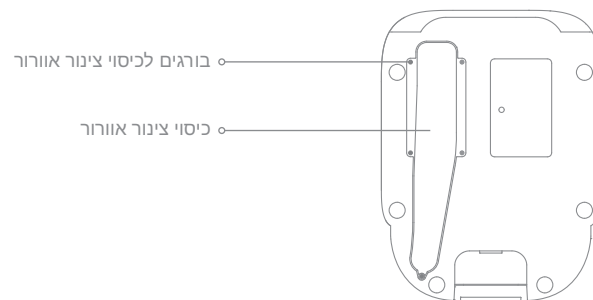
## שואב אבק וחיישנים



## פתח את המכסה העליון

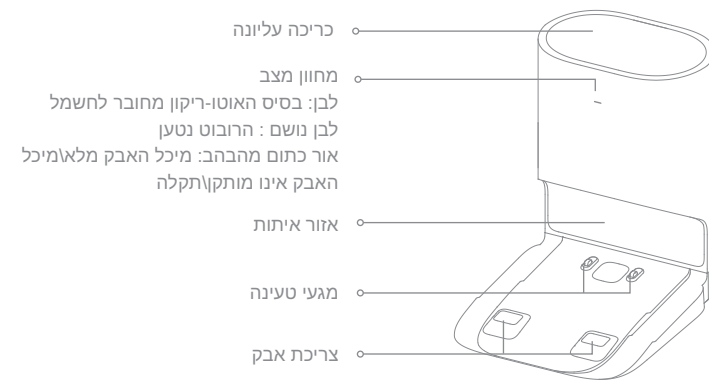


## תחתית

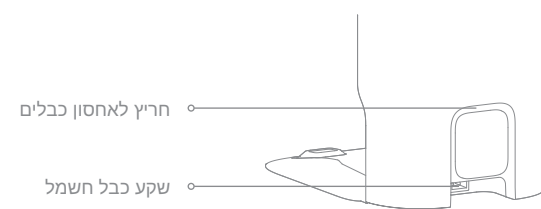


## סקירת המוצר

## בסיס אוטו-ריקון



## גב





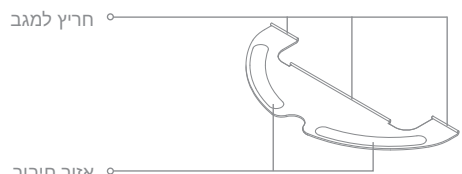
## סקירת המוצר

### רכיב ניגוב

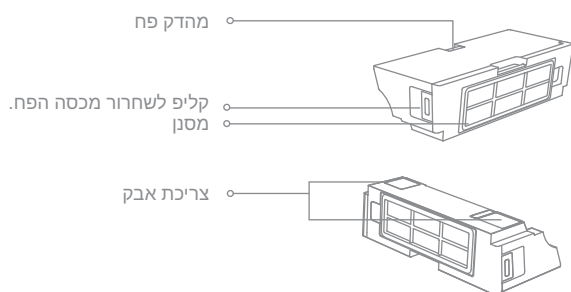
מיכל מים



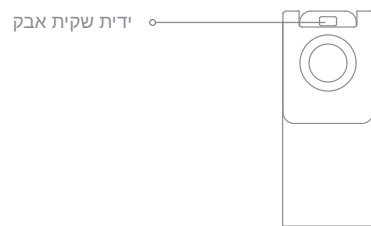
סמרטוט



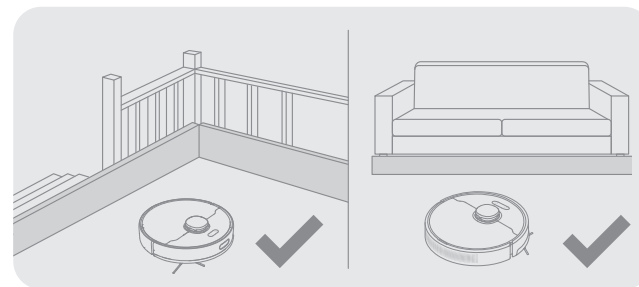
### סל אבק



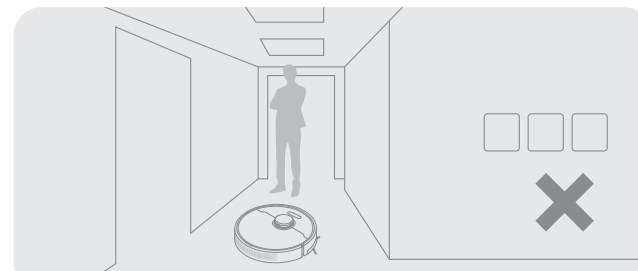
### שקית איסוף אבק



הערה: בשל הגדרת המפעל, שקית איסוף אבק חדשה כבר הותקנה בפנים.

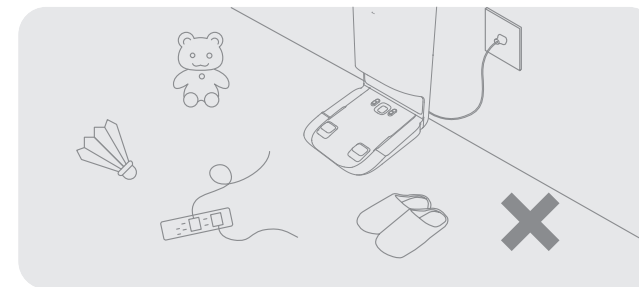


לפני הנקיין, אנה השתמשו בחפץ לחסום איזורים נמוכים א איזורים שיש בהם חשש לנפילה, על מנת לשמור על המכשיר ולהבטיח את תנועתה החופשית.

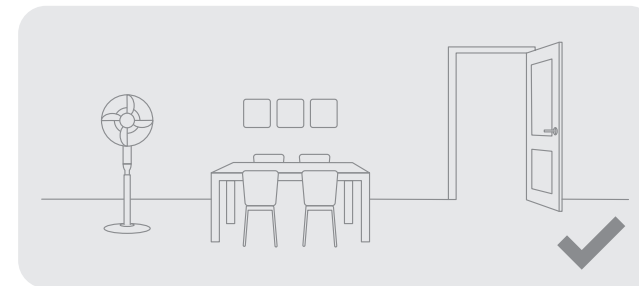


על מנת למנוע מהרובוט אי יכולת לזהות את האיזור לניקוי, אל תעמדו בטווח מול הרובוט, מסדרונות או מקומות צרים.

## ניקוי סביבת בית



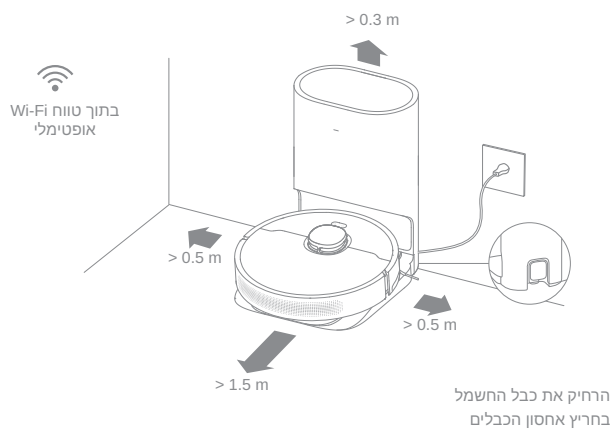
אספו חוטים, סמרטוטים, כפכפים, צעצועי ילדים וכו' חפצים המפוזרים על הרצפה על מנת לשפר את יעילות העבודה של המכשיר.



פתחו את דלת החדר שיש לנקות, והניחו הריטים(כגון כיסאות) במקום ראוי על מנת לפנות יותר מקום.

### 3. חברו את הבסיס לחשמל והתחלו בטעינה

הניחו את בסיס האוטו-ריקון על משטח מאוזן ובצמוד לקיר וחיברו אותו לחשמל. הניחו את הרובוט על תחנת בסיס האוטו-ריקון מחדש. הרובוט יופעל אוטומטית ויטען. מומלץ לבצע טעינה מלאה בשימוש הראשון.



הרחיק את כבל החשמל  
בכיוון אחסון הכבלים

שימו לב:

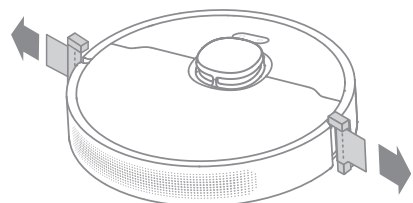
- אגא וודאו שאין אף חפץ במרחק של 0.5 מטר או יותר בכל אחד מהצדדים של הבסיס, ושל יותר מ- 1.5 מטר בחזית שלה.
- ודא שאף אובייקט לא עלול לחסום את אזור האיתות.

### אודות בסיס האוטו-ריקון

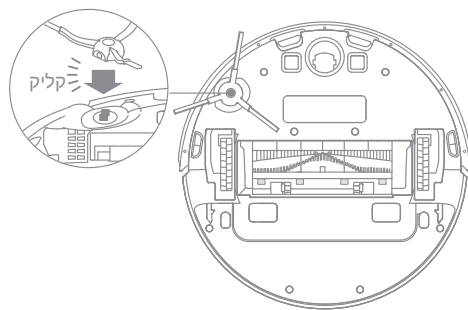
מומלץ כי הרובוט יצא מהבסיס לפני הניקוי. פעולה זו מבטיחה שהרובוט יחזור לבסיס בצורה חלקה. אין להזיז את הבסיס בזמן שהרובוט מנקה. לאחר שהמכשיר משלים את משימת הניקיון וחוזר באופן אוטומטי לבסיס, הבסיס יחל להתרוקן באופן אוטומטי. ניתן לשלוט ביותר הגדרות מהאפליקציה.

### הכנות לפני השימוש

#### 1. הסירו את פסי המגן



#### 2. התקינו את המברשת הצדדית

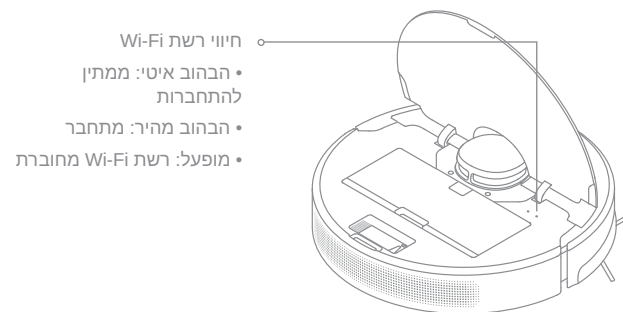


**שימו לב:** התקינו את המברשת הצידית עד כניסתה למקום והישמע ה"קליק".

### חיבור ליישום Mi Home/Xiaomi Home/Dreamehome HE

#### 3. אתחול רשת Wi-Fi

פתחו את המכסה העליון לגילוי מחוון רשת ה-Wi-Fi. לחצו והחזיקו את הכפתורים ו עד שיישמע קול שאומר "ממתין לתצורת הרשת". ברגע שחיווי רשת ה-Wi-Fi מהבהב לאט, הדבר מצייין שרשת ה-Wi-Fi אופסה בהצלחה.

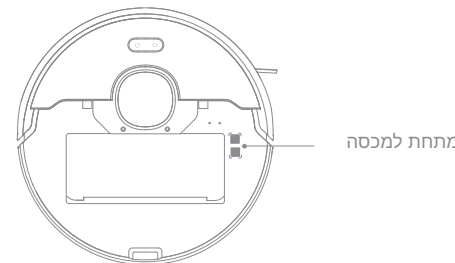


שימו לב: אם מכשיר הטלפון שלכם אינו מצליח להתחבר לרובוט, אפסו את חיבור WiFi והוסיפו את ההתקן מחדש.

מוצר זה עובד עם ה-Mi Home/Xiaomi Home או עם אפליקציית Dreamehome, שניתן להשתמש בו בכדי לשלוט במכשיר שלכם.

#### 1. סרקו את קוד ה-QR להורדה ולהתקנה של היישום.

סרקו את קוד ה-QR שעל גבי הרובוט או חיפשו "Mi Home", "Dreamehome", או "Xiaomi Home" בחנות האפליקציות על מנת להוריד ולהתקין את האפליקציה בהתאם לצורכיכם.



#### 2. הוסף מכשיר

אפליקציית Mi Home/Xiaomi Home: פתחו את ה-Mi Home/Xiaomi Home app, הקישו על ה- בפניה הימנית העליונה, וסרקו את קוד ה-QR שלעיל שוב על מנת להוסיף את "Dreame Bot D10 Plus". אגא עקבו אחר ההתראות על מנת להשלים את החיבור ל-Wi-Fi.

אפליקציית Dreamehome: פתחו את אפליקציית ה-Dreamehome, הקישו על בפניה הימנית העליונה כדי לעבור לדרף "הוסף מכשיר", וזו בחרו ב-"Dreame Bot D10 Plus". אגא עקבו אחר ההתראות על מנת להשלים את החיבור ל-Wi-Fi.

שימו לב:

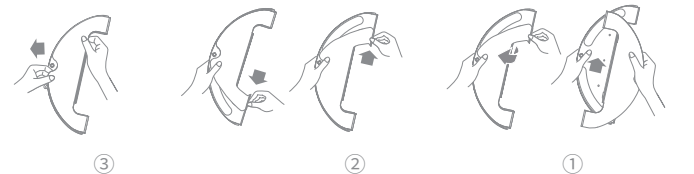
- רק WiFi בתדר 2.4Ghz נתמך.
- שימו לב: יתכן וגרסת היישום שודרגה, אגא נהגו בהתאם להנחיות המבוססות על גרסת היישום הנוכחית.

## אופן השימוש

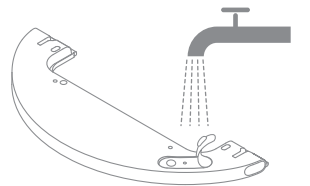
## 7. שימוש בפונקציית ניגוב

לקבלת תוצאות שטיפת רצפה מיטביות, מומלץ לנקות את הרצפה 3 פעמים לפני הפעלת פונקציית הניגוב בפעם הראשונה.

(1) הרכיבו את משטח המגב וסחטו החוצה את המים העודפים. הכניסו את המגב אל תוך חריץ מיכל המים כפי שמתאור בתרשימים, והדביקו את המשטח בחוזקה.

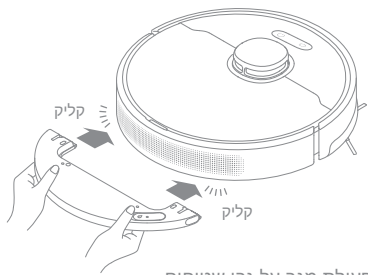


(2) פתחו את מכסה מיכל המים, מלאו את המיכל במים, ולאחר מכן סגרו את המכסה.



**שימו לב:** אין לעשות שימוש בתכשירי ניקוי או בחומרי חיטוי.

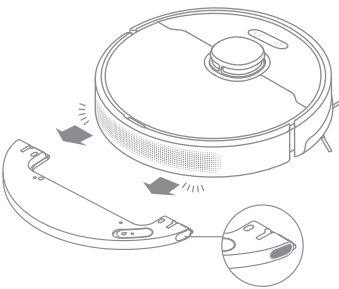
(3) יישרו את רכיב הניגוב כמצוין באמצעות החץ, לאחר מכן החליקו אותו לתוך החלק האחורי של הרובוט עד הישמע ה"קליק". לחצו על או השתמשו באפליקציית Mi Home/Xiaomi Home/Dreamehome על מנת להתחיל בניקיון.



**שימו לב:**

- לא מומלץ להפעיל פעולת מגב על גבי שטיחים.
- השתמשו באפליקציה על מנת לכוון זרימת מים כנדרש.

(4) לחצו על שני המהדקים הצדדיים כלפי פנים והחליקו את מיכל המים לאחור במטרה להפריד אותו מהרובוט.



**שימו לב:**

כאשר הרובוט נטען או שאינו בשימוש, הוציאו את רכיב הניגוב, שפכו את המים העודפים שבתוך המיכל ונקו את הסמרטוט במטרה למנוע עובש או ריחות לא נעימים.

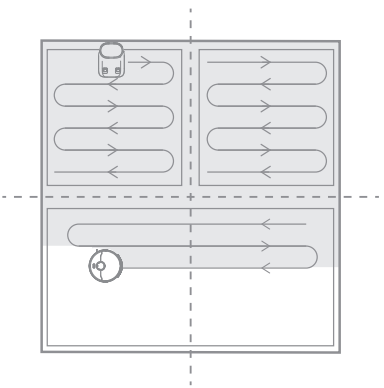
## אופן השימוש

## 1. הפעלה / כיבוי

לחצו לחיצה ארוכה על לחצן כדי להפעיל את הרובוט. ברגע שנורית החיווי דולקת בצבע לבן קבוע, הדבר מציינ שהרובוט מכוון על מצב הכן. לכיבוי הרובוט, לחץ לחיצה ממושכת על הכפתור למשך 3 שניות בזמן שהרובוט אינו בתנועה.

## 2. תחילת הניקיון

לחץ על הכפתור בקצרה כדי להפעיל את הרובוט. עם ההפעלה, הרובוט ימפה במדויק מסלול, נקי באופן שיטתי לאורך הקצוות והקירות, ולאחר מכן יסיים על ידי ניקוי כל חדר בתבנית בצורת S כדי להבטיח עבודה יסודית.



## 3. מצב ניקיון

קיימים ארבעה מצבי ניקיון ביישום Mi Home/Xiaomi Home/Dreamehome: מצב שקט, מצב רגיל, מצב חזק ומצב טורבו. המצב המוגדר כברירת מחדל הינו מצב רגיל.

## 4. השתייה / מצב שינה

לחצו על כל לחצן להשהיית הרובוט במהלך הניקיון.

מצב שינה: הרובוט ייכנס באופן אוטומטי למצב שינה לאחר 10 דקות של חוסר פעילות, בשלב זה נוריות חיווי המתה והטעינה ייכבו. על מנת להעיר את הרובוט, לחצו על כל לחצן שהוא.

**שימו לב:**

- הרובוט יכבה באופן אוטומטי לאחר 12 שעות במצב שינה ללא טעינה.
- ברגע שהרובוט מושהה, הנחתו על בסיס האוטו-ריקון תסיים את משימת הניקיון הנוכחית.

## 5. מצב של ניקיון נקודתי

כאשר הרובוט נמצא במצב הכן או מושהה, לחצו במשך 3 שניות על לחצן על מנת להפעיל מצב ניקוי נקודתי. במצב זה, הוא ינקה שטח בצורת ריבוע בגודל של 1.5x1.5 מסביב למקומו. לאחר סיום הניקיון הנקודתי הרובוט יחזור באופן אוטומטי למיקומו המקורי וייכבה.

**שימו לב:** הפעלת מצב ניקיון נקודתי כאשר המכשיר מושהה תסיים את משימת הניקיון הנוכחית של הרובוט.

## 6. אפשרויות אפליקציה נוספות

ניתן להשתמש בפונקציות נוספות ביישום כגון בחירת חדר לניקוי, ניקוי אזור, איזור אסור, קירות וירטואלים וכו'.

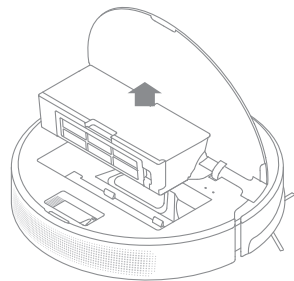
**שימו לב:**

- עקבו אחר ההנחיות באפליקציה לאפשרויות נוספות.
- עקב שדרוג ועדכון מתמשך של האפליקציה, ייתכן שחלו שינויים קלים, נא פעלו ע"פ הגירסה הנוכחית.

## תחזוקה שגרתית

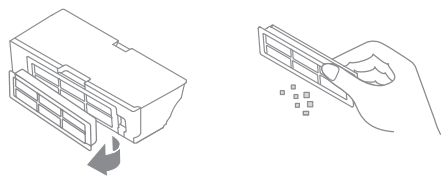
### סל אבק\* נקו לאחר כל שימוש

1. פתחו את מכסה הרובוט, ולאחר מכן לחצו על התופסנים כדי להוציא את מיכל הפסולת.



### מסנן

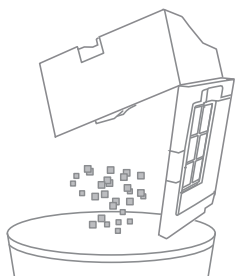
1. הסירו את המסנן והקישו על הסל בעדינות להוצאת הלכלוך.



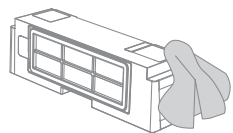
### שימו לב:

- אין לנסות לנקות את המסנן עם מברשות או עם האצבעות.
- יש לשטוף את מיכל האבק עם מים נקיים בלבד. אין להשתמש בחומרי ניקוי.
- יש להשתמש במיכל האבק רק כשהוא יבש לחלוטין.
- מומלץ לנקות את המסנן כל שבועיים ולהחליפו כל שלושה חודשים.

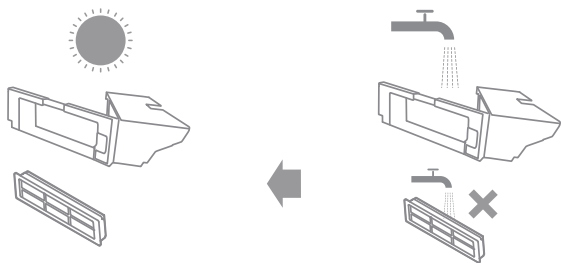
2. פתחו את מכסה מיכל הפסולת כפי שמוצג בתרשים.



3. נקה את צריכת האבק



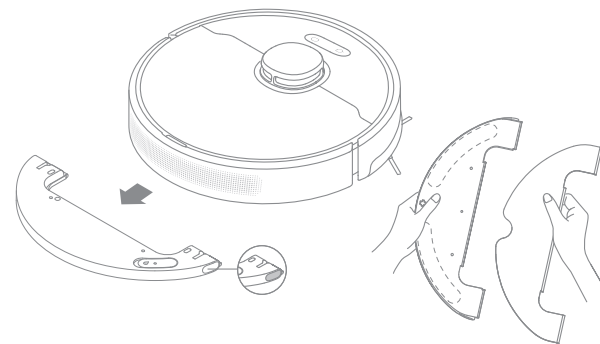
2. אין לשטוף את המסנן. רק מיכל האבק ניתן לשטיפה. יש לייבש לחלוטין לפני ההתקנה מחדש.



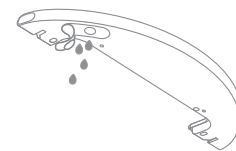
## תחזוקה שגרתית

### ניקוי רכיב הניגוב

1. לחצו על שני התופסנים הצדדיים של מיכל המים, הסירו את רכיב הניגוב והסירו את הסמרטוט מרכיב הניגוב.

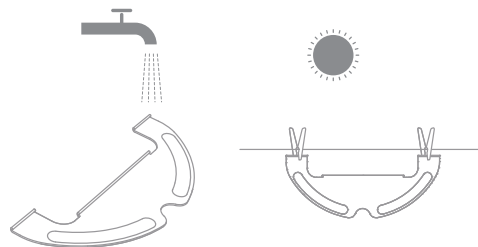


2. רוקנו את המים שנותרו במיכל המים והניחו לו להתייבש באוויר.



שימו לב: אין לחשוף את המיכל ישירות לשמש.

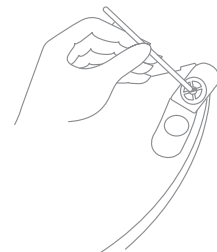
3) נקו את הסמרטוט במים בלבד והניחו לו להתייבש באוויר.



### שימו לב:

- הסירו את הסמרטוט מרכיב השטיפה לפני הניקוי, וודאו שהמים המלוכלכים אינם זורמים בחזרה לתוך יציאת המים כדי למנוע את סתימתה.
- לביצועים מיטביים, מומלץ להחליף את הסמרטוט בכל 3 עד 6 חודשים.

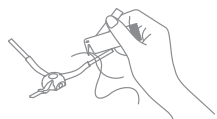
4) אם זרם המים חלש, או אם הנפח אינו מפורז היטב, נקו את חורי האוויר במכסה מיכל המים



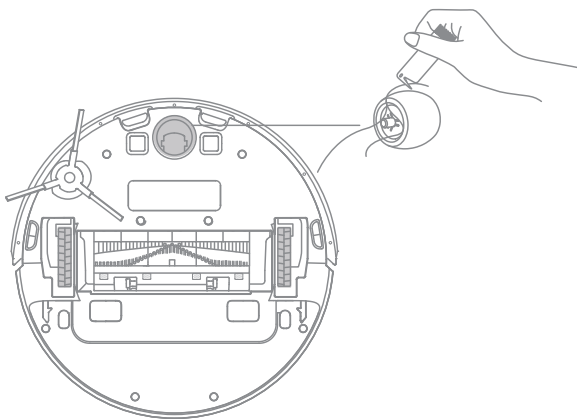
## תחזוקה שגרתית

### ניקוי המברשת הצדדית

הוציאו את המברשת הצדדית והשתמשו בכלי הניקוי הכלול להסרת שיער שנקשר סביב המברשת.



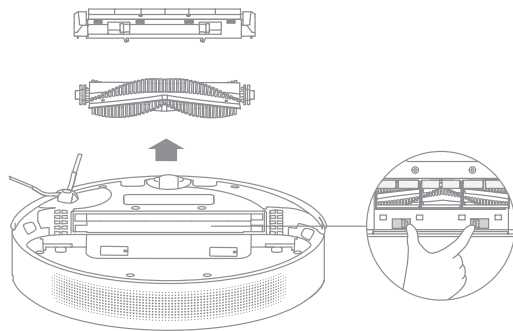
### ניקוי הגלגל הראשי והגלגל הרב-כיווני



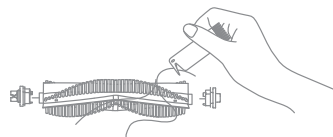
**שימו לב:** השתמשו בכלי כמו מברג קטן כדי להפריד את הציר ואת הגלגל.

### ניקוי המברשת הראשית

ליחצו על מהדקי מגן המברשת פנימה משני הצדדים על מנת להסיר את מגן המברשת והסירו את המברשת מהרובוט.



הוציאו את מכסי המברשות כפי שמוצג באיור. השתמשו בכלי הניקוי הכלול להסרת שיער שנתפס במברשת.

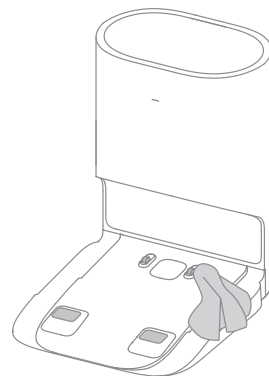


**שימו לב:** שימו לב: במידה והסתבר שיער סביב המברשת, אין למשוך את השיער בכוח, שלא ייגרם נזק למברשת.

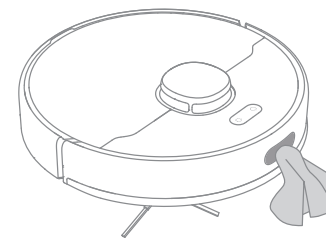
## תחזוקה שגרתית

**שימור לב:** נא השתמשו בסמרטוט יבש לצורך ניקוי, מכיוון שהרובוט וחלקים פנימיים בתחנת הטעינה מכילים רכיבים רגישים. אל תשתמשו בסמרטוט רטוב שלא ייגרמו נזקי מים.

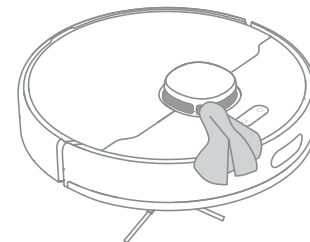
### ניקוי אנשי הקשר לטעינה וצריכת האבק



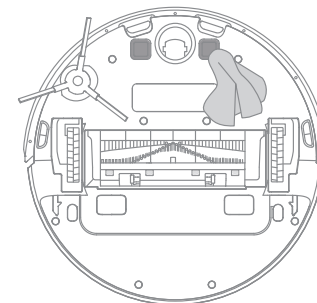
### ניקוי כפתור חזרה לבסיס



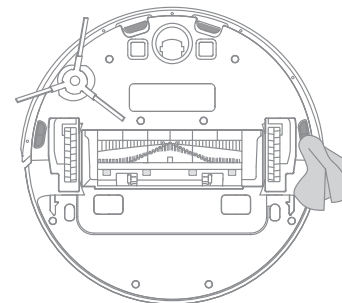
### נקו את חיישן הלייזר LDS



### ניקוי מגעי טעינה



### ניקוי חיישן קצוות

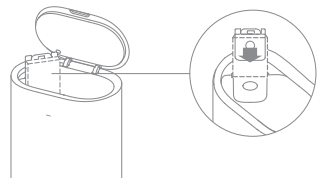


## תחזוקה שגרתית

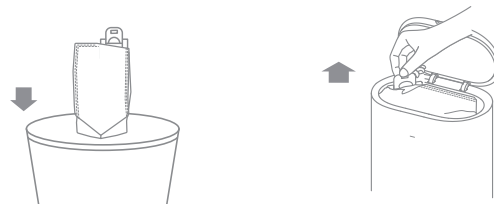
### החלף את תיק איסוף האבק

בהתאם למחזור המצב (כתום/מהבהב) והנחיות אפליקציה, החלף אותו בחדש כאשר שקית איסוף האבק מלאה. מומלץ להחליף את התיק כל 4-6 שבועות.

3. התקן שקית איסוף אבק חדשה

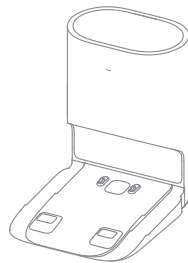


1. השלך את שקית איסוף האבק

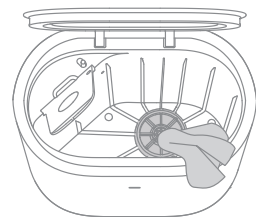


**הערה:** בעת הוצאת שקית איסוף האבק, סגור את ידית שקית האבק כדי למנוע דליפת אבק.

4. סגור את הכיסוי העליון של בסיס אוטו-ריקון



2. נקה את המסנן



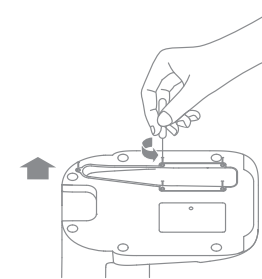
**שימו לב:** אין לסגור את הבסיס בכוח, אם המכסה העליון לא נסגר ומיכל האבק אינו במקומו.

## תחזוקה שגרתית

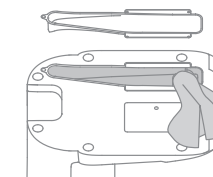
### לנקות את צינור האוורור

אם צינור האוורור חסום, אנא נקה אותו בהתאם לשלבים הבאים.

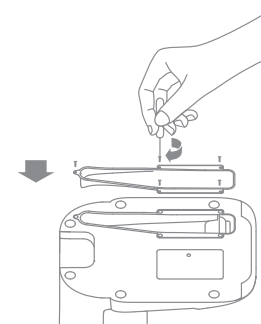
1. בטל את הברגים להרכבה על מכסה צינור האוורור והסר את לוחית הכיסוי.




2. בדוק אם צינור האוורור חסום על ידי חפצים זרים. אם בכלל, תנקה אותם.



3. התקן מחדש את מכסה צינור האוורור כפי שמוצג בדיאגרמה.



### אתחול הרובוט

אם הרובוט מפסיק להגיב או לא ניתן לכיבוי, לחצו והחזיקו את כפתור  למשך 10 שניות על מנת לכפות כיבוי. לאחר מכן לחצו והחזיקו את כפתור  למשך 3 שניות כדי להפעיל את הרובוט מחדש.

### סוללה

הרובוט מכיל סוללת ליתיום-יון מובנית עם ביצועים גבוהים, נא וודאו שהיא נותרת טעונה בשימוש יום-יומי כדי לשמור על ביצועי סוללה מיטביים. אם הרובוט לא בשימוש לפרק זמן ממושך, כבו אותו ואחסנו אותו. על מנת למנוע נזק לסוללה בשל פריקת יתר, יש לטעון את הרובוט לפחות פעם בשלושה חודשים.

סוג הבעיה	פתרון הבעיה
הרובוט אינו נדלק	רמת הסוללה נמוכה. לטעון את הרובוט בבסיס איסוף אבק טעינה, ואז לנסות את זה שוב. טמפרטורת הסביבה נמוכה מדי (מתחת ל°C 0) או גבוהה מדי (מעל °C 40). טמפרטורת הפעולה של הרובוט היא בין 0 ל40 מעלות.
הרובוט אינו נטען מחדש	בסיס האוטו-ריקון אינו מקבל חשמל. נא ודא ששני קצות כבל החשמל מחוברים כהלכה. מגע גרוע. מגעי טעינה נקיים של בסיס האוטו-ריקון והרובוט.
הרובוט לא יכול לחזור לבסיס איסוף האבק	יש יותר מדי מכשולים סביב בסיס האוטו-ריקון. מקם את הבסיס בשטח פתוח יותר. נא לנקות את אזור האיתות של בסיס אוטו-ריקון. הזזת הרובוט עלולה לגרום לו למקם את עצמו מחדש או למפות מחדש את סביבתו. אם הרובוט רחוק מדי מבסיס האוטו-ריקון, ייתכן שהוא לא יוכל לחזור באופן אוטומטי בכוחות עצמו, ובמקרה זה עליך למקם את הרובוט באופן ידני על הבסיס.
הרובוט אינו תקין	כבו את הרובוט והפעילו מחדש.
הרובוט מפיק רעש מוזר נעת הניקיון	יתכן וגוף זר נתפס בתוך המברשת הראשית, המברשת הצדדית או באחד מהגלגלים הראשיים. הפסיקו את פעולת הרובוט והוציאו את הלכלוך.
הרובוט אינו מנקה ביעילות או משאיר אבק	פח האבק מלא. נא לנקות את פח האשפה ואת צריכת האבק. המסנן חסום. אנא נקו אותו. גוף זר נלכד בתוך המברשת. אנא נקו אותה.

## מחווון מצב

הטבלה הבאה מפרטת סיבות ופתרונות אפשריים במונחים של מצב תאורה שונה. לקבלת תמיכה נוספת, עיין בסעיף "שאלות נפוצות" במדריך זה.

מצב אור	סיבה אפשרית	פתרון
כבוי	אין אספקת חשמל	בדקו וודאו שתספקות החשמל לבסיס תקינה.
	הרובוט נמצא בתקופה 'נא לא להפריע' המכשיר טעון מלאה ונכנס למצב שינה	/
לבן	גוף המכשיר אינו נמצע על הבסיס	/
לבן נושם	המכשיר בטעינה	/
כתום מהבהב	שגיאה	בדוק אם מותקנת שקית איסוף אבק. אם לא, התקן אחד. בדוק אם תיק איסוף האבק מותקן במקום.
		בדוק אם המכסה העליון סגור. אם לא, סגור את הכיסוי העליון בחוזקה.
		בדוק אם התיק מלא. אם כן, החלף אותו. הסר פסולת סביב צריכת האבק של הרובוט ואת בסיס האוטו-ריקון .
		נתק את כבל החשמל של בסיס איסוף הטעינה והאבק ובדוק אם קיימים אובייקטים זרים החוסמים את מכסה צינור האוויר. אם בכלל, תנקה אותם.
		בדוק אם סל האבק של הרובוט מותקן. לקבלת שגיאות אחרות, פנה לטכנאים מוסמכים או לשירות לאחר המכירה.

סוג הבעיה	פתרון הבעיה
הרובוט חוזר לבסיס האוטו-ריקון מבלי לבצע משימות איסוף אבק	מצב 'נא לא להפריע' מונע מהרובוט לבצע באופן אוטומטי משימות איסוף אבק.
שקית איסוף האבק מלאה	בדוק אם שקית איסוף האבק מלאה. אם כן, החלף אותה באחד חדש. מומלץ להחליף את התיק כל 4-6 שבועות. אם לא, בדוק אם צריכת האבק או צינור האוויר בתחתית הבסיס חסומים. הסר כל חסימה לפני השימוש.
משך איסוף האבק יכול להיות ארוך באופן בלתי מתקבל על הדעת לפעמים.	כאשר הרובוט מבצע משימות איסוף אבק במשך תקופה מסוימת, או כאשר צינור האוויר אינו מתפקד בצורה חלקה, משך איסוף האבק יורחב כדי למנוע חסימה.
המכסה העליון לא נסגר	בדוק אם מותקנת שקית איסוף אבק. אם לא, התקן אחד.

סוג הבעיה	פתרון הבעיה
הרובוט אינו מתחבר לרשת ה-Wi-Fi	חיבור Wifi אינו עובד כשורה. אפסו את רשת ה-Wi-Fi והורידו את הגרסה האחרונה של יישום Mi Home/Xiaomi Home/Dreamehome, לאחר מכן נסו להתחבר בשנית. הרשאת המיקום אינה פתוחה. נא וודאו איפשר הרשאת מיקום עבור Mi Home/Xiaomi Home/Dreamehome מופעלת. אות רשת ה-Wi-Fi חלש. אנא וודאו כי הרובוט נמצא בשטח עם קליטה טובה של רשת Wi-Fi. רשת Wifi בתדר 5Ghz לא נתמכת, נא וודאו חיבור הרובוט לרשת Wifi בתדר 2.4Ghz. שם המשתמש או הסיסמא של רשת ה-Wifi אינם נכונים. נא וודאו כי שם המשתמש והסיסמא נכונים.
הרובוט אינו מבצע ניקיון מתוזמן.	הסוללה חלשה. ניקיון מתוזמן לא יתחיל אלא אם כן נותרו לפחות 15% סוללה טעונה של הרובוט.
האם השארת הרובוט ברציף הטעינה צורכת חשמל אם הוא כבר טעון במלואו?	השארת הרובוט בבסיס האוטו-ריקון לאחר טעינתו המלאה צורכת מעט מאוד חשמל ומסייעת בשמירה על ביצועי סוללה מיטביים.
מים לא יוצאים מרכיב הניגוב, או שרק כמות קטנה של מים יוצאת.	וודאו כי מיכל המים מלא ( ונקו את משטח הניגוב במידת הצורך). נקו את הסמרטוט במידה והתלכלך. אנא וודאו כי הסמרטוט מותקן כנדרש בהתאם למדריך למשתמש. נקו את חורי האוויר במכסה מיכל המים.
הרובוט אינו ממשיך לנקות לאחר טעינתו	אנא וודאו כי הרובוט אינו מכוון על מצב "נא לא להפריע", מה שימנע ממנו לחזור ולנקות. הרובוט אינו חוזר לנקות כאשר הוא נטען באופן ידני או ממוקם על בסיס האוטו-ריקון.



## בסיס אוטו-ריקון

דגם	RCS7
קלט מדורג	220-240 V ~ 50-60 Hz
פלט מדורג	19.8 V === 1 A
הספק מדורג	600 W

## מפרט טכני

## רובוט

דגם	RLS3D
סוללה	5200mAh (קיבולת נומינלית)
זמן טעינה	משוער. 6 שעות
חיבור אלחוטי	Wi-Fi IEEE 802.11b/g/n 2.4 GHz
תאימות OS	אנדרויד 4.4 או iOS 10.0 ומאוחר יותר
מתח מדורג	14.4 V ===
הספק מדורג	46 W
תדר הפעלה	2400-2483.5 MHz
הספק פלט מקסימלי	< 20 dBm

SA  
מعلومات السلامة

## • قيود الاستخدام

يمكن استخدام هذا المنتج من قبل الأطفال الذين تتراوح أعمارهم بين 8 سنوات فما فوق والأشخاص الذين يعانون من قصور جسدي أو حسي أو فكري أو خبرة محدودة أو معرفة محدودة تحت إشراف أحد الوالدين أو الوصي لضمان التشغيل الآمن وتجنب أي خطر من المخاطر. يجب ألا يتم التنظيف والصيانة من قبل الأطفال دون إشراف.

• يجب ألا يلعب الأطفال بهذا المنتج. تأكد من بقاء الأطفال والحيوانات الأليفة على مسافة آمنة من الروبوت أثناء تشغيله.

• هذا المنتج مخصص لتنظيف الأرضيات في بيئة منزلية فقط. لا تستخدمه في الخارج أو على الأسطح غير الأرضية أو في بيئة تجارية أو صناعية.

• لا تستخدم الروبوت في منطقة معلقة فوق مستوى الأرض دون حاجز واقٍ.

• لا تضع الجهاز مقلوبًا، ولا تستخدم غطاء مستشعر LDS أو غطاء الجهاز أو ممتص الصدمات كمقبض للجهاز.

• لا تستخدم الروبوت عند درجة حرارة محيطة أعلى من 40 درجة مئوية أو أقل من 0 درجة مئوية أو على أرضية عليها سوائل أو مواد لاصقة.

• أبعد أي كابلات من الأرضية قبل استخدام الروبوت لتجنب قيامه بسحبها أثناء التنظيف.

• قم بإزالة العناصر الهشة أو الصغيرة من الأرضية لمنع الروبوت من الاصطدام بها وتحطيمها.

## البطاريات والشحن

- يرجى عدم استخدام قطعة قماش مبللة أو يدين مبللتين لمسح أو تنظيف موصلات شحن قاعدة جمع الغبار.
- لا تتخلص من البطاريات القديمة بشكل غير صحيح. يجب التخلص من البطاريات غير المطلوبة في مرفق إعادة التدوير المناسب.
- في حالة تلف سلك الطاقة أو تعطله، توقف عن استخدامه على الفور واتصل بخدمة ما بعد البيع.
- تأكد من إيقاف تشغيل الروبوت عند نقله ثم ضعه في عبوته الأصلية إن أمكن.
- إذا لم يتم استخدام الروبوت لفترة طويلة، فقم بشحنه حتى يمتلئ بالشحن، ثم أطفئه واحفظه في مكان بارد وجاف. أعد شحن الروبوت مرة واحدة على الأقل كل 3 أشهر لتجنب التفريغ المفرط للبطارية.
- يحتوي هذا المنتج على بطاريات لا يمكن استبدالها إلا من قبل فنيين مؤهلين أو خدمة ما بعد البيع.
- يتوافق مستشعر المسافة بالليزر مع معيار IEC 60825-1: 2014 لمنتجات الليزر من الفئة 1 ولا ينتج عنه إشعاع ليزر خطير.

## مستشعر المسافة بالليزر

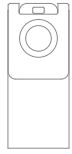
للحصول على دليل إلكتروني مفصل، يُرجى الانتقال إلى  
<https://global.dreametech.com/pages/user-manuals-and-faqs>

## معلومات السلامة

### قيود الاستخدام

- أبق الشعر والأصابع وأعضاء الجسم الأخرى بعيدة عن فتحة الشفط الخاصة بالروبوت.
- احفظ أداة تنظيف الفرشاة بعيدة عن متناول الأطفال.
- لا تضع الأطفال أو الحيوانات الأليفة أو أي شيء على الروبوت بغض النظر عن كونه ثابت أو متحرك.
- لا تستخدم الروبوت لتنظيف أي أسطح مشتعلة.
- ال تقم بكنس الأجسام الصلبة أو الحادة.
- قبل التنظيف أو إجراء الصيانة، تأكد من إيقاف تشغيل الروبوت وفصل قاعدة الشحن من مأخذ الكهرباء.
- لا تقم بمسح أي جزء من هذا المنتج باستخدام قطعة قماش مبللة أو أي سائل.
- يرجى استخدام هذا المنتج وفقا للتعليمات الواردة في دليل المستخدم. يتحمل المستخدمون مسؤولية أي خسارة أو ضرر ناتج عن الاستخدام غير الصحيح لهذا المنتج.
- لا تستخدم أي بطارية أو شاحن أو قاعدة جمع الغبار تابعة لشركة أخرى. تستخدم فقط مع وحدة الإمداد RCS7
- يرجى عدم تفكيك البطارية أو قاعدة جمع الغبار أو إصلاحهما أو تعديلهما بنفسك.
- يرجى عدم وضع قاعدة جمع الغبار بالقرب من مصدر الحرارة.

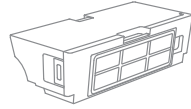
### البطاريات والشحن



كيس الغبار×2 (1 مثبت مسبقاً)



أداة التنظيف

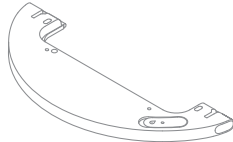


صندوق الغبار

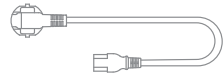


الفرشاة الرئيسية

### الملحقات الأخرى



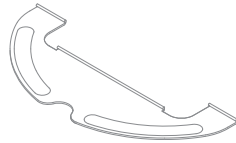
خزان المياه



الوصلة الكهربائية



الفرشاة الجانبية

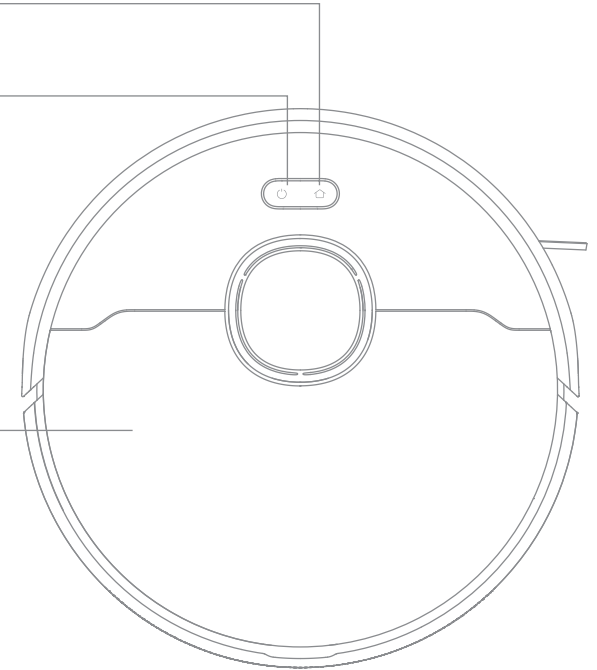


الممسحة

### الجهاز الرئيسي

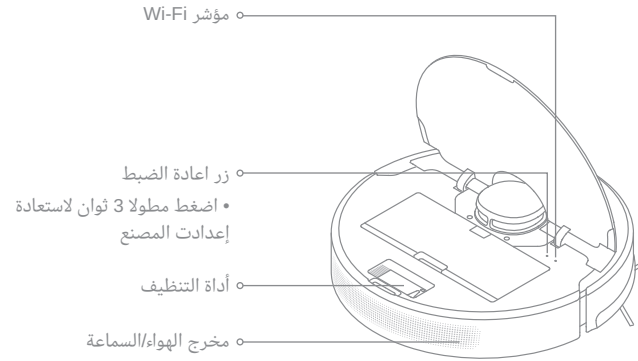
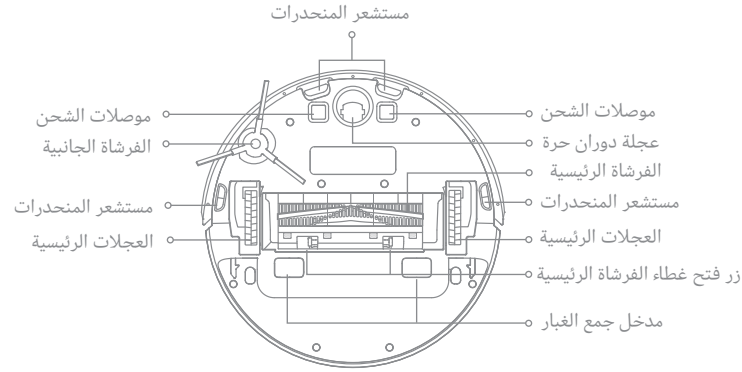
- التنظيف الجزئي/التنظيف الجزئي
- اضغط قصيرا لتشغيل وضعية الشحن
- اضغط قصيرا لتشغيل التنظيف الجزئي
- زر التشغيل/تنظيف
- اضغط مطولاً 3 ثوان للفتح او الغلق
- بعد التشغيل اضغط قصيرا لبدء التنظيف
- مؤشر الحالة
- الضوء الابيض: جاري التنظيف أو اكتمل التنظيف
- وميض برتقالي: حالة خلل
- وميض أبيض: جاري شحن المكنسة عندما تكون البطارية منخفضة

غطاء

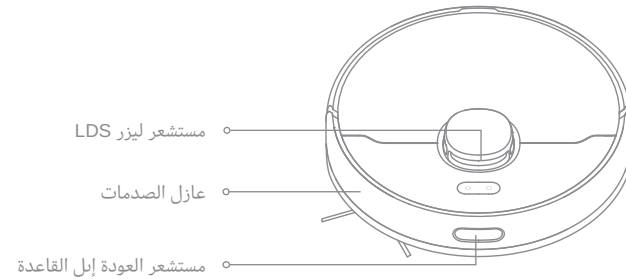


## تعريف بالمنتج

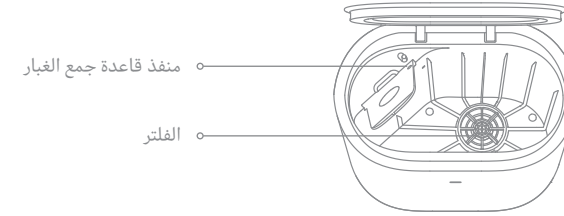
## الجهاز الرئيسي



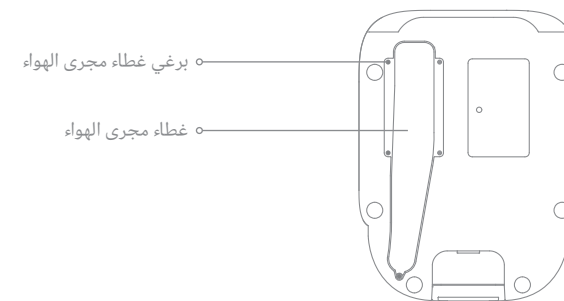
## مستشعر الجهاز الرئيسي



## افتح الغطاء العلوي

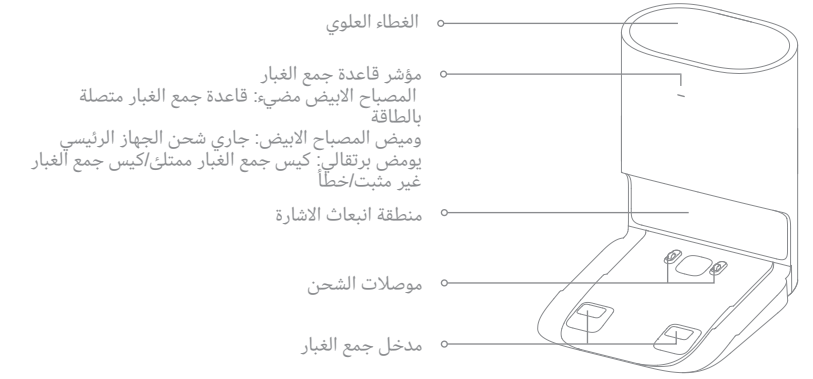


## الجزء السفلي

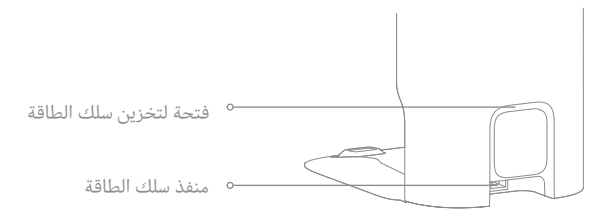


## تعريف بالمنتج

## قاعدة جمع الغبار

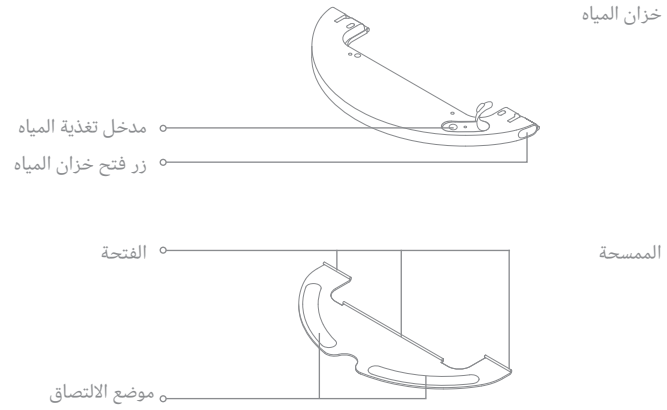


## الوجه الخلفي

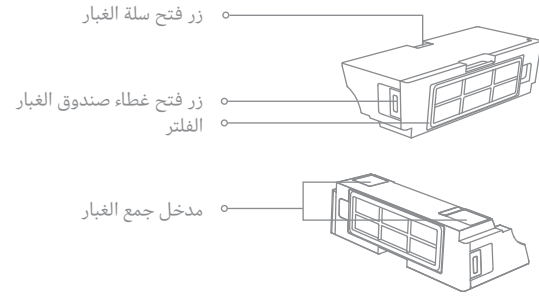


## تعريف بالمنتج

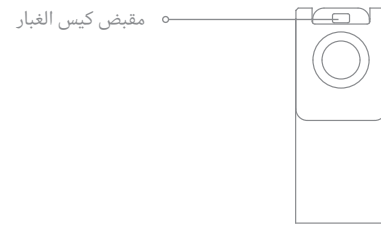
## وحدة المسحات



## صندوق الغبار

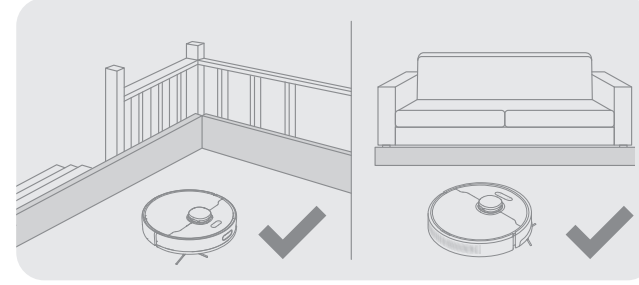


## كيس الغبار

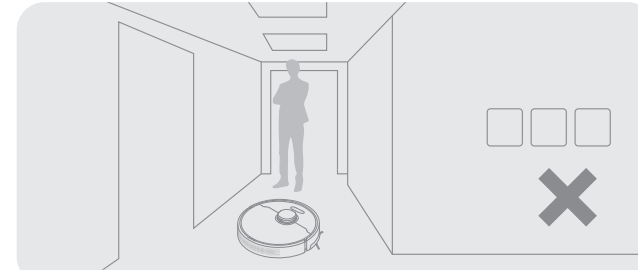


ملاحظة: عند الخروج من المصنع يتم تركيب كيس غبار جديد في سلة الغبار.

## ترتيب ارجاء المنزل SA



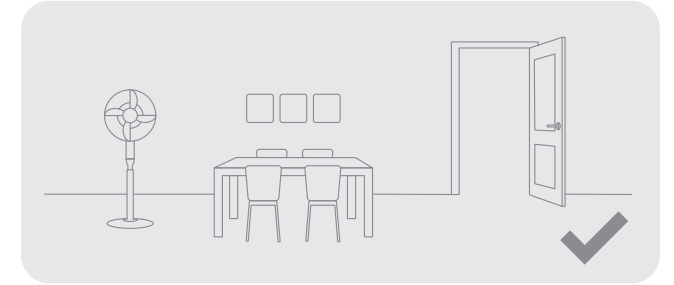
قبل التنظيف يرجى استعمال حاجز مادي لتجنب المعلقة او المناطق المنخفضة.



يرجى تجنب الوقوف أمام الجهاز الرئيسي، عند العتبة والممرات الضيقة، حتى يستطيع الجهاز الرئيسي من التعرف على المنطقة المراد تنظيفها.



قم بترتيب الأسلاك المبعثرة على الأرض والاحذية ولعب الأطفال وغيرها من الأشياء لتحسين كفاءة عمل الجهاز.



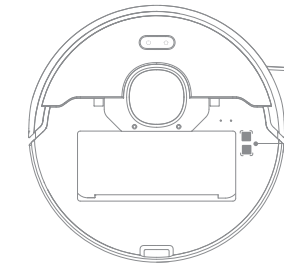
افتح باب الغرفة المراد تنظيفها، ثم ضع الأثاث في مكان مناسب لتوفير أكبر مساحة للتنظيف.

## الاتصال بتطبيق Mi Home/Xiaomi Home/Dreamehome

يُعد هذا المنتج تطبيق Mi Home/Xiaomi Home وتطبيق Dreamehome، والذي يمكن استخدامه للتحكم في الجهاز.

### 1. قم بتنزيل تطبيق Mi Home/Xiaomi Home/Dreamehome

امسح رمز الكود الموجود على المكنسة، أو ابحث عن "Dreamehome" أو "Mi Home" أو "Xiaomi Home" في متجر التطبيقات ومن ثم قم بتنزيل التطبيق وتنزيله حسب احتياجاتك.



تحت غطاء الجهاز

### 2. أضعف الجهاز

تطبيق Mi Home/Xiaomi Home: افتح واجهة تطبيق Mi Home/Xiaomi Home app، وانقر على علامة "+" في الزاوية العلوية اليمنى، ثم امسح رمز الكود أعلاه صوتياً مرة أخرى لإضافة "Dreame Bot D10 Plus". يُرجى اتباع التعليمات لإنهاء اتصال Wi-Fi.

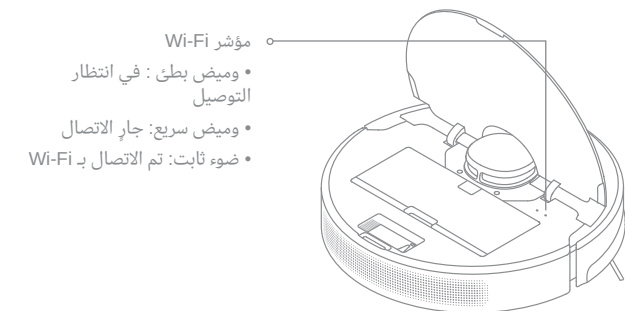
تطبيق Dreamehome: افتح واجهة تطبيق Dreamehome، وانقر على علامة "+" في الزاوية العلوية اليمنى وانتقل إلى واجهة "إضافة جهاز"، ثم اختر "Dreame Bot D10 Plus". يرجى اتباع التعليمات لإنهاء اتصال Wi-Fi.

ملاحظات:

- يدعم اتصال Wi-Fi اللاسلكي فقط الشبكات في نطاق التردد 2.4 جيجا هرتز.
- يبسّس ترقية وتحديث تطبيق Mi Home، قد تختلف عملية التشغيل قليلاً عن الوصف أعلاه، يرجى اتباع الإرشادات الخاصة لتطبيق Mi Home الحالي.

### 3. إعادة ضبط Wi-Fi

افتح الغطاء العلوي للكشف عن مؤشر Wi-Fi، واضغط مطولاً على المفتاح (١) واستمر بالضغط في نفس الوقت حتى تظهر رسالة صوتية "وانتظر تكوين الشبكة"، انتظر حتى يبدأ ضوء مؤشر Wi-Fi في الوميض ببطء مشيراً إلى أن الجهاز الرئيسي دخل في وضع تكوين الشبكة.

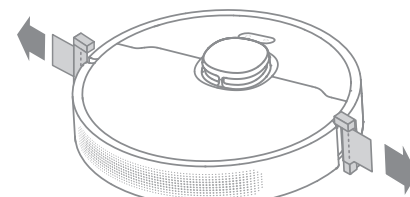


- مؤشر Wi-Fi
- وميض بطيء : في انتظار التوصيل
- وميض سريع: جارٍ الاتصال
- ضوء ثابت: تم الاتصال بـ Wi-Fi

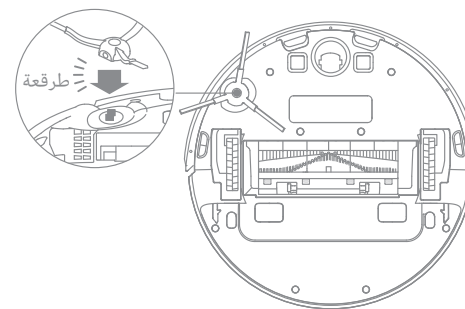
ملاحظة: عندما يتعدى على الهاتف المحمول الاتصال بالجهاز الرئيسي، يمكنك إعادة إضافة الجهاز بعد إعادة تعيين Wi-Fi والدخول في وضع تكوين الشبكة.

## تحضيرات قبل الاستخدام

### 1. إزالة مواد الحماية



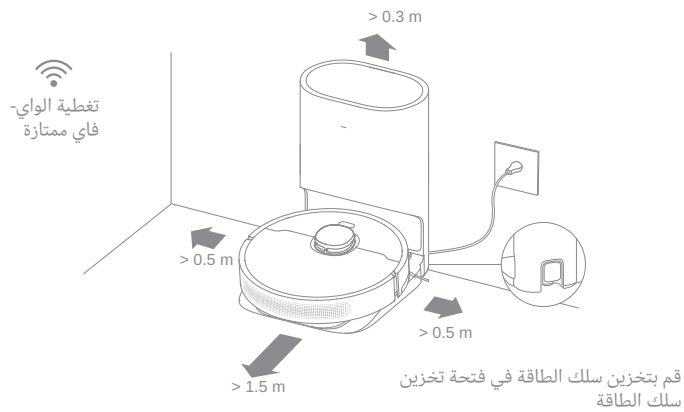
### 2. ركب الفرشاة الجانبية



ملاحظة: سماع صوت طرقة يعني انها قد ثبتت في المكان الصحيح.

## 3. قم بتوصيل القاعدة بمأخذ طاقة وابدأ الشحن

ضع قاعدة جمع الغبار على أرض مستوية بالقرب من الحائط وقم بتوصيلها إلى مصدر الطاقة. سيتم تشغيل الجهاز الرئيسي تلقائياً وبدء الشحن، بعد وضعه على قاعدة جمع الغبار. ينصح بشحنه جيداً عند أول استخدام.



قم بتخزين سلك الطاقة في فتحة تخزين سلك الطاقة

ملاحظة:

- تأكد من وجود مسافة 0.5 متر أو أكثر على جانبي قاعدة جمع الغبار، وأكثر من 1.5 متر أمامها.
- تجنب وضع أي عنصر على منطقة انبعاث الإشارة في قاعدة جمع الغبار.

### حول قاعدة جمع الغبار

من أجل تسهيل عودة الجهاز الرئيسي إلى سلة الغبار بسلاسة بعد التنظيف، يفضل البدء بإخراج الجهاز من سلة الغبار ولا يجب تحريكه بشكل عشوائي أثناء عملية التنظيف.

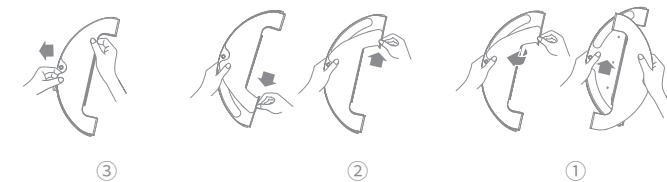
بعد أن يكمل الروبوت مهمة التنظيف ويعود تلقائياً إلى القاعدة، ستبدأ القاعدة في التفريغ تلقائياً. ويمكن تشغيل المزيد من الإعدادات على التطبيق.

## كيفية الاستخدام

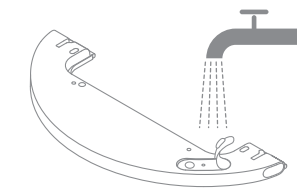
### 7. استخدام وظيفة المسح

من أجل تحقيق تأثير مسح أفضل، عند الاستخدام الأولي يوصى باستخدام وظيفة المسح بعد التنظيف 3 مرات.

1) بلل وسادة الممسحة واعصر الماء الزائد جيدا. أدخل وسادة الممسحة في فتحة خزان المياه كما هو موضح في الشكل ، والصق الوسادة بإحكام.

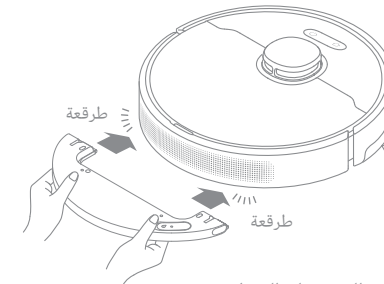


2) افتح غطاء تعبئة الماء وقم بتعبئة الماء بالتنظيف.



ملاحظة: تجنب استخدام المنظفات أو المطهرات.

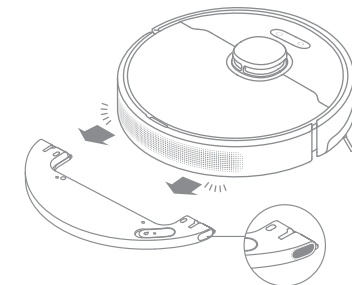
3) ادفع خزان المياه بشكل متوازٍ على طول الجزء الخلفي للجهاز الرئيسي، يشير سماع صوت "طرقة" إلى أن التثبيت في مكانه، اضغط قصيرا على الزر أو استخدم تطبيق Mi Home/Xiaomi Home/Dreamehome للبدء.



ملاحظة:

- لا ينصح باستخدام خاصية المسح على السجاد.
- استخدم التطبيق لضبط تدفق الماء حسب الحاجة.

4) إذا اردت فصل الخزان اضغط على المشبكين الجانبيين للداخل واسحب خزان المياه إلى الخلف.



ملاحظة: عند شحن الجهاز الرئيسي أو عدم استخدامه، قم بفك وحدة المسح، وقم بتفريغ جميع المياه المتبقية من الخزان، وتنظيف وسادة الممسحة لمنع الروائح الفظيئة أو الغير طبيعية.

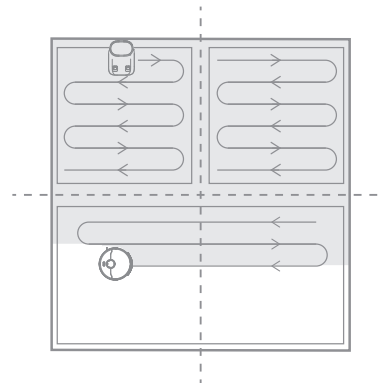
## كيفية الاستخدام

### 1. التشغيل/الإيقاف

اضغط مطولا على الزر للتشغيل، ضوء مؤشر المصدر الكهربائي ثابت يدل على أن الجهاز الرئيسي دخل في حالة الاستعداد. عندما يكون الجهاز الرئيسي في حالة سكون أضغط مطولا على زر 3 ثوانٍ على الزر للإيقاف.

### 2. بدء التنظيف

اضغط لوقت قصير على مفتاح الجهاز الرئيسي ، سيخطط الجهاز ديناميكيا لمسار التنظيف وفقا للخريطة الممسوحة ضوئيا بعد بدء التشغيل ، سيستكمل تنظيف كل منطقة واحدة تلو الأخرى باتباع الجدار ثم طريقة التعبئة على شكل قوس في المنطقة ، بحيث يكون التنظيف أكثر كفاءة.



### 3. وضع التنظيف

يمكن للعميل استخدام الهاتف المحمول لاختيار الوضع الهادئ والقياسي والقوي والفاائق، الوضع الافتراضي هو الوضع القياسي.

### 4. الإيقاف المؤقت/وضع السكون

الإيقاف المؤقت: عندما يكون الجهاز الرئيسي قيد التشغيل، اضغط قصيرا على زر للإيقاف المؤقت.

السكون: سيدخل الجهاز الرئيسي تلقائيا في حالة السكون، إذا لم تكن هناك أي عملية تشغيل لأكثر من 10 دقائق، في هذه الحالة سينطفئ مؤشر الطاقة وإعادة الشحن، اضغط على زر لإيقاف الجهاز.

ملاحظة:

- في حالة عدم الشحن، سيتم إيقاف التشغيل تلقائيا عندما يتجاوز وقت السكون 12 ساعة .
- ستهي مهمة التنظيف الحالية عند وضع الجهاز الرئيسي على قاعدة جمع الغبار أثناء الإيقاف المؤقت.

### 5. لتنظيف الجزئي

عندما يكون الجهاز الرئيسي في وضع الاستعداد أو متوقف مؤقتًا، اضغط مطولا على الزر لمدة 3 ثواني ليبدء وضع تنظيف البقع، في هذا الوضع، سيتم تنظيف مساحة مربعة الشكل مساحتها 1.5 x 1.5 متر حول الجهاز الرئيسي مباشرة. وعند الانتهاء من تنظيف البقعة، سيدخل الجهاز الرئيسي تلقائيا إلى موقعه الأصلي ويتم إيقاف تشغيله.

ملاحظة: تشغيل التنظيف الجزئي أثناء الإيقاف المؤقت ستهي التنظيف الحالي.

### 6. المزيد من وظائف التطبيق

استخدم تطبيق Mi Home يمكنك من استخدام وظائف متعددة مثل تنظيف غرفة محددة، تنظيف منطقة، حظر المناطق/جدران افتراضية، الخ.

ملاحظة:

- اتبع التعليمات الواردة على شاشة التطبيق لاستخدام المزيد من الوظائف.
- لقد تم تحديث إصدار التطبيق قد تضاف بعض التعديلات الطفيفة، يرجى اتباع التعليمات بناءً على إصدار التطبيق الحالي.

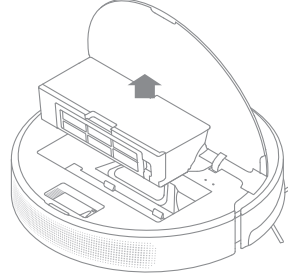
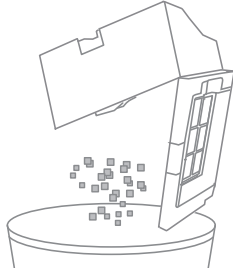
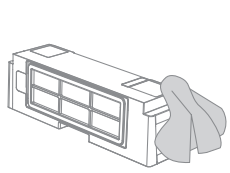
## الصيانة الروتينية

### سلة الغبار \* ينظف بعد كل استخدام

1. افتح غطاء الجهاز الرئيسي، ثم اضغط على زر فتح سلة الغبار لخلع سلة الغبار.

2. افتح غطاء سلة الغبار و اقلبها لرمي الأوساخ.

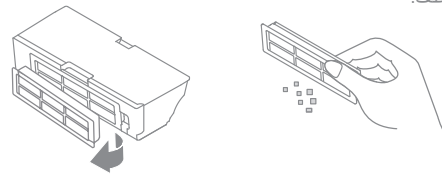
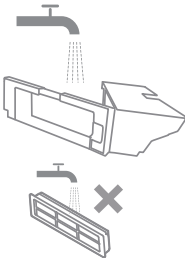
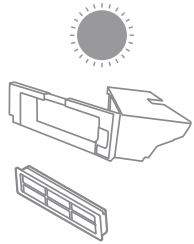
3. قم بتنظيف مدخل جمع الغبار بصندوق الغبار



### الفلتر

1. قم بإزالة الفلتر، واضرب على السلة الخاصة به بلطف.

2. لا تغسل الفلتر. قم بغسل سلة الغبار فقط وجففها جيدًا قبل إعادة التثبيت، تجنب غسل الفلتر.



### ملاحظة:

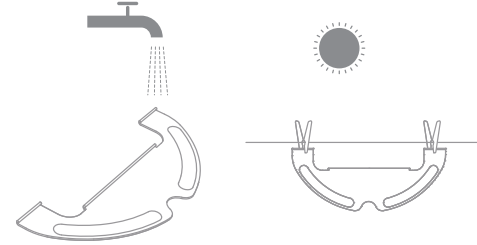
- تجنب تنظيف الفلتر بالفرشاة أو الأصابع.
- اشطف سلة الغبار بالماء النظيف فقط. لا تستخدم أي منظفات.
- استخدم سلة الغبار فقط عندما تجف الشبكة تمامًا.
- يوصى بتنظيف الفلتر كل أسبوعين واستبداله كل ثلاثة أشهر.

## الصيانة الروتينية

### تنظيف وحدة المسح

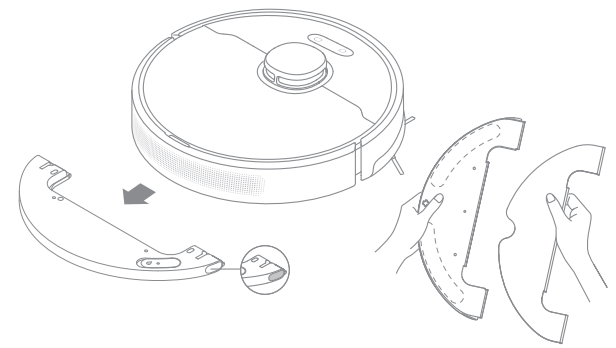
1) اضغط على زر الفتح الموجودة على جانب خزان المياه، قم بإزالة وحدة المسح ثم اسحب وسادة المسحة إلى خارج وحدة المسح لخلعها.

3) قم بشطف وسادة المسحة بالماء فقط واتركها تجف في الهواء قبل تركيبها.

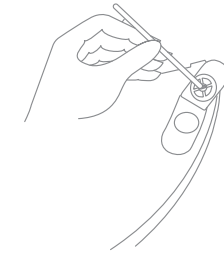


### ملاحظة:

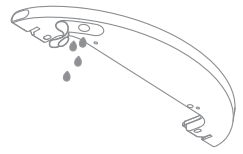
- تأكد من إزالة المسحة وتنظيفها بعد الاستخدام لمنع مياه الغير نظيفة من التدفق مرة أخرى وسد مخرج المياه.
- للحصول على أفضل تنظيف، يوصى باستبدال وسادة المسحة كل 3 إلى 6 أشهر.



4) في حالة حدوث تدفق بطيء للمياه، أو لم يتم توزيع الحجم بشكل جيد، يرجى تنظيف فتحة الهواء الموجودة في غطاء خزان المياه.



2) أفرغ المياه المتبقية داخل خزان المياه. نظفه بالماء فقط ثم دعه يجف بشكل طبيعي قبل إعادة التركيب.



ملاحظة: لا تعرض الخزان لأشعة الشمس مباشرة.

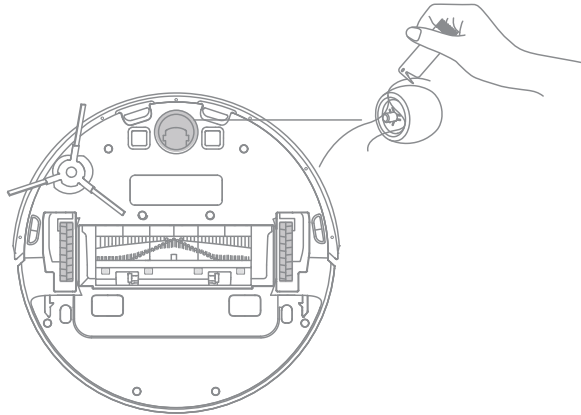


### تنظيف الفرشاة الجانبية

اسحب الفرشاة الجانبية واستخدم أداة التنظيف المرفقة لإزالة أي شعر متشابك على الفرشاة.



### تنظيف العجلة الرئيسية وعجلة الدوران الحر

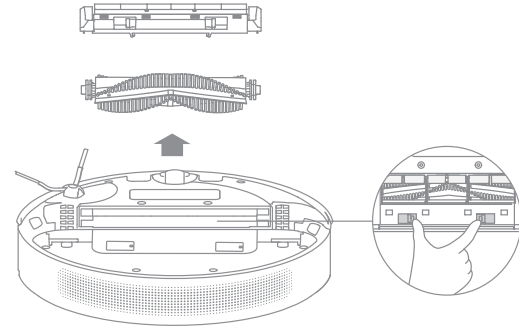


ملاحظة: استخدم الأدوات المتاحة لفصل محور العجلة.

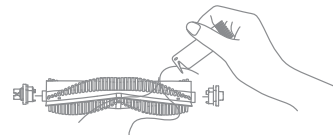
## الصيانة الروتينية

### تنظيف الفرشاة الرئيسية

اضغط على زر فتح غطاء الفرشاة الرئيسية على كلا الجانبين للداخل لإزالة غطاء الفرشاة الرئيسي، وأخرج الفرشاة الرئيسية لأعلى.



اسحب أغطية الفرشاة كما هو موضح في الرسم التخطيطي. استخدم أداة التنظيف المرفقة لإزالة أي شعر متشابك على الفرشاة.

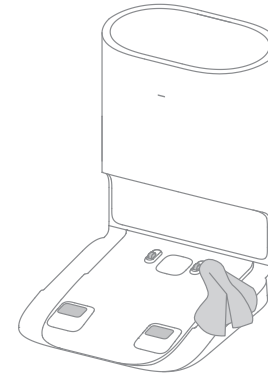


ملاحظة: لا تسحب الشعر بقوة كبيرة لتجنب تلف الفرشاة عندما يكون الشعر متشابكًا بإحكام على الفرشاة.

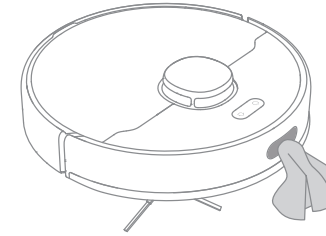
## الصيانة الروتينية

ملاحظة: يحتوي الجهاز الرئيسي وقاعدة الشحن على مكونات إلكترونية حساسة، يرجى استخدام قطعة قماش جافة عند التنظيف. لا تستخدم قطعة قماش مبللة لمنع التلف.

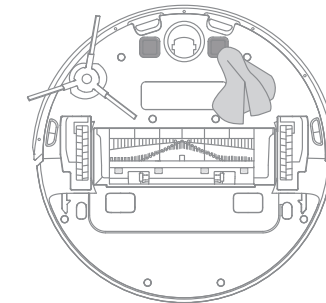
### نظف ريش الشحن ومدخل جمع الغبار



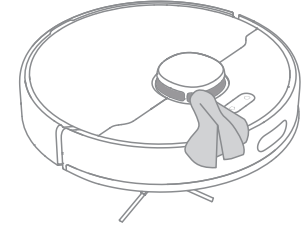
### مستشعر العودة إبل القاعدة تنظيف



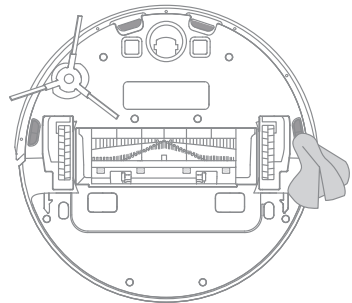
### تنظيف موصلات الشحن



### تنظيف مستشعر الليزر LDS



### تنظيف مستشعر المنحدرات

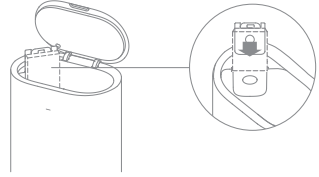


## الصيانة الروتينية

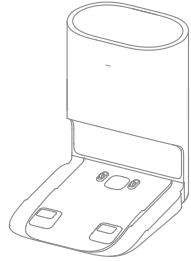
### استبدال كيس الغبار

استبدل كيس الغبار بأخر عند الامتلاء وفقًا لمؤشر سلة الغبار ( الضوء البرتقالي يومض بسرعة) أو وفقًا لمؤشر تطبيق الهاتف المحمول. يوصى باستبدال كيس الغبار كل 4-6 أسابيع .

3. تركيب كيس غبار جديد



4. إغلاق غطاء قاعدة جمع الغبار بأحكام



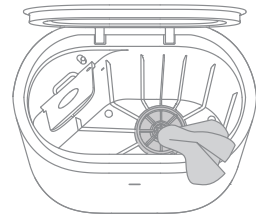
ملاحظة : يرجى عدم إغلاق الغطاء العلوي للقاعدة بقوة، في حال عدم التمكن من إغلاق الغطاء بسلاسة ولم يتم تثبيت كيس جمع الغبار.

1. التخلص من كيس الغبار



ملاحظة: عند إزالة كيس الغبار ، يفلق مقبض كيس الغبار لمنع تسرب الغبار بشكل فعال.

2. تنظيف الفلتر

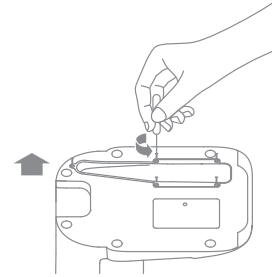


## الصيانة الروتينية SA

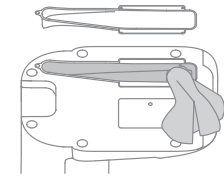
### تنظيف مجرى الهواء

في حالة انسداد مجرى الهواء ، يرجى اتباع الخطوات التالية للتنظيف.

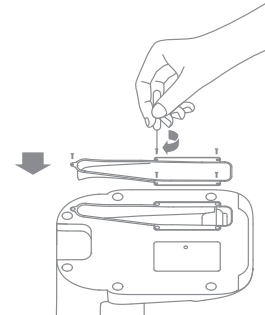
1. قم بفك برغي غطاء مجرى الهواء ومن ثم إزالة غطاء مجرى الهواء.



2. تحقق من انسداد مجرى الهواء و قم بتنظيفه جيدا.



3. أعد تركيب غطاء مجرى الهواء كما هو موضح في الشكل.



### إعادة تشغيل الجهاز الرئيسي

عندما لا تستجيب المفاتيح أو لا يمكن إيقاف التشغيل، اضغط مطولاً على الزر لمدة 10 ثوانٍ لفرض إيقاف، ثم اضغط على الزر مرة أخرى لمدة 3 ثوانٍ للتشغيل.

### البطارية

يحتوي الجهاز الرئيسي على حزمة بطارية ليثيوم أيون عالية الأداء، يرجى التأكد من أنها تظل مشحونة بشكل جيد أثناء الاستخدام اليومي للحفاظ على الأداء الأمثل للبطارية. إذا لم يتم استخدام الجهاز الرئيسي لفترة طويلة، فقم بإيقاف تشغيله ووضعه جانباً. لمنع التلف الناتج عن التفريغ الزائد، يجب إعادة شحن الجهاز الرئيسي مرة واحدة على الأقل كل ثلاثة أشهر.

## مؤشر الوضع

يتوافق مؤشر وضع قاعدة جمع الغبار مع الاوضاع والحلول المختلفة. للمزيد من الدعم ، يرجى الرجوع إلى فصل [FAQ] من هذا الدليل.

تأثير الإضاءة	الوضع	الحلول
إيقاف	لا يوجد إمداد طاقة	تحقق وتأكد من أن مصدر الطاقة للقاعدة طبيعي.
	الجهاز يوضع عدم الازعاج الجهاز الرئيسي في حالة سكون بعد الشحن الكامل	/
الضوء الابيض	الجهاز ليس بالقاعدة	/
المصباح الابيض يومض	جاري شحن الجاز الرئيسي	/
وميض برتقالي	حالة عطل	يرجى التحقق مما إذا كان كيس الغبار سليم ، وتبديله إذا كان بحالة سيئة ؛ يرجى التحقق مما إذا كان كيس الغبار في مكانه.
		يرجى التحقق من وضع الغطاء العلوي لسلة الغبار ، وإغلاقه بإحكام.
		يرجى التحقق من وضع كيس الغبار بقاعدة جمع الغبار واستبداله في الوقت المناسب . يرجى تنظيف المخلفات الموجود في منفذ تجميع الغبار أسفل الجهاز ومنطقة مدخل تجميع الغبار في سلة الغبار.
		يرجى فصل مصدر طاقة قاعدة جمع الغبار ، ووضعه أسفل السلة ، والتحقق مما إذا كان هناك أي مواد غريبة في منطقة الغطاء الشفاف السفلي ، في حالة إنسدادة ، يجب تنظيفه في الوقت المناسب .
		يرجى التحقق مما إذا كان صندوق جمع الغبار الخاص بالجهاز مثبتًا . يرجى الاتصال بالفنيين عند وجود أعطال أخرى.

نوع المشكلة	طريقة الحل
لا يمكن تشغيل الجهاز	البطارية ضعيفة ، يرجى شحن قاعدة جمع الغبار قبل استخدامه. درجة الحرارة المحيطة منخفضة جدًا (أقل من 0 درجة مئوية) أو مرتفعة جدًا (فوق 40 درجة مئوية) ، يرجى الاستخدام في بيئة من 0 إلى 40 درجة مئوية.
لا يمكن الشحن	لم يتم وصل قاعدة جمع الغبار بالطاقة ، يرجى التأكد من توصيل طرفي سلك الطاقة الخاص بقاعدة جمع الغبار. التوصيل ضعيف ، يرجى تنظيف قاعدة جمع الغبار وموصلا شحن الجهاز.
لا يمكن العودة إلى قاعدة جمع الغبار	توجد العديد من العوائق بالقرب من قاعدة جمع الغبار ، يرجى وضع قاعدة جمع الغبار في منطقة مفتوحة. يرجى مسح منطقة انبعاث الإشارة في قاعدة جمع الغبار. بعد نقل الموقع ، سيتم تغيير موضع الجهاز ، وسيتم تجديد الخريطة بعد فشل تحديد الموقع ، إذا كان قاعدة جمع الغبار بعيده ، فقد لا يتمكن من العودة للشحن ، يرجى إعادة الجهاز يدويًا إلى قاعدة جمع الغبار لشحنه.
الجهاز الرئيسي لا يعمل بشكل سليم	أوقف تشغيل الجهاز الرئيسي ثم أعد تشغيله
يوجد ضوء غير طبيعية أثناء التنظيف	قد يعلق جسم غريب في الفرشاة الرئيسية أو الفرشاة الجانبية أو إحدى العجلات الرئيسية. أوقف الجهاز الرئيسي وقم بالفحص.
انخفاض كفاءة التنظيف أو يتساقط الغبار	صندوق الغبار ممتلئ يرجى تنظيف صندوق الغبار ومدخل جمع الغبار. الفلتر مسدود الرجاء تنظيفه. هناك جسم غريب عالق في الفرشاة الرئيسية. يُرجى تنظيفها.

نوع المشكلة	طريقة الحل
ويعود الجهاز الى عدم إجراء جمع الغبار	ولن يتم إجراء جمع الغبار تلقائيًا خلال فترة عدم الإزعاج.
كيس الغبار بقاعدة جمع الغبار ممتلئ	يرجى التحقق مما إذا كان كيس الغبار الخاص بقاعدة جمع الغبار ممتلئًا ، واستبداله بكيس آخر جديد في الوقت المناسب ، يوصى باستبداله خلال 4-6 أسابيع ؛ إذا لم يكن كيس الغبار الخاص بقاعدة جمع الغبار ممتلئًا ، يرجى التحقق مما إذا كان مدخل جمع الغبار ومجرى الهواء الموجود في الجزء السفلي من قاعدة جمع الغبار مسدود ، يرجى إزالة أي انسداد قبل الاستخدام.
في بعض الأحيان يكون وقت جمع الغبار أطول	عند جمع الغبار لفترة معينة أو عندما لا تعمل مجرى الهواء بسلاسة ، سيتم تمديد وقت تجميع الغبار لمنع الانسداد.
فشل إغلاق غطاء القاعدة	يرجى التحقق مما إذا كان كيس الغبار سليم ، وتبديله إذا كان بحالة سيئة ؛

نوع المشكلة	طريقة الحل
لا يمكن الاتصال بشبكة Wi-Fi	اتصال Wi-Fi غير طبيعي، قم بإعادة ضبط Wi-Fi وتنزيل تطبيق Mi Home/Xiaomi Home/Dreamehome ومحاولة الاتصال مرة أخرى. لم تفتح صلاحية تحديد الموقع، يرجى التأكد من أن تطبيق Mi Home/Xiaomi Home/Dreamehome قد فتح صلاحية تحديد الموقع. إشارة Wi-Fi ليست جيدة، يرجى التأكد من أن الجهاز الرئيسي يقع في نطاق إشارة الـ Wi-Fi الجيدة. الجهاز الرئيسي لا يدعم شبكة Wi-Fi بسرعة 5 جيجاهرتز، يرجى التأكد من اتصال الجهاز الرئيسي بشبكة Wi-Fi بسرعة 2.4 جيجاهرتز. اسم مستخدم أو كلمة مرور Wi-Fi المنزلي غير صحيحة. الرجاء إدخال اسم مستخدم Wi-Fi وكلمة المرور بالشكل الصحيح.
لا يقوم الجهاز الرئيسي بالتنظيف المجدول	البطارية منخفضة في الجهاز الرئيسي. لن يبدأ التنظيف المجدول ما لم يكن مستوى بطارية الجهاز الرئيسي 15٪ على الأقل.
هل قاعدة جمع الغبار تستهلك الكهرباء طوال الوقت؟	عندما يكون الجهاز بقاعدة جمع الغبار بشكل دائم يكون استهلاك الطاقة منخفضًا ، مما يساعد على إبقاء البطارية في أفضل احوالها.
لا يوجد ماء يخرج من وحدة المسح أو يخرج القليل منه فقط	تأكد من إذا كان بالخزان بعض المياه ونظف وسادة الممسحة إذا لزم الأمر. نظف الممسحة إذا أصبحت متسخة. يرجى تركيب الممسحة بشكل صحيح حسب التعليمات. يرجى تنظيف فتحة الهواء العائد بأعلى غطاء خزان المياه في الوقت المناسب.
لن يستمر التنظيف عند نقص البطارية وإعادة الشحن	يرجى التأكد من أن الجهاز الرئيسي ليس في وضع عدم الإزعاج،التنظيف لن يستمر في هذا الوضع. لن تستمر عملية المسح في حال العودة للشحن اليدوي أو إعادة الجهاز إلى قاعدة جمع الغبار.

## قاعدة جمع الغبار

رقم الطراز	RCS7
الإدخال المقدر	220-240 V ~ 50-60 Hz
الإخراج المقدر	19.8 V --- 1 A
الطاقة المقدره	600 W

## المواصفات

## الجهاز الرئيسي

رقم الطراز	RLS3D
البطارية	5200 مللي أمبير/ساعة (سعة البطارية الاسمية)
مدة الشحن	6 ساعات تقريباً
الاتصال اللاسلكي	Wi-Fi IEEE 802.11 b/g/n 2.4 جيجاهرتز
التوافق مع أنظمة التشغيل	Android 4.4 أو iOS 10.0 وما فوق
الجهد المقدر	14.4 V ---
الطاقة المقدره	46 W
تردد العملية	2400-2483.5 MHz
طاقة الإخراج القصوى	< 20 dBm