

CARRERA

DESIGNED IN GERMANY

EN STICK BLENDER

Instruction manual

RU БЛЕНДЕР

Инструкция по эксплуатации



№ 573

Welcome to the **CARRERA** club!

The story of **CARRERA** starts in the 80' in Germany as a lifestyle across two product categories: personal care and home appliances.

CARRERA engineers and designers were inspired by the legendary Carrera Panamericana, the longest and the most challenging race in the 50'. Only the racers who were ready to go beyond the limitations of their own bodies and materials stood a chance of winning.

Today, that same philosophy drives **CARRERA** to develop unique and powerful products.

Each product is made of hi-tech components and quality materials outlining power, quality, innovative features and effective design.

This approach resonated with millions of people, boosting

CARRERA brand recognition in Europe up to 90 %.

CARRERA products have become an embodiment of German precision and craftsmanship.

Today, **CARRERA** continues to invest into research and development.

Each **CARRERA** product provides users with a sense of luxury, comfort and efficacy.

CARRERA is not just about tools. It is about a lifestyle.

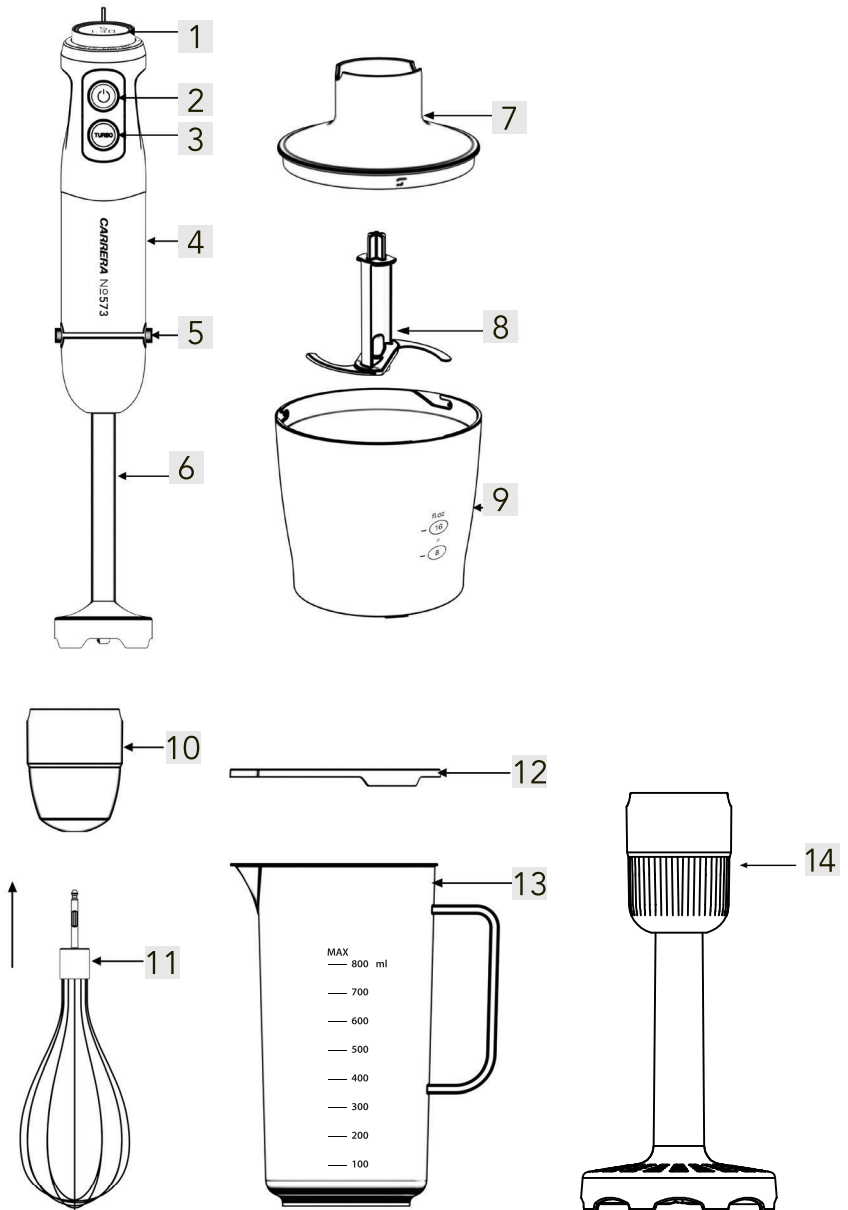
.....

CONTENT

.....

| | | |
|----|-------------------------|----|
| 01 | APPLIANCE OVERVIEW | 2 |
| 02 | SAFETY PRECAUTIONS | 3 |
| 03 | INTENDED USE | 5 |
| 04 | BEFORE USE | 5 |
| 05 | OPERATION | 6 |
| 06 | CLEANING & MAINTENANCE | 11 |
| 07 | TRANSPORT AND STORAGE | 12 |
| 08 | DISPOSAL | 12 |
| 09 | TROUBLESHOOTING | 13 |
| 10 | TECHNICAL SPECIFICATION | 13 |
| 11 | SCOPE OF DELIVERY | 14 |
| 12 | WARRANTY | 14 |
| 13 | ADDITIONAL INFORMATION | 15 |

01 APPLIANCE OVERVIEW



01 APPLIANCE OVERVIEW

- 1 Speed dial and display
- 2 Power button
- 3 Turbo button
- 4 Motor unit
- 5 Release buttons
- 6 Blender stick
- 7 Chopping bowl lid
- 8 Blade
- 9 Chopping bowl
- 10 Whisk holder
- 11 Whisk
- 12 Beaker lid
- 13 Beaker
- 14 Potato masher

02 SAFETY PRECAUTIONS

These important safety precautions are critical part of the appliance. Please read them all carefully before using the appliance for the first time. You may keep the instructions for future reference or pass it to other users. Always handle the appliance with care and warn other users of the potential danger.



WARNING!

Improper use of the appliance may result in personal injury.

- Make sure that the mains voltage stated on the rating plate corresponds to the local electricity supply. Check the appliance for mechanical damage. Do not use the appliance if any is found.
- The appliance is not recommended to be connected to the mains using extension cords, splitters and adapters.
- In order to avoid overloading the electrical network, it is not recommended to turn several appliances on with high power consumption at the same time.
- The appliance is recommended to be connected to a grounded outlet.
- Do not connect the appliance to the power source before finishing assembly and adjustment.
- Do not use the appliance other than for intended use.
- Place the appliance on a firm and steady surface.
- Do not place the appliance on wet or hot surfaces.
- Do not use the appliance in outdoor environment.
- Do not use the appliance in places where aerosols are sprayed or flammable liquids are present.
- Do not use the appliance near curtains or other flammable objects.
- This appliance is designed for household use only.
- Do not place the appliance near sources of water or other liquids, or near heating appliances.
- Do not immerse the appliance in water or any liquids. Do not touch it with wet hands. Switch the appliance off immediately if it becomes wet.

- Keep the appliance and power cable away from high temperatures, direct sunlight, moisture and other negative influences.
- Do not turn the appliance on if it was dropped, even if there is no external damage, until it is inspected by a qualified specialist.
- Do not mix anything other than foodstuffs or liquids in the appliance.
- Be careful when adding hot liquids to the bowl. Do not mix hot oil or fat in the appliance. Do not chop food that is too hot: it must cool down to at least 80 °C.



WARNING!

The knife blades are very sharp: be careful when emptying the bowl and cleaning the appliance. Do not touch the blades if the attachment is installed on the motor unit. Do not clean the blades with bare hands, use a cleaning brush.

- Keep clothing, kitchen utensils, fingers and hair away from the blade rotation area.
- Do not leave the appliance unattended when it is connected to main supply.
- Do not use the appliance with non-original accessories.
- Do not let cord hang over the edge of table or counter or touch hot surface. Do not place the cord on a sharp edge of an item.
- Children should not be playing with the appliance. This appliance should not be used by children. Keep the appliance and its cord out of children's reach.
- Do not allow children to play with the appliance, accessories, box or other packaging to avoid injury or suffocation.
- Do not pull the cable, when disconnecting the appliance from the mains. Do not wind the cable around the appliance. Do not try to carry the appliance by the cable.
- If the power cord is damaged, it must be replaced by a qualified specialist to avoid any hazard.
- Always disconnect the appliance from the power supply when it is not used and before assembling, disassembling, replacing nozzles or cleaning.
- Clean the appliance and accessories after each use.

- The appliance can be used by persons (including children) with reduced physical, sensory or mental capabilities or lack of experience and knowledge if they are under supervision or have been given instruction concerning use of the appliance in a safe way and understand the hazards involved.
- Regularly check the appliance and its cable for mechanical damage and do not use the appliance if any is found. It is forbidden to repair the appliance or make changes to its design on your own. Do not attempt to open the main body or dismantle any parts from the appliance. Repair of the appliance or replacement of the power cord must be carried out in a specialized service center only.

03 INTENDED USE

The blender is designed for chopping, mixing and blending various products.

This appliance is intended for use in domestic or commercial areas in accordance with the intended use and safety precautions described in this user manual.

04 BEFORE USE

- After storage or transportation at low temperatures, keep the appliance in a warm room for two hours before turning it on.
- Remove all packaging materials from the appliance. Make sure that the accessories of the appliance fit the description, and that the appliance is not damaged.
- Wipe the body and the chopping bowl lid of the appliance with a damp cloth and wipe dry. Wash other accessories with warm water and mild detergent. Let them dry completely.

05 OPERATION

1. Make sure the appliance is unplugged and connect the blender stick, whisk or chopper to the motor unit. To remove the attachment, press both buttons simultaneously to remove the attachments.
2. Prepare the ingredients: cut large foods into small pieces, cool hot ingredients to a temperature of no more than 80 °C. Place the ingredients in a suitable container.
3. Put the attachment into the container with the ingredients, press and hold the power button. When using the chopper, make sure the chopper lid is tightly closed.
4. If necessary, adjust the speed using the speed control: 6 speeds are available. The set speed as well as the running time will be displayed on the LED display located on the handle of the appliance.
5. To use the appliance at maximum speed, press and hold the turbo mode button.
6. After use unplug the appliance from the mains and disconnect the attachment. Clean the appliance as described in the "Cleaning & Maintenance" section.
7. The maximum working capacity for a beaker is 800ml, but for some recipes, it still may spilt, starting with 600ml is suggested.

Notes:

- **Observe the appliance's operating time recommendations: the duration of continuous operation when mixing liquid products must not exceed 3 cycles of 1 minute, and when grinding solid products – 3 cycles of 15 seconds each. After 3 cycles, before continuing work, take a break to allow the electric motor to cool down (at least 3-4 minutes).**
- **After being connected to the mains, the appliance is in stand-by mode; speed setting "1" will be shown on the display. The appliance can be activated by pressing any button.**

Using the timer

The stick blender is equipped with a timer function for monitoring the blending time on the display. The timer will be automatically reset to "0:00" after 10 minutes of operation.

To deactivate the timer, turn the speed control clockwise towards "+", holding it for 2–3 seconds. Whilst turning the speed control, the speed indicated on the display will increase by one step; releasing the speed control reactivates the previously selected speed.

To reactivate the timer repeat the steps.

To reset the timer manually turn the speed control counterclockwise towards "-", holding it for 2–3 seconds. The timer will be reset, "0:00" will be shown on the display. When turning the speed control, the speed indicated on the display will decrease by one step; releasing the speed control reactivates the previously selected speed.

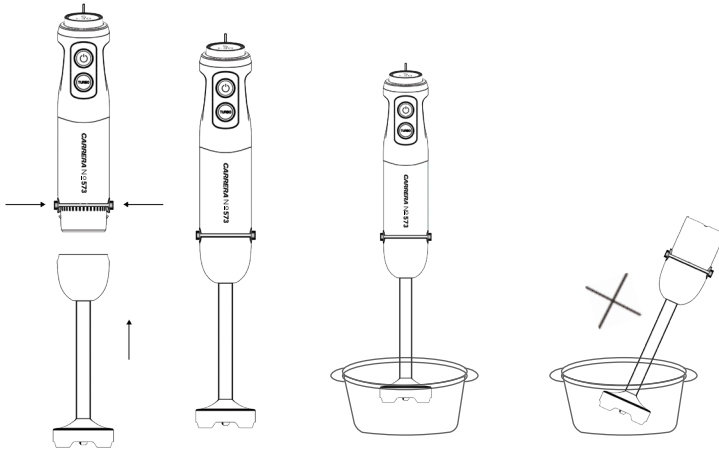
Using the blender stick

The blender stick is perfectly suited for preparing dips, sauces, soups, mayonnaise and baby food as well as for mixing and making milkshakes. The blender stick can be also used to crush ice.

To avoid damage to the appliance, do not process too hard foods such as frozen foods, cereals, spices, coffee, etc. Blend and mix any ingredients with a small amount of liquid.

Insert the blender stick onto the motor unit until it locks. Slowly move the blender up and down in a circular motion. Keep the blender upright!

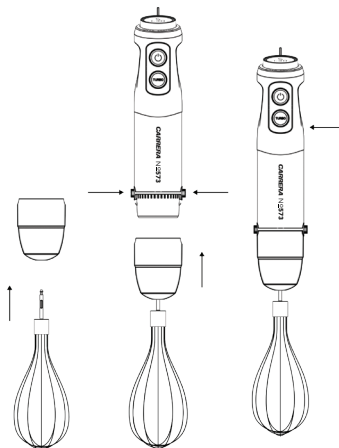
You can use the blender in the beaker and chopping bowl as well as in any other suitable container.



Using the whisk

Use the whisk for whipping cream, beating egg whites and mixing sponges.

Insert the whisk into the whisk holder, then slot the gear box onto the motor unit until it locks. Slowly move the appliance up and down in a circular motion. Keep the appliance upright!



It is recommended to use the beaker. When using the beaker, pay attention to the MAX mark. You can store the mixture you get in the beaker with the lid closed.

Using the chopper

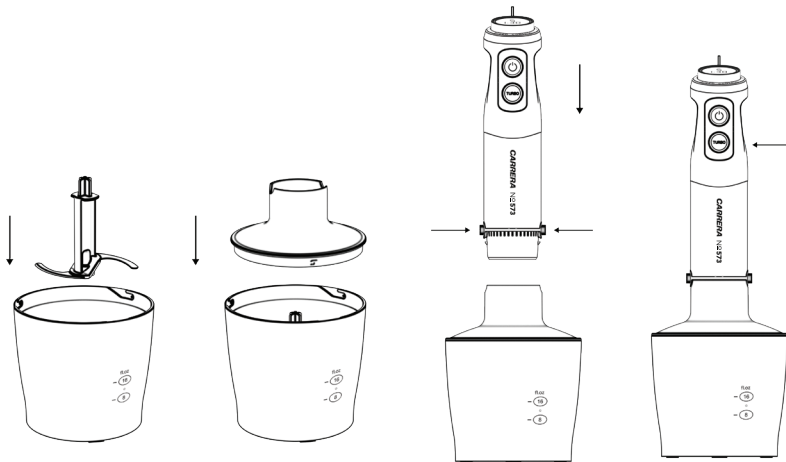
The chopper is perfectly suited for hard food, such as meat, cheese, onion, herbs, garlic, carrots, walnuts, almonds, prunes etc. Don't chop extremely hard food, such as ice cubes, nutmeg, coffee beans and grains.

Carefully remove the plastic cover from the blade. Caution: the blade is very sharp! Always hold it by the upper plastic part.

Place the food in the chopper bowl, paying attention to the MAX mark. Do not put in the bowls too big chunks.

Place the blade on the center pin of the chopper bowl. Press down the blade and lock the bowl. Always place the chopper bowl on the anti-slip base.

Place the chopping bowl lid on the chopper bowl. Place the motor unit on the chopping bowl lid until it locks.

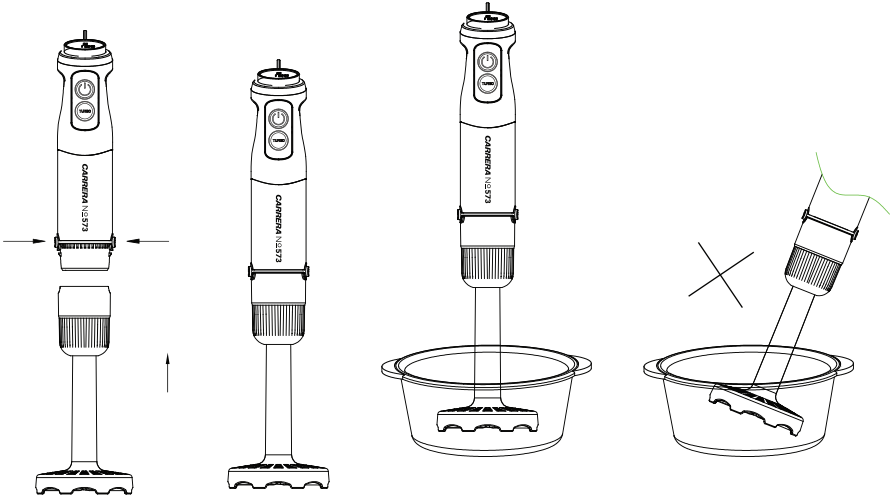


After use unplug then press the ejection button to remove the motor unit. Remove the chopping bowl lid. Carefully take the blade out. Remove the processed food from the chopper bowl.

Using the masher

Use the masher only for cooked potato or egg.

Slot the masher onto the motor unit until it locks. Use the blender at speed I or II. Hold the appliance vertically during use.



Processing Guideline

| Food | Quantity, Max | Operation Time |
|---------------------------|---------------|----------------|
| Meat | 250 g | 15 sec |
| Greens | 50 g | 10 sec |
| Nuts | 150 g | 15 sec |
| Cheese | 100 g | 10 sec |
| Bread | 80 g | 10 sec |
| Onion | 200 g | 10 sec |
| Biscuits | 150 g | 10 sec |
| Soft fruit and vegetables | 200 g | 10 sec |

06 CLEANING & MAINTENANCE

Before cleaning the appliance, always unplug it and wait until it cools down. Clean it after each use.



WARNING!

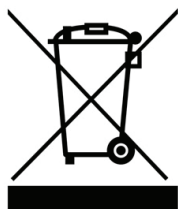
The blades are very sharp, please pay attention.

- Clean the motor unit and chopping bowl lid only with a damp cloth. Do not immerse the motor unit in water! Do not use any harsh or abrasive cleaning agents.
- All parts except the motor unit and the chopping bowl lid can be cleaned in the dish washer. Be careful not to use an overdose of cleaner or decalcifier in your dishwasher.
- When processing food with color, the plastic parts of the appliance may become discolored. Wipe these parts with vegetable oil before placing them in the dishwasher.
- After having blended very salty food, you should immediately rinse the blades with clean water.
- Dry thoroughly before storing the appliance.

07 TRANSPORT AND STORAGE

- Store the appliance in a clean, closed, dry room at an ambient temperature between 5 and 40 °C and a relative humidity of no more than 70 %.
- Transportation of the device can be carried out by all means of transport, in accordance with the rules for the carriage of goods. When transporting in the original packaging, protect the appliance from damage, preventing the exposure to precipitation and aggressive environments.
- When transporting the appliance without original packaging, use bubble wrap and corrugated cardboard packaging. Wrap each element of the appliance in a film and place it vertically in the container. The free distance between the elements of the product must be laid with air bubble wrap or folded cardboard.

08 DISPOSAL



To protect the environment, do not dispose of appliance and the batteries with household waste. Bring the appliance and batteries to specialized points for further disposal. For more information on the disposal of this product, contact your local authority, your household waste disposal service, or the retailer.

09 TROUBLESHOOTING

| Problem | Possible Cause | Solution |
|--|--|--|
| The appliance does not work. | The outlet to which the appliance is connected may be damaged. | Make sure the appliance is properly connected to the network. Check the fuse in your home's electrical outlet. |
| | The voltage of the power supply to which the appliance is connected does not match the voltage of the appliance. | Make sure that the voltage indicated on the appliance matches the voltage of the power supply. |
| | The chopping bowl lid is installed incorrectly. | Install the lid correctly. |
| During operation, the liquid spills over the edge. | Too much food inside the bowl. | Observe the MAX mark on the bowl. |
| Blades do not rotate. | The blades are damaged. | Contact an authorized service center. |
| Too much work during operation. | The appliance is placed on an uneven surface. | Place the appliance on a suitable surface. |



WARNING!

Never repair the appliance yourself, contact an authorized service center or a qualified specialist.

10 TECHNICAL SPECIFICATION

- Model: CRR573
- Nominal Power: 1000W
- Powerful motor maximum output: 1500W
- Voltage: 220-240 V~, 50/60 Hz
- 6 speeds
- Turbo mode
- Stainless steel body
- Protection class: II

11 SCOPE OF DELIVERY

- Motor unit
- Blender stick
- Chopping bowl lid
- Blade
- Chopping bowl
- Whisk holder
- Whisk
- Beaker lid
- Beaker
- Potato masher
- Instruction manual

12 WARRANTY

Organization for warranty service and acceptance of claims:
LLC "MVM", Russia, 105066, Moscow, Nizhnyaya Krasnoselskaya str.,
40/12, building 20, floor 5, room II, room 3.

Phone: +7 (495) 644-28-48

Information about the warranty conditions:

<https://www.eldorado.ru/spv>

or by phone Eldorado - 8 (800) 250 25 25

<https://www.mvideo.ru/spv>

or by phone M.Video - 8 (800) 600 77 75

The seller's warranty is 12 months from the date of sale (transfer) of the goods to the Customer.

13 ADDITIONAL INFORMATION

Manufacturer: CARRERA GLOBAL FZCO

Address: DSO-IFZA-19795, IFZA Properties, Dubai Silicon Oasis, UAE

Made in China

Importer/Manufacturer's authorized company:

LLC "MVM", Russia, 105066, Moscow, Nizhnyaya Krasnoselskaya str., 40/12, building 20, floor 5, room II, room 3.

E-mail: cert-log@mvideo.ru

Phone: +7 (495) 644-28-48

Installed by the manufacturer in accordance with paragraph 2 of article 5 of the Law of the Russian Federation "On Consumer Protection" the service life of this product is 3 years from the date of sale, provided that the product is used in accordance with the rules and recommendations set forth in this instruction manual and applicable technical standards.

There are no special conditions for the sale.

The date of manufacture is indicated (coded) on the device, where the 1st and 2nd digits from the beginning are the month of manufacture; the next 4 digits are the year of manufacture.

The product is certified, meets the requirements:

TR TS 004/2011 "On the safety of low-voltage equipment",

TRTS 020/2011 "Electromagnetic compatibility of technical means"

TR EAEU 037/2016 "On the restriction of the use of hazardous substances in products of electrical engineering and radio electronics".



Добро пожаловать в клуб **CARRERA!**

История бренда начинается в 1980-е гг. в Германии, когда дизайнеры разработали первые линейки техники для дома и для ухода за собой.

Инженеры и дизайнеры **CARRERA** вдохновлялись легендарной Carrera Panamericana - самой долгой и опасной гонкой 1950-х. На победу в гонке могли рассчитывать лишь те, кто выкладывался до конца и был готов выйти за пределы возможностей человека и техники.

Эта философия и легла в основу всех продуктов **CARRERA.**

Для каждого устройства используются Hi-Tech компоненты и высококачественные материалы. Акцент делается на мощность, качество, инновационность и функциональный дизайн.

Такой подход нашел отклик в сердцах миллионов покупателей: в настоящий момент узнаваемость бренда в Европе достигла 90 %, а продукты **CARRERA** стали признанным воплощением немецкой точности и мастерства.

Сегодня **CARRERA** продолжает инвестировать в научные исследования и развитие. В каждом созданном продукте сочетается комфорт, производительность и роскошь.

CARRERA - это не просто техника. Это стиль жизни.

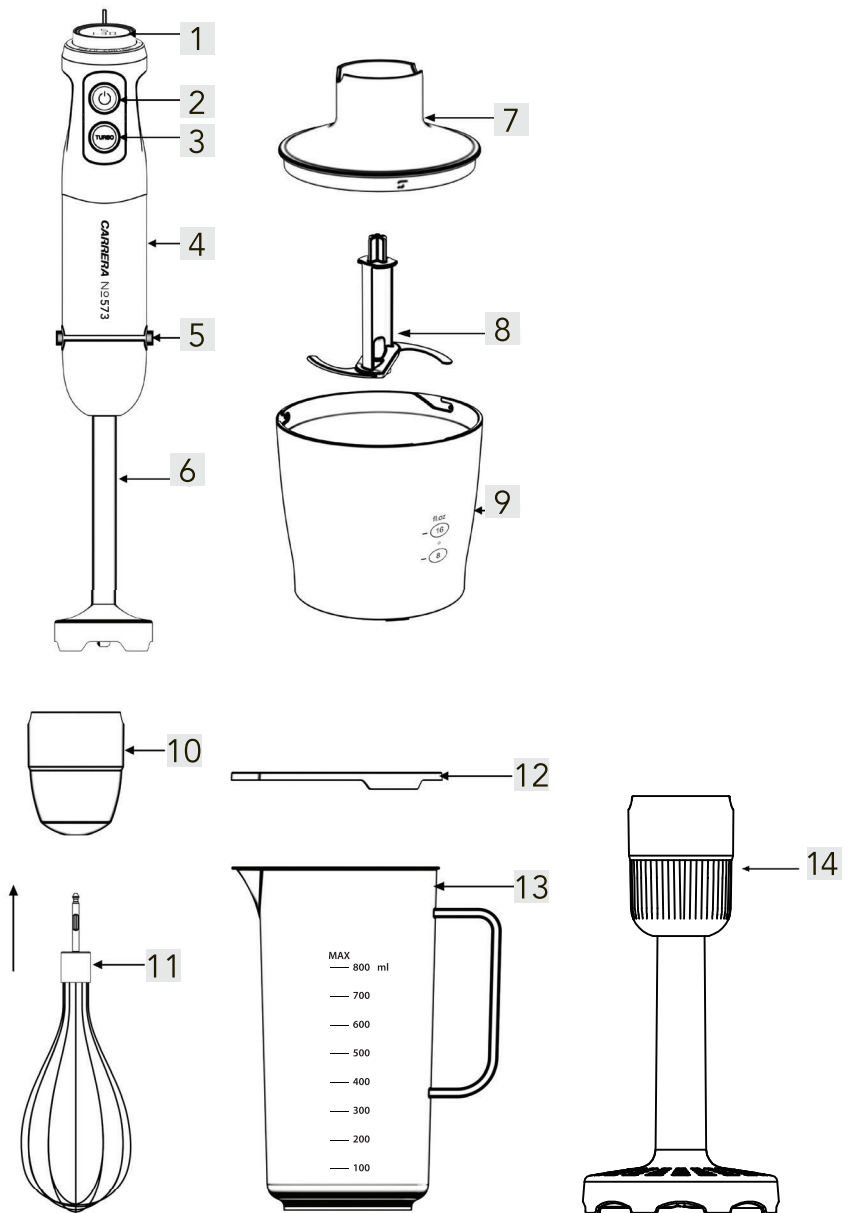
.....

СОДЕРЖАНИЕ

.....

| | |
|-------------------------------|----|
| 01 СХЕМА ПРИБОРА | 2 |
| 02 МЕРЫ БЕЗОПАСНОСТИ | 4 |
| 03 НАЗНАЧЕНИЕ | 6 |
| 04 ПОДГОТОВКА К РАБОТЕ | 7 |
| 05 ЭКСПЛУАТАЦИЯ | 8 |
| 06 ОЧИСТКА И УХОД | 13 |
| 07 ТРАНСПОРТИРОВКА И ХРАНЕНИЕ | 14 |
| 08 УТИЛИЗАЦИЯ | 14 |
| 09 УСТРАНЕНИЕ НЕИСПРАВНОСТЕЙ | 15 |
| 10 ТЕХНИЧЕСКИЕ ХАРАКТЕРИСТИКИ | 15 |
| 11 КОМПЛЕКТАЦИЯ | 16 |
| 12 ГАРАНТИЯ | 16 |
| 13 ДОПОЛНИТЕЛЬНАЯ ИНФОРМАЦИЯ | 17 |

01 СХЕМА ПРИБОРА



01 СХЕМА ПРИБОРА

- 1 Регулятор скоростей и дисплей
- 2 Кнопка включения
- 3 Кнопка турборежима
- 4 Корпус с электродвигателем
- 5 Кнопки для извлечения насадок
- 6 Насадка-блендер
- 7 Крышка измельчителя
- 8 Нож измельчителя
- 9 Чаша измельчителя
- 10 Держатель насадки-венчика
- 11 Насадка-венчик
- 12 Крышка чаши для смешивания
- 13 Чаша для смешивания
- 14 Насадка для картофельного пюре

02 МЕРЫ БЕЗОПАСНОСТИ

Перед первым использованием прибора внимательно прочтите меры безопасности. Сохраните инструкцию для дальнейшего использования и при необходимости передайте ее другим пользователям. Обращайтесь с прибором осторожно и предупреждайте других пользователей о потенциальной опасности.



ВНИМАНИЕ!

Неправильное использование прибора может привести к травме.

- Перед использованием прибора убедитесь в соответствии рабочего напряжения прибора и напряжения электросети. Проверьте прибор на наличие механических повреждений. Не используйте прибор при их обнаружении.
- Не рекомендуется подключать прибор к электросети при помощи удлинителей, разветвителей и переходников.
- Во избежание перегрузки электрической сети не рекомендуется включать одновременно несколько устройств с большим потреблением мощности.
- Рекомендуется подключать прибор к розетке с заземлением.
- Не подключайте прибор к источнику питания до полной сборки и регулировки.
- Не используйте прибор не по назначению.
- Используйте прибор только на твердой и устойчивой поверхности.
- Не используйте и не ставьте прибор на влажную или горячую поверхность.
- Не используйте прибор на открытом воздухе.
- Не используйте прибор в местах, где распыляются аэрозоли или есть легковоспламеняющиеся жидкости.
- Не размещайте прибор вблизи источников воды и других жидкостей, а также рядом с нагревательными или отопительными приборами.

- Не погружайте прибор в воду или другие жидкости и не прикасайтесь к нему влажными руками. При намокании прибора сразу отключите его от сети.
- Берегите прибор и шнур питания от воздействия высоких температур, прямых солнечных лучей, сырости и прочих негативных воздействий.
- Не включайте прибор, если он упал, даже при отсутствии внешних повреждений до того, как его осмотрит специалист. Обратитесь в специализированный сервис.
- Запрещается смешивать и измельчать прибором что-либо кроме пищевых продуктов или жидкостей.
- Будьте осторожны, добавляя в чашу горячую жидкость. Запрещается смешивать в приборе горячее масло или жир. Не измельчайте слишком горячие продукты: они должны остыть как минимум до 80 °С.
- Чаши для измельчения и смешивания не подходят для использования в микроволновой печи.



ВНИМАНИЕ!

Лезвия ножа очень острые: будьте осторожны при опорожнении чаши и очистке прибора.

Не прикасайтесь к ножу, если насадка установлена на корпус прибора. Не чистите нож голыми руками - используйте щетку для очистки.

- Следите, чтобы в область вращения ножа и насадок не попадали одежда, волосы и кухонные принадлежности; берегите пальцы.
- Не оставляйте работающий прибор без присмотра. Если прибор не используется, отключите его от сети.
- Не используйте прибор с неоригинальными принадлежностями.
- Следите, чтобы сетевой шнур прибора не соприкасался с горячими поверхностями и острыми предметами, а также не свисал с края стола или стойки.
- Не разрешайте детям играть с прибором, аксессуарами, коробкой и прочими элементами упаковки во избежание травм или удушья. Дети должны находиться под присмотром для недопущения игр с прибором. Не позволяйте детям использовать блендер без присмотра.

- Прибор не предназначен для использования лицами (включая детей) с пониженными физическими, сенсорными или умственными способностями или при отсутствии у них жизненного опыта или знаний, если они не находятся под присмотром или не проинструктированы об использовании прибора лицом, ответственным за их безопасность.
- Отключая прибор от сети, не тяните за шнур питания. Не наматывайте шнур на корпус прибора. Не переносите прибор за шнур питания.
- Необходимо всегда отключать прибор от питания, если он оставлен без присмотра, и перед сборкой, разборкой, заменой насадок или чисткой.
- Очищайте прибор и принадлежности после каждого использования.
- Храните прибор в темном прохладном месте, недоступном для детей месте. При хранении прибора следите, чтобы шнур питания не спутывался и не заламывался.
- Регулярно проверяйте прибор и шнур питания для выявления механических повреждений и не используйте прибор в случае их обнаружения. Запрещается самостоятельно ремонтировать прибор или вносить изменения в его конструкцию. Ремонт прибора должен производиться исключительно специалистом сервисного центра.
- При повреждении шнура питания его замену во избежание опасности должны производить изготовитель, сервисная служба или подобный квалифицированный персонал.

03 НАЗНАЧЕНИЕ

Блендер предназначен для измельчения и смешивания различных продуктов и жидкостей до однородной массы.

Данный прибор предназначен для работы в бытовых или коммерческих зонах в соответствии с назначением и мерами безопасности, описанными в данной инструкции по эксплуатации.

04 ПОДГОТОВКА К РАБОТЕ

- После хранения и транспортировки в условиях пониженной температуры перед включением рекомендуется выдержать прибор при комнатной температуре в течение двух часов.
- Извлеките прибор из упаковки. Удалите с прибора все защитные пленки, наклейки и другие упаковочные материалы. Убедитесь в том, что комплектация прибора соответствует заявленной производителем, а элементы прибора не повреждены.
- Протрите корпус прибора и крышку измельчителя влажной тканью. Промойте чаши, нож и насадки теплой водой с мягким моющим средством. Подождите, пока они полностью высохнут.
- Размотайте и выпрямите шнур питания.

05 ЭКСПЛУАТАЦИЯ

1. Убедитесь, что прибор отключен от сети, и подсоедините насадку-блендер, венчик или измельчитель к корпусу. Чтобы снять насадку, одновременно нажмите обе кнопки для извлечения насадок.
2. Подготовьте ингредиенты: крупные продукты нарежьте небольшими кусочками, горячие ингредиенты остудите до температуры не более 80 °С. Поместите ингредиенты в подходящую емкость.
3. Опустите насадку в емкость с ингредиентами, нажмите и удерживайте кнопку включения. При использовании измельчителя убедитесь, что крышка измельчителя плотно закрыта.
4. При необходимости регулируйте скорость работы при помощи регулятора скоростей – доступно 6 скоростей. Установленная скорость, а также таймер работы отобразятся на LED-дисплее, расположенном на ручке прибора.
5. Для использования прибора на максимальной скорости нажмите и удерживайте кнопку турборежима.
6. По окончании приготовления отключите прибор от электросети и отсоедините насадку. Очистите прибор в соответствии с разделом «Очистка и уход».
7. Максимальный объем чаши для смешивания – 800 мл, однако во избежание брызг рекомендуется заполнять чашу не более чем на 600 мл.

Примечания:

• **Соблюдайте рекомендации по продолжительности работы прибора: продолжительность непрерывной работы при перемешивании жидких продуктов не должна превышать 3-х циклов продолжительностью в 1 минуту, а при измельчении твердых продуктов – 3 циклов по 15 секунд. По истечении 3-х циклов, прежде чем продолжить работу, нужно сделать перерыв, необходимый для остывания электромотора (не менее 3-4 минут).**

- После подключения к сети прибор перейдет в режим ожидания, на дисплее отобразится скорость по умолчанию – 1. Для выхода из ждущего режима нажмите любую кнопку.

Использование таймера работы

На LED-дисплее прибора отображается отсчет времени работы – следите за временем, чтобы не использовать прибор дольше рекомендованного времени. Таймер автоматически сбрасывается через 10 минут работы.

Чтобы отключить таймер, поверните регулятор скоростей по часовой стрелке и удерживайте в этом положении несколько секунд. При повороте регулятора ранее установленная скорость увеличится на одну единицу – скорость станет прежней, когда вы отпустите регулятор.

Повторите шаг, чтобы снова включить таймер.

Для сброса времени таймера поверните регулятор скоростей против часовой стрелки и удерживайте в этом положении несколько секунд. При повороте регулятора ранее установленная скорость уменьшится на одну единицу – скорость станет прежней, когда вы отпустите регулятор.

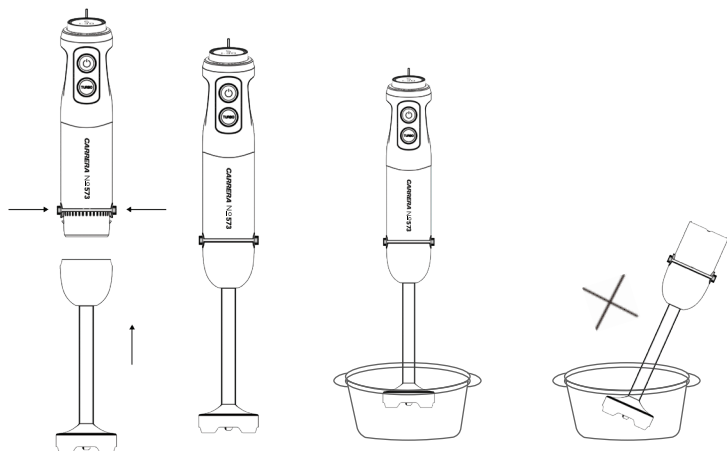
Использование насадки-блендера

Насадка-блендер предназначена для измельчения и смешивания мягких и жидких ингредиентов и приготовления соусов, коктейлей, супов-пюре, смешивания молочных продуктов, фруктовых соков, напитков; используйте блендер также для приготовления, майонеза и детского питания из овощей.

Допускается использование насадки-блендера для колки льда. Во избежание поломки прибора не обрабатывайте слишком твердые продукты, такие как замороженные продукты, крупы, приправы, кофе и т. п. Измельчение и смешивание любых ингредиентов рекомендуется производить с небольшим количеством жидкости.

Установите насадку-блендер в корпус до щелчка. Медленно перемещайте блендер вверх и вниз круговыми движениями. Держите блендер строго вертикально!

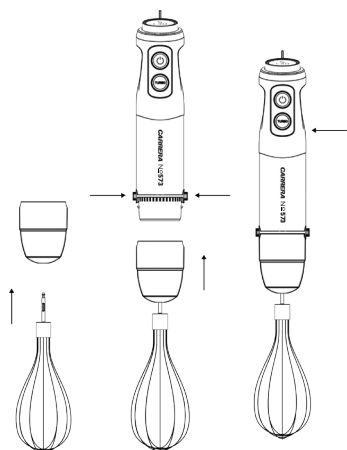
В качестве емкости под ингредиенты допускается использовать чашу для смешивания.



Использование насадки-венчика

Насадка-венчик предназначена для приготовления жидкого теста, взбивания яичных белков, взбитых сливок и т. д.

Вставьте насадку-венчик в держатель и установите держатель в корпус прибора до щелчка. Медленно перемещайте прибор вверх и вниз круговыми движениями. Держите прибор вертикально.



В качестве емкости под ингредиенты рекомендуется использовать чашу для смешивания, идущую в комплекте. При использовании чаши следите за отметкой MAX. Вы можете хранить получившуюся смесь в чаше, закрыв ее идущей в комплекте крышкой.

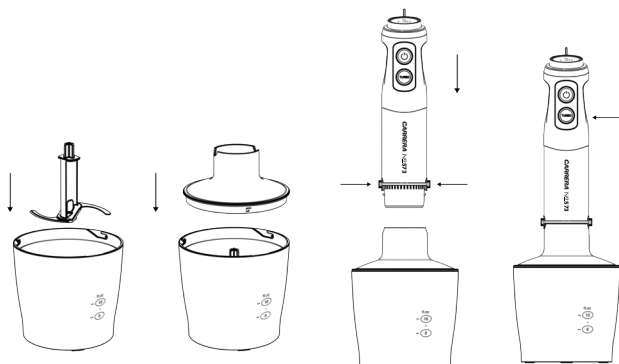
Использование измельчителя

Измельчитель предназначен для измельчения орехов, мяса, сыра, репчатого лука и чеснока, зелени, овощей, фруктов и т. д. Не используйте измельчитель для обработки слишком твердых продуктов - льда, замороженных продуктов, круп, приправ и т. п.

Поместите продукты в чашу измельчителя, следя за отметкой MAX. Не кладите слишком крупные куски. Чаша должна стоять на нескользящей поверхности.

Осторожно снимите с лезвий защитный пластиковый кожух. Будьте осторожны, лезвия ножа очень острые! Установите нож на ось внутри чаши измельчителя и надавите на него сверху.

Закройте чашу измельчителя крышкой и поверните ее по часовой стрелке до щелчка. Убедитесь, что она надежно закрыта. Присоедините корпус прибора к крышке измельчителя и надавите до щелчка.

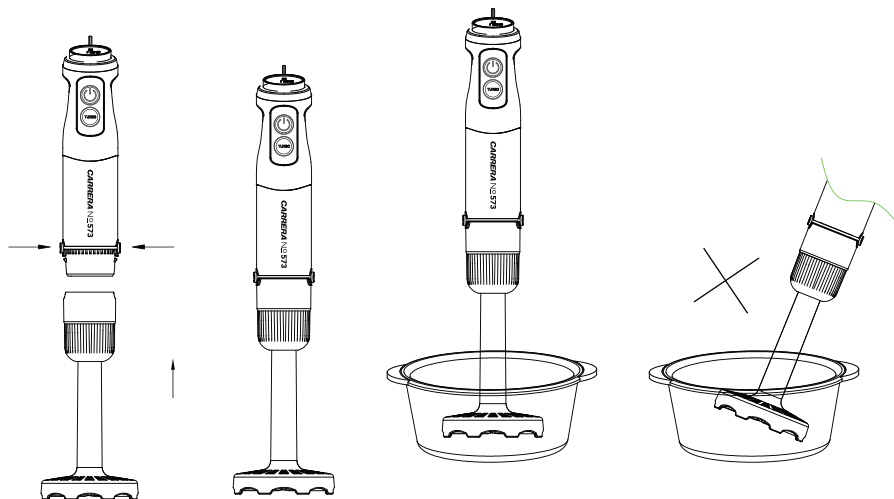


После использования отключите прибор от сети, затем отсоедините от крышки измельчителя корпус. Снимите крышку и осторожно извлеките нож - после этого выложите измельченные продукты.

Использование насадки для картофельного пюре

Насадка предназначена для приготовления однородного пюре из отварного картофеля, а также для измельчения отварных очищенных яиц.

Вставьте насадку в корпус до щелчка. Насадку допускается использовать на скорости I или II. Держите прибор вертикально.



Рекомендации по обработке ингредиентов

| Тип продукта | Максимальное кол-во | Рекомендуемое время обработки |
|-----------------------|---------------------|-------------------------------|
| Мясо | 250 г | 15 сек. |
| Зелень | 50 г | 10 сек. |
| Орехи | 150 г | 15 сек. |
| Сыр | 100 г | 10 сек. |
| Хлеб | 80 г | 10 сек. |
| Репчатый лук | 200 г | 10 сек. |
| Печенье | 150 г | 10 сек. |
| Мягкие фрукты и овощи | 200 г | 10 сек. |

06 ОЧИСТКА И УХОД

Перед очисткой прибора всегда отключайте его от сети и подождите, пока он не остынет. Проводите очистку после каждого использования.



ВНИМАНИЕ!

Режущие лезвия ножей очень остры. Во избежание травмы обращайтесь с ними крайне осторожно!

- Протирайте корпус и крышку измельчителя слегка влажной тканью или губкой, без применения абразивных моющих средств, а также металлических мочалок и щеток. Не погружайте корпус в воду!
- Чашу измельчителя и чашу для смешивания, крышку чаши для смешивания, нож измельчителя, насадку-блендер, насадку-венчик и держатель венчика промойте в теплой воде с добавлением жидкого моющего средства, затем вытрите все детали насухо.
- Допускается мыть все детали, кроме корпуса и крышки измельчителя, в посудомоечной машине с ограниченным количеством моющего средства.

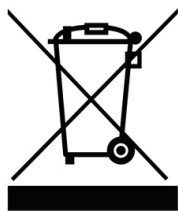
Если прибор использовали для обработки продуктов с красящим соком, перед тем как поместить детали в посудомоечную машину, смажьте их растительным маслом.

- После обработки очень соленых ингредиентов сразу же промойте детали под проточной водой.
- Тщательно высушите все детали и корпус перед тем, как убрать прибор на хранение или перед повторным использованием.

07 ТРАНСПОРТИРОВКА И ХРАНЕНИЕ

- Храните прибор в чистом закрытом сухом помещении при температуре окружающей среды в диапазоне от 5 до 40 °С и относительной влажности не выше 70%.
- Транспортировка прибора проводится всеми видами транспорта, в соответствии с правилами перевозки грузов. При транспортировке в заводской упаковке обеспечьте защиту прибора от повреждений, исключив возможность воздействия атмосферных осадков и агрессивной среды.
- При транспортировке без заводской упаковки рекомендуется использовать воздушно-пузырьковую пленку и тару из гофрированного картона. Рекомендуется качественно обернуть каждый элемент прибора в пленку и расположить в таре вертикально. Свободное расстояние между элементами изделия необходимо проложить воздушно-пузырьковой пленкой или сложенным картоном.

08 УТИЛИЗАЦИЯ



В целях защиты окружающей среды после окончания срока службы прибора и элементов питания не выбрасывайте их вместе с обычными бытовыми отходами. Передайте прибор и элементы питания в специализированные пункты для дальнейшей утилизации.

Для получения дополнительной информации об утилизации данного продукта обратитесь в местную службу утилизации бытовых отходов или в магазин, где вы приобрели данный продукт.

09 УСТРАНЕНИЕ НЕИСПРАВНОСТЕЙ

| Проблема | Возможная причина | Решение |
|---|--|---|
| Прибор не работает. | Розетка, к которой подключен прибор, может быть повреждена. | Убедитесь, что прибор правильно подключен к сети. Проверьте предохранитель в электрической розетке вашего дома. |
| | Напряжение источника питания, к которому подключен прибор, не соответствует напряжению самого прибора. | Убедитесь, что напряжение, указанное на приборе, соответствует напряжению источника питания. |
| | Крышка измельчителя неправильно установлена на чашу. | Установите крышку правильно. |
| Во время работы жидкость выплескивается через край. | Используется слишком много продуктов. | Следите за отметкой MAX на чаше. |
| Лезвия ножа не вращаются. | Нож поврежден. | Обратитесь в авторизованный сервисный центр. |
| Прибор слишком сильно шумит при работе. | Прибор установлен на неровную поверхность. | Установите прибор на подходящую поверхность. |



ВНИМАНИЕ!

Никогда не ремонтируйте прибор самостоятельно. Всегда обращайтесь в авторизованный сервисный центр или специализированную мастерскую.

10 ТЕХНИЧЕСКИЕ ХАРАКТЕРИСТИКИ

- Модель: CRR573
- Номинальная мощность 1000 Вт
- Максимальная мощность двигателя 1500 Вт
- Напряжение: 220-240 В~, 50/60 Гц
- 6 скоростей
- Турборежим

- Корпус из нержавеющей стали
- Класс защиты от поражения электрическим током: II

11 КОМПЛЕКТАЦИЯ

- Блендер
- Насадка-блендер
- Крышка измельчителя
- Нож измельчителя
- Чаша измельчителя
- Держатель насадки-венчика
- Насадка-венчик
- Крышка чаши для смешивания
- Чаша для смешивания
- Насадка для картофельного пюре
- Инструкция по эксплуатации

12 ГАРАНТИЯ

Организация по гарантийному обслуживанию и принятию претензий: ООО «МВМ», Россия, 105066, г. Москва, ул. Нижняя Красносельская, д. 40/12, корпус 20, этаж 5, помещение II, комната 3.

Информация об условиях гарантии:

<https://www.eldorado.ru/spv>

или по телефону Эльдорадо - 8 (800) 250-25-25

<https://www.mvideo.ru/spv>

или по телефону М.Видео - 8 (800) 600-77-75

Гарантия продавца - 12 месяцев с момента продажи (передачи) товара Покупателю.

13 ДОПОЛНИТЕЛЬНАЯ ИНФОРМАЦИЯ

Изготовитель: CARRERA GLOBAL FZCO

Адрес: DSO-IFZA-19795, IFZA Properties, Dubai Silicon Oasis, ОАЭ

Сделано в Китае

Импортер/Уполномоченное изготовителем лицо: «ООО МВМ»,
Россия, 105066, г. Москва, ул. Нижняя Красносельская, д. 40/12,
корпус 20, этаж 5, помещение II, комната 3.

Телефон: +7 (495) 644-28-48

E-mail: cert-log@mvideo.ru

Установленный производителем в соответствии с п. 2 ст. 5 Закона РФ «О защите прав потребителей» срок службы данного изделия равен 3 годам с даты продажи при условии, что изделие используется согласно правилам и рекомендациям, изложенным в настоящей инструкции по эксплуатации, и применяемым техническим стандартам.

Специальные условия реализации не установлены.

Дата изготовления указана (закодирована) на приборе, где 1 и 2-я цифра с начала – месяц изготовления; следующие 4-е цифры – год изготовления.

Товар сертифицирован, соответствует требованиям:

ТР ТС 004/2011 «О безопасности низковольтного оборудования»

ТР ТС 020/2011 «Электромагнитная совместимость технических средств»

ТР ЕАЭС 037/2016 «Об ограничении применения опасных веществ в изделиях электротехники и радиоэлектроники».

Изготовитель оставляет за собой право изменения комплектации, технических характеристик и внешнего вида товара.



