

# CARRERA

DESIGNED IN GERMANY

**EN**  
**HOT AIR STYLER**

Instruction manual

**RU**  
**ФЕН-СТАЙЛЕР**

Инструкция по эксплуатации



# № 388

[www.carrera.de](http://www.carrera.de)

Welcome to the **CARRERA** club!

The story of **CARRERA** starts in the 80' in Germany as a lifestyle across two product categories: personal care and home appliances.

**CARRERA** engineers and designers were inspired by the legendary Carrera Panamericana, the longest and the most challenging race in the 50'. Only the racers who were ready to go beyond the limitations of their own bodies and materials stood a chance of winning.

Today, that same philosophy drives **CARRERA** to develop unique and powerful products.

Each product is made of hi-tech components and quality materials outlining power, quality, innovative features and effective design.

This approach resonated with millions of people, boosting **CARRERA** brand recognition in Europe up to 90 %. **CARRERA** products have become an embodiment of German precision and craftsmanship.

Today, **CARRERA** continues to invest into research and development. Each **CARRERA** product provides users with a sense of luxury, comfort and efficacy.

**CARRERA** is not just about tools. It is about a lifestyle.

# CONTENTS

<b>01 SAFETY PRECAUTIONS</b>	<b>4</b>
<b>02 INTENDED USE</b>	<b>5</b>
<b>03 APPLIANCE OVERVIEW</b>	<b>6</b>
<b>04 DISPLAY</b>	<b>7</b>
<b>05 OPERATION</b>	<b>8</b>
<b>06 CLEANING &amp; MAINTENANCE</b>	<b>9</b>
<b>07 TROUBLESHOOTING</b>	<b>10</b>
<b>08 DISPOSAL</b>	<b>10</b>
<b>09 TRANSPORT AND STORAGE</b>	<b>11</b>
<b>10 SPECIFICATION</b>	<b>11</b>
<b>11 SCOPE OF DELIVERY</b>	<b>11</b>
<b>12 WARRANTY</b>	<b>11</b>
<b>13 ADDITIONAL INFORMATION</b>	<b>11</b>

## 01 SAFETY PRECAUTIONS

---

Please read the safety precautions all carefully before using the appliance for the first time. Keep the instruction manual for future reference or pass it to other users. Always handle the appliance with care and warn other users of the potential danger.

- Before use, make sure that there is no mechanical damage to the appliance. Do not use the appliance if any damage is found.
- Do not use the appliance in outdoor environment. This appliance is designed for household use only.
- Do not place the appliance near sources of water or other liquids, or near heating appliances.
- Do not immerse the appliance in water or any other liquids. Do not touch it with wet hands.
- Keep the appliance away from high temperatures, direct sunlight, moisture and other negative influences.
- For additional protection, the installation of a residual current device (RCD) having a rated residual operating current not exceeding 30 mA is advisable in the electrical circuit supplying the bathroom. Ask your installer for advice.
- Do not turn the appliance on if it was dropped or became wet, even if there is no external damage, until it is inspected by a qualified specialist.
- Use the appliance only for drying and styling human head hair. Do not use it for drying hair of other body parts, for drying artificial hair or any other objects. Do not use appliance for other than intended use.
- When the appliance is used in a bathroom, unplug it after use since the proximity of water presents a hazard even when the appliance is switched off.



### **WARNING!**

**Do not use the appliance near bathtubs, sinks, or other containers or basins filled with water. Do not use the appliance while bathing.**

- The appliance becomes hot during use. Avoid contact of heated surfaces with eyes and skin.
- Never drop or insert any objects into any opening in the appliance. Keep the air openings free of lint and hair.

### **WARNING!**

**The attachments are magnetically attached. Keep the device away from medical devices implanted in the human body such as pacemakers, defibrillators, etc. to avoid negative effects of strong magnetic fields. The device may also affect credit cards and electronic media.**

- When not in use, unplug the hair dryer. Allow it to cool and store in a safe, dry location.

- Never leave the appliance unattended while plugged in.
- This appliance can be used by children and persons with reduced physical, sensory or mental capabilities or lack of experience and knowledge if they have been given supervision or instruction concerning use of the appliance in a safe way and understand the hazards involved.
- Children should not play with the appliance. Cleaning and user maintenance should not be carried out by children without supervision.
- Never use the appliance if it has a damaged cord or plug. If the supply cord is damaged, it must be replaced by the manufacturer, its service agent or similarly qualified persons in order to avoid a hazard.
- Never allow the power supply cord to be pulled, jerked, strained, twisted, or severely bent, especially at the plug connections. Keep the cord away from heated surfaces.
- If appliance is not working properly, bring it to a specialized service center.
- Do not use near eyes, skin or other heat sensitive areas.
- Do not place appliance on any surface while it is operating.
- Discontinue use immediately and unplug if dryer becomes too hot or malfunctions in any way.
- Regularly check the appliance for mechanical damage and do not use the appliance if any is found. It is forbidden to repair the appliance or make changes to its design on your own. Repair of the device must be carried out in a specialist service center only. Do not attempt to open the main body or dismantle any parts from the appliance.

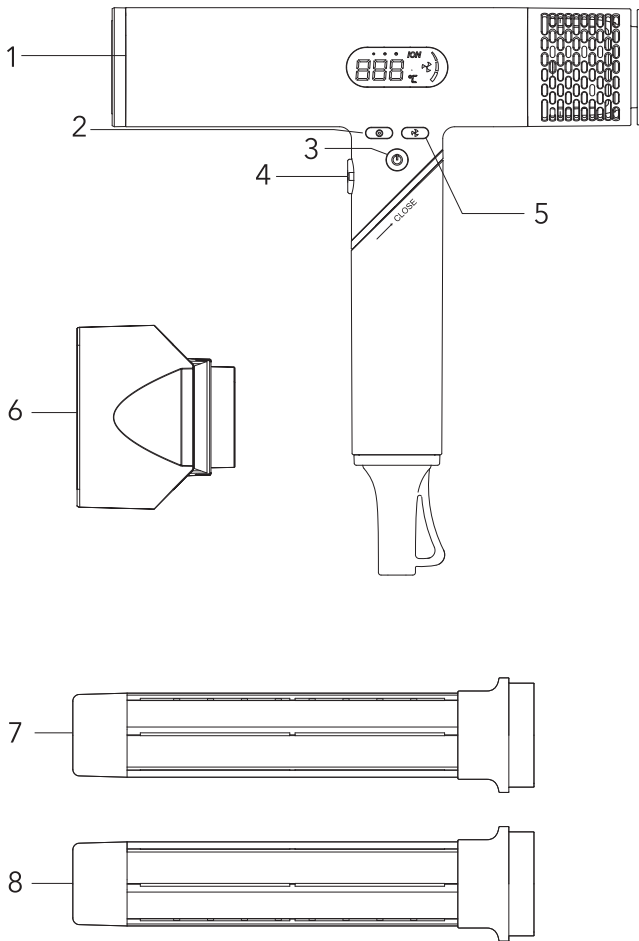
## **02 INTENDED USE**

---

This appliance is designed for drying and styling human hair. This appliance is intended for use in residential, commercial and industrial areas in accordance with the intended use and safety precautions described in this instruction manual.

## 03 APPLIANCE OVERVIEW

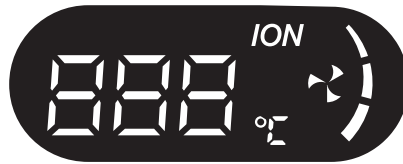
---



1. Air outlet
2. Temperature control button/SPA mode
3. Power button
4. Cold shot button
5. Speed control button/Self-clean button
6. Styling nozzle
7. Left barrel
8. Right barrel

## 04 DISPLAY

---



Indicator	Description
OFF	Stand-by mode indicator
ION	Auto ionization indicator
0000	Temperature setting indicator
↻	Speed indicator
L	SPA function indicator
020	Self-clean indicator
COL	Cold shot indicator

## 05 OPERATION

1. After storage or transportation at low temperatures, keep the appliance in warm room for two hours before turning it on.
2. Remove the appliance from its packaging. Remove all protective films, stickers and other packing materials from the device. Make sure that the appliance is supplied as specified by the manufacturer and that the appliance components are not damaged.
3. If the handle is folded, turn it left to make it straight.
4. Unwind and straighten the power cord and insert the plug into an outlet with the correct voltage. "OFF" indicator will light up on the display.
5. Place the attachment on the nozzle if necessary. The concentrator is equipped with magnets: just bring it close to the air outlet to lock onto the nozzle.
6. To start operation, press the power button (3).
7. Set the speed with button 5. There are 3 settings available.
8. Use the button 2 to set the temperature. A total of 4 temperature settings are available.
9. Press the button 4 for a shot of cold air.

Speed	Temperature	Use
Low speed	Cold air	To dry gently and fix the style
Low speed	60 °C	To dry and style gently brittle, thin and weak hair
Medium speed	90 °C	To dry and style hair of medium thickness
High speed	120 °C	To dry quickly thick unruly hair

### **WARNING!**

- **It is recommended to use low temperature mode during first use of the appliance.**
- **If the appliance stops working for any reason, turn it off immediately and allow it to cool.**

### **Using barrels with the Coanda effect**

Due to Coanda effect, you can style and dry your hair. Strands of hair are pulled to the surface of the barrel with powerful air flow, twisting into perfect curls. For convenience, fold the handle, turning it to the right and up.

**WARNING! The curling nozzles heat up to 120°C. Use the protective glove included. It is recommended that your hair be completely dry before using the curling nozzles**

### **Cold air mode**

The cold air mode allows you to gently dry your hair at room temperature – this way your hair will not lose moisture and will be smoother and silkier. It is also recommended to blow cold air on your hair at the end of your styling, in this case, your hair will last much longer.

To turn on the cold air supply, press button 4. “COL” indicator will appear on the display.

### **SPA function**

The hair dryer’s special feature is the beauty function, which increases the effect of face masks several times. Thanks to the soft, pleasant air flow with negative ions, skin care products are better absorbed into the skin. To activate the function, press and hold the temperature control button (2) for 5 seconds. “L” indicator will appear on the display. Press the temperature control button to exit the mode.

### **Ionization**

Negatively charged ions help maintain water balance, especially in dry and dehydrated colored hair. Also, ionization speeds up drying, curls are less damaged by hot air and look healthy, nourished and shiny. The ionization function is activated automatically.

### **Compact storage**

Take the handle and turn it counterclockwise to the right and up until it clicks.

## **06 CLEANING & MAINTENANCE**

---

Always switch the appliance off before cleaning it and let it cool.

- Use a damp cloth to clean the housing.
- Take the nozzle off and clean it with a clean dry cloth. Fully dry the nozzle before using the appliance again.
- Keep the appliance in a cool, dry place out of children’s reach.

### **CAUTION!**

- **Never immerse the appliance and the nozzles in water.**
- **Do not use any corrosive or abrasive cleaning agents. This might damage the surface of the appliance.**

## Cleaning the filter on the handle

For better and longer results, clean regularly the filter that protects the internal components from dust, hair and care products.

- Before cleaning the filter, turn the appliance off and allow it to cool down.
- Turn the outer filter cover to the left and take it off.
- Press and hold the speed button for 5 seconds. Indicator will appear on the display. Auto cleaning will last for 20 seconds.
- Clean the filter with a brush if necessary.
- Place the outer cover on the filter and turn to the right.

## 07 TROUBLESHOOTING

Problem	Possible cause	Solution
The appliance does not work.	The outlet the appliance is connected to may be damaged.	Make sure the appliance is properly connected to the mains. Check the fuse in your home's electrical outlet.
	The voltage of the power supply the appliance is connected to does not match the voltage of the appliance.	Make sure that the voltage indicated on the appliance matches the voltage of the power supply.
Smell when drying hair/ burning smell when styling.	There is some dust or lubricant residue left in the appliance, which causes an unpleasant odor due to the high temperature.	Switch the appliance off and wait until it cools down. Clean the appliance carefully.
The hair dryer only blows cold air.	The overheat protection has been activated.	Wait until the hair dryer cools down.

### WARNING!

**Never repair the appliance yourself, contact an authorized service center or a qualified specialist.**

## 08 DISPOSAL

---



To protect the environment, do not dispose of appliance with household waste. Bring the appliance to specialized points for further disposal. For more information on the disposal of this product, contact your local authority, your household waste disposal service, or the retailer.

## 09 TRANSPORT AND STORAGE

---

- Store the appliance in a clean, closed, dry room at an ambient temperature between 5 and 40 °C and a relative humidity of no more than 70 %.
- Transportation of the device can be carried out by all means of transport, in accordance with the rules for the carriage of goods. When transporting in the original packaging, protect the appliance from damage, preventing the exposure to precipitation and aggressive environments.
- When transporting the appliance without original packaging, use bubble wrap and corrugated cardboard packaging. Wrap each element of the appliance in a film and place it vertically in the container. The free distance between the elements of the product must be laid with air bubble wrap or folded cardboard.

## 10 SPECIFICATION

---

- Model: CRP388
- Power: 1400-1600 W
- Voltage: 220-240 V, 50/60 Hz
- Protection class: II

## 11 SCOPE OF DELIVERY

---

- Hot air styler
- Concentrator nozzle
- Barrels - 2 pcs
- Instruction manual
- Protection glove

## **12 WARRANTY**

---

Organization for warranty service and acceptance of claims: LLC "MVM", Russia, 143001, Russia Moscow Region, Odintsovsky City, Novoivanovskoye Utility, Zapadnaya St., Building 180  
Phone: +7 (495) 644-28-48

Information about the warranty conditions:

<https://www.eldorado.ru/spv> or by phone Eldorado - 8 (800) 250 25 25

<https://www.mvideo.ru/spv> or by phone M.Video - 8 (800) 600 77 75

The seller's warranty is 12 months from the date of sale (transfer) of the goods to the Customer.

## **13 ADDITIONAL INFORMATION**

---

Manufacturer: Wenzhou Lena Electric Products Co., Ltd

Address: Unit 12C, Zhongtong Mansion, NO. 311 Xincheng Ave., Lucheng District, Wenzhou 325000, Zhejiang, Китай

Made in China

Importer/Manufacturer's authorized company: LLC "MVM", Russia, 143001, Russia Moscow Region, Odintsovsky City, Novoivanovskoye Utility, Zapadnaya St., Building 180

E-mail: [cert-log@mvideo.ru](mailto:cert-log@mvideo.ru)

Phone: +7 (495) 644-28-48

Installed by the manufacturer in accordance with paragraph 2 of article 5 of the Law of the Russian Federation «On Consumer Protection» the service life of this product is 3 years from the date of sale, provided that the product is used in accordance with the rules and recommendations set forth in these instruction manual and applicable technical standards.

There are no special conditions for the sale.

The date of manufacture is indicated (coded) on the device, where the 1st and 2nd digits from the beginning are the month of manufacture; the next 4 digits are the year of manufacture.

The product is certified, meets the requirements:

TR TS 004/2011 «On the safety of low-voltage equipment»,

TR TS 020/2011 «Electromagnetic compatibility of technical means»

TR EAEU 037/2016 «On the restriction of the use of hazardous substances in products of electrical engineering and radio electronics».



Добро пожаловать в клуб **CARRERA!**

История бренда начинается в 1980-е гг. в Германии, когда дизайнеры разработали первые линейки техники для дома и для ухода за собой.

Инженеры и дизайнеры **CARRERA** вдохновлялись легендарной Carrera Panamericana – самой долгой и опасной гонкой 1950-х. На победу в гонке могли рассчитывать лишь те, кто выкладывался до конца и был готов выйти за пределы возможностей человека и техники.

Эта философия и легла в основу всех продуктов **CARRERA**.

Для каждого устройства используются Hi-Tech компоненты и высококачественные материалы. Акцент делается на мощность, качество, инновационность и функциональный дизайн.

Такой подход нашел отклик в сердцах миллионов покупателей: в настоящий момент узнаваемость бренда в Европе достигла 90 %, а продукты **CARRERA** стали признанным воплощением немецкой точности и мастерства.

Сегодня **CARRERA** продолжает инвестировать в научные исследования и развитие. В каждом созданном продукте сочетается комфорт, производительность и роскошь.

**CARRERA** – это не просто техника. Это стиль жизни.

# СОДЕРЖАНИЕ

<b>01 МЕРЫ БЕЗОПАСНОСТИ</b>	<b>16</b>
<b>02 НАЗНАЧЕНИЕ</b>	<b>17</b>
<b>03 СХЕМА ПРИБОРА</b>	<b>18</b>
<b>04 ДИСПЛЕЙ</b>	<b>19</b>
<b>05 ЭКСПЛУАТАЦИЯ</b>	<b>19</b>
<b>06 ОЧИСТКА И УХОД</b>	<b>21</b>
<b>07 УСТРАНЕНИЕ НЕИСПРАВНОСТЕЙ</b>	<b>22</b>
<b>08 УТИЛИЗАЦИЯ</b>	<b>23</b>
<b>09 ТРАНСПОРТИРОВКА И ХРАНЕНИЕ</b>	<b>23</b>
<b>10 ТЕХНИЧЕСКИЕ ХАРАКТЕРИСТИКИ</b>	<b>23</b>
<b>11 КОМПЛЕКТАЦИЯ</b>	<b>23</b>
<b>12 ГАРАНТИЯ</b>	<b>24</b>
<b>13 ДОПОЛНИТЕЛЬНАЯ ИНФОРМАЦИЯ</b>	<b>24</b>

## 01 МЕРЫ БЕЗОПАСНОСТИ

---

Перед первым использованием прибора внимательно прочтите меры безопасности. Сохраните инструкцию для дальнейшего использования и при необходимости передайте ее другим пользователям. Обращайтесь с прибором осторожно и предупреждайте других пользователей о потенциальной опасности.

- Перед началом использования осмотрите прибор и убедитесь в отсутствии механических повреждений. Не используйте прибор в случае их обнаружения.
- Не используйте прибор на открытом воздухе.
- Не используйте прибор в местах, где есть легковоспламеняющиеся жидкости.
- Не размещайте прибор вблизи источников воды и других жидкостей, а также рядом с нагревательными или отопительными приборами.
- Не погружайте прибор в воду или другие жидкости и не прикасайтесь к нему влажными руками.
- Следите, чтобы прибор не подвергался воздействию высоких температур, высокой влажности, прямых солнечных лучей и т. д.
- Для дополнительной защиты целесообразно в цепь электропитания в ванной комнате установить устройство защитного отключения (УЗО) с номинальным током срабатывания, не превышающим 30 мА. Следует обратиться за советом к квалифицированному специалисту.
- Не включайте прибор, если он упал или намок, даже при отсутствии внешних повреждений до того, как его осмотрит специалист. Обратитесь в специализированный сервис.
- Используйте прибор только для сушки и укладки волос головы. Не используйте прибор для сушки и укладки искусственных волос. Не используйте прибор не по назначению.
- При использовании прибора в ванной комнате необходимо отключать его от сети сразу после использования, так как близость воды представляет опасность, даже когда прибор выключен.



### **ВНИМАНИЕ!**

**Не использовать прибор вблизи воды в ванных комнатах, душевых, бассейнах и т. д.**

- Во время использования прибор нагревается. Не допускайте соприкосновения нагретых поверхностей с глазами и кожей и не кладите работающий прибор на любые поверхности.
- Не вставляйте никакие предметы в отверстия прибора. Не допускайте, чтобы в отверстия выпуска и забора воздуха попадали ворсинки, волосы и т. д.
- Если прибор не используется, отключайте его от сети.

## **ВНИМАНИЕ!**

**Насадки крепятся на магнит. Держите прибор вдали от медицинских приборов, имплантированных в тело человека, таких как кардиостимуляторы, дефибрилляторы и др. во избежание негативного воздействия сильных магнитных полей. Прибор также может повлиять на кредитные карты и электронные носители информации.**

- Не тяните за шнур питания, чтобы выключить прибор. Отключая прибор от сети, беритесь за вилку, не тяните за шнур. Не рекомендуется использовать удлинители. Следите, чтобы кабель не спутывался и не заламывался.
- Не наносите на детали прибора смазочные вещества, чистящие и полировочные средства.
- Немедленно остановите использование прибора и отключите его от сети, если он слишком сильно нагрелся или при появлении любой другой неисправности.
- Прибор не предназначен для использования лицами (включая детей) с пониженными физическими, сенсорными или умственными способностями, или при отсутствии у них жизненного опыта или знаний, если они не находятся под присмотром или не проинструктированы об использовании прибора лицом, ответственным за их безопасность.
- Данный прибор не является игрушкой. Будьте особенно внимательны, используя прибор рядом с детьми. Эксплуатация прибора детьми возможна только под присмотром взрослых. Дети должны находиться под присмотром для недопущения игр с прибором. Не разрешайте детям играть с упаковочными материалами.
- Не разбирайте прибор самостоятельно. Неправильная разборка может привести к пожару или поражению электрическим током.
- Регулярно проверяйте прибор и шнур питания для выявления механических повреждений и не используйте прибор в случае их обнаружения. Запрещается самостоятельно ремонтировать прибор или вносить изменения в его конструкцию. Ремонт прибора должен производиться исключительно специалистом сервисного центра. При повреждении шнура питания его замену во избежание опасности должны производить изготовитель, сервисная служба или подобный квалифицированный персонал.

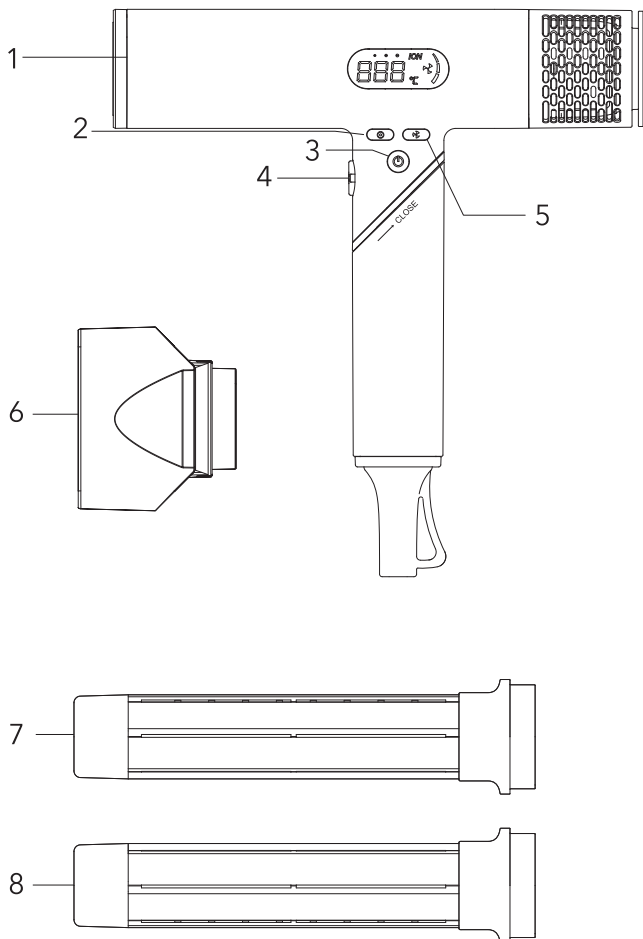
## **02 НАЗНАЧЕНИЕ**

---

Прибор предназначен для сушки и укладки натуральных человеческих волос.

Данный прибор предназначен для работы в жилых, коммерческих и производственных зонах в соответствии с назначением и мерами безопасности, описанными в данной инструкции по эксплуатации.

## 03 СХЕМА ПРИБОРА



1. Сопло
2. Кнопка регулировки температуры/SPA-режима
3. Кнопка включения
4. Кнопка холодного воздуха
5. Кнопка переключения скоростей/автоочистки
6. Насадка-концентратор
7. Насадка-стайлер для закрутки влево
8. Насадка-стайлер для закрутки вправо

## 04 ДИСПЛЕЙ

---



Индикатор	Описание
OFF	Индикатор ждущего режима
ION	Индикатор автоматической ионизации
8888	Индикатор установленной температуры
↻	Индикатор скорости
L	Индикатор SPA-функции
020	Индикатор самоочистки
COL	Индикатор функции холодного воздуха

## 05 ЭКСПЛУАТАЦИЯ

---

1. После хранения или транспортировки в условиях пониженной температуры перед включением рекомендуется выдержать прибор в тепле в течение двух часов.
2. Извлеките прибор из упаковки. Удалите с прибора все защитные пленки, наклейки и другие упаковочные материалы. Убедитесь в том, что комплектация прибора соответствует заявленной производителем, а элементы прибора не повреждены.
3. Если ручка фена сложена, поверните ее влево, чтобы выпрямить.
4. Размотайте и выпрямите шнур питания и вставьте вилку в розетку с соответствующим напряжением питания. На дисплее загорится индикатор OFF.

5. При необходимости установите насадку. Насадка-концентратор оснащена магнитным держателем – достаточно поднести ее к воздуховыпускному отверстию, чтобы она зафиксировалась на сопле.
6. Для начала работы нажмите кнопку включения (3).
7. Кнопкой переключения скоростей (5) установите нужную скорость. Всего доступно 3 скорости.
8. Кнопкой переключения температуры (2) установите нужную температуру. Всего доступно 4 температурных режима.
9. Для включения холодного воздуха в любом режиме нажмите кнопку 4.

### Рекомендуемые режимы работы

Скорость потока воздуха	Температура сушки	Применение
Низкая скорость	Холодный воздух	Для мягкой сушки и укладки волос, а также для закрепления укладки
Низкая скорость	60 °С	Для мягкой сушки и укладки волос. Подходит для ломких, тонких и ослабленных волос
Средняя скорость	90 °С	Для сушки объемных волос средней толщины
Высокая скорость	120 °С	Для быстрой сушки густых и непослушных волос

### ВНИМАНИЕ!

- При первом использовании рекомендуется использовать прибор в режиме низкой температуры.
- Если прибор по какой-либо причине перестанет работать, немедленно выключите его и дайте ему остыть.

### Использование насадок-стайлеров с эффектом Коанда

Благодаря эффекту Коанда удастся быстро сделать укладку, высушить волосы. Пряди волос под действием мощного воздушного потока притягиваются к поверхности стайлера, закручиваясь в идеальные кудри.

Для удобства рекомендуется сложить ручку, повернув ее право и вверх.

**ВНИМАНИЕ! Насадки нагреваются до 120 °С. Используйте защитную перчатку, входящую в комплект. Перед использованием насадок для завивки рекомендуется полностью высушить волосы.**

## **Режим холодного воздуха**

Режим холодного воздуха позволяет бережно высушить волосы при комнатной температуре – так они не потеряют влагу и будут более гладкими и шелковистыми. Также рекомендуется обдавать холодным воздухом волосы в конце укладки – в этом случае она продержится гораздо дольше.

Для включения подачи холодного воздуха нажмите кнопку 4. На дисплее появится индикатор COL.

## **SPA-функция**

Особенность фена – SPA-функция, которая в несколько раз увеличивает эффект от масок для лица. Благодаря мягкому приятному потоку воздуха с отрицательными ионами уходовые средства лучше впитываются в кожу.

Для активации функции нажмите и в течение 5 секунд удерживайте кнопку регулировки температуры. На дисплее появится индикатор L. Чтобы выйти из режима, нажмите кнопку регулировки температуры.

## **Ионизация**

Отрицательно заряженные ионы способствуют сохранению водного баланса, особенно у сухих и обезвоженных окрашенных волос. Также благодаря ионизации ускоряется сушка – локоны меньше травмируются горячим воздухом и в результате выглядят здоровыми, напитанными, блестящими. При включении прибора функция ионизации активируется автоматически.

## **Компактное хранение**

Возьмите ручку и поверните против часовой стрелки вправо и вверх до щелчка.

## **06 ОЧИСТКА И УХОД**

---

Регулярно очищайте прибор и насадки от накопившихся пыли и волос – так он прослужит вам дольше.

- Перед чисткой прибора обязательно отключите прибор от сети и дайте ему остыть.
- Протрите корпус чистой влажной тканью и вытрите насухо.
- Отсоедините насадку и протрите их мягкой тканью с использованием мягкого моющего средства.
- Храните прибор в темном прохладном месте, недоступном для детей. Рекомендуется хранить прибор и насадки в кейсе, входящем в комплект.

## **ВНИМАНИЕ!**

**Не погружайте прибор и насадки в воду!**

**Не используйте для очистки прибора агрессивные или едкие чистящие средства.**

## Очистка фильтра на ручке

Для получения максимально результата на протяжении длительного времени необходимо регулярно очищать фильтр, который защищает внутренние компоненты от пыли, волос и средств по уходу за ними.

- Перед очисткой фильтра выключите прибор и дайте ему остыть.
- Поверните внешний кожух фильтра влево и снимите его.
- Удерживайте кнопку выбора скорости в течение 5 секунд. На дисплее появится индикатор . Автоочистка будет длиться 20 секунд.
- При необходимости очистите фильтр от остатков пыли с помощью щеточки.
- Установите внешний кожух на фильтр и поверните вправо до фиксации.

## 07 УСТРАНЕНИЕ НЕИСПРАВНОСТЕЙ

Проблема	Возможная причина	Решение
Прибор не работает.	Розетка, к которой подключен прибор, может быть повреждена.	Убедитесь, что прибор правильно подключен к сети. Проверьте предохранитель в электрической розетке вашего дома.
	Напряжение источника питания, к которому подключен прибор, не соответствует напряжению самого прибора.	Убедитесь, что напряжение, указанное на приборе, соответствует напряжению источника питания.
Запах при первом использовании.	Запах может исходить от нового продукта.	Запах постепенно исчезнет после нескольких применений. Используйте прибор в хорошо проветриваемом помещении.
Фен выдувает только холодный воздух.	Сработала защита от перегрева.	Подождите, пока фен остынет.

### ВНИМАНИЕ!

**Никогда не ремонтируйте прибор самостоятельно. Всегда обращайтесь в авторизованный сервисный центр или специализированную мастерскую.**

## 08 УТИЛИЗАЦИЯ

---



В целях защиты окружающей среды после окончания срока службы прибора не выбрасывайте его вместе с обычными бытовыми отходами. Передайте прибор в специализированный пункт для дальнейшей утилизации. Для получения дополнительной информации об утилизации данного продукта, обратитесь в местную службу утилизации бытовых отходов или в магазин, где вы приобрели данный продукт.

## 09 ТРАНСПОРТИРОВКА И ХРАНЕНИЕ

---

- Храните прибор в чистом закрытом сухом помещении при температуре окружающей среды в диапазоне от 5 до 40 °С и относительной влажности не выше 70 %.
- Транспортировка прибора проводится всеми видами транспорта в соответствии с правилами перевозки грузов. При транспортировке в заводской упаковке обеспечьте защиту прибора от повреждений, исключив возможность воздействия атмосферных осадков и агрессивной среды.
- При транспортировке без заводской упаковки рекомендуется использовать воздушно-пузырьковую пленку и тару из гофрированного картона. Рекомендуется качественно обернуть каждый элемент прибора в пленку и расположить в таре вертикально. Свободное расстояние между элементами изделия необходимо проложить воздушно-пузырьковой пленкой или сложенным картоном.

## 10 ТЕХНИЧЕСКИЕ ХАРАКТЕРИСТИКИ

---

- Модель: CRP388
- Мощность: 1400-1600 Вт
- Напряжение: 220-240 В, 50/60 Гц
- Класс защиты от поражения электрическим током: II

## 11 КОМПЛЕКТАЦИЯ

---

- Фен-стайлер
- Насадка-концентратор
- Насадки-стайлеры – 2 шт.
- Инструкция по эксплуатации
- Защитная перчатка

## **12 ГАРАНТИЯ**

---

Организация по гарантийному обслуживанию и принятию претензий:  
ООО «МВМ», Россия, 143001, Московская область, г.о. Одинцовский, пгт. Новоивановское, ул. Западная, стр. 180

Информация об условиях гарантии:

<https://www.eldorado.ru/spv>

или по телефону Эльдorado – 8 (800) 250-25-25

<https://www.mvideo.ru/spv>

или по телефону М.Видео – 8 (800) 600-77-75

Гарантия продавца – 12 месяцев с момента продажи (передачи) товара Покупателю.

## **13 ДОПОЛНИТЕЛЬНАЯ ИНФОРМАЦИЯ**

---

Изготовитель: Wenzhou Lena Electric Products Co., Ltd

Адрес: Unit 12C, Zhongtong Mansion, NO. 311 Xincheng Ave., Lucheng District, Wenzhou 325000, Zhejiang, Китай

Сделано в Китае

Импортер/Уполномоченное изготовителем лицо: ООО «МВМ», Россия, 143001, Московская область, г.о. Одинцовский, пгт. Новоивановское, ул. Западная, стр. 180

Телефон: +7 (495) 644-28-48

E-mail: [cert-log@mvideo.ru](mailto:cert-log@mvideo.ru)

Установленный производителем в соответствии с п. 2 ст. 5 Закона РФ «О защите прав потребителей» срок службы данного изделия равен 3 годам с даты продажи при условии, что изделие используется согласно правилам и рекомендациям, изложенным в настоящей инструкции по эксплуатации, и применяемым техническим стандартам.

Специальные условия реализации не установлены.

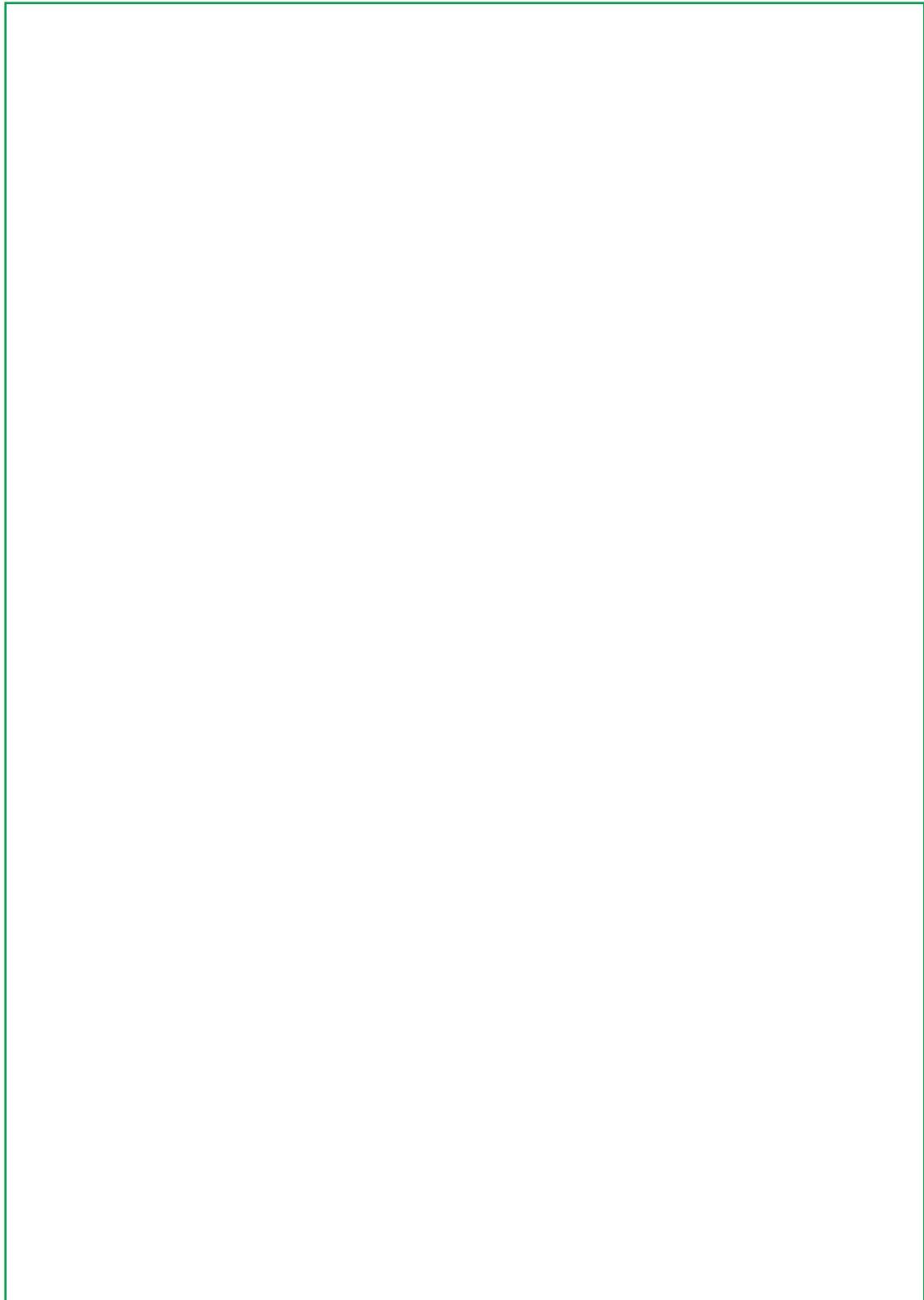
Дата изготовления закодирована в серийном номере на приборе, где 1 и 2-я цифра с начала – месяц изготовления; следующие 4-е цифры – год изготовления.

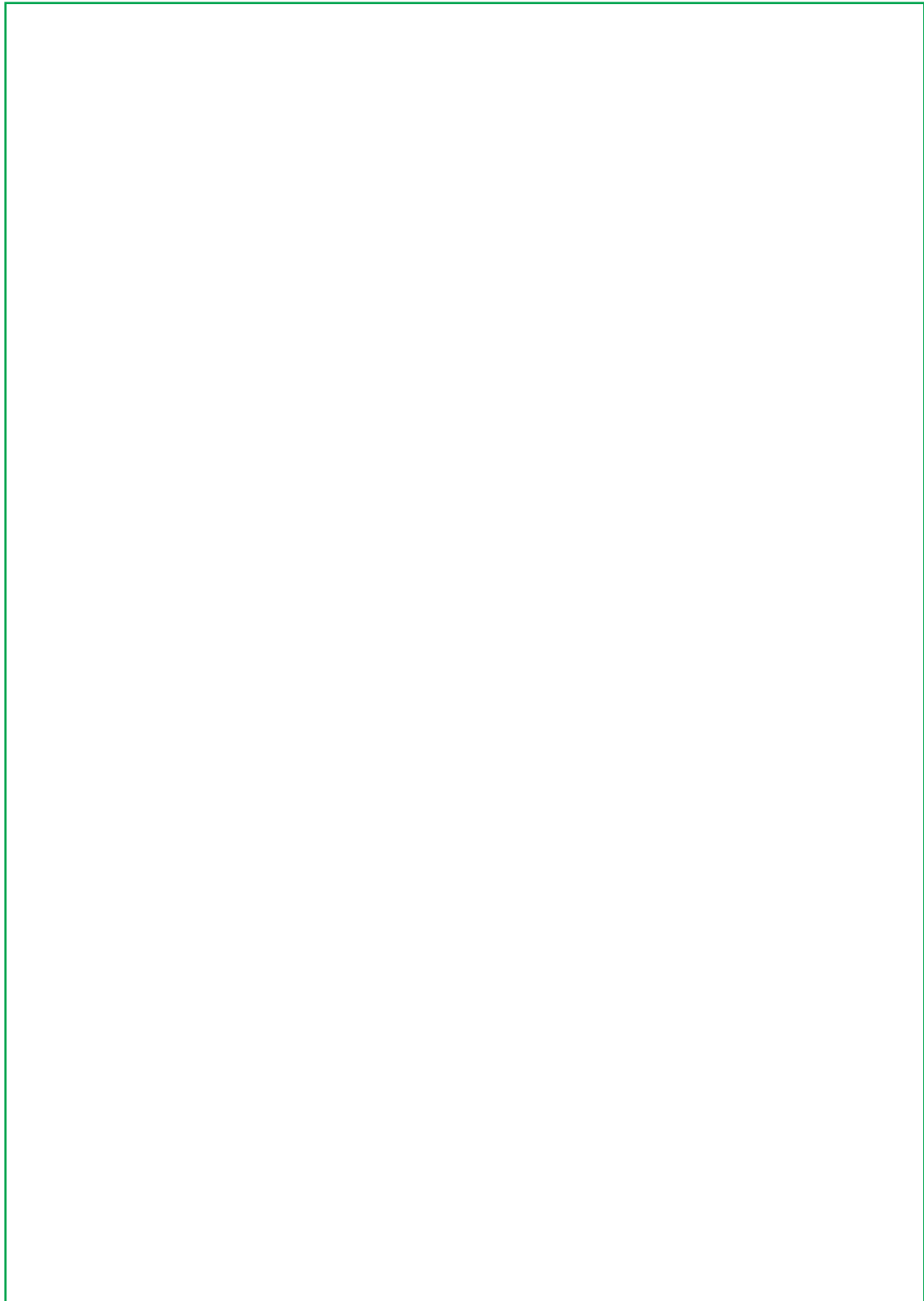
Товар сертифицирован, соответствует требованиям:

ТР ТС 004/2011 «О безопасности низковольтного оборудования»  
ТР ТС 020/2011 «Электромагнитная совместимость технических средств»  
ТР ЕАЭС 037/2016 «Об ограничении применения опасных веществ в изделиях электротехники и радиоэлектроники».

Изготовитель оставляет за собой право изменения комплектации, технических характеристик и внешнего вида товара.







***CARRERA***

DESIGNED IN GERMANY

[www.carrera.de](http://www.carrera.de)