



MASTERWATT  
MAKER  
1200/1500

# 1

MPZ-C001-AFBAT	1200W Active PFC Power Supply
MPZ-F001-AFBAT	1500W Active PFC Power Supply

# 2

Type	Intel ATX 12V v2.4
Input Voltage	100-240V
Input Frequency	60-50Hz
Fan	135mm Silencio FP Fan
Power Good Signal	100~500ms
Hold Up Time	16ms
Efficiency	94% Typically
MTBF	100,000Hours
Protection	OCP / OPP / OVP / OTP / SCP / UVP
Dimension	150 × 200 × 86mm ( 5.9 × 7.9 × 3.4 inch )
Operation Temperature	+10°C to +50°C ( Nominal Input Voltage )
Regulatory	TUV / CE / BSMI / FCC / cTUV-RHus / KC / CCC / EAC / RCM

MPZ-C001-AFBAT

AC Input	100-240V~ 12-6A 60-50Hz					
DC Output	+3.3V	+5V	+12V 1	+12V 2	-12V 2	+5Vsb
	25A	25A	50A	50A	0.3A	3.5A
Total Power	130W		1200W		3.6W	17.5W
	1200W					

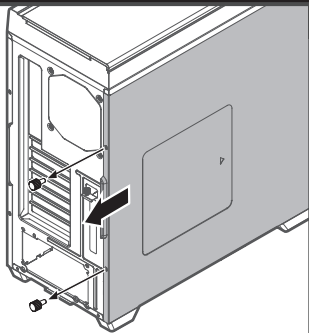
MPZ-F001-AFBAT

AC Input	100-240V~ 15-7.5A 60-50Hz					
DC Output	+3.3V	+5V	+12V 1	+12V 2	-12V	+5Vsb
	25A	25A	62.5A	62.5A	0.3A	3.5A
Total Power	130W		1500W		3.6W	17.5W
	1500W					

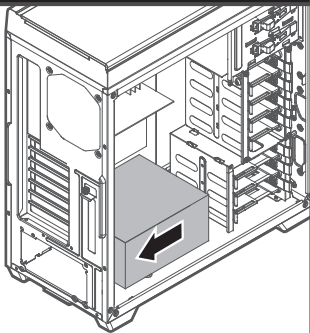
EN	1. Model Description / 2. Specifications
FR	1. Description du modèle / 2. Spécifications
IT	1. Descrizione modello / 2. Specifiche
PT	1. Descrição do modelo / 2. Especificações
NL	1. Beschrijving model / 2. Specificaties
DE	1. Modellbezeichnung / 2. Spezifikationen
ES	1. Descripción del modelo / 2. Especificaciones
RU	1. Описание модели / 2. Технические характеристики
HU	1. Modell ismertetése / 2. Műszaki adatok
PL	1. Opis modelu / 2. Specyfikacje
SR	1. Opis modela / 2. Specifikacije
TR	1. Model açıklaması / 2. Teknik özellikler
CT	1. 機種型號 / 2. 規格
CS	1. 机种型号 / 2. 规格
JP	1. モデルの詳細 / 2. 仕様

# 3

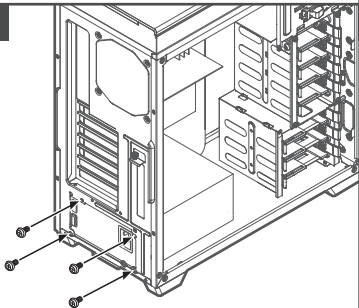
1



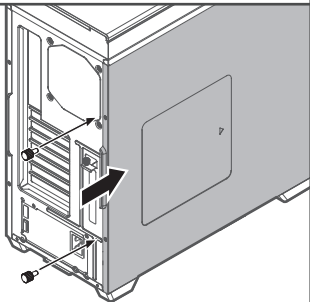
2



3

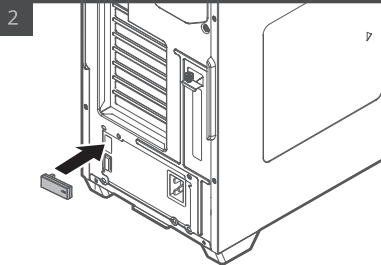
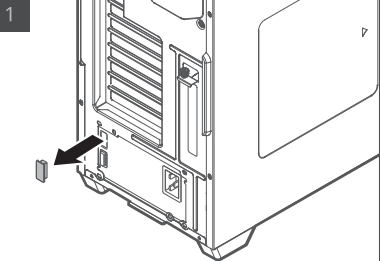


4

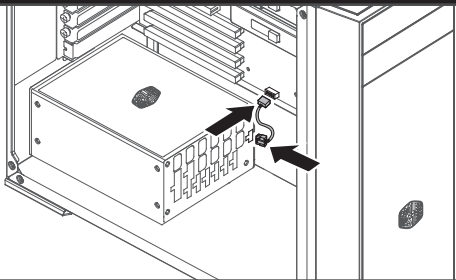


EN	3. How to install power supply
FR	3. Comment installer l'alimentation électrique
IT	3. Come installare l'alimentatore
PT	3. Como instalar a fonte de alimentação
NL	3. De voeding installeren
DE	3. Anleitung zur Installation des Netzteils
ES	3. Cómo instalar la fuente de alimentación
RU	3. Установка блока питания
HU	3. A tápforrás telepítésének módja
PL	3. Jak zainstalować zasilacz
SR	3. Kako da instalirate izvor napajanja
TR	3. Güç kaynağı nı takma yöntemi
CT	3. 如何安裝電源
CS	3. 如何安裝电源
JP	3. 電源の設置方法

# 4



# 5



- EN 4. How to connect Bluetooth dongle(Masterwatt maker 1200/1500w only)  
5. How to connect digital cable(Masterwatt maker 1200/1500w only)
- FR 4. Comment connecter la clé Bluetooth (Masterwatt maker 1200/1500w uniquement)  
5. Comment connecter le câble numérique (Masterwatt maker 1200/1500w uniquement)
- IT 4. Come collegare il dongle Bluetooth (solo Masterwatt maker 1200/1500w)  
5. Come collegare il cavo digitale (solo Masterwatt maker 1200/1500w)
- PT 4. Como ligar o adaptador Bluetooth (apenas Masterwatt maker 1200/1500w)  
5. Como ligar o cabo digital (apenas Masterwatt maker 1200/1500w)
- NL 4. De Bluetooth-dongle aansluiten (alleen Masterwatt maker 1200/1500w)  
5. De digitale kabel aansluiten (alleen Masterwatt maker 1200/1500w)
- DE 4. Anleitung zum Anschluss des Bluetooth-Dongles (nur Masterwatt maker 1200/1500w)  
5. Anleitung zum Anschluss des Digitalkabels (nur Masterwatt maker 1200/1500w)
- ES 4. Cómo conectar una llave Bluetooth (Masterwatt Maker, solo 1200/1500W)  
5. Cómo conectar un cable digital (Masterwatt Maker, solo 1200/1500W)
- RU 4. Подключение Bluetooth-адаптера (только для модели Masterwatt maker 1200/1500 Вт)  
5. Подключение цифрового кабеля (только для модели Masterwatt maker 1200/1500 Вт)
- HU 4. A Bluetooth kulcs csatlakoztatásának módja (csak a Masterwatt Pro 1200/1500 W esetén)  
5. A Bluetooth kulcs csatlakoztatásának módja (csak a Masterwatt Pro 1200/1500 W esetén)
- PL 4. Jak podłączyć klucz Bluetooth (Wyłącznie Masterwatt maker 1200/1500w)  
5. Jak podłączyć klucz Bluetooth (Wyłącznie Masterwatt maker 1200/1500w)
- SR 4. Način povezivanja Bluetooth adaptera (samo za Masterwatt maker 1200 W /1500 W)  
5. Način povezivanja digitalnog kabla (samo za Masterwatt maker 1200 W /1500 W)
- TR 4. Bluetooth yardı mcı aygıtın bađlama yöntemı (yalnızca Masterwatt maker 1200/1500 w)  
5. Dijital kablo bađlama yöntemı (yalnızca Masterwatt maker 1200/1500 W)
- CT 4. 藍芽裝置安裝說明 / 5. 數位連接線安裝說明 (Masterwatt maker 1200/1500W 專用)
- CS 4. 藍牙裝置安裝說明 / 5. 數位連接線安裝說明 (Masterwatt maker 1200/1500W專用)
- JP 4. bluetooth ドングルの接続方法 (Masterwatt maker 1200/1500w のみ)  
5. デジタルケーブルの接続方法 (Masterwatt maker 1200/1500w のみ)

## 6.1 Montherboard 24 Pin Connector

Pin1 Pin13



Pin	Description
1	+3.3V
2	+3.3V
3	COM
4	+5V
5	COM
6	+5V
7	COM
8	P.G.
9	+5V <sub>sb</sub>
10	+12V
11	+12V
12	+3.3V

Pin	Description
13	+3.3V
	+3.3V <sub>s</sub>
14	-12V
15	COM
16	PS-ON
17	COM
18	COM
19	COM
20	-----
21	+5V
22	+5V
23	+5V
24	COM

## 6.2 CPU 4+4Pin

Pin1 Pin5



Pin	Description
1	GND
2	GND
3	GND
4	GND

Pin	Description
5	+12V
6	+12V
7	+12V
8	+12V

### 6.3 PCI-e 6+2Pin Connector

Pin1 Pin5



Pin	Description
1	+12V
2	+12V
3	+12V
4	COM

Pin	Description
5	COM
6	COM
7	COM
8	COM

### 6.4 S-ATA Connector



Pin	Description
1	+3.3V
2	COM
3	+5V
4	COM
5	+12V

### 6.5 Peripheral 4-Pin Connector



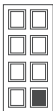
Pin	Description
1	+12V
2	COM
3	COM
4	+5V

### 6.6 Floppy Connector



Pin	Description
1	+12V
2	COM
3	COM
4	+5V

### 6.7 CM Digital Connector



Pin	Description	Pin	Description
1	VCC	6	COM
2	D-	7	COM
3	D+	8	COM
4	COM	9	COM
5	COM	10	COM

EN	6. Connector descriptions
FR	6. Description des connecteurs
IT	6. Descrizione dei connettori
PT	6. Descrição dos conectores
NL	6. Beschrijving aansluitingen
DE	6. Beschreibung der Anschlüsse
ES	6. Descripción de los conectores
RU	6. Описание разъемов
HU	6. Csatlakozók ismertetése
PL	6. Opis złączy
SR	6. Opisi konektora
TR	6. Bağlayıcılar   ağız   klamalar
CT	6. 線材接頭
CS	6. 线材接头
JP	6. コネクタの詳細

## Europe – EU Declaration of Conformity

This device complies with the essential requirements of the R&TTE Directive 1999/5/EC. The following test methods have been applied in order to prove presumption of conformity with the essential requirements of the R&TTE Directive 1999/5/EC:

EN 60950-1:  
2006+A11+A1:2010+A12:2011+A2:2013  
Safety of Information Technology Equipment

EN 62311: 2008 / Article 3(1)(a) and Article 2  
2006/95/EC)  
Assessment of electronic and electrical  
equipment related to human exposure  
restrictions for electromagnetic fields (0 Hz-300  
GHz)

EN 300 328 V1.9.1: 2015-02  
Electromagnetic compatibility and Radio  
spectrum Matters (ERM);  
Wideband transmission systems; Data  
transmission equipment operating  
in the 2,4 GHz ISM band and using wide band  
modulation techniques;  
Harmonized EN covering the essential  
requirements of article 3.2 of the R&TTE  
Directive

EN 301 489-1 V1.9.2: 2011  
Electromagnetic compatibility and Radio  
spectrum Matters (ERM); ElectroMagnetic  
Compatibility (EMC) standard for radio  
equipment and services; Part 1: Common  
technical requirements

EN 301 489-17 V2.2.1 2012  
Electromagnetic compatibility and Radio  
spectrum Matters (ERM); ElectroMagnetic  
Compatibility (EMC) standard for radio  
equipment; Part 17: Specific conditions for  
Broadband Data Transmission Systems

In Italy the end-user should apply for a license at the national spectrum authorities in order to obtain authorization to use the device for setting up outdoor radio links and/or for supplying public access to telecommunications and/or network services.



#### Česky (CS)

Cooler Master Technology Inc. tímto prohlašuje, že tento Bluetooth vysílač-přijímač je ve shodě se základními požadavky a dalšími příslušnými ustanoveními směrnice 1999/5/ES.

#### Dansk (DA)

Undertegnede Cooler Master Technology Inc. erklærer herved, at følgende udstyr Bluetooth sender-mottager overholder de væsentlige krav og øvrige relevante krav i direktiv 1999/5/EF.

#### Deutsch (DE)

Hiermit erklärt Cooler Master Technology Inc. , dass sich das Gerät Bluetooth-Sender-Empfänger- in Übereinstimmung mit den grundlegenden Anforderungen und den übrigen einschlägigen Bestimmungen der Richtlinie 1999/5/EG befindet.

#### Eesti (ET)

Käesolevaga kinnitab Cooler Master Technology Inc. seadme Bluetooth saatja-vastuvõtja vastavust direktiivi 1999/5/EÜ põhinõuetele ja nimetatud direktiivist tulenevatele teistele asjakohastele sätetele.

#### English (EN)

Hereby, Cooler Master Technology Inc. , declares that this Bluetooth transmitter-receiver is in compliance with the essential requirements and other relevant provisions of Directive 1999/5/EC.

#### Español (ES)

Por medio de la presente Cooler Master Technology Inc. declara que el Transmisor-receptor de Bluetooth cumple con los requisitos esenciales y cualesquiera otras disposiciones aplicables o exigibles de la Directiva 1999/5/CE.

#### Ελληνική (EL)

ΜΕ ΤΗΝ ΠΑΡΟΥΣΑ Cooler Master Technology Inc. ΔΗΛΩΝΕΙ ΟΤΙ Bluetooth πομπό και δέκτη ΣΥΜΜΟΡΦΩΝΕΤΑΙ ΠΡΟΣ ΤΙΣ ΟΥΣΙΩΔΕΙΣ ΑΠΑΙΤΗΣΕΙΣ ΚΑΙ ΤΙΣ ΛΟΙΠΕΣ ΣΧΕΤΙΚΕΣ ΔΙΑΤΑΞΕΙΣ ΤΗΣ ΟΔΗΓΙΑΣ 1999/5/ΕΚ.

#### Français (FR)

Par la présente Cooler Master Technology Inc. déclare que l'appareil Émetteur-récepteur Bluetooth est conforme aux exigences essentielles et aux autres dispositions pertinentes de la directive 1999/5/CE.

#### Italiano (IT)

Con la presente Cooler Master Technology Inc. dichiara che questo Bluetooth trasmettitore-ricevitore è conforme ai requisiti essenziali ed alle altre disposizioni pertinenti stabilite dalla direttiva 1999/5/CE.

#### Latviski (LAT)

Ar šo Cooler Master Technology Inc. deklarē, ka Bluetooth raidītājs-uztvērējs atbilst Direktīvas 1999/5/EK būtiskajām prasībām un citiem ar to saistītajiem noteikumiem.

#### Lietuvių (LTU)

Šiuo Cooler Master Technology Inc. deklaruoja, kad šis Bluetooth siųstuvus-įmtuvus atitinka esminius reikalavimus ir kitas 1999/5/EB Direktyvos nuostatas.

#### Nederlands (NL)

Hierbij verklaart Cooler Master Technology Inc. dat het toestel Bluetooth-zender-ontvanger in overeenstemming is met de essentiële eisen en de andere relevante bepalingen van richtlijn 1999/5/EG.

#### Malti (MT)

Hawnhekk, Cooler Master Technology Inc. , jiddikjara li dan Bluetooth trasmettitur-riċevitur jikkonforma mal-ħtiġijiet essenzjali u ma provvedimenti oħrajn relevanti li hemm fid-Direttiva 1999/5/EC.

#### Magyar (HU)

Alulírott, Cooler Master Technology Inc. nyilatkozom, hogy a Bluetooth adó-vevő megfelel a vonatkozó alapvető követelményeknek és az 1999/5/EC irányelv egység előírásainak.

#### Polski (PL)

Niniejszym Cooler Master Technology Inc. oświadcza, że Bluetooth nadajnik-odbiornik jest zgodny z zasadniczymi wymogami oraz pozostałymi stosownymi postanowieniami Dyrektywy 1999/5/EC.

#### Português (PT)

Cooler Master Technology Inc. declara que este Transmissor-receptor de Bluetooth está conforme com os requisitos essenciais e outras disposições da Directiva 1999/5/CE.

#### Slovensko (SL)

Cooler Master Technology Inc. izjavlja, da je ta Bluetooth oddajnik-sprejemnik v skladu z bistvenimi zahtevami in ostalimi relevantnimi določili direktive 1999/5/ES.

#### Slovensky (SK)

Cooler Master Technology Inc. týmto vyhlasuje, že Bluetooth vysielateľ-prijímač spĺňa základné požiadavky a všetky príslušné ustanovenia Smernice 1999/5/ES.

#### Suomi (FI)

Cooler Master Technology Inc. vakuuttaa täten että Bluetooth lähetin-vastaanotin tyyppinen laite on direktiivin 1999/5/EY oleellisten vaatimusten ja sitä koskevien direktiivin muiden ehtojen mukainen.

#### 繁體中文 (CH)

經型式認證合格之低功率射頻電機，非經許可，公司、商號或使用者均不得擅自變更頻率、加大功率或變更原設計之特性及功能。

低功率射頻電機之使用不得影響飛航安全及干擾合法通信；經發現有干擾現象時，應立即停用，並改善至無干擾時方得繼續使用。前項合法通信，指依電信法規定作業之無線電通信。低功率射頻電機須忍受合法通信或工業、科學及醫療用電波輻射性電機設備之干擾。

해당 무선설비는 전파혼신 가능성이 있으므로 인명안전과 관련된 서비스는 할 수 없음

### **Federal Communication Commission Interference Statement**

This equipment has been tested and found to comply with the limits for a Class B digital device, pursuant to Part 15 of the FCC Rules. These limits are designed to provide reasonable protection against harmful interference in a residential installation. This equipment generates, uses and can radiate radio frequency energy and, if not installed and used in accordance with the instructions, may cause harmful interference to radio communications. However, there is no guarantee that interference will not occur in a particular installation. If this equipment does cause harmful interference to radio or television reception, which can be determined by turning the equipment off and on, the user is encouraged to try to correct the interference by one or more of the following measures:

- Reorient or relocate the receiving antenna.
- Increase the separation between the equipment and receiver.
- Connect the equipment into an outlet on a circuit different from that to which the receiver is connected.
- Consult the dealer or an experienced radio/TV technician for help.

FCC Caution: Any changes or modifications not expressly approved by the party responsible for

compliance could void the user's authority to operate this equipment.

This device complies with Part 15 of the FCC Rules. Operation is subject to the following two conditions: (1) This device may not cause harmful interference, and (2) this device must accept any interference received, including interference that may cause undesired operation.

#### **IMPORTANT NOTE:**

##### **FCC Radiation Exposure Statement:**

The product comply with the US portable RF exposure limit set forth for an uncontrolled environment and are safe for intended operation as described in this manual. The further RF exposure reduction can be achieved if the product can be kept as far as possible from the user body or set the device to lower output power if such function is available. This transmitter must not be co-located or operating in conjunction with any other antenna or transmitter.

Please visit our website at [www.coolermaster.com](http://www.coolermaster.com)

Asia Pacific - Cooler Master Technology Inc.  
8F., No. 788-1, Zhongzheng Rd., Zhonghe  
Dist., New Taipei City 23586, Taiwan (R.O.C.).  
Tel: +886-2-2225-3517

Europe - Cooler Master Europe B.V.  
Lodewijkstraat 1b, 5652AC Eindhoven, The  
Netherlands  
Tel: +31-(0)40-702-0900

China - Cooler Master China  
Room 2062, Floor 6, No. 421, Weiqing Rd.,  
Jinshan District, Shanghai City, China  
Tel: +86-21-51872177

North America - Cooler Master NA  
4820 Schaefer Ave. Chino CA. 91710, USA  
Tel: +1-888-624-5099

Cooler Master Support: <https://account.coolermaster.com/>



Ver 1.0: 2016/04

©2016 Cooler Master Technology Inc. All Rights Reserved. All trademarks are registered to their respective owners.