

项目名称

V2316

Dreame		
发放	2023/5/16	日期
受控文件		

版本号

A00

已发布

设计时间

2023/05/15

物料名称

说明书 - 欧版

设计师

何启慧

审核

白士洋 2023/05/16

批准

料号

04170500001537

材质工艺要求: 封面: 157g 哑粉纸, 单面过油;

内页: 68g 哑粉纸; 胶装

材质要求:

颜色及专色: k55 单色印刷

尺寸要求: 140mm*210mm

变更履历:

Dreame U20

Cordless Stick Vacuum

User Manual

- The word "dreame" is the abbreviation of Dreame Technology Co., Ltd. and its subsidiaries in China. It is the transliteration of the company's Chinese name " 追觅 ", which means striving for excellence in every endeavor and reflects the company's vision of continuous pursuit, exploration and search in technology.
- Das Wort "dreame" ist die Abkürzung von Dreame Technology Co., Ltd und seinen Tochterunternehmen in China. Es ist die Transliteration des chinesischen Namens " 追觅 " dieser Firma, was für das Streben nach Vollendung steht und die Vision des Unternehmens widerspiegelt, nämlich im Bereich der Technologie unaufhaltsam weiterzustreben, zu erforschen und entdecken.
- Dreame est l'abréviation de l'entreprise chinoise Dreame Technology Co. et ses filiales, qui est la traduction phonétique du nom chinois de l'entreprise, reflétant la vision de l'entreprise qui consiste à poursuivre, explorer et rechercher constamment les avancées technologiques.
- La parola "dreame" è l'abbreviazione dell'azienda Dreame Technology Co., Ltd. e delle sue filiali in Cina. È la traslitterazione del nome cinese dell'azienda " 追觅 ", che dimostra la continua ricerca, esplorazione e visione di ricerca dell'azienda nella tecnologia.
- La palabra "dreame" es la abreviatura de Dreame Technology Co., Ltd. y sus subsidiarias en China. Es la transliteración del nombre chino de "Dreame", que significa luchar por la excelencia en cada esfuerzo y refleja la visión de la compañía de continuamente buscar, explorar e investigar en tecnológías.
- Dreame — сокращённое название китайской компании Dreame Technology Co., Ltd. и её дочерних предприятий. Dreame является транслитерацией названия компании на китайском языке « 追觅 », в котором отражено корпоративное видение компании в сфере науки и технологий — непрерывный поиск, исследования и стремление к успеху.
- Słowo "dreame" to skrót od Dreame Technology Co., Ltd. i spółek w Chinach. Jest to transliteracja chińskiej nazwy firmy " 追觅 " co oznacza dążenie do doskonałości w każdym przedsięwzięciu, odzwierciedlając wizję firmy, jaką jest ciągłe prowadzenie, odkrywanie i poszukiwania w nauce i technologii.
- Het woord "dreame" is de afkorting van Dreame Technology Co., Ltd. en haar dochterondernemingen in China. Het is de transliteratie van de Chinese naam van het bedrijf " 追觅 ", wat betekent streven naar uitmuntendheid in elke inspanning en de visie van het bedrijf van continu nastreven, verkennen en zoeken in technologie weerspiegelt.
- دريم هي مؤسسة صينية ويطلق على شركة دريم للتكنولوجيا المحدودة والشركات التابعة لها، وتعكس الترجمة الصوتية للمسمى الصيني " 追觅 " رؤية الشركة للسعي المستمر والاستكشاف والبحث في التكنولوجيا.
- Dreame הינו שמו המקוצר של החברה הסינית Dreame Technology Co., Ltd. ותו תעתיק המבוסס על צליל השם הסיני " 追觅 " וממחיש בתוכו את חזון החברה לחפש ולדרוך באופן בלתי פוסק בתחום הטכנולוגיה.



For more information & after-sales support, contact us via aftersales@dreame.tech or <https://global.dreametech.com>

Manufactured by: Dreame Trading (Tianjin) Co., Ltd.
Made in China

VPV11A-EU-A00

15/05/2023



dreame

THANK YOU

FOR PURCHASING THIS DREAME VACUUM CLEANER.

Registration Quick Start

Welcome to register a Dreame account by scanning the QR code.

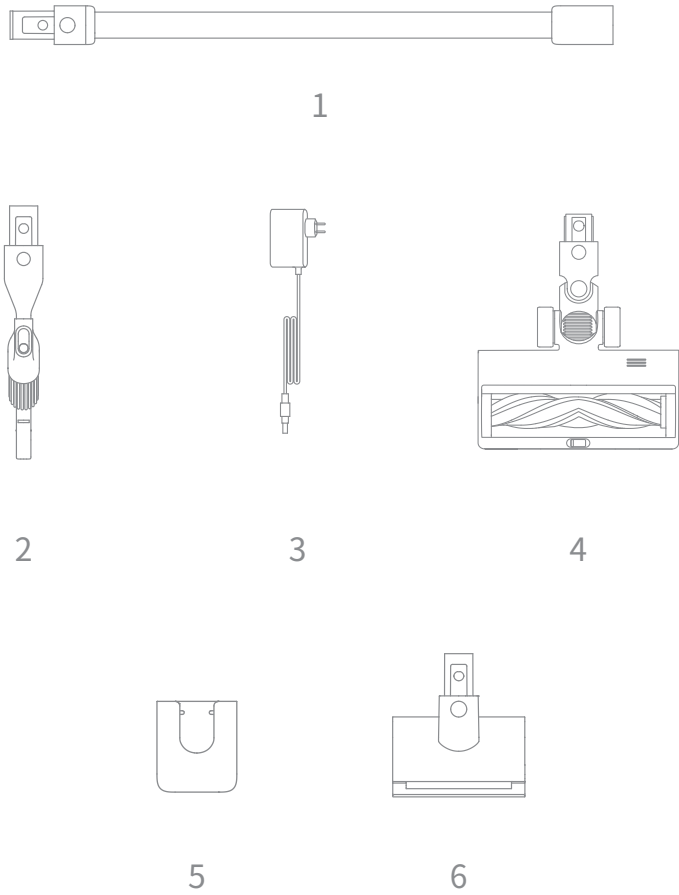
You are available for the User Manual and Special Offers.



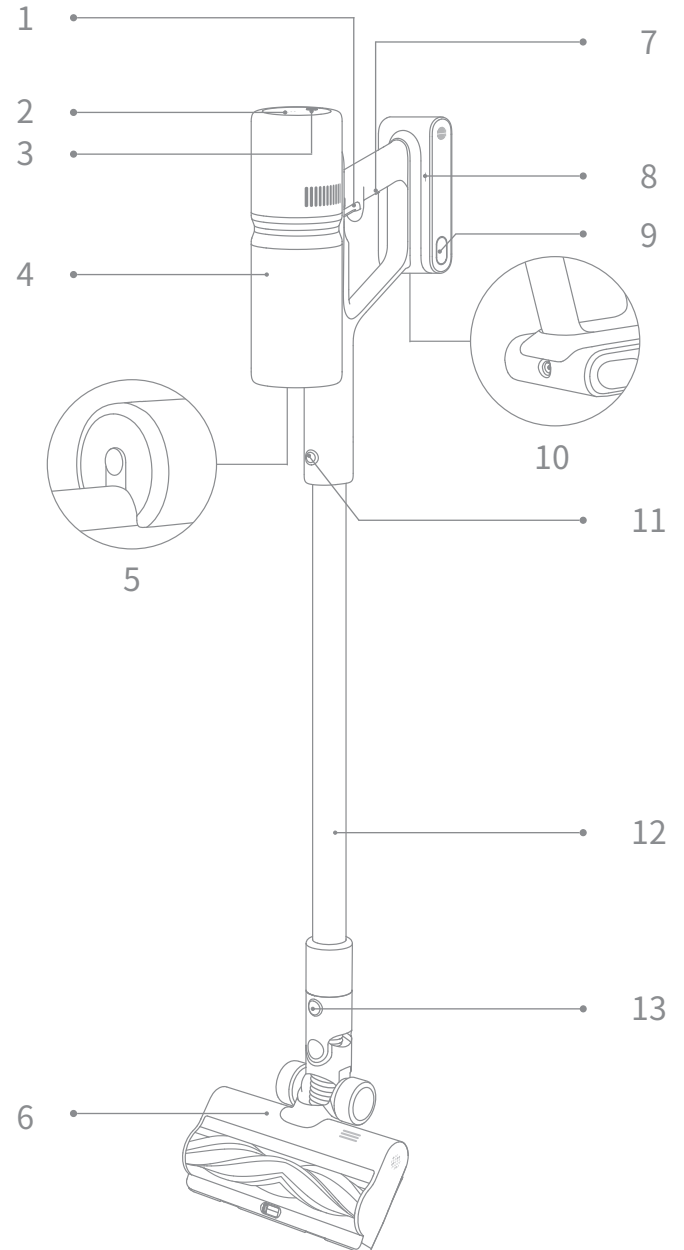
The high-quality product is engineered for optimal performance. If you have any questions on the product, please contact us: aftersales@dreame.tech.

EN	User Manual	10
DE	Benutzerhandbuch	18
FR	Manuel d'utilisation	26
IT	Manuale Utente	34
ES	Manual de usuario	42
RU	Руководство пользователя	50
PL	Instrukcja Obsługi	59
NL	Gebruiksaanwijzing	67
AR	دليل المستخدم	75
HE	מדריך למשתמש	81

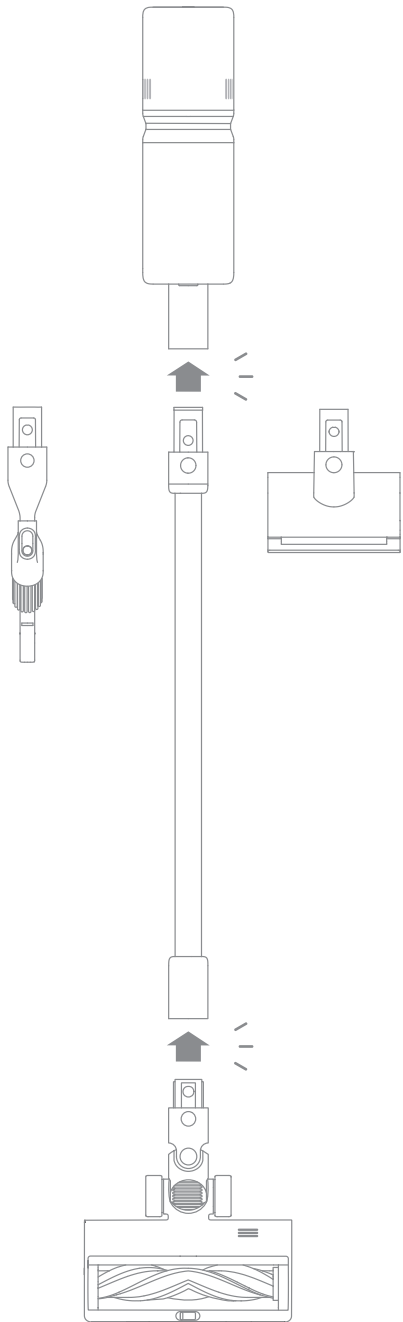
A



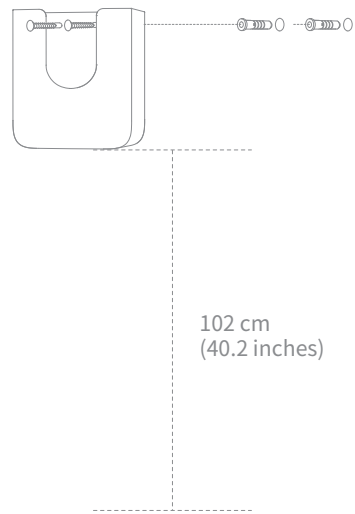
B



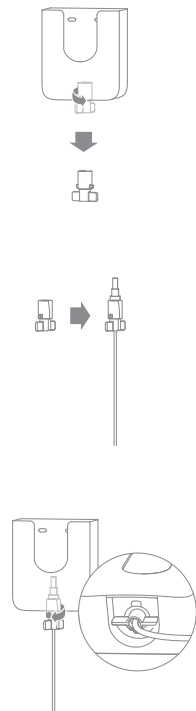
C-1



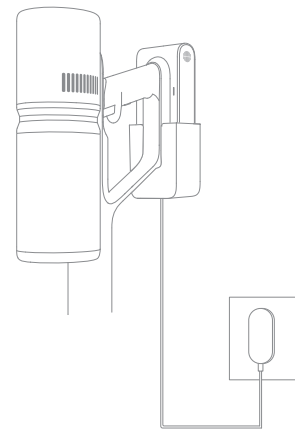
C-2



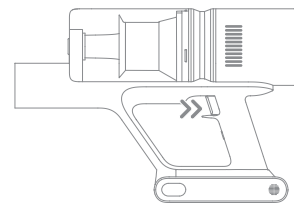
D-1



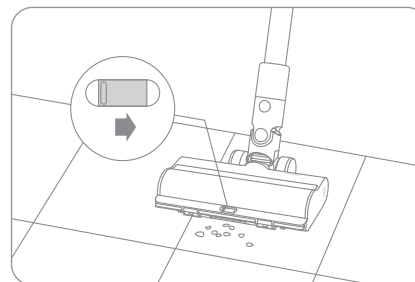
D-2



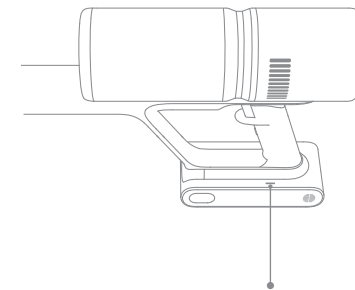
D-4



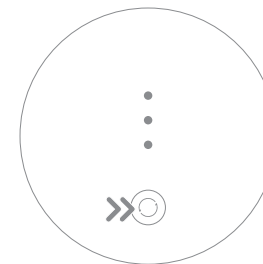
D-6



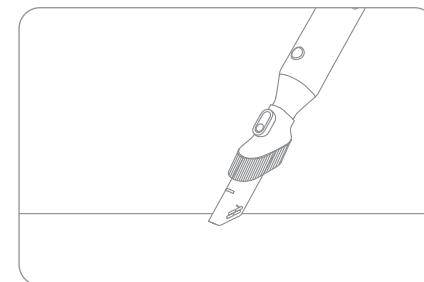
D-3



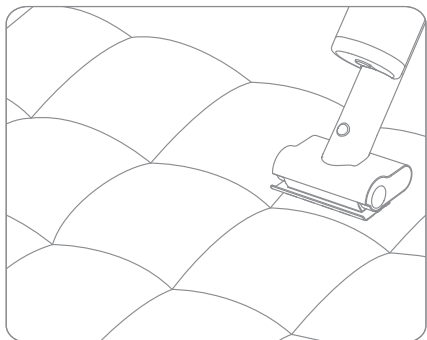
D-5



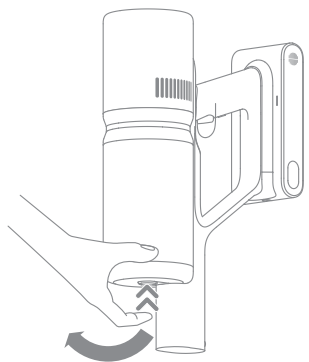
D-7



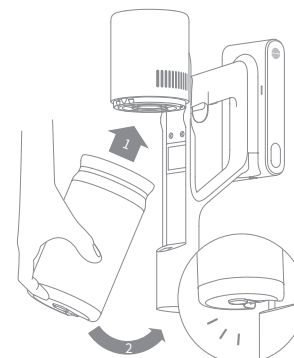
D-8



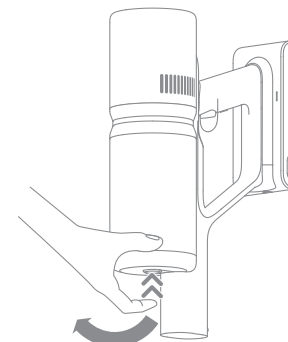
E-1



E-6



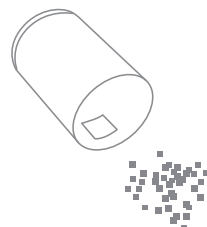
E-7



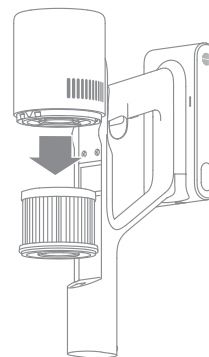
E-2



E-3



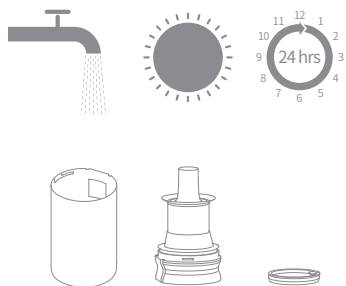
E-8



E-9



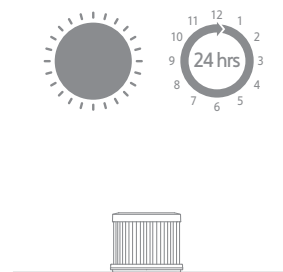
E-4



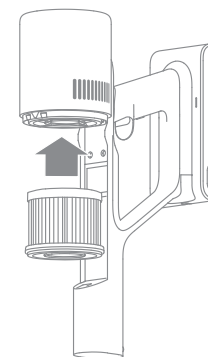
E-5



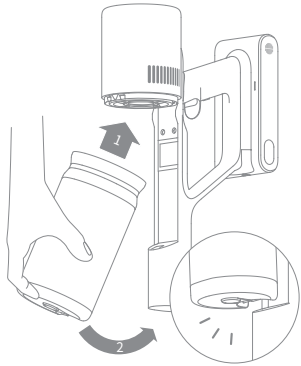
E-10



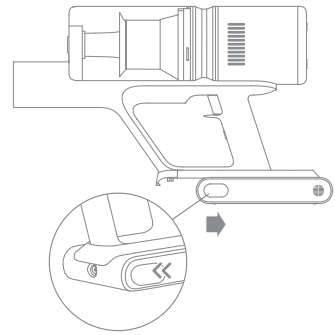
E-11



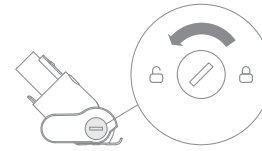
E-12



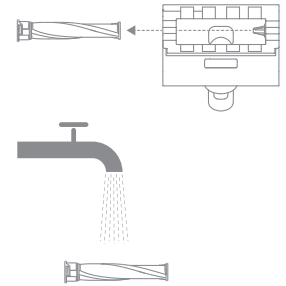
E-13



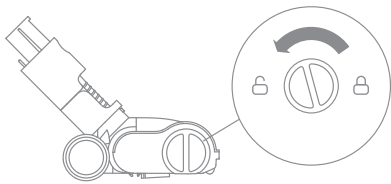
E-18



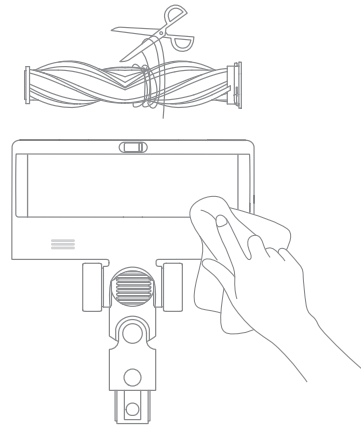
E-19



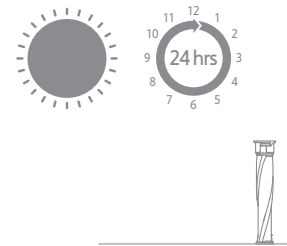
E-14



E-15



E-20



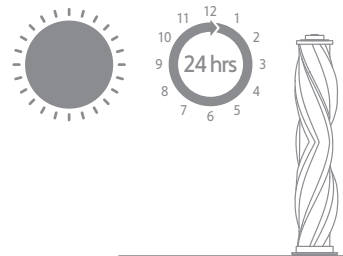
E-21



E-16



E-17



Safety Instructions

To prevent accidents including electric shock or fire caused by improper use, please read this manual carefully before use and retain it for future reference.

Warning

- This product can be used by children aged from 8 years and above and persons with physical, sensory, intellectual deficiencies, or limited experience or knowledge under the supervision of a parent or guardian to ensure safe operation and to avoid any risk of hazards. Cleaning and maintenance shall not be made by children without supervision.
- The vacuum is not a toy. Children shall not play with or operate this product. Please exercise caution when using the vacuum near children. Do not allow children to clean or maintain the vacuum unless supervised by a parent or guardian.
- Do not use the vacuum outdoors or on wet surfaces. Only use the vacuum on dry indoor surfaces. Do not touch the plug or any part of the vacuum with wet hands.
- To reduce the risk of fire, explosion, or injury, check to make sure the lithium battery and charging adapter are undamaged before use. Do not use the vacuum if either the lithium battery or charger is damaged.
- The multi-surface brush, soft roller brush, motorized mini-brush, battery, metal connector pin, and vacuum are electrically conductive and should not be immersed in water or other liquid. Make sure to dry all filters after cleaning.
- Prevent injury caused by moving parts. Turn off the vacuum before cleaning the multi-surface brush and soft roller brush. The multi-surface brush, soft roller brush, dust compartment and filter must all be properly installed before using the vacuum.
- Only use the original charging adapter. Never use an unoriginal adapter, as this may cause the lithium battery to catch fire.
- Do not use the vacuum to pick up flammable or combustible liquids, such as gasoline, or bleach, ammonia, drain cleaners or other liquids.
- Do not use the vacuum to pick up sharp or hard objects, such as glass, nails, screws, or coins, which may damage the machine. Do not use the vacuum to pick up drywall particles, ashes like fireplace ash, or smoking or burning materials such as coal, cigarette butts or matches.
- Check the area to be cleaned before use. To prevent the openings from being blocked, clear the larger paper, spitball, plastic cloth or sharp objects (such as glass, nails, screws, coins, etc.) and any object which is larger than openings.
- Keep hair, loose clothing, fingers and other parts of the body away from the vacuum's openings and moving parts. Do not point the extension rod, wand or tools at your eyes or ears or put them in your mouth.
- Do not put any object into the vacuum's openings. Do not use the vacuum with any opening blocked. Keep free of dust, lint, hair, or other items which may reduce airflow.
- Do not rest the vacuum against a chair, table, or other unstable surface, as this may cause damage to the machine or personal injury. If the vacuum becomes damaged from being knocked over or is otherwise malfunctioning, please contact our authorized service department. Never attempt to disassemble the device on your own.
- All instructions in the manual for recharging the battery must be strictly followed. Failure to properly charge the battery within the specified temperature range could damage the battery.

- Only use accessories and replacement parts recommended by the manufacturer.
- Please be extra careful when using the vacuum to clean stairs.
- Make sure the vacuum is unplugged when not used for extended periods as well as prior to performing any maintenance or repairs.
- Do not install, charge, or use this product outdoors, in bathrooms, or around a pool.
- Fire Hazard Warning: Do not apply any type of fragrance to the vacuum's filter. These types of products are known to contain flammable chemicals which may cause the vacuum to catch fire.
- Only use the original charger (Model ZD012M300065EU). Failing to do so may cause the lithium-ion battery to catch fire.
- Only use the approved battery type (Model V2316-7S1P-SCA). Failing to do so may cause the lithium-ion battery to catch fire.
- If the battery material is released, remove personnel from area until the batteries cool down and fumes dissipate.
- Provide maximum ventilation to clear out hazardous gases and avoid skin and eye contact or inhalation of vapors.
- Remove spilled liquid with absorbent and incinerate waste.
- Do not use and store in extremely hot or cold environments (below 0°C /32°F or above 40°C /104°F). Please charge the cordless vacuum in temperature above 0°C /32°F and below 40°C /104°F.
- This product is designed for home use only.
- The supply terminals are not to be short-circuited.

Symbols



read operator's manual



detachable supply unit


We, Dreame Trading (Tianjin) Co., Ltd., hereby, declares that this equipment is in compliance with the applicable Directives and European Norms, and amendments. The full text of the EU declaration of conformity is available at the following internet address: <https://global.dreameotech.com>

For detailed e-manual, please go to <https://global.dreameotech.com/pages/user-manuals-and-faqs>

Accessories

1. Extension Rod
 2. Combination Tool
 3. Charger
 4. Multi-Surface Brush
 5. Wall Mount (Including screw × 2, wall plug × 2)
 6. Motorized Mini-Brush
- Fig. A**

Components

1. Power Button (Press to turn on/Release to turn off)
 2. Suction Level Status Indicator
Turbo: Med: Eco:
 3. Suction Level Switch

 4. Dust Cup
 5. Dust Cup Release Button
 6. Multi-Surface Brush
 7. Antistatic Contact
 8. Battery Status Indicator
 9. Battery Pack Release Button
 10. Charging Port
 11. Extension Rod Release Button
 12. Extension Rod
 13. Brush Release Button
- Fig. B**

Note: The illustrations in this manual are indicative only. The actual product may differ.

Installation

- Vacuum and Accessories Installation
Fig. C-1
- Wall Mount Installation

The mount should be installed in a cool, dry place near a power outlet. Make sure the installation area is clear of any pipes such as gas or water lines, and air ducts, electric wires and cables, or drainage

lines.

1. Before installation, measure the wall in the height of 102 cm (40.2 inches) above the ground.
2. Mark and drill two 8 mm (0.315 inch) diameter holes into the wall with an electric drill. Insert the wall plugs into the holes.
3. Align the position holes on the mount with the holes on the wall. Fasten it to the wall with the included screws.

Fig. C-2

Operation

Charging

- Connecting the charger to the wall mount
 1. Rotate the clip in the bottom of wall mount 90 degrees counterclockwise to remove it from the mount.
 2. Insert the power cord into the notch on the clip.
 3. Rotate the clip 90 degrees clockwise until it clicks into place.

Fig. D-1


- Put the vacuum cleaner on the wall mount and plug the charger into the charging port.

Fig. D-2


- Battery Status Indicator

Fig. D-3

Charging

- Fully charged
-  Charging

Discharging

- Battery Level ≥ 10%
-  Battery Level < 10%

- Solid white
-  Blinking white
- off

Note:

1. The vacuum cannot be used while charging.
2. Fully charge the vacuum before using it for the first time. This will take about 4 hours.
3. Vacuuming at Turbo mode for a prolonged period will cause the battery

to heat up, which increases charging time. Allow the vacuum to cool down for 30 minutes before charging it.

Working Method

Press and hold the power button to start the appliance, and release the button to stop immediately.

Fig. D-4

Switching Suction Level

Press briefly to switch between eco, med and turbo mode.

Fig. D-5

Using Different Accessories

- Multi-Surface Brush
 - When using on baby play mats, carpets or for vacuuming coffee beans, pop corn and other pellets, turn on the switch on the brush.
 - When vacuuming on tiles, wooden floors or other hard surfaces, turn off the switch.

Fig. D-6

Note:

1. The multi-surface brush can be attached directly to the vacuum.
 2. When the appliance starts, the lights in front of the brush roller will automatically turn on, which is convenient for use.
- Combination Tool
Suitable for vacuuming cracks, corners of doors and windows, stairs, and other hard-to-reach places.
- Fig. D-7**
- Motorized Mini-Brush
For vacuuming dirt, pet hair, and other stubborn debris from sofas, bedding, and other fabric surfaces.
- Note: It is not recommended to vacuum on fragile surfaces, such as silk.

Fig. D-8

Note:

1. If any rotating part becomes stuck, the vacuum may shut off automatically. Remove any trapped foreign objects, then resume use.
2. When the battery becomes overheated, the vacuum will automatically shut off. Wait until the battery temperature returns to normal, then resume use.

Care & Maintenance

Tips:

1. Always use genuine parts to keep your warranty from being void.
2. If the filter or nozzle becomes clogged, the vacuum will stop working shortly after being turned on. Clean it to restore functionality.
3. If the vacuum is not used for an extended period, fully charge it, unplug its charger, remove the battery, and store it in a cool, low-humidity environment away from direct sunlight. To avoid over-discharging the battery, recharge the battery at least once every three months.

Cleaning the Vacuum

Wipe the vacuum with a soft dry cloth.

Cleaning the Dust Cup, Pre-Filter, and Cyclone Assembly

Before cleaning the dust cup, disconnect the charger and keep the vacuum's power button in the off position.

- Press the dust cup release button and remove it from the vacuum.
Fig. E-1
- Remove the pre-filter first, and then rotate the cyclone system to lift it out.
Fig. E-2
- Empty the dust cup.
Fig. E-3
- Rinse the cyclone assembly, pre-filter, and dust cup until they are clean. After washing, air dry for at least 24 hours.
Fig. E-4

Note:

1. It is recommended to clean the dust cup after use.
2. It is recommended to clean the cyclone system and pre-filter at least once every 3 to 4 months.

Installing the Dust Cup, Pre-Filter, and Cyclone Assembly

- Install the cyclone assembly and pre-filter into the dust cup.

Fig. E-5

- Slightly tilt the dust cup so the slot aligns with the clip on the vacuum. Then gently push the dust cup until it clicks into place.

Fig. E-6

Cleaning the Filter

It is recommended to clean the filter once every 4 to 6 months.

- Remove the dust cup as shown in the figure.

Fig. E-7

- Remove the filter from the vacuum by pulling it down in the direction shown in the figure.

Fig. E-8

- Rinse the filter with rotating it 360°. Lightly tap the filter several times to remove any debris caught in it.

Fig. E-9

Note:

- Only use clean water to wash the filter. Do not use detergent.
- Do not attempt to clean the filter with a brush or finger.

- Allow the filter to air dry for 24 hours.

Fig. E-10

Installing the Filter

- Insert the filter into the vacuum.

Fig. E-11

- Reinstall the dust cup.

Fig. E-12

Replacing the Battery Pack

The vacuum contains a removable rechargeable lithium-ion battery pack which has a limited number of recharge cycles. After extended use, the battery pack may no longer hold a charge. If this happens, it means the battery pack has reached the end of its life cycle and needs to be replaced.

- Press down the battery pack release button and slide the battery pack to the right, as illustrated, to remove it.

- Install the new battery pack.

Fig. E-13

Cleaning the Multi-Surface Brush

- Turn the lock counterclockwise until it stops, then remove the brush roller from the brush.

Fig. E-14

- Use scissors to cut off hairs and fibers tangled on the brush roller. Wipe the dust from the notch and brush cover with a dry cloth or paper towel.

Fig. E-15

- When it is dirty, rinse the brush roller with clean water until it is clean.

Fig. E-16

- Stand the brush roller upright for at least 24 hours until it is fully dry.

Fig. E-17

Cleaning the Motorized Mini-Brush

- Use a coin as illustrated to rotate the lock counterclockwise until you hear a click.

Fig. E-18

- After unlocking the motorized mini-brush, remove the brush roller, then rinse and clean it.

Fig. E-19

- Stand the brush roller upright in a well-ventilated area for at least 24 hours until it is fully dry.

Fig. E-20

- Once the brush roller is dry, reinstall it by following the disassembly steps in reverse.

Fig. E-21

Specifications

Vacuum Cleaner	
Model	VPV11A
Rated Power	370 W
Rated Voltage	25.2 V ===
Charging Time	approximately 4 hours
Multi-Surface Brush	
Model	VMB9
Rated Power	40 W
Rated Voltage	25.2 V ===

Motorized Mini-Brush	
Model	VPA1
Rated Power	20 W
Rated Voltage	25.2 V ===
Charger	
Model	ZD012M300065EU
Input	100-240 V~ 50/60 Hz 0.5 A
Output	30 V === 0.65 A
Average Active Efficiency	85.36%
Efficiency at Low Load (10%)	75.35%
No-load Power Consumption	0.1 W

Rechargeable Lithium-Ion Battery Pack	
Model	V2316-7S1P-SCA
Nominal Voltage	25.2 V ===
Nominal Capacity	2500 mAh
Rated Capacity	2300 mAh
Energy	57.96 Wh

If the vacuum is not working properly, please refer to the table below.

Errors	Possible Causes	Solutions
The vacuum does not work.	The appliance is out of battery or its battery level is low.	Fully charge the vacuum, then resume use.
	Overheat protection mode triggered by a blockage.	Clean the suction opening or air duct. Wait until the vacuum cools down, then reactivate it.
	The suction opening or air duct is blocked.	Clear any blockage from the suction opening or air duct.
Weak suction force.	The dust cup is full and/or filter assembly is clogged.	Empty the dust cup and/or clean the filter assembly.
	An attachment is blocked.	Clear any blockage in the attachment.
The motor makes a strange noise.	Main suction opening or extension rod is blocked.	Clear any blockage in the main suction opening or extension rod.
The battery indicator is solid red when charging the vacuum.	The battery pack is damaged.	Please contact the after-sales service department for maintenance.
The battery indicator blinks red after turning on the vacuum.	The motor temperature is too high. / The brush roller is blocked. / The air duct is blocked.	Check these parts in turn.
The battery indicator does not light up when charging.	The charger does not plug into the vacuum well.	Check whether the charger is properly plugged into the vacuum.
	The battery is fully charged and switches to sleep mode automatically.	The vacuum runs normally.
	The problem persists after ruling out the above two possibilities.	Please contact the after-sales service department for maintenance.
Charging too slow	The battery temperature is too low or too high.	Wait until the battery temperature returns normal, and then recharge.
LED lights of the multi-surface brush do not work.	LED lights are damaged.	Please contact the after-sales department for maintenance.

- The lithium-ion battery pack contains substances that are hazardous to the environment. Before disposing of the vacuum, please remove the battery pack, then discard or recycle it in accordance with local laws and regulations of the country or region it is used in.
- The appliance must be disconnected from the power supply when removing the battery. Keep batteries out of the reach of children. Never put batteries in mouth. If swallowed, contact your physician or local poison control.
- Under abusive conditions, never contact the battery from which the liquid may be ejected. If contact accidentally occurs, rinse with water. If liquid contacts eyes, seek medical help immediately. Liquid ejected from the battery may cause irritation or burns.

WEEE Information



All products bearing this symbol are waste electrical and electronic equipment (WEEE as in directive 2012/19/EU) which should not be mixed with unsorted household waste. Instead, you should protect human health and the environment by handing over your waste equipment to a designated collection point for the recycling of waste electrical and electronic equipment, appointed by the government or local authorities. Correct disposal and recycling will help prevent potential negative consequences to the environment and human health. Please contact the installer or local authorities for more information about the location as well as terms and conditions of such collection points.

Sicherheitshinweise

Um zu vermeiden, dass es durch unsachgemäße Benutzung zu Stromschlägen oder Bränden kommt, sollten Sie dieses Handbuch vor der Benutzung sorgfältig durchlesen und es aufbewahren, um künftig nachschlagen zu können.

Warnung

- Dieses Produkt kann von Kindern im Alter ab acht Jahren und von Personen mit physischen, sensorischen und intellektuellen Einschränkungen oder begrenzter Erfahrung oder Wissen benutzt werden, dies muss jedoch unter Aufsicht von Eltern oder einer Aufsichtsperson erfolgen, um einen sicheren Betrieb zu gewährleisten und Gefahren auszuschließen. Eine Wartung und Reinigung durch Kinder darf nur unter Aufsicht erfolgen.
- Der Staubsauger ist kein Spielzeug. Kinder dürfen mit dem Produkt nicht spielen oder es benutzen. Seien Sie bei der Benutzung des Staubsaugers in der Nähe von Kindern bitte vorsichtig. Gestatten Sie es Kindern keinesfalls, den Staubsauger zu reinigen oder zu warten, außer unter Aufsicht eines Elternteils oder Vormunds.
- Der Staubsauger darf nicht im Freien oder auf nassen Oberflächen benutzt werden. Der Staubsauger darf nicht mit nassen Händen berührt werden.
- Um das Risiko von Bränden, Explosionen und Verletzungen zu mindern, prüfen Sie vor der Benutzung bitte den Lithium-Akku und das Ladegerät auf Beschädigungen. Der Staubsauger darf nicht benutzt werden, wenn der Lithium-Akku oder das Ladegerät beschädigt ist.
- Die Mehrflächenbürste, die weiche Walzenbürste, motorisierte Minibürste, der Akku, der Metallanschlusstift und der Staubsauger sind elektrisch leitfähig und sollten nicht in Wasser oder andere Flüssigkeiten getaucht werden. Lassen Sie alle Filter nach dem Reinigen unbedingt trocknen.
- Schützen Sie sich vor Verletzungen durch bewegliche Teile. Schalten Sie den Staubsauger aus, bevor Sie die Mehrflächenbürste und die weiche Walzenbürste reinigen. Die Flächenbürste, die weiche Walzenbürste, der Staubbehälter und der Filter müssen ordnungsgemäß eingesetzt sein, bevor Sie den Staubsauger verwenden.
- Benutzen Sie ausschließlich das Original-Ladegerät. Die Benutzung eines nicht originalen Ladegerätes kann zu einer Entzündung des Lithium-Akkus führen.
- Der Staubsauger darf nicht benutzt werden, um brennbare oder entzündliche Flüssigkeiten wie Benzin, Bleiche, Ammoniak, Abflussreiniger oder andere Flüssigkeiten aufzusaugen.
- Der Staubsauger darf nicht benutzt werden, um Gipspartikel, Asche (z. B. Kaminasche) oder Rauch- oder Brennmaterialien wie Kohle, Zigarettenstummel oder Streichhölzer aufzusaugen.
- Der Staubsauger darf nicht benutzt werden, um scharfe oder harte Objekte wie Glas, Nägel, Schrauben oder Münzen aufzusaugen, da dies zu Schäden am Gerät führen kann.
- Halten Sie Ihre Haare, lockere Kleidungsstücke, Finger und andere Körperteile von den Öffnungen und beweglichen Teilen des Staubsaugers fern. Richten Sie das Verlängerungsrohr, das Rohr oder die Zubehörteile nicht auf Ihre Augen oder Ohren und nehmen Sie diese nicht in den Mund.
- Stecken Sie keine Gegenstände in die Öffnungen des Staubsaugers. Der Staubsauger darf nicht genutzt werden, wenn eine Öffnung blockiert ist. Er muss frei von Staub, Flusen, Haaren und anderen Gegenständen gehalten werden, die den Luftstrom

behindern könnten. nicht genutzt werden, wenn eine Öffnung blockiert ist. Er muss frei von Staub, Flusen, Haaren und anderen Gegenständen gehalten werden, die den Luftstrom behindern könnten.

- Lehnen Sie den Staubsauger nicht gegen Stühle, Tische oder andere instabile Flächen, da dies zu Schäden am Gerät oder Verletzungen führen kann. Falls der Staubsauger durch Umkippen beschädigt wird oder sonst defekt ist, wenden Sie sich bitte an unsere autorisierte Serviceabteilung. Versuchen Sie nie, das Gerät selbst zu zerlegen.
- Beim Aufladen des Akkus sind alle Anweisungen in dieser Anleitung strikt zu befolgen. Wenn bei der Aufladung des Akkus der angegebene Temperaturbereich nicht eingehalten wird, kann der Akku beschädigt werden.
- Verwenden Sie nur vom Hersteller empfohlenes Zubehör und Ersatzteile.
- Stellen Sie sicher, dass der Staubsauger nicht mit dem Stromnetz verbunden ist, wenn Sie ihn über längere Zeit nicht benutzen. Der Staubsauger muss außerdem vom Stromnetz getrennt werden, bevor Wartungs- und Reparaturarbeiten erfolgen.
- Bitte seien Sie besonders vorsichtig, wenn Sie den Staubsauger zur Treppenreinigung verwenden.
- Dieses Produkt darf nicht im Freien, in Badezimmern oder in der Nähe eines Schwimmbeckens benutzt, installiert oder geladen werden.
- Warnung vor Brandgefahr: auf den Filter dürfen keinesfalls Duftstoffe jeglicher Art aufgetragen werden. Diese Art von Produkten enthält häufig brennbare Chemikalien, die dazu führen könnten, dass das Gerät Feuer fängt.
- Verwenden Sie nur das Original-Ladegerät (Modell ZD012M300065EU). Andernfalls kann es zu einer Entzündung des Lithium-Ionen-Akkus kommen.
- Verwenden Sie nur den zugelassenen Akkutyp (Modell V2316-7S1P-SCA). Andernfalls kann es zu einer Entzündung des Lithium-Ionen-Akkus kommen.
- Sorgen Sie dafür, dass sich während der Freisetzung des Batteriematerials keine Personen in unmittelbarer Nähe befinden, bis die Batterien abgekühlt sind und sich die Dämpfe verflüchtigt haben.
- Stellen Sie sicher, dass der Bereich bestmöglich belüftet ist, damit sich gesundheitsgefährdende Gase schnell verflüchtigen können und der Haut- und Augenkontakt sowie das Einatmen von Dämpfen vermieden wird.
- Entfernen Sie die verschüttete Flüssigkeit mit Absorptionsmittel verbrennen Sie die Abfälle.
- Verwenden und lagern Sie es nicht in extrem heißen oder kalten Umgebungen (unter 0°C /32°F oder über 40°C /104°F). Laden Sie bei einer Ladetemperatur von 0°C bis 40°C mit dem Original-Netzadapter.
- Das Produkt ist nur für den Heimgebrauch bestimmt.
- Die Anschlussklemmen dürfen nicht kurzgeschlossen werden.

Symbole



Bedienungsanleitung lesen



Abnehmbare Versorgungseinheit

Wir, Dreame Trading (Tianjin) Co., Ltd., bestätigen hiermit, dass dieses Gerät mit geltenden Verordnungen und europäischen Normen sowie etwaigen Ergänzungen in Einklang steht. Der vollständige Wortlaut der EU-Konformitätserklärung ist unter der folgenden Internetadresse abrufbar: <https://global.dreametech.com>

Ein detailliertes elektronisches Handbuch finden Sie unter <https://global.dreametech.com/pages/user-manuals-and-faq>

Zubehör

1. Verlängerungsstab
2. Kombi-Werkzeug
3. Ladegerät
4. Mehrflächenbürste
5. Wandbefestigungsdose (inkl. Schraube x2, Dübel x2)
6. Motorisierte Mini-Bürste

Abb. A

Bauteilbezeichnung

1. Einschalttaste (zum Einschalten drücken/zum Ausschalten loslassen)

2. Saugstärke-Statusanzeige

Turbo: Mitt: Eco:

3. Saugstärke-Taste



4. Staubbehälter

5. Taste zum Öffnen des Staubbehälters

6. Mehrflächenbürste

7. Antistatischer Kontakt

8. Akkustatusanzeige

9. Akkufreigabetaste

10. Ladeanschluss

11. Entriegelungstaste für die Verlängerungsstange

12. Verlängerungsstab

13. Eentriegelungstaste für Bürsten

Abb. B

Hinweis: Die Abbildungen in diesem Handbuch dienen nur als Referenz, bitte beziehen Sie sich auf das tatsächliche Aussehen.

Installation

• Zusammenbau von Staubsauger und Zubehör
Abb. C-1

• Montage der Wandhalterung

Die Wandbefestigungsdose sollte an einem kühlen, trockenen Ort mit einer Stromquelle in der Nähe angebracht werden, wobei darauf zu achten ist, dass sich direkt hinter dem Installationsbereich keine Drähte oder Rohre oder andere Einrichtungen befinden.

1. Vor der Montage messen Sie die Wand

in einer Höhe von 102 cm (40,2 Zoll) über dem Boden aus.

2. Bohren Sie das Loch mit einem 8-mm (0,315 inch)-Bohrmeißel-Elektrowerkzeug und setzen Sie das Expansionsrohr in das Loch.

3. Richten Sie die Montagelöcher für die Wandbefestigungsdose mit den Bohrlöchern in der Wand aus und befestigen Sie sie mit Schrauben an der Wand.

Abb. C-2

Betrieb

Aufladen

• Ladegerät an die Wandhalterung anschließen

1. Drehen Sie den abnehmbaren Clip an der Unterseite der Befestigungsdose um 90° gegen den Uhrzeigersinn, um ihn zu entfernen.

2. Schnappen Sie das Netzkabel des Adapters durch das gerillte Ende des Clips ein.

3. Drehen Sie um 90° im Uhrzeigersinn, um den Clip zu verriegeln.

Abb. D-1

• Setzen Sie den Staubsauger auf die Wandhalterung und stecken Sie den Adapter in den Ladeanschluss.

Abb. D-2

• Akkustatusanzeige

Abb. D-3

Ladevorgang läuft

○ Voll aufgeladen

☀ Ladevorgang läuft

Entladen

○ Batteriestand ≥ 10%

☀ Batteriestand < 10%

○ Leuchtet weiß ☀ Blinkt weiß ● Aus

Hinweis:

1. Der Staubsauger kann während des Ladens nicht benutzt werden.
2. Vor der erstmaligen Benutzung sollte der Staubsauger voll aufgeladen werden. Dies dauert etwa 4 Stunden.
3. Wenn Sie über längere Zeit im

Turbomodus Staub saugen, kann dies zur Erhitzung des Akkus führen, was eine längere Ladezeit zur Folge hat. Lassen Sie daher den Staubsauger vor dem Aufladen 30 Minuten abkühlen.

Bedienung

Halten Sie zum Einschalten des Geräts die Einschalttaste gedrückt und lassen Sie die Taste los, um das Gerät sofort zu stoppen.

Abb. D-4

Saugstärke umschalten

Kurz drücken, um zwischen Eco-, Medium- und Turbomodus zu wechseln.

Abb. D-5

Benutzung verschiedener Zubehörteile

- Mehrflächenbürste
 - Beim Einsatz auf Babyspielmatten, Teppichen oder zum Aufsaugen von Kaffeebohnen, Popcorn und anderen großen, schüttfähigen Partikeln, aktivieren Sie den Schalter an der Bürste.
 - Deaktivieren Sie den Schalter beim Staubsaugen auf Fliesen, Holzböden oder anderen harten Oberflächen.

Abb. D-6

Hinweis:

1. Die Mehrflächenbürste kann direkt am Staubsauger befestigt werden.
2. Wenn das Gerät startet, schalten sich die Lichter vor der Bürstenrolle automatisch ein, was für die Benutzung sehr praktisch ist.

- Kombi-Werkzeug
 - Geeignet für das Saugen in Spalten, in Ecken von Türen und Fenstern, auf Treppen und an anderen schwer zugänglichen Stellen.

Abb. D-7

- Motorisierte Mini-Bürste
 - Zum Aufsaugen von Schmutz, Tierhaaren und anderen hartnäckigen Ablagerungen auf Sofas, Bettzeug und anderen Textiloberflächen.
 - Hinweis: Das Staubsaugen auf Oberflächen, die eingezogen werden könnten wie z. B. Seide, wird nicht empfohlen.

Abb. D-8

Hinweis:

1. Wenn ein rotierendes Teil stecken bleibt, kann es passieren, dass der Staubsauger sich automatisch abschaltet. Entfernen Sie dann etwaige eingeklemmte Fremdkörper und setzen Sie die Benutzung fort.
2. Wenn des Akkus sich überhitzt, wird der Staubsauger automatisch ausgeschaltet. Bitte warten Sie, bis sich die Temperatur des Akkus normalisiert hat, und setzen Sie erst dann die Benutzung fort.

Pflege und Wartung

Tipps:

1. Verwenden Sie stets Originalteile, um ein Erlöschen der Garantie zu vermeiden.
2. Falls der Filter oder die Düse verstopft sind, wird der Staubsauger kurz nach Einschalten den Betrieb einstellen. Um die Funktion wiederherzustellen, müssen Sie den Filter oder die Düse reinigen.
3. Wenn Sie den Staubsauger über einen längeren Zeitraum nicht benutzen, laden Sie ihn vollständig auf, trennen Sie das Ladegerät ab, nehmen Sie den Akku heraus und bewahren Sie ihn an einem kühlen Ort mit geringer Luftfeuchtigkeit und ohne direkte Sonneneinstrahlung auf. Laden Sie den Akku mindestens alle drei Monate auf, um eine Überentladung des Akkus zu vermeiden.

Reinigen des Staubsaugers

Reinigen Sie den Staubsauger mit einem weichen trockenen Tuch.

Reinigung des Staubbehälters, des Vorfilters und der Zyklon-Baugruppe

Trennen Sie vor dem Reinigen des Staubbehälters das Ladegerät ab und lassen Sie die Einschalttaste des Staubsaugers in der Aus-Position.

- Drücken Sie die Entriegelungstaste des

Staubbehälters und nehmen Sie ihn aus dem Gerät.

Abb. E-1

- Entfernen Sie zuerst den Vorfilter und drehen Sie danach das Zyklonsystem, um es herauszuheben.

Abb. E-2

- Entleeren Sie den Staubbehälter.

Abb. E-3

- Spülen Sie das Zyklonsystem, den Vorfilter und den Staubbehälter gründlich aus, bis sie sauber sind. Nach dem Spülen mindestens 24 Stunden

lang an der Luft trocknen lassen.

Abb. E-4

Hinweis:

- Es wird empfohlen, den Staubbehälter nach dem Gebrauch zu reinigen.
- Es wird empfohlen, das Zyklonsystem und den Vorfilter mindestens einmal alle 3 bis 4 Monate zu reinigen.

Installation des Staubbehälters, des Vorfilters und der Zyklon-Baugruppe

- Setzen Sie die Zyklonbaugruppe und den Vorfilter in den Staubbehälter ein.

Abb. E-5

- Neigen Sie den Staubbehälter leicht, so dass der Schlitz mit dem Clip am Staubsauger ausgerichtet ist. Schieben Sie den Staubbehälter dann vorsichtig hinein, bis er einrastet.

Abb. E-6

Reinigung des -Filter

Der -Filter sollte alle 4 bis 6 Monate ausgetauscht werden.

- Entfernen Sie den Staubbehälter wie in der Abbildung dargestellt.

Abb. E-7

- Entfernen Sie den -Filter aus dem Staubsauger, indem Sie ihn in die in der Abbildung gezeigten Richtung nach unten ziehen.

Abb. E-8

- Drehen Sie den Filter um 360°, um ihn zu spülen. Klopfen Sie mehrmals leicht auf den Filter, um eventuell gebliebene Verunreinigungen zu entfernen.

Abb. E-9

Hinweis:

- Säubern Sie den Filter ausschließlich mit sauberem Wasser. Verwenden Sie keine Reinigungsmittel.
- Versuchen Sie nicht, den -Filter mit einer Bürste oder einem Finger zu reinigen.

- Lassen Sie den -Filter mindestens 24 Stunden lang gründlich trocknen.

Abb. E-10

Installation des Filters

- Setzen Sie den -Filter in den Staubsauger ein und drücken Sie ihn vorsichtig nach unten, wie in der Abbildung gezeigt.

Abb. E-11

- Installation des Staubbehälters.

Abb. E-12

Auswechseln des Akkupacks

Der Staubsauger enthält einen herausnehmbaren, wiederaufladbaren Lithium-Ionen-Akku, der eine begrenzte Anzahl von Ladezyklen hat. Nach längerem Gebrauch kann es geschehen, dass der Akku keine Ladung mehr hält. Wenn dies geschieht, bedeutet dies, dass der Akku das Ende seiner Lebensdauer erreicht hat und ersetzt werden muss.

- Drücken Sie den Entriegelungsknopf des Akkus nach unten und schieben Sie den Akku, wie in der Abbildung gezeigt, nach rechts, um ihn zu entfernen.

- Installation des neuen Akkus.

Abb. E-13

Mehrflächenbürste reinigen

- Drehen Sie das Schloss gegen den Uhrzeigersinn, bis es stoppt, und entfernen Sie dann die rolle.

Abb. E-14

- Schneiden Sie mit einer Schere die Haare und Fasern ab, die auf die bürstenrolle hängen bleiben. Wischen Sie den Staub von der Kerbe und dem transparenten

Deckel mit einem trockenen Tuch oder Papiertuch ab. Vor Gebrauch gründlich trocknen.

Abb. E-15

- Falls sie verschmutzt ist, spülen Sie den Bürstenkopf mit sauberem Wasser ab, bis er sauber ist.

Abb. E-16

- Stellen Sie den Bürstenkopf für mindestens 24 Stunden aufrecht hin, bis er vollständig trocken ist.

Abb. E-17

Motorisierte Mini-Bürste reinigen

- Drehen Sie mit Hilfe einer Münze die Verriegelung gegen den Uhrzeigersinn bis zum Klick.

Abb. E-18

- Nach dem Entriegeln der motorisierten Mini-Bürste, entfernen Sie die Bürstenrolle, dann abspülen und reinigen Sie sie.

Abb. E-19

- Stellen Sie die Bürstenrolle mindestens 24 Stunden lang an einem gut belüfteten Ort aufrecht, bis sie vollständig trocken ist.

Abb. E-20

- Sobald die Bürstenrolle trocken ist, setzen Sie sie wieder ein, indem Sie den Demontageschritten in umgekehrter Reihenfolge folgen.

Abb. E-21

Motorisierte Mini-Bürste	
Modell	VPA1
Bemessungsleistung	20 W
Nennspannung	25,2 V ===
Ladegerät	
Modell	ZD012M300065EU
Eingang	100-240 V~ 50/60 Hz 0,5 A
Ausgang	30 V === 0,65 A
Durchschnittliche aktive Effizienz	85,36%
Effizienz bei geringer Belastung (10%)	75,35%
Nulllast-Leerlaufleistung	0,1 W
Wiederaufladbarer Lithium-Ionen-Akku	
Modell	V2316-7S1P-SCA
Nennspannung	25,2 V ===
Sollkapazität	2500 mAh
Nennkapazität	2300 mAh
Energie	57,96 Wh

Specifications

Staubsauger	
Modell	VPV11A
Bemessungsleistung	370 W
Nennspannung	25,2 V ===
Ladedauer	ca. 4 Stunden
Mehrflächenbürste	
Modell	VMB9
Bemessungsleistung	40 W
Nennspannung	25,2 V ===

Falls der Staubsauger nicht korrekt funktionieren sollte, beachten Sie bitte die folgende Tabelle, um eine Problemlösung zu finden.

Fehler	Mögliche Ursachen	Lösungen
Der Staubsauger funktioniert nicht.	Der Akku ist leer oder fast leer.	Laden Sie den Staubsauger vollständig auf und versuchen Sie es erneut.
	Durch eine Blockade wurde der Überhitzungsschutz ausgelöst.	Warten Sie, bis der Staubsauger abgekühlt ist und versuchen Sie es dann erneut.
	Die Saugöffnung oder der Strömungsweg ist blockiert.	Befreien Sie die Ansaugöffnung oder den Strömungsweg von etwaigen Hindernissen.
Die Saugleistung ist reduziert.	Der Staubbehälter ist voll und/oder der Filter ist verstopft.	Leeren Sie das Staubfach und reinigen Sie die -Filtereinheit.
	Das Zubehörteil ist blockiert.	Entfernen Sie Blockaden vom Zubehörteil.
Der Motor gibt ein merkwürdiges Geräusch ab.	Die Hauptsaugöffnung oder das Verlängerungsrohr sind verstopft.	Entfernen Sie Verstopfungen aus der Hauptsaugöffnung oder dem Verlängerungsrohr.
Die Akkuanzeige leuchtet beim Aufladen des Staubsaugers durchgehend rot.	Der Akku ist beschädigt.	Wenden Sie sich bitte an den Kundendienst, um eine Wartung zu veranlassen.
Die Akkuanzeige blinkt nach dem Einschalten des Staubsaugers rot.	Die Motortemperatur ist zu hoch. / Die Walzenbürste ist blockiert. / Der Luftkanal ist verstopft.	Überprüfen Sie diese Teile sorgfältig nacheinander.
Die Akku-Anzeige leuchtet während des Ladevorgangs nicht auf.	Das Ladegerät ist nicht mit dem Staubsauger verbunden.	Vergewissern Sie sich, dass das Ladegerät richtig eingesteckt ist.
	Der Akku ist vollständig geladen und ist in den Energiesparmodus gewechselt.	Der Staubsauger kann normal benutzt werden.
	Falls das Problem fortbesteht, nachdem Sie diese zwei Möglichkeiten ausgeschlossen haben,	Wenden Sie sich bitte an den Kundendienst, um Hilfe zu erhalten.
Der Akku wird nur langsam geladen.	Die Temperatur des Akkus ist zu hoch oder zu niedrig.	Warten Sie, bis die Akkutemperatur sich normalisiert hat und setzen Sie dann die Benutzung fort.
Die LED-Leuchten der Multiflächenbürste funktionieren nicht.	Die LED-Leuchten sind beschädigt.	Wenden Sie sich bitte an den Kundendienst, um Hilfe zu erhalten.

- Der Lithium-Ionen-Akku enthält umweltgefährdende Stoffe. Bevor der Staubsauger entsorgt wird, muss zunächst der Akku entfernt werden, anschließend muss in Übereinstimmung mit den lokalen Gesetzen und Vorschriften des Landes oder der Region, in dem er benutzt wurde, eine Entsorgung oder Wiederverwertung stattfinden.
- Das Gerät muss beim Entfernen der Batterie vom Netzteil getrennt werden. Wahren Sie die Batterien außerhalb der Reichweite von Kindern auf. Legen Sie niemals Batterien in den Mund. Wenn Sie verschluckt werden, wenden Sie sich an Ihren Arzt oder die örtliche Giftkontrolle.
- Kommen Sie unter missbräuchlichen Bedingungen niemals die Batterie in Berührung, aus der die Flüssigkeit ausgeworfen wird. Wenn die Berührung versehentlich auftritt, spülen Sie mit Wasser ab. Wenn die Flüssigkeit mit den Augen in Berührung kommt,

suchen Sie sofort ärztliche Hilfe auf. Die aus der Batterie ausgestoßene Flüssigkeit kann Reizungen oder Verbrennungen verursachen.

WEEE-Informationen



Alle mit diesem Symbol gekennzeichneten Produkte sind Elektroschrott und Elektrogeräte (WEEE entsprechend EU-Richtlinie 2012/19/EU) und dürfen nicht mit unsortiertem Haushaltsmüll vermischt werden. Schützen Sie stattdessen Ihre Mitmenschen und die Umwelt, indem Sie Ihre zu entsorgenden Geräte an eine dafür vorgesehene, von der Regierung oder einer lokalen Behörde eingerichtete Sammelstelle zum Recycling von Elektroschrott und Elektrogeräten bringen. Eine ordnungsgemäße Entsorgung und Recycling helfen, negative Auswirkungen auf die Gesundheit von Umwelt und Menschen zu vermeiden. Wenden Sie sich bitte an den Installateur oder lokale Behörden, um Informationen zum Standort und den allgemeinen Geschäftsbedingungen solcher Sammelstellen zu erhalten.

Entsorgung von Elektro- und Elektronikgeräten



Die durchgestrichene Mülltonne bedeutet, dass Sie gesetzlich verpflichtet sind, diese Geräte einer vom unsortierten Siedlungsabfall getrennten Erfassung zuzuführen. Die Entsorgung über die Restmülltonne oder die gelbe Tonne ist untersagt. Enthalten die Produkte Batterien oder Akkus, die nicht fest verbaut sind, müssen diese vor der Entsorgung entnommen und getrennt als Batterie entsorgt werden.

Möglichkeiten der Rückgabe von Altgeräten

Besitzer von Altgeräten können diese im Rahmen der durch öffentlich-rechtlichen Entsorgungsträger eingerichteten und zur Verfügung stehenden Möglichkeiten der Rückgabe oder Sammlung von Altgeräten abgeben, damit eine ordnungsgemäße Entsorgung der Altgeräte sichergestellt ist. Unter dem folgenden Link besteht die Möglichkeit, sich ein Onlineverzeichnis der Sammel- und Rücknahmestellen anzuzeigen zu lassen: <https://www.ear-system.de/ear-verzeichnis/sammel-und-ruecknahmestellen>.

Datenschutz

Wir weisen alle Endnutzer von Elektro- und Elektronikaltgeräten darauf hin, dass Sie für das Löschen personenbezogener Daten auf den zu entsorgenden Altgeräten selbst verantwortlich sind.

Consignes de sécurité

Veillez lire attentivement ce manuel avant toute utilisation et le conserver pour pouvoir le consulter ultérieurement afin d'éviter les accidents, notamment les chocs électriques ou les incendies causés par une mauvaise utilisation.

Avertissement

- Cet appareil peut être utilisé par des enfants à partir de 8 ans et par des personnes ayant des capacités physiques, sensorielles ou mentales réduites ou un manque d'expérience et de connaissances à condition qu'elles aient été placées sous surveillance ou qu'elles aient reçu des instructions concernant l'utilisation de l'appareil en toute sécurité et qu'elles comprennent les dangers encourus.
- L'aspirateur n'est pas un jouet. Les enfants ne doivent pas jouer avec ce produit ou l'utiliser. Soyez vigilant lorsque vous utilisez ce produit à proximité d'enfants. Les enfants ne sont pas autorisés à nettoyer ou à entretenir l'aspirateur sans la surveillance d'un parent ou d'un adulte.
- N'utilisez pas l'aspirateur à l'extérieur sur des surfaces mouillées. Utilisez-le uniquement sur des surfaces sèches à l'intérieur. Ne touchez pas la prise ou toute partie de l'aspirateur avec des mains mouillées.
- Vérifiez que la batterie au lithium et l'adaptateur de charge ne sont pas endommagés avant utilisation afin de réduire le risque d'incendie, d'explosion ou de blessure. N'utilisez pas l'aspirateur si l'un de ces éléments est endommagé.
- La brosse pour sol multi-surfaces, la brosse à rouleau souple, la mini-brosse motorisée, la batterie, la broche de connecteur métallique et l'aspirateur sont électroconducteurs et ne doivent pas être plongés dans l'eau ou d'autres liquides. N'oubliez pas de sécher tous les filtres après les avoir nettoyés.
- Évitez les blessures liées aux pièces mobiles. Éteignez l'aspirateur avant de nettoyer la brosse pour sol multi-surfaces et la brosse à rouleau souple. La brosse pour sol multi-surfaces, la brosse à rouleau souple, le bac à poussière et le filtre doivent tous être correctement installés avant d'utiliser l'aspirateur.
- Utilisez uniquement l'adaptateur de charge d'origine. N'utilisez jamais d'adaptateur d'une autre marque, car la batterie au lithium pourrait prendre feu.
- N'utilisez pas l'aspirateur pour aspirer des liquides inflammables ou combustibles, comme de l'essence, ou de l'eau de javel, de l'ammoniaque, des nettoyants pour canalisations ou tout autre liquide.
- N'utilisez pas l'aspirateur pour aspirer des particules de plâtre, des cendres ou des matériaux de combustion ou des substances fumigènes, tels que du charbon, des mégots de cigarette ou des allumettes.
- N'utilisez pas l'aspirateur pour aspirer des objets durs ou pointus, comme du verre, des clous, des vis ou des pièces de monnaie sous peine d'endommager l'appareil.
- Éloignez les cheveux, les vêtements amples, les doigts et les autres parties du corps des pièces mobiles et des ouvertures de l'aspirateur. Ne dirigez pas la tige d'extension, le tube ou les outils vers les yeux ou les oreilles, ou ne les mettez pas dans la bouche.
- Ne placez aucun objet dans les orifices de l'aspirateur. N'utilisez pas l'aspirateur en cas d'obstruction d'un des orifices. Retirez la poussière, les peluches, les cheveux ou tout autre élément susceptible de réduire le flux d'air.
- Ne placez pas l'aspirateur contre une chaise, une table ou toute surface instable sous peine d'endommager l'appareil ou de vous blesser. Si l'aspirateur est endommagé ou fonctionne mal en raison d'une chute, contactez notre service

- après-vente agréé. Ne tentez jamais de démonter l'appareil vous-même.
- Toutes les instructions du manuel relatives à la recharge de la batterie doivent être suivies scrupuleusement. Vous pourriez endommager la batterie si vous ne la chargez pas dans la plage de températures spécifiée.
- Utilisez uniquement des accessoires et pièces de rechange recommandés par le fabricant.
- Veillez à débrancher l'aspirateur lorsqu'il n'est pas utilisé pendant une période prolongée ou avant tout entretien ou toute réparation.
- Soyez extrêmement vigilant lorsque vous utilisez l'aspirateur pour nettoyer un escalier.
- Ce produit ne doit pas être installé, chargé ou utilisé à l'extérieur, dans une salle de bains ou autour d'une piscine.
- Avertissement sur le risque d'incendie : N'appliquez aucun parfum dans le filtre de l'aspirateur. L'appareil pourrait prendre feu, car ces types de produits sont connus pour contenir des produits chimiques inflammables.
- Utilisez uniquement le chargeur d'origine (modèle ZD012M300065EU). Si cette consigne n'est pas respectée, la batterie lithium-ion risque de prendre feu.
- Utilisez uniquement le type de batterie approuvé (modèle V2316-7S1P-SCA). Si cette consigne n'est pas respectée, la batterie lithium-ion risque de prendre feu.
- Si le matériau de la batterie fuit, éloignez le personnel de la zone jusqu'à ce que les batteries refroidissent et que les fumées se dissipent.
- Assurer une ventilation maximale pour dissiper les gaz dangereux et éviter le contact avec la peau et les yeux ou l'inhalation des vapeurs.
- Enlever le liquide répandu avec un absorbant et incinérer les déchets.
- Ne pas l'utiliser ni le déposer dans des environnements extrêmement chauds ou froids (en dessous de 0°C /32°F ou au-dessus de 40°C /104°F). Chargez à une température entre 0°C et 40°C en utilisant l'adaptateur d'alimentation d'origine.
- Ce produit est conçu pour une utilisation domestique uniquement.
- Les bornes d'alimentation ne doivent pas être court-circuitées.

Symboles



Lire le manuel de l'opérateur



Unité d'alimentation amovible

Par la présente, Dreame Trading (Tianjin) Co., Ltd., déclare que cet équipement est conforme aux directives et normes européennes applicables, ainsi qu'à leurs amendements. L'intégralité de la déclaration de conformité pour l'UE est disponible à l'adresse suivante: <https://global.dreame.tech.com>

Pour obtenir un manuel électronique détaillé, rendez-vous sur le site <https://global.dreame.tech.com/pages/user-manuals-and-faqs>

Accessoires

1. Tige de rallonge
 2. Outil combiné
 3. Chargeur
 4. Brosse multi-surfaces
 5. Boîtier à fixation murale (Vis x 2, prise murale x2 fournies)
 6. Mini-brosse motorisée
- Fig. A**

Nom du composant


1. Bouton d'alimentation (Appuyez pour activer/Relâchez pour désactiver)
2. Indicateur d'état du niveau d'aspiration turbo : Médium : éco
3. Bouton de niveau d'aspiration 
4. Compartiment à poussière
5. Bouton de déverrouillage de compartiment à poussière
6. Brosse multi-surfaces
7. Contact antistatique
8. Indicateur du restant de la batterie
9. Bouton de déverrouillage de la batterie
10. Port de recharge
11. Bouton de déblocage de la tige d'extension
12. Tige de rallonge
13. Bouton de libération de brosse

Fig. B

Rappel : Photo non contractuelle, veuillez vous référer aux objets concrets.

Installation

- Installation d'aspirateurs et d'accessoires **Fig. C-1**
- Installation du support mural

L'emplacement du boîtier à fixation murale doit être dans un endroit frais et sec avec une alimentation électrique à proximité, et assurez-vous qu'il n'y a pas d'installations telles que des fils ou des tuyaux justes derrière la zone d'installation.

1. Avant l'installation, prenez une mesure du mur à une hauteur de 102 cm (40,2 pouces) au-dessus du sol.
2. Utilisez un outil électrique avec un foret de 8 mm (0,315 inch) pour faire un trou et placez le tube d'expansion dans le trou.
3. Alignez les trous de montage du boîtier à fixation murale avec les trous sur le mur et fixez-le au mur avec des vis.

Fig. C-2

Fonctionnement

Recharge

- Connexion du chargeur au support mural
 1. Faites pivoter la boucle mobile au-dessous du boîtier de 90° dans le sens antihoraire pour la retirer.
 2. Insérez le cordon d'alimentation de l'adaptateur à partir de l'extrémité rainurée de la boucle.
 3. Tournez de 90° dans le sens des aiguilles d'une montre pour verrouiller la boucle.

Fig. D-1

- Placez l'aspirateur sur le support mural et branchez l'adaptateur sur le port de charge.

Fig. D-2

- Indicateur du restant de la batterie

Fig. D-3

Recharge

- Entièrement chargée
- ☀ Recharge

Décharge

- restant de batterie ≥ 10%
- ☀ restant de batterie < 10%
- Blanc fixe ☀ Blanc clignotant ● Arrêt

Remarque :

1. L'aspirateur ne peut pas être utilisé pendant la charge.
2. Chargez entièrement la batterie de l'aspirateur avant la première utilisation. Cela prendra environ 4 heures.
3. L'aspiration en mode Turbo pendant

une période prolongée peut entraîner la surchauffe de la batterie, ce qui augmente le temps de charge. Laissez l'aspirateur refroidir pendant 30 minutes avant de le charger.

Méthode de fonctionnement

Maintenez le bouton d'alimentation enfoncé pour démarrer l'appareil, et relâchez le bouton pour l'arrêter immédiatement.

Fig. D-4

Réglage du niveau d'aspiration

Appuyez brièvement pour sélectionner entre les modes éco, moyen et turbo.

Fig. D-5

Utilisation des différents accessoires

- Brosse multi-surfaces
 - Lors de l'utilisation sur des tapis de jeu pour bébé, des tapis ou pour aspirer des grains de café, du maïs soufflé et d'autres pellets, allumez l'interrupteur sur la brosse.
 - Pour aspirer sur le carrelage, les planchers en bois ou autres surfaces dures, éteignez l'interrupteur.
- Fig. D-6**
- Remarque :
- La brosse multi-surfaces peut être fixée directement à l'aspirateur.
1. Lorsque l'appareil démarre, les lumières devant la brosse à rouleau s'allumeront automatiquement, ce qui est pratique à l'utilisation.

- Outil combiné

Adapté à l'aspiration dans les fentes, les coins des portes et fenêtres, les escaliers et tout autre endroit difficile d'accès.

Fig. D-7

- Mini-brosse motorisée

Pour l'aspiration de poussière, poils d'animaux et autres résidus tenaces sur des canapés, linges de lit et autres surfaces en tissu.

Remarque : il n'est pas recommandé de passer l'aspirateur sur les surfaces

qui accrochent, comme la soie.

Fig. D-8

Remarque :

1. Si un pièce rotative se coince, l'aspirateur est susceptible de s'éteindre automatiquement. Retirez tout objet coincé dans l'aspirateur, puis poursuivez votre utilisation.
2. Quand la batterie surchauffe en fonctionnement, l'aspirateur s'éteint automatiquement. Attendez que la température de la batterie revienne à un niveau normal, puis poursuivez votre utilisation.

Entretien et maintenance

Astuces :

1. Utilisez toujours des pièces d'origine, faute de quoi la garantie pourrait être annulée.
2. En cas d'obstruction du filtre ou du bec, l'aspirateur s'arrête de fonctionner peu après avoir été mis sous tension. Nettoyez le filtre ou le bec afin de rétablir son fonctionnement.
3. Si l'aspirateur n'est pas utilisé pendant une longue période, débranchez le chargeur, retirez la batterie et rangez-le dans un endroit frais, à faible humidité et à l'abri de la lumière du soleil. Pour éviter de trop décharger la batterie, rechargez la batterie au moins une fois tous les trois mois.

Nettoyage de l'aspirateur

Essuyez l'aspirateur avec un chiffon doux et sec.

Nettoyage du compartiment à poussière, du préfiltre et de l'ensemble cyclone

Avant de nettoyer le bac à poussière, débranchez le chargeur et laissez le bouton d'alimentation de l'aspirateur sur la position d'arrêt.

- Appuyez sur le bouton de déverrouillage du compartiment à poussière et retirez-le de l'aspirateur.

Fig. E-1

- Retirez d'abord le préfiltre, puis faites pivoter le système cyclonique pour le soulever.

Fig. E-2

- Videz le compartiment à poussière.

Fig. E-3

- Rincez l'unité cyclonique, le préfiltre et le compartiment à poussière jusqu'à ce qu'ils soient propres. Après le lavage, laissez sécher à l'air pendant au moins 24 heures.

Fig. E-4

Remarque :

- Il est recommandé de nettoyer le compartiment à poussière immédiatement après utilisation.
- Il est recommandé de nettoyer le système cyclone et le préfiltre au moins une fois tous les 3 à 4 mois.

Installation du compartiment à poussière, du préfiltre et de l'ensemble cyclone

- Installez l'unité cyclonique et le préfiltre dans le compartiment à poussière.

Fig. E-5

- Inclinez légèrement le compartiment à poussière pour que son encoche soit alignée avec le clip sur l'aspirateur. Enfoncez délicatement le compartiment à poussière jusqu'à entendre un déclic.

Fig. E-6

Nettoyage du filtre

Il est recommandé de nettoyer le filtre tous les 4 à 6 mois.

- Retirez le compartiment à poussière comme illustré sur le schéma.

Fig. E-7

- Retirez le filtre de l'aspirateur en tirant dessus, dans la direction indiquée sur le schéma.

Fig. E-8

- Rincez le filtre en le faisant pivoter à 360°. Tapotez légèrement sur le filtre plusieurs fois pour éliminer les débris qui y sont coincés.

Fig. E-9

Remarque :

- Pour nettoyer le filtre, n'utilisez que de l'eau claire. N'utilisez pas de détergents.
- N'essayez pas de nettoyer le filtre avec une brosse ou vos doigts.

- Laissez le filtre sécher complètement pendant au moins 24 heures.

Fig. E-10

Installation du filtre

- Insérez le filtre dans l'aspirateur et enfoncez-le délicatement, comme indiqué sur le schéma.

Fig. E-11

- Réinstallez le compartiment à poussière.

Fig. E-12

Remplacement de la batterie

L'aspirateur contient une batterie lithium-ion rechargeable disposant d'un nombre limité de cycles de charge. Après un usage prolongé, la batterie est susceptible de se décharger rapidement. Si c'est le cas, cela signifie que la batterie est arrivée au bout de sa durée de vie et doit être remplacée.

- Appuyez sur le bouton de déverrouillage de la batterie et faites-la glisser vers la droite pour la retirer, comme illustré sur le schéma.

- Installez la nouvelle batterie.

Fig. E-13

Nettoyage de la brosse multi-surfaces

- Tournez le verrou dans le sens inverse des aiguilles d'une montre jusqu'à ce qu'il s'arrête, puis retirez le rouleau de la brosse à rouleau.

Fig. E-14

- Utilisez des ciseaux pour couper les poils et les fibres qui restent coincés

sur le rouleau. Essayez la poussière de l'encoche et du couvercle transparent avec un chiffon sec ou une serviette en papier. Séchez-les soigneusement avant de les utiliser.

Fig. E-15

- Lorsqu'elle est sale, rincez la tête de la brosse avec de l'eau propre jusqu'à ce qu'elle soit propre.

Fig. E-16

- Maintenez la tête de la brosse en position verticale pendant au moins 24 heures jusqu'à ce qu'elle soit complètement sèche.

Fig. E-17

Nettoyage de la mini-brosse motorisée

- Utilisez une pièce de monnaie pour faire tourner le verrou dans le sens inverse des aiguilles d'une montre jusqu'à entendre un déclic.

Fig. E-18

- Après avoir déverrouillé la mini-brosse motorisée, retirez le rouleau, puis rincez-la et nettoyez-la.

Fig. E-19

- Placez le rouleau en position verticale dans un endroit bien ventilé pendant au moins 24 heures, jusqu'à ce qu'elle soit complètement sèche.

Fig. E-20

- Une fois que le rouleau est sèche, réinstallez-la en suivant les étapes de démontage en sens inverse.

Fig. E-21

Brosse multi-surfaces	
Modèle	VMB9
Puissance nominale	40 W
Tension nominale	25,2 V ===
Mini-brosse motorisée	
Modèle	VPA1
Puissance nominale	20 W
Tension nominale	25,2 V ===
Chargeur	
Modèle	ZD012M300065EU
Entrée	100-240 V~ 50/60 Hz 0,5 A
Sortie	30 V=== 0,65 A
Efficacité active moyenne	85,36%
Efficacité à faible charge (10%)	75,35%
Consommation d'énergie sans charge	0,1 W
Batterie rechargeable lithium-ion	
Modèle	V2316-7S1P-SCA
Tension nominale	25,2 V ===
Capacité nominale	2500 mAh
Capacité de fonctionnement	2300 mAh
Énergie	57,96 Wh

Spécifications

L'aspirateur	
Modèle	VPV11A
Puissance nominale	370 W
Tension nominale	25,2 V===
Temps de Charge	environ 4 heures

En cas de dysfonctionnement de l'aspirateur, consultez le tableau ci-dessous.

Erreurs	Causes possibles	Solutions
L'aspirateur ne fonctionne pas.	La batterie est déchargée ou faible.	Rechargez complètement l'aspirateur avant de commencer à le réutiliser.
	Déclenchement du mode Protection suite à une obstruction.	Attendez que l'aspirateur refroidisse, puis réactivez-le.
	L'orifice d'aspiration ou le conduit d'air est obstrué.	Retirez les débris susceptibles de bloquer l'orifice d'aspiration ou le conduit d'air.
La puissance d'aspiration est affaiblie.	Le compartiment à poussière est rempli et/ou le filtre est obstrué.	Videz le compartiment à poussière et nettoyez l'ensemble filtre.
	L'accessoire est obstrué.	Retirez les débris susceptibles d'obstruer l'accessoire.
Le moteur fait un bruit anormal.	L'orifice d'aspiration principal ou la tige de rallonge est obstruée.	Retirez les débris susceptibles de bloquer l'orifice d'aspiration principal ou la tige de rallonge.
L'indicateur de batterie est rouge fixe lorsque l'aspirateur est en charge.	La batterie est endommagée.	Contactez le service après-vente pour assurer la maintenance.
L'indicateur de batterie clignote en rouge après avoir démarré l'aspirateur.	La température du moteur est trop élevée. / La brosse en rouleau est bloquée. / Le conduit d'air est bouché.	Vérifiez ces pièces l'une après l'autre.
Le voyant de batterie ne s'allume pas lorsque l'aspirateur est en charge.	Le chargeur n'est pas connecté à l'aspirateur.	Assurez-vous que le chargeur est branché correctement.
	La batterie est complètement chargée et l'appareil est passé en mode veille.	L'aspirateur peut être utilisé normalement.
	Si le problème persiste après avoir éliminé les deux possibilités ci-dessus,	Contactez le service après-vente qui vous aidera.
La batterie charge lentement.	La température de la batterie est trop basse ou trop élevée.	Attendez que la température de la batterie revienne à un niveau normal, puis reprenez votre session de nettoyage.
Les lumières LED de la brosse pour multi-surfaces ne fonctionnent pas.	Les lumières LED sont endommagées.	Contactez le service après-vente qui vous aidera.

- La batterie lithium-ion contient des substances dangereuses pour l'environnement. Avant de mettre l'aspirateur au rebut, retirez d'abord la batterie pour la jeter ou la recycler conformément à la législation et à la réglementation locales du pays ou de la région dans lequel ou laquelle il est utilisé.
- L'appareil doit être débranché de l'alimentation électrique lors du retrait de la batterie. Gardez les piles hors de portée des enfants. Ne mettez jamais les piles dans la bouche. En cas d'ingestion, contactez votre médecin ou le centre antipoison local.

- Dans des conditions abusives, ne jamais entrer en contact avec la pile dont le liquide peut être éjecté. En cas de contact accidentel, rincez à l'eau. Si le liquide entre en contact avec les yeux, consultez immédiatement un médecin. Le liquide éjecté de la batterie peut provoquer des irritations ou des brûlures.

Informations DEEE



Tous les produits portant ce symbole deviennent des déchets d'équipements électriques et électroniques (DEEE dans la Directive européenne 2012/19/UE) qui ne doivent pas être mélangés aux déchets ménagers non triés. Vous devez contribuer à la protection de l'environnement et de la santé humaine en apportant l'équipement usagé à un point de collecte dédié au recyclage des équipements électriques et électroniques, agréé par le gouvernement ou les autorités locales. Le recyclage et la destruction appropriés permettront d'éviter tout impact potentiellement négatif sur l'environnement et la santé humaine. Contactez l'installateur ou les autorités locales pour obtenir plus d'informations concernant l'emplacement ainsi que les conditions d'utilisation de ce type de point de collecte.



Points de collecte sur www.quefairedemesdechets.fr
Privilégiez la réparation ou le don de votre appareil !

Importanti istruzioni disicurezza

Per evitare scosse elettriche, incendi e altre lesioni accidentali causate da un uso improprio, leggere attentamente questo manuale di istruzioni prima dell'uso.

Avvertenze

- Questo dispositivo non può essere utilizzato da persone con disabilità fisiche, sensoriali o intellettuali e da persone senza esperienza e conoscenza pertinenti, compresi i bambini, a meno che non vi sia supervisione o guida di un tutore per garantirne l'utilizzo sicuro.
- Ai bambini è vietato utilizzare o giocare con il dispositivo. Quando si utilizza il prodotto vicino a un bambino, è necessario prestare particolare attenzione; al bambino è vietato provvedere alla pulizia o alla manutenzione del dispositivo senza un tutore.
- Non utilizzare su superfici esterne o bagnate. Utilizzare solo su superfici interne asciutte. Non toccare la spina o qualsiasi parte del dispositivo con le mani bagnate.
- Verificare che la batteria al litio e il caricabatterie non siano danneggiati prima dell'uso. Per prevenire incendi, esplosioni o lesioni, non utilizzare l'aspirapolvere quando la batteria al litio o il caricabatterie sono danneggiati.
- La spazzola multi superficie, la spazzola a rullo morbida, la mini spazzola motorizzata, la batteria, il connettore metallico e l'aspiratore sono elettricamente conduttivi e non devono essere immersi in acqua o altri liquidi. Assicurarsi di asciugare tutti i filtri dopo la pulizia.
- Evitare le lesioni causate da parti in movimento. Spegnerne l'aspirapolvere prima di pulire la spazzola multi superficie e la spazzola a rullo morbida. La spazzola multi-superficie, la spazzola a rullo morbida, il vano della polvere e il filtro devono essere installati correttamente prima di utilizzare l'aspirapolvere.
- Utilizzare solo il caricabatterie originale, non utilizzare un adattatore non ufficiale, poiché ciò potrebbe provocare l'incendio della batteria al litio.
- Non utilizzare questa apparecchiatura per acqua, benzina e altri liquidi infiammabili o esplosivi, non inalare soluzioni tossiche come candeggina al cloro, ammoniaca, detersivi per fognature o altri liquidi.
- È vietato utilizzare questo aspirapolvere per pulire la polvere di cartongesso, la brace del camino e la cenere e astenersi dall'inalare il fumo o bruciare materiali come carbone, mozziconi di sigaretta o fiammiferi. È vietato utilizzare l'aspirapolvere per pulire oggetti appuntiti come vetro, chiodi, viti, monete, altrimenti danneggerà l'aspirapolvere.
- Non utilizzare l'aspirapolvere per raccogliere oggetti duri o taglienti, come vetro, unghie, viti o monete, che potrebbero danneggiarlo.
- Tenere capelli, indumenti larghi, dita e altre parti del corpo lontano dalle aperture e dalle parti mobili dell'aspirapolvere. Non puntare l'asta di prolunga, la bacchetta o gli strumenti verso gli occhi o le orecchie e non metterli in bocca.
- Non posizionare oggetti sul boccaglio. È vietato bloccare la bocca di aspirazione quando si utilizza l'aspirapolvere. Polvere, cotone idrofilo, capelli o altri oggetti possono indebolire il flusso d'aria. Pulirlo per tempo.
- Non posizionare l'aspirapolvere sulla sedia, sul tavolo da pranzo e su altre superfici instabili per evitare danni all'aspirapolvere o danni all'utente. Quando l'aspirapolvere è rotto, danneggiato o funziona in modo anomalo, contattare il Servizio di Assistenza ufficiale autorizzata per lo smaltimento.
- Caricare la batteria rispettando scrupolosamente le istruzioni contenute nel

manuale. Se non viene caricata correttamente entro l'intervallo di temperatura specificato, la batteria potrebbe danneggiarsi.

- Usa solo accessori e parti di ricambio consigliati dal produttore.
- Scollegare l'unità per lunghi periodi di tempo e prima della manutenzione o della riparazione.
- Prestare particolare attenzione quando si utilizza la pulizia del prodotto.
- Non installare, caricare o utilizzare il dispositivo all'aperto, in bagno o in piscina.
- Avviso di pericolo di incendio, non applicare alcun prodotto aromatico al filtro di questo prodotto, poiché i prodotti chimici in tali prodotti sono infiammabili e causano l'incendio del prodotto.
- Utilizzare esclusivamente il caricabatterie originale (modello ZD012M300065EU). In caso contrario, la batteria agli ioni di litio potrebbe prendere fuoco.
- Utilizzare esclusivamente il tipo di batteria approvato (modello V2316-7S1P-SCA). In caso contrario, la batteria agli ioni di litio potrebbe prendere fuoco.
- Se si verifica una fuoriuscita del materiale delle batterie, evacuare il personale dall'area fino a quando le batterie non si sono raffreddate e i fumi dispersi.
- Assicurare la massima ventilazione per eliminare i gas nocivi ed evitare il contatto con la pelle e gli occhi o l'inalazione dei vapori.
- Rimuovere il liquido fuoriuscito con materiale assorbente e incenerire i rifiuti.
- Non utilizzare o conservare il prodotto in ambiente estremamente caldo o freddo (inferiore a 0°C / 32°F o superiore a 40°C / 104°F). Utilizzare l'adattatore di alimentazione originale per la ricarica a temperatura tra 0°C e 40°C .
- Il prodotto è progettato esclusivamente per uso domestico.
- I terminali di alimentazione non devono essere messi in cortocircuito.

Simboli



Leggi il manuale dell'operatore



Unità di alimentazione staccabile

Con la presente, Dreame Trading (Tianjin) Co., Ltd. dichiara che questo apparecchio è conforme alle direttive applicabili e alle norme europee, nonché ai relativi emendamenti. Il testo completo della dichiarazione di conformità UE è disponibile al seguente indirizzo Internet: <https://global.dreameotech.com>

Per un manuale elettronico dettagliato, per favore visita <https://global.dreameotech.com/pages/user-manuals-and-faqs>.

Accessori

1. Prolunga
 2. Strumento combinato
 3. Caricabatterie
 4. Spazzola Multisuperficie
 5. Supporto fisso da parete (Compresa vite x2, spina a parete x2)
 6. Minispazzola Motorizzata
- Fig. A**

Nome componente

1. Pulsante di accensione (Premere per accendere/rilasciare per spegnere)
 2. Indicatore di stato del livello di aspirazione
Turbo : Med : Eco ·
 3. Pulsante del livello di aspirazione
☉
 4. Vano polvere
 5. Pulsante di rilascio del contenitore della polvere
 6. Spazzola Multisuperficie
 7. Contatto antistatico
 8. Indicatore di Stato della Batteria
 9. Pulsante di rilascio batteria
 10. Porta di ricarica
 11. pulsante di rilascio dell'asta di prolunga
 12. Prolunga
 13. Pulsante di Rilascio della Spazzola
- Fig. B**

Promemoria: La specifica è solo di riferimento, il reale aspetto si basa sull'oggetto.

Installation

- Installazione dell'aspirapolvere e degli accessori
- Figure. C-1**

- Installazione a parete

Il supporto fisso da parete deve essere collocato in un luogo fresco e asciutto nelle vicinanze di una presa elettrica e assicurarsi che non vi siano strutture

come fili o tubi direttamente dietro l'area di installazione.

1. Prima dell'installazione, misurare la parete all'altezza di 102 cm (40,2 pollici) da terra.
2. Utilizzare un trapano elettrico con una punta da 8 mm (0,315 inch) per eseguire i fori, posizionare il tassello a espansione nel foro.
3. Allineare i fori di montaggio del supporto fisso da parete con i fori nella parete e fissarlo alla parete con le viti.

Fig. C-2

Funzionamento

Carica

- Collegamento del caricabatterie al supporto a parete
 1. Rimuovere la fibbia mobile sul fondo del supporto fisso ruotandola di 90° in senso antiorario.
 2. Fissare le linee di alimentazione dell'adattatore dall'estremità scanalata della fibbia.
 3. Bloccare la fibbia ruotandola di 90° in senso orario.

Fig. D-1

- Collocare l'aspirapolvere sul supporto a parete e collegare l'adattatore alla porta di ricarica.

Fig. D-2

- Indicatore di Stato della Batteria

Fig. D-3

Ricarica

- Ricarica completata
- ☀ Ricarica

Scarico

- Livello Batteria ≥ 10%
- ☀ Livello Batteria < 10%

- Bianco fisso ☀ Bianco lampeggiante ● Spento

Nota:

1. Non è possibile utilizzare l'aspirapolvere mentre viene ricaricato.
2. Caricare completamente l'aspirapolvere prima di utilizzarlo per la prima volta. Occorreranno circa 4 ore.

3. L'aspirazione in modalità turbo per un periodo prolungato determina il riscaldamento della batteria, con conseguente aumento del tempo di ricarica. Lasciare raffreddare l'aspirapolvere per 30 minuti prima di caricarlo.

Metodo di lavoro

Tenere premuto il pulsante di accensione per avviare l'apparecchio e rilasciarlo per arrestarlo immediatamente.

Fig. D-4

Commutazione del livello di aspirazione

Premere brevemente per passare tra la modalità Eco, Med e Turbo.

Fig. D-5

Uso dei diversi accessori

- Spazzola Multisuperficie
 - Per pulire i tappeti per bambini o i normali tappeti o per aspirare chicchi di caffè, pop corn e simili, accendere l'interruttore sulla spazzola.
 - Quando si aspira su piastrelle, pavimenti in legno o altre superfici dure, spegnere l'interruttore.
- Fig. D-6**
- Nota:
1. La spazzola multisuperficie può essere collegata direttamente all'aspirapolvere.
 2. Quando l'apparecchio si avvia, le luci davanti al rullo della spazzola si accenderanno automaticamente, che è comodo per l'uso.
- Strumento combinato
Consente di aspirare in fessure, angoli di porte e finestre, scale e altri punti difficili da raggiungere.
- Fig. D-7**
- Minispazzola Motorizzata
Per aspirare sporco, peli di animali domestici e altri residui ostinati da divani, biancheria da letto e altre superfici in tessuto.
- Nota: Si raccomanda di non aspirare superfici facilmente impigliabili, come

la seta.

Fig. D-8

Nota:

1. Se una delle parti rotanti si blocca, l'aspirapolvere potrebbe spegnersi automaticamente. Eliminare eventuali corpi estranei intrappolati, quindi riprendere l'uso.
2. Quando della batteria si surriscalda, l'aspirapolvere si spegne automaticamente. Attendere che la temperatura della batteria torni alla normalità, quindi riprendere l'utilizzo.

Cura e manutenzione

Consigli:

1. usare sempre parti originali per evitare che la garanzia decada.
2. Se il filtro o l'ugello si intasa, l'aspiratore smette di funzionare poco dopo l'accensione. Per ripristinare il normale funzionamento, pulire il filtro o l'ugello.
3. Se l'aspirapolvere non viene utilizzato per un periodo prolungato, caricarlo completamente, scollegare il caricabatterie, rimuovere la batteria e conservarlo in un ambiente fresco e poco umido, lontano dalla luce solare diretta. Per evitare di scaricare eccessivamente la batteria, ricaricarla almeno una volta ogni tre mesi.

Pulizia dell'aspirapolvere

Strofinare con un panno morbido asciutto.

Pulizia del vano polvere, del pre-filtro e del sistema ciclonico

Prima di pulire il contenitore della polvere, scollegare il caricabatterie e tenere il pulsante di accensione dell'aspirapolvere in posizione off.

- Premere il pulsante di rilascio del contenitore della polvere e rimuoverlo dall'aspirapolvere.

Fig. E-1

Nota:

1. Si consiglia di pulire il contenitore della polvere dopo l'uso.
2. Si consiglia di pulire il sistema di ciclone e il pre-filtro almeno una volta ogni 3-4 mesi.

Installazione del vano polvere, del pre-filtro e del sistema ciclonico

- Installare il gruppo ciclone e il prefiltro nel contenitore della polvere.
Fig. E-5
- Inclinare leggermente il vano polvere in modo che il relativo alloggiamento risulti allineato al fermo dell'aspirapolvere. Quindi premere delicatamente il vano polvere finché non scatta in posizione.
Fig. E-6
- Rimuovere prima il prefiltro e poi ruotare il sistema ciclone per estrarlo.
Fig. E-2
- Svuotare il contenitore della polvere.
Fig. E-3
- Sciacquare il gruppo ciclone, il prefiltro e il contenitore della polvere finché non sono puliti. Dopo il lavaggio, asciugare all'aria per almeno 24 ore.
Fig. E-4

Pulizia del filtro

Si consiglia di pulire il filtro una volta ogni 4-6 mesi.

- Rimuovere il vano polvere come mostrato nella figura.
Fig. E-7
- Rimuovere il filtro dall'aspirapolvere tirandolo verso il basso nella direzione mostrata nella figura.
Fig. E-8
- Sciacquare il filtro ruotandolo di 360°. Picchiettare leggermente il filtro più volte per rimuovere eventuali detriti incastrati.
Fig. E-9

Nota:

1. Per pulire il filtro, utilizzare esclusivamente acqua pulita. Non

utilizzare detergenti.

2. Non tentare di pulire il filtro con una spazzola o con le dita.
- Lasciare asciugare completamente il filtro per almeno 24 ore.
Fig. E-10

Installazione del filtro

- Inserire il filtro nell'aspirapolvere, quindi premere delicatamente verso il basso, come illustrato.
Fig. E-11
- Reinstallare il vano polvere.
Fig. E-12

Sostituzione del gruppo batteria

L'aspirapolvere contiene una batteria ricaricabile agli ioni di litio rimovibile che dispone di un numero limitato di cicli di ricarica. Dopo un uso prolungato, la batteria potrebbe non mantenere più la carica. Se ciò si verifica, la batteria ha raggiunto la fine del ciclo di vita e deve essere sostituita.

- Premere il pulsante di rilascio della batteria e farla scorrere verso destra per rimuoverla.
- Installare la nuova batteria.
Fig. E-13

Pulizia della Spazzola Multisuperficie

- Ruota il blocco in senso antiorario fino all'arresto, quindi rimuovi il rullo dalla spazzola a rullo.
Fig. E-14
- Usa le forbici per tagliare i capelli e le fibre che rimangono bloccati sul rullo della spazzola. Pulisci la polvere dalla tacca e dal coperchio trasparente con un panno asciutto o un tovagliolo di carta. Asciuga accuratamente prima dell'uso.
Fig. E-15
- Quando è sporco, sciacquare la testina con acqua pulita fino a quando non è pulita.
Fig. E-16

- Metti la testina in posizione verticale per almeno 24 ore fino a quando non è completamente asciutta.

Fig. E-17

Pulizia della Mini Spazzola Motorizzata

- Usare una monetina per ruotare il blocco in senso antiorario finché non si sente un clic.
Fig. E-18
- Dopo aver sbloccato la minispazzola motorizzata, rimuovi il rullo della spazzola, quindi risciacqualo e puliscilo.
Fig. E-19
- Tieni il rullo della spazzola in posizione verticale in un'area ben ventilata per almeno 24 ore fino a quando non è completamente asciutto.
Fig. E-20
- Una volta che il rullo della spazzola è asciutto, reinstallalo seguendo i passi di smontaggio al contrario.
Fig. E-21

Tensione stimata	25,2 V ===
Caricabatterie	
Modello	ZD012M300065EU
Ingresso	100-240 V~ 50/60 Hz 0,5 A
Uscita	30 V === 0,65 A
Efficienza attiva media	85,36%
Efficienza a Basso Carico (10%)	75,35%
Consumo di Energia senza Carico	0,1 W
Batteria agli ioni di litio ricaricabile	
Modello	V2316-751P-SCA
Tensione nominale	25,2 V ===
Capacità nominale	2500 mAh
Capacità stimata	2300 mAh
Energia	57,96 Wh

Specifiche tecniche

Aspirapolvere	
Modello	VPV11A
Potenza stimata	370 W
Tensione stimata	25,2 V===
Tempo di ricarica	circa 4 ore
Spazzola Multisuperficie	
Modello	VMB9
Potenza stimata	40 W
Tensione stimata	25,2 V ===
Minispazzola Motorizzata	
Modello	VPA1
Potenza stimata	20 W

Se l'aspirapolvere non funziona correttamente, fare riferimento alla tabella di risoluzione dei problemi riportata di seguito.

Errori	Possibili cause	Soluzioni
L'aspirapolvere non funziona.	La batteria è completamente o quasi scarica.	Caricare completamente l'aspirapolvere, quindi riprendere l'uso.
	Modalità di protezione dal surriscaldamento attivata da un'ostruzione.	Attendere che l'aspirapolvere si raffreddi, quindi riattivarlo.
	La bocchetta di aspirazione o il passaggio dell'aria è ostruito.	Rimuovere le ostruzioni dalla bocchetta di aspirazione o dal passaggio dell'aria.
La potenza di aspirazione è diminuita.	Il vano polvere è pieno e/o il filtro è intasato.	Svuotare lo scomparto raccogli polvere e pulire il filtro.
	L'accessorio è ostruito.	Eliminare eventuali ostruzioni nell'accessorio.
Il motore emette un rumore strano.	La bocchetta di aspirazione principale o la prolunga è ostruita.	Rimuovere eventuali ostruzioni dalla bocchetta di aspirazione principale o dalla prolunga.
La spia della batteria è rosso fisso durante la carica dell'aspirapolvere.	La batteria è danneggiata.	Contattare il servizio di assistenza post-vendita per la manutenzione.
La spia della batteria lampeggia in rosso dopo l'accensione dell'aspiratore.	La temperatura del motore è troppo alta. / La spazzola a rullo è bloccata. / Il condotto dell'aria è ostruito.	Controllare queste parti a turno.
La spia della batteria non si accende durante la ricarica.	Il caricabatterie non è collegato all'aspirapolvere.	Assicurarsi che il caricabatterie sia collegato correttamente.
	La batteria è completamente carica e si è avviata la modalità di risparmio energia.	È possibile utilizzare l'aspirapolvere normalmente.
	Se il problema persiste dopo avere escluso le due situazioni indicate sopra,	Contattare il servizio post-vendita per ottenere assistenza.
La batteria si ricarica lentamente.	La temperatura della batteria è troppo bassa o troppo alta.	Attendere che la temperatura della batteria torni alla normalità, quindi riprendere l'utilizzo.
Le luci a LED della spazzola multisuperficie non funzionano.	Le luci a LED sono danneggiate.	Contattare il servizio post-vendita per ottenere assistenza.

- La batteria agli ioni di litio contiene sostanze pericolose per l'ambiente. Prima di gettare via l'aspirapolvere, rimuovere la batteria, quindi smaltirlo o riciclarlo in conformità alle leggi e alle normative locali del Paese o dell'area in cui viene utilizzato.
- L'apparecchio deve essere scollegato dall'alimentazione quando rimuovi la batteria. Tieni le batterie fuori dalla portata dei bambini. Non mettere mai le batterie in bocca. In caso di ingestione, contatta il tuo medico o il controllo antiveneni locale.

- In condizioni abusive, non contattare mai la batteria da cui potrebbe essere espulso il liquido. In caso di contatto accidentale, sciacqua con acqua. Se il liquido viene a contatto con gli occhi, consulta immediatamente un medico. Il liquido espulso dalla batteria può causare irritazioni o ustioni.

Informazioni RAEE



Tutti i prodotti contrassegnati da questo simbolo sono rifiuti di apparecchiature elettriche ed elettroniche (RAEE in base alla direttiva 2012/19/UE) che non devono essere smaltiti assieme a rifiuti domestici non differenziati. Al contrario, è necessario proteggere l'ambiente e la salute umana consegnando i rifiuti a un punto di raccolta autorizzato al riciclaggio di rifiuti di apparecchiature elettriche ed elettroniche, predisposto dalla pubblica amministrazione o dalle autorità locali. Lo smaltimento e il riciclaggio corretti aiutano a prevenire conseguenze potenzialmente negative all'ambiente e alla salute umana. Contattare l'installatore o le autorità locali per ulteriori informazioni sulla sede e per i termini e le condizioni di tali punti di raccolta.

Scatola	Manuale	Borsa	Pellicola	Adesivo	Maniglia	Etichetta
PAP 20	PAP 22	CPE 7	PET 1	PP 5	PP5	PAP 21
Carta	Carta	Plastica				Carta
RACCOLTA DIFFERENZIATA						
Verifica le disposizioni del tuo Comune. Separa le componenti e conferiscile in modo corretto.						

Instrucciones de seguridad importantes

Antes de utilizar este electrodoméstico, lea todas las instrucciones y etiquetas de advertencia incluidas en este manual y en la Máquina, para evitar descargas eléctricas, incendios y otras lesiones accidentales causadas por el uso incorrecto.

Advertencia

- Este aparato no puede ser utilizado por personas con limitaciones físicas, sensoriales o mentales, o sin experiencia y conocimiento (niños incluidos), a menos que sean supervisados y reciban instrucciones sobre el uso seguro de la máquina por parte de un adulto responsable de su seguridad y entiendan los riesgos que implicados.
- No permita que la máquina se utilice como un juguete, se debe vigilar a los niños para asegurarse de que no juegan con la máquina. Preste mucha atención si es utilizada cerca o por niños o se utiliza cerca de ellos. Se prohíbe que los niños realicen la limpieza y el mantenimiento de la máquina sin supervisión.
- Esta máquina está diseñada para uso doméstico exclusivamente. No la utilice en el exterior ni sobre superficies mojadas. No manipule ningún componente ni el enchufe con las manos mojadas.
- Revise la batería de litio y el cargador antes de usarlos. Para evitar incendios, explosiones o lesiones, no use la aspiradora cuando la batería de litio o el cargador estén dañados.
- El cepillo multisuperficies, cepillo de rodillo suave, minicepillo motorizado, batería, pin conector metálico y la aspiradora son conductores de electricidad y no deben ser sumergidos en agua ni otro líquido. Asegúrese de secar todos los filtros después de su limpieza.
- Evite lesiones causadas por piezas móviles. Apague la aspiradora antes de limpiar el cepillo multisuperficies y el cepillo de rodillo suave. El cepillo mutisuperficies, el cepillo de rodillo suave, el compartimento para el polvo y el filtro deben estar instalados correctamente antes de utilizar la aspiradora.
- Use solo el cargador original, no use un adaptador no oficial, ya que otro tipo de cargador puede provocar que la batería de litio se incendie.
- No utilice la aspiradora para recoger agua, ni para aspirar gasolina u otros líquidos inflamables o explosivos. No recoja líquido tóxico como cloro, amoníaco, limpiadores de alcantarillas u otros.
- Está prohibido usar esta aspiradora para limpiar polvo sobre paneles de yeso, cenizas de chimenea y ceniza, no aspire nada que esté en llamas o desprenda humo como, por ejemplo, carbón, cigarrillos, cerillas o cenizas incandescentes. Está prohibido usar la aspiradora para limpiar objetos afilados como vidrio, clavos, tornillos, monedas, de lo contrario, dañará la aspiradora.
- No utilice el aspirador para recoger objetos afilados o duros, como vidrio, clavos, tornillos o monedas, que puedan dañar la máquina.
- Mantenga el pelo, ropa holgada, dedos y otras partes del cuerpo alejados de la abertura de la aspiradora y de las piezas móviles. No apunte con la barra de extensión, el tubo o las herramientas a los ojos o las orejas ni se las meta en la boca.
- No introduzca ningún objeto en las aberturas de la máquina. No utilice la máquina si alguna abertura está bloqueada; manténgalo limpio de polvo, pelusa, pelo o cualquier otra sustancia que pueda reducir el flujo de aire.
- No coloque la aspiradora sobre la silla, la mesa del comedor y otras superficies inestables para evitar daños a la aspiradora o daños al usuario. No utilice la

máquina si no funciona correctamente, ha recibido un golpe, se ha caído o ha sufrido daños. Póngase en contacto con el servicio de Atención al Cliente de Dreame, no desmonte la máquina.

- Cargue la batería siguiendo estrictamente las instrucciones del manual. Si no se carga adecuadamente dentro del rango de temperatura especificado, la batería puede dañarse.
- Utilice únicamente accesorios y repuestos recomendados por el fabricante.
- Desconecte el cargador cuando no se utilice durante períodos prolongados y antes de realizar labores de mantenimiento.
- Preste atención mientras limpia en escaleras.
- No instale, cargue ni use este aparato en el exterior, en el baño o alrededor de la piscina.
- Alerta de incendio, no aplique ninguna fragancia o producto perfumado al filtro de este aparato. Las sustancias químicas en este tipo de productos son conocidas por ser inflamables y pueden causar que el aparato se incendie.
- Utilice únicamente el cargador original (modelo ZD012M300065EU). No hacerlo, podría provocar que la batería de ion de litio se incendie.
- Utilice únicamente el tipo de batería aprobado (modelo V2316-7S1P-SCA). No hacerlo, podría provocar que la batería de ion de litio se incendie.
- Si se produce una fuga en la batería, asegúrate de que no hay nadie cerca hasta que las baterías se enfríen y los humos se disipen.
- Ventila la zona todo lo posible para eliminar los gases perjudiciales y evita el contacto con los ojos y la inhalación de vapores.
- Limpia el líquido derramado con un producto absorbente e incinera los residuos.
- No lo use ni almacene en ambientes extremadamente calientes o fríos (por debajo de 0°C / 32°F o por encima de 40°C / 104°F). Utilice el adaptador de alimentación original para cargar el robot a una temperatura de 0°C a 40°C .
- Lea y guarde estas instrucciones.
- Los terminales de suministro no se deben cortocircuitar.

Símbolos



Leer el manual del operador



Unidad de suministro desmontable

Nosotros, Dreame Trading (Tianjin) Co., Ltd., por la presente, declaramos que el equipo cumple con las Directivas y Normas Europeas aplicables y las enmiendas. Encontrará el texto completo de la declaración de conformidad de la UE en esta dirección de Internet: <https://global.dreametech.com>

Para un manual electrónico detallado, vaya a <https://global.dreametech.com/pages/user-manuals-and-faqs>

Accesorios

1. Barra
 2. Herramienta de combinación
 3. Cargador
 4. Cepillo Multisuperficie
 5. Caja fijada en la superficie de la pared (incluye 2 tornillos, 2 tacos de pared)
 6. Mini-Cepillo Motorizado
- Fig. A**

Nombre del componente

1. Botón de encendido (Presionar para encender/soltar para apagar)
 2. Indicador de estado de nivel de succión
Turbo : Med : Eco ·
 3. Botón de nivel de succión
☉
 4. Compartimento de polvo
 5. Botón de liberación de envase de polvo
 6. Cepillo Multisuperficie
 7. Contacto antiestático
 8. Indicador de Estado de Batería
 9. Interruptor de liberación de la batería
 10. Puerto de Carga
 11. Botón de liberación de la barra
 12. Barra
 13. Botón de Liberación del Cepillo
- Fig. B**

Recordatorio: La especificación es sólo de referencia, la apariencia real debe basarse en el objeto.

Instalación

- Instalación de accesorios y aspiradora
Fig. C-1
- Instalación de soporte de pared

La caja fijada a la superficie de la pared debe estar ubicada en un lugar fresco y seco con una fuente de electricidad cercana para asegurar que no haya instalaciones como cables o tuberías directamente detrás del área de

instalación.

1. Antes de la instalación, mida en la pared una altura de 102 cm (40,2 pulgadas) sobre el suelo.
2. Use herramientas eléctricas con una broca de 8 mm (0,315 inch) para perforar los agujeros, coloque el tubo de expansión en el agujero.
3. Alinee los agujeros de montaje de la caja fijada a la superficie de la pared con los agujeros de la pared y fíjela a la pared con tornillos.

Fig. C-2

Funcionamiento

Carga

- Conexión del cargador al soporte de pared
 1. Retire la abrazadera móvil del fondo de la caja fija girando 90° en el sentido contrario a las agujas del reloj.
 2. Enganche los cables de alimentación del adaptador en el extremo ranurado de la abrazadera.
 3. Bloquee la abrazadera girando 90° en el sentido de las agujas del reloj.

Fig. D-1

- Ponga la aspiradora en el soporte de pared y enchufe el adaptador en el puerto de carga.

Fig. D-2

- Indicador de Estado de Batería

Fig. D-3

Carga

○ Totalmente cargada

☀ Carga

Desarga

○ nivel de batería ≥ 10%

☀ nivel de batería < 10%

○ Blanco fijo ☀ Blanco parpadeando ● Apagado

Nota:

1. El aspirador no se puede usar mientras se está cargando.
2. Cargue completamente la aspiradora antes de usarla por primera vez. Esto durará alrededor de 4 horas.
3. Si se aspira en modo turbo durante

un período prolongado, la batería se calentará. Se recomienda dejar que el aspirador se enfríe durante 30 minutos antes de cargarlo de nuevo.

Método de trabajo

Mantenga pulsado el botón de encendido para arrancar el aparato, y suelte el botón para detenerlo inmediatamente.

Fig. D-4

Cambio del nivel de succión

Presione brevemente para cambiar entre modo eco, med y turbo.

Fig. D-5

Uso de diferentes accesorios

- Cepillo Multisuperficie
 - Cuando se usa en alfombras de juego para niños o para aspirar granos de café, palomitas u otras bolitas, encienda el interruptor del cepillo.
 - Cuando se aspiren baldosas, suelos de madera u otras superficies duras, apague el interruptor.
- Fig. D-6**
- Nota:
1. El cepillo multisuperficie se puede acoplar directamente al aspirador.
 2. Cuando el aparato se inicia, las luces en frente del cepillo del rodillo se encenderán automáticamente, lo cual es conveniente para su uso.

- Herramienta de combinación
Adecuada para aspirar grietas, esquinas de puertas y ventanas, escaleras y otros lugares de difícil acceso.

Fig. D-7

- Mini-Cepillo Motorizado
Para aspirar la suciedad, los pelos de mascota y otros restos resistentes de los sofás, la ropa de cama y otras superficies de tela.
- Nota: No se recomienda pasar la aspiradora por superficies que puedan engancharse, como la seda.

Fig. D-8

Nota:

1. Si alguna pieza giratoria se queda atascada, la aspiradora podría

apagarse de forma automática. Extraiga los objetos extraños que se hayan quedado atascados y reanude el uso.

2. Si la batería funciona a temperaturas demasiado elevadas, la aspiradora se apagará automáticamente. Espere a que la temperatura de la batería vuelva a ser normal y, a continuación, reanude el uso.

Cuidado y mantenimiento

Consejos:

1. Utilice siempre piezas originales para evitar que se anule la garantía.
2. Si el filtro o la boquilla se obstruye, el aspirador dejará de funcionar poco después de encenderse. Para restaurar la funcionalidad, limpie el filtro o la boquilla.
3. Si no se usa la aspiradora durante mucho tiempo, cárguela por completo, desenchufe el cargador, retire la batería y guárdela en un ambiente fresco y con poca humedad alejada de la luz solar directa. Para evitar que la batería se descargue demasiado, recargue la batería al menos una vez cada tres meses.

Limpieza del aspirador

Limpie el aspirador con un trapo seco y suave.

Limpieza del compartimento para el polvo, el prefiltro y el separador ciclónico

Antes de limpiar el recipiente de polvo, desconecte el cargador y mantenga el botón de encendido de la aspiradora en la posición de apagado.

- Presione el botón de liberación de envase de polvo y retírelo de la aspiradora.
Fig. E-1
- Retirar primero el prefiltro y luego guire el sistema de ciclón para elevarlo hacia

fuera.

Fig. E-2

- Vacíe el envase de polvo.

Fig. E-3

- Enjuague el conjunto de ciclón, el prefiltro y el envase de polvo hasta que estén limpios. Después de lavar, deje secar al aire al menos 24 horas.

Fig. E-4

Nota:

1. Se recomienda limpiar el envase de polvo después de su utilización.
2. Se recomienda limpiar el sistema ciclónico y el prefiltro al menos cada 3 a 4 meses.

Instalación del compartimento para el polvo, el prefiltro y el separador ciclónico

- Instale el conjunto de ciclón y el prefiltro en el envase de polvo.

Fig. E-5

- Incline ligeramente el compartimento de polvo para que sus ranuras queden alineadas con la pestaña de la aspiradora. Luego presione suavemente sobre el compartimento de polvo hasta que encaje en su sitio.

Fig. E-6

Limpieza del filtro

Se recomienda limpiar el filtro una vez cada 4 o 6 meses.

- Extraiga el compartimento del polvo como se indica en la imagen.

Fig. E-7

- Extraiga el filtro de la aspiradora tirando hacia abajo, en la dirección que se muestra en la imagen.

Fig. E-8

- Enjuague el filtro rotándolo 360°. Golpee ligeramente el filtro varias veces para retirar los restos atrapados en él.

Fig. E-9

Nota:

1. Utilice únicamente agua limpia para

limpiar el filtro. No utilice detergentes.

2. No intente limpiar el filtro con un cepillo ni con los dedos.

- Deje secar el filtro durante, al menos, 24 horas.

Fig. E-10

Instalación del filtro

- Inserte el filtro en la aspiradora y presione suavemente hacia abajo, como se indica en la imagen.

Fig. E-11

- Vuelva a instalar el compartimento de polvo.

Fig. E-12

Sustitución del paquete de baterías

La aspiradora contiene un pack de batería de ion de litio recargable y extraíble que cuenta con un número limitado de ciclos de recarga. Tras un uso prolongado, el pack de batería dejará de poder realizar una carga. Si esto ocurre, significará que el pack de batería ha alcanzado el fin de su vida útil y deberá sustituirlo.

- Pulse el botón de liberación del pack de batería y deslícelo hacia la derecha para sacarlo, como se muestra en la imagen.

- Instale el nuevo pack de batería.

Fig. E-13

Limpieza del Cepillo Multisuperficie

- Gire el bloqueo en sentido contrario a las agujas del reloj hasta que se detenga, luego quite el rodillo.

Fig. E-14

- Utilice unas tijeras para cortar los pelos y las fibras que se atascan en el rodillo. Elimine el polvo de la muesca y la tapa transparente con un paño seco o una toalla de papel. Seque bien antes de utilizar.

Fig. E-15

- Cuando esté sucio, enjuague el cabezal del cepillo con agua limpia hasta que

esté limpio.

Fig. E-16

- Mantenga el cabezal del cepillo en posición vertical al menos durante 24 horas hasta que se seque por completo.

Fig. E-17

Limpieza del Mini-Cepillo Motorizado

- Utilice una moneda para girar el cierre en sentido contrario a las agujas del reloj, hasta que oiga un clic.

Fig. E-18

- Después de desbloquear el minicepillo motorizado, quite el rodillo, luego enjuáguelo y límpiolo.

Fig. E-19

- Coloque el rodillo en posición vertical en un área bien ventilada durante al menos 24 horas hasta que esté completamente seco.

Fig. E-20

- Una vez que el rodillo esté seco, vuelva a instalarlo siguiendo los pasos de desmontaje al revés.

Fig. E-21

Mini-Cepillo Motorizado	
Modelo	VPA1
Potencia asignada	20 W
Tensión asignada	25,2 V ===
Cargador	
Modelo	ZD012M300065EU
Entrada	100-240 V~ 50/60 Hz 0,5 A
Salida	30 V=== 0,65 A
Efficiencia attiva media	85,36%
Efficiencia a Baja Carga (10%)	75,35%
Consumo de Energía Sin Carga	0,1 W
Pack de batería de ion de litio recargable	
Modelo	V2316-7S1P-SCA
Tensión nominal	25,2 V===
Capacidad nominal	2500 mAh
Capacidad asignada	2300 mAh
Energía	57,96 Wh

Especificaciones

Aspiradora	
Modelo	VPV11A
Potencia asignada	370 W
Tensión asignada	25,2 V===
Tiempo de carga	aproximadamente 4 horas
Cepillo Multisuperficie	
Modelo	VMB9
Potencia asignada	40 W
Tensión asignada	25,2 V ===

Preguntas frecuentes

Si el aspirador no funciona correctamente, consulte la siguiente tabla de posibles soluciones.

Errores	Causas posibles	Soluciones
La aspiradora no funciona.	No tiene batería o le queda poca.	Cargue completamente el aspirador y luego reanude el uso.
	Modo de protección contra sobrecalentamiento activado por un bloqueo.	Espere hasta que el aspirador se enfríe, luego reactivelo.
	La abertura de succión o el conducto de aire está bloqueado.	Limpie cualquier obstrucción de la abertura de succión o del conducto de aire.
La potencia de succión disminuye.	El compartimento de polvo está lleno y/o el filtro está obstruido.	Vacíe el depósito del polvo y limpie el conjunto del filtro.
	El accesorio ensamblado está bloqueada.	Despeje cualquier bloqueo en el accesorio ensamblado.
El motor hace un ruido raro.	La abertura de succión principal o la barra de extensión están bloqueadas.	Limpie cualquier obstrucción en la abertura de succión o la barra de extensión.
El indicador de batería es rojo fijo cuando se carga la aspiradora.	El pack de batería está dañado.	Póngase en contacto con el servicio posventa para concertar una cita de mantenimiento.
El indicador de batería parpadea rojo cuando se enciende la aspiradora.	La temperatura del motor es demasiado alta. / El rodillo de casquillo está bloqueado. / El conducto de aire está bloqueado.	Compruebe estas piezas.
El indicador de batería no se enciende durante la carga.	El cargador no está conectado a la aspiradora.	Asegúrese de que el cargador esté bien conectado.
	La batería está totalmente cargada y cambió al modo de suspensión.	Puede utilizar la aspiradora como de costumbre.
	Si el problema persiste después de descartar las dos posibilidades anteriores,	Póngase en contacto con el servicio posventa para obtener ayuda.
La batería se carga lentamente.	La temperatura de la batería es demasiado alta o baja.	Espere a que la temperatura de la batería se normalice y reanude el uso.
Las luces LED del cepillo multisuperficie no funcionan.	Las luces LED están dañadas.	Póngase en contacto con el servicio posventa para obtener ayuda.

- El pack de batería de ion de litio contiene sustancias perjudiciales para el medio ambiente. Antes de desechar la aspiradora, quite el pack de batería y deséchelo o recíclelo siguiendo las leyes y reglamentos locales del país o región en el que se use.
- El aparato debe estar desconectado de la fuente de alimentación al retirar la batería. Mantenga las baterías fuera del alcance de los niños. Nunca ponga las baterías en la boca. Si se ingiere, comuníquese con su médico o con el control local de envenenamiento.
- En condiciones abusivas, nunca toque la batería de la que puede salir líquido. Si ocurre contacto accidentalmente, enjuague con agua. Si el líquido entra en contacto con los ojos, busque ayuda médica inmediatamente. El líquido divulgado de la batería puede causar irritación o quemaduras.

Información sobre RAEE



Todos los productos que llevan este símbolo son residuos de aparatos eléctricos y electrónicos (RAEE según la directiva 2012/19/UE) que no deben mezclarse con residuos domésticos sin clasificar. En su lugar, debe proteger la salud humana y el medio ambiente entregando sus equipos de desecho a un punto de recogida para el reciclaje de residuos de equipos eléctricos y electrónicos, designado por el gobierno o las autoridades locales. La eliminación y el reciclado correctos ayudarán a evitar posibles consecuencias negativas para el medio ambiente y la salud humana. Póngase en contacto con el instalador o con las autoridades locales para obtener más información sobre la ubicación y las condiciones de dichos puntos de recogida.

Инструкции по технике безопасности

Во избежание травм из-за случайного поражения электрическим током или воспламенения в результате неправильной эксплуатации изделия перед началом использования внимательно прочитайте руководство по эксплуатации.

Предупреждение

- Данное изделие не должно использоваться людьми с ограниченными физическими или интеллектуальными возможностями и нарушениями в работе органов чувств, а также лицами, не имеющими соответствующего опыта и знаний (включая детей), за исключением случаев, когда изделие используется под наблюдением или руководством ответственного лица для гарантии безопасности.
- Детям строго запрещено использовать данное изделие по назначению или в качестве игрушки. Будьте крайне осторожны во время использования изделия вблизи детей. Детям строго запрещено чистить или ремонтировать изделие без присутствия взрослых.
- Строго запрещено использовать изделие на открытом воздухе или влажной поверхности. Используйте изделие только на сухой поверхности внутри помещения, не прикасайтесь к штепсельной вилке или любой другой части изделия мокрыми руками.
- Во избежание воспламенений, взрывов или травм проверьте литиевый аккумулятор и зарядное устройство перед началом использования на наличие повреждений. Запрещено использовать пылесос, если литиевая батарея или зарядное устройство повреждены.
- Универсальная щетка, Мягкая роликовая щетка, электрическая минищетка, аккумулятор, клемма металлического соединителя и пылесос проводят ток, поэтому не должны соприкасаться с водой и другой жидкостью. Обязательно просушите все фильтры после очистки.
- Будьте осторожны, чтобы избежать травм от движущихся элементов. Выключайте пылесос перед очисткой универсальной щетки, мягкая роликовая щетка. Корректно установите универсальную щетку, мягкая роликовая щетка, отсек для пыли и фильтр перед использованием пылесоса.
- Используйте только оригинальное зарядное устройство, не используйте неофициальный адаптер, так как это может привести к возгоранию литиевого аккумулятора.
- Не используйте изделие для удаления воды, легковоспламеняющихся или взрывоопасных жидкостей, таких как бензин и т.д. Не используйте изделие для удаления токсичных растворов, таких как хлорный отбеливатель, аммиак, чистящие средства для канализации, или других жидкостей.
- Запрещено использовать пылесос для очистки извести, цемента, гипсового порошка, каминной золы и пепла, а также для дыма или зажигательных средств, таких как угли, окурки или спички.
- Перед началом эксплуатации проверьте зону для уборки. В случае обнаружения крупных листов бумаги, бумажных шариков, пластиковых или острых предметов (например, стекло, гвозди, винты, монеты и т.д.), а также элементов крупнее диаметра трубочки для напитков удалите их, чтобы избежать засорения всасывающей трубы и нарушения нормальной работы изделия.
- Держите волосы, распушенную одежду, пальцы и другие части тела подальше

от отверстий вакуума и движущихся частей. Не направляйте удлинитель, палочку или инструменты на глаза или уши и не кладите их в рот.

- Запрещено ставить какие-либо предметы на всасывающее отверстие. Не используйте пылесос, если всасывающее отверстие засорилось. Наличие больших кусков пыли, ваты, волос и других предметов может привести к ослаблению воздушного потока. Своевременно проводите очистку.
- Не прислоняйте пылесос к неустойчивым предметам, таким как стул или обеденный стол, чтобы не повредить пылесос и не травмировать пользователя в результате падения пылесоса. При повреждении или неисправности пылесоса в результате падения, обратитесь к официальному сервисному представителю. Не разбирайте изделие самостоятельно.
- Заряжайте батарею в строгом соответствии с инструкциями. В случае неправильной зарядки и превышении указанного диапазона температуры, батарея может быть повреждена.
- Извлеките штепсельную вилку перед техническим обслуживанием или ремонтом, а также в случае продолжительного хранения изделия.
- Будьте предельно внимательны во время использования изделия для уборки лестницы.
- Используйте только аксессуары и запасные части, рекомендованные производителем.
- Не проводите сборку, не заряжайте и не используйте данное изделие на улице, в ванной комнате или вблизи бассейна.
- Предупреждение об опасности возгорания: не наносите какие-либо ароматизаторы на фильтр данного изделия - химические вещества, содержащиеся в таких изделиях являются легковоспламеняющимися и могут привести к возгоранию.
- Используйте только оригинальное зарядное устройство (модель ZD012M300065EU). Несоблюдение этого правила может привести к возгоранию литиевого аккумулятора.
- Используйте только аккумуляторы модели V2316-7S1P-SCA. Несоблюдение этого правила может привести к возгоранию литиевого аккумулятора.
- В случае выброса материала аккумуляторов эвакуируйте персонал из опасной зоны до остывания аккумуляторов и рассеивания паров.
- Обеспечьте максимальную вентиляцию для удаления опасных газов и не допускайте контакта паров с кожей и глазами или их вдыхания.
- Удалите пролитую жидкость с помощью абсорбента и уничтожьте отходы посредством сжигания.
- Запрещается использовать и хранить изделие в экстремальных температурных условиях (ниже 0°C или выше 40°C). Используйте оригинальный адаптер питания и проводите подзарядку при температуре от 0°C до 40°C.
- Данное изделие подходит исключительно для домашнего использования.
- Клеммы питания не должны быть закорочены.
- Меры предосторожности при хранении и транспортировке:
 - Продукт должен транспортироваться в упаковке. Не подвергайте продукт давлению или ударам во время транспортировки.
 - Пожалуйста, избегайте сильных столкновений во время транспортировки.
 - Не транспортируйте прибор при температуре выше 50°C или ниже -20°C.
 - В случае краткосрочного хранения, например одного месяца, прибор рекомендуется хранить при температуре от -20°C до 50°C и относительной влажности 60% ± 5%. В случае длительного хранения прибор рекомендуется хранить при температуре окружающей среды от 0°C до 40°C.

• Утилизируйте пылесос надлежащим образом. Когда его срок службы подойдет к концу, утилизируйте пылесос в соответствии с местными законами и правилами страны или региона, в котором он используется.

• Правила и условия реализации: без ограничений.

• Импортер продает этот продукт; информацию об импортере см. на упаковке.

• Сведения об импортере и контактная информация отдела послепродажного обслуживания указаны на упаковке.

• Дата изготовления: см. на упаковке.

• Срок службы продукции 3 года.

Знаки

 Прочитать руководство по эксплуатации

 Съёмный блок питания

Мы, компания Dreame Trading (Tianjin) Co., Ltd., настоящим заявляем, что данное изделие соответствует требованиям всех действующих директив ЕС и европейских стандартов со всеми изменениями и дополнениями. Полный текст декларации о соответствии нормативным требованиям ЕС доступен по адресу: <https://global.dreameotech.com>

Подробное электронное руководство см. по адресу <https://global.dreameotech.com/pages/user-manuals-and-faqs>

Аксессуары

1. Удлинительная трубка
2. Комбинированный инструмент
3. Зарядное устройство
4. Универсальная щетка
5. Настенный фиксатор (Включая винт ×2, дюбель ×2)

6. Электрическая минищетка

Рис. А

Название детали


1. Кнопка питания (Нажмите для включения/отпустите для выключения)
2. Индикатор состояния уровня всасывания
Турбо : Мед : Эко ·
3. Кнопка уровня всасывания

4. Контейнер для пыли
5. Кнопка освобождения пылесборника
6. Универсальная щетка
7. Антистатический контакт
8. Индикатор статуса батареи
9. Кнопка снятия аккумулятора
10. Разъем для зарядки
11. Кнопка разблокировки удлинительной трубки
12. Удлинительная трубка
13. Кнопка отсоединения щетки

Рис. В

Напоминание: изображения в данной инструкции только для справки. Пожалуйста, ориентируйтесь на реальный внешний вид.

Установка

- Установка пылесоса и принадлежностей

Рис. С-1

- Установка на стене

Место для размещения настенного фиксатора следует выбирать так, чтобы он находился в прохладном темном месте вблизи источника

питания. Убедитесь, что перед и за зоной монтажа отсутствуют электрокабели, трубы и другие объекты.

1. Перед установкой измерьте стену на высоте 102 см (40,2 дюйма) над землей.
2. С помощью сверла 8 мм (0,315 inch) просверлите отверстие, используя электрический инструмент, и установите дюбель в просверленное отверстие.
3. Совместите монтажное отверстие настенного фиксатора и отверстие, просверленное в стене, и зафиксируйте фиксатор на стене с помощью болтов.

Рис. С-2

Работа

Зарядка

- Подключение зарядного устройства к настенному креплению
 1. Снимите подвижный зажим в основании фиксатора, повернув его под 90° против часовой стрелки.
 2. Вставьте кабель питания адаптера через паз зажима.
 3. Зафиксируйте зажим, повернув его под 90° по часовой стрелке.

Рис. D-1

- Поместите пылесос на настенное крепление и вставьте адаптер в порт для зарядки.

Рис. D-2

- Индикатор статуса батареи

Рис. D-3

Зарядка


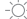

 Полный уровень заряда

 Зарядка

Разрядка

 уровень заряда ≥ 10%

 уровень заряда < 10%

 Постоянный белый  Мигающий белый  Выкл

Примечание.

1. Не используйте пылесос во время зарядки.

2. Перед первым использованием зарядите пылесос до полной зарядки. Это займет около 4 часов.
3. После безостановочной уборки в режиме Турбо аккумулятор может сильно нагреться, поэтому пылесосу может потребоваться больше времени на подзарядку. Рекомендуется остудить робот в течение 30 минут и затем начать подзарядку.

Метод работы

Нажмите и удерживайте кнопку питания, чтобы запустить прибор, и отпустите кнопку, чтобы немедленно остановиться.

Рис. D-4

Переключение уровня всасывания

Коротко нажмите кнопку, чтобы переключиться между режимами эко, мед и турбо.

Рис. D-5

Использование разных насадок

- Универсальная щетка
 - При использовании на детских игровых ковриках, коврах или для пылесоса кофейных зерен, поп-корна и других гранул включите переключатель на щетке.
 - При пылесосе на плитке, деревянных полах или других твердых поверхностях выключайте выключатель.

Рис. D-6

Примечание.

1. Универсальная щетка устанавливается на пылесос.
2. При запуске прибора автоматически включаются индикаторы перед валиком щетки, что удобно для использования.

- Комбинированный инструмент подходит для уборки в узких щелях, углах дверей и окон, на лестницах и в

других труднодоступных местах.

Рис. D-7

- Электрическая минищетка используется для уборки грязи, шерсти животных и других стойких загрязнений на диване, матрасе и других тканевых поверхностях. Примечание. Не рекомендуется использовать пылесос для уборки поверхностей, на которых могут остаться зацепки и царапины (напр. Шелк).

Рис. D-8

Примечание:

1. В случае заклинивания какой-либо вращающейся детали пылесос может автоматически отключиться. Уберите застрявшие посторонние предметы и продолжите уборку.
2. В случае перегрева аккумулятора пылесос автоматически отключится, пока температура аккумулятора нормализуется, а затем продолжите уборку.

Уход и техническое обслуживание

Советы

1. Используйте оригинальные запчасти, иначе гарантия может быть аннулирована.
2. В случае засорения фильтра, насадки или умной многофункциональной щетки робот-пылесос может выключиться сразу после запуска. Очистите засоренные детали перед повторным запуском.
3. Если пылесос не используется в течение длительного периода времени, полностью зарядите его, отключите зарядное устройство, извлеките аккумулятор и храните его в прохладном месте с низкой влажностью вдали от прямых солнечных лучей. Чтобы избежать чрезмерной разрядки аккумулятора,

заряжайте аккумулятор не реже одного раза в три месяца.

Чистка пылесоса

Протрите пылесос мягкой сухой тканью.

Очистка контейнера для пыли, фильтра предварительной очистки и циклонного блока

Перед очисткой пылесборника отключите зарядное устройство и удерживайте кнопку питания пылесоса в выключенном положении.

- Нажмите кнопку освобождения пылесборника и извлеките его из пылесоса.
Рис. E-1
- Сначала снимите фильтр предварительной очистки, а затем поверните циклонную систему, чтобы извлечь его.
Рис. E-2
- Опорожните пылесборник.
Рис. E-3
- Промойте узел циклона, фильтр предварительной очистки и пылесборник, пока они не станут чистыми. После промывки просушите на воздухе не менее 24 часов.
Рис. E-4

Примечание:

1. Рекомендуется очищать пылесборник после использования.
2. Рекомендуется выполнять очистку циклонной системы и фильтра предварительной очистки минимум раз в 3-4 месяца.

Установка контейнера для пыли, фильтра предварительной очистки и циклонного блока

- Установите узел циклона и фильтр предварительной очистки в пылесборник.
Рис. E-5

- Слегка наклоните контейнер - При использовании на детских игровых ковриках, коврах или для пылесоса кофейных зерен, попкорна и других гранул включите переключатель на щетке.
- При пылесосе на плитке, деревянных полах или других твердых поверхностях выключайте выключатель.

Рис. E-6

Очистка фильтра

Рекомендуется очищать фильтр каждые 4-6 месяцев.

- Извлеките контейнер для пыли так, как показано на рисунке.
Рис. E-7
- Достаньте фильтр из пылесоса движением вниз, как показано на рисунке.
Рис. E-8
- Промойте фильтр, вращая его на 360°. Слегка постучите по фильтру несколько раз, чтобы удалить попавший в него мусор.

Рис. E-9

Примечание:

1. Промывайте фильтр только чистой водой. Не используйте чистящие средства.
2. Не очищайте фильтр щеткой или пальцами.

- Просушите фильтр в течение как минимум 24 часов.

Рис. E-10

Установка фильтра

- Вставьте фильтр в пылесос и слегка нажмите на него, как показано на рисунке.
Рис. E-11
- Установите контейнер для пыли на место.
Рис. E-12

Замена батарейного блока

Пылесос содержит съемный литий-ионный аккумулятор с ограниченным

количеством циклов зарядки. После продолжительного использования аккумулятор может перестать держать заряд. Это означает, что срок службы аккумулятора подошел к концу и его требуется заменить.

- Нажмите кнопку снятия аккумулятора и сдвиньте аккумулятор вправо, как показано на рисунке, чтобы снять его.

- Вставьте новый аккумулятор.

Рис. E-13

Очистка универсальной щетки

- Поверните блок против часовой стрелки с упора, затем снимите ролик с роликовой щетки.
Рис. E-14
- С помощью ножниц срежьте волосы и ткань, застрявшие на роликовой щетке. Сотрите пыль с паза и прозрачной крышки сухой тканью или бумажным полотенцем. Перед использованием тщательно просушите.
Рис. E-15
- Если она загрязнена, промойте головку щетки чистой водой до тех пор, пока она не станет чистой.
Рис. E-16
- Поставьте головку щетки вертикально как минимум на 24 часа, пока она полностью не высохнет.
Рис. E-17

Очистка электрической минищетки

- С помощью монетки поверните замок против часовой стрелки до щелчка.
Рис. E-18
- После разблокировки электрической минищетки снимите роликовую щетку, затем ополосните и очистите ее.
Рис. E-19
- Поставьте роликовую щетку вертикально в хорошо вентилируемом месте минимум на 24 ч до полного высыхания.
Рис. E-20

- Когда роликовая щетка высохнет, установите ее на место в последовательности, обратной установке.

Рис. E-21

Технические характеристики

Вакуумный пылесос	
Модель	VPV11A
Номинальная мощность	370 W
Номинальное напряжение	25,2 V ⁻⁻⁻
Время зарядки	около 4 часов
Универсальная щетка	
Модель	VMB9
Номинальная мощность	40 W
Номинальное напряжение	25,2 V ⁻⁻⁻
Электрическая минищетка	
Модель	VPA1
Номинальная мощность	20 W
Номинальное напряжение	25,2 V ⁻⁻⁻
Зарядное устройство	
Модель	ZD012M300065EU
Входное	100-240 V [~] 50/60 Hz 0,5 A
Выход	30 V ⁻⁻⁻ 0,65 A
Средний КПД в активном состоянии	85,36%
Эффективность при низкой нагрузке (10%)	75,35%
Энергопотребление без нагрузки	0,1 W

Перезаряжаемый литий-ионный аккумулятор	
Модель	V2316-7S1P-SCA
Расчетное напряжение	25,2 V ⁻⁻⁻
Номинальная емкость	2500 mAh
Реальная емкость	2300 mAh
Энергия	57,96 Wh

Часто задаваемые вопросы

Если пылесос не работает должным образом, см. приведенную ниже таблицу устранения неполадок.

Ошибки	Возможные причины	Решения
Пылесос не работает.	Пылесос разрядился или недостаточный заряд аккумулятора.	Полностью зарядите пылесос, а затем продолжите использование.
	Режим защиты от перегрева, вызванный блокировкой.	Подождите, пока пылесос остынет, а затем заново включите его.
	Отверстие для всасывания или воздушное отверстие засорилось.	Очистите отверстие для всасывания или воздушное отверстие от загрязнений.
Сила всасывания снизилась.	Заполнен контейнер для пыли и/или засорен фильтр.	Очистите контейнер для пыли и очистите блок фильтра.
	Аксессуар засорился.	Очистите аксессуар от загрузочных.
Посторонние шумы в двигателе.	Основное отверстие для всасывания или шланг заблокированы.	Очистите основное отверстие для всасывания или шланг от мусора.
Во время зарядки пылесоса индикатор батареи горит красным цветом.	Отсек аккумулятора поврежден.	Обратитесь в отдел послепродажного обслуживания для устранения неполадки.
Индикатор батареи мигает красным цветом после включения пылесоса.	Температура двигателя слишком высока. / Втулочный ролик заблокирован. / Воздушный канал заблокирован.	Проверьте эти детали по очереди.
Во время зарядки пылесоса индикатор заряда не горит.	Зарядное устройство не подключено к пылесосу.	Убедитесь, что зарядное устройство подключено правильно.
	Аккумулятор полностью заряжен и перешел в спящий режим. Если проблема не устраняется после исключения двух вышеупомянутых возможных причин,	Пылесос готов к использованию. обратитесь в отдел послепродажного обслуживания компании для проведения ремонта.
Медленная зарядка аккумулятора.	Слишком низкая или слишком высокая температура аккумулятора.	Подождите, пока температура аккумулятора нормализуется, а затем продолжите использование.
LED лампы для многослойных поверхностей не работают.	LED лампы повреждены.	обратитесь в отдел послепродажного обслуживания компании для проведения ремонта.

- Литий-ионный аккумулятор содержит вещества, представляющие опасность для окружающей среды. Перед утилизацией пылесоса сначала выньте аккумулятор и утилизируйте или сдайте его на переработку в соответствии с местными законами и правилами страны или региона эксплуатации.
- При извлечении аккумулятора необходимо отключить прибор от электропитания. Храните аккумуляторы в недоступном для детей месте. Запрещается класть аккумуляторы в рот. В случае проглатывания свяжитесь с терапевтом либо

местным отделом контроля опасных веществ.

- В условиях, противоречащих установленным, запрещается прикасаться к аккумулятору, из которого вытекает жидкость. Если контакта не удалось избежать, промойте место контакта водой. В случае попадания аккумуляторной жидкости в глаза, немедленно обратитесь за медицинской помощью. Аккумуляторная жидкость может вызывать раздражение или ожог.

Информация об утилизации и переработке отходов электрического и электронного оборудования (WEEE)



Все изделия с символом отдельного сбора отработанного электрического и электронного оборудования (Директива WEEE 2012/19/EU) следует утилизировать отдельно от несортируемых бытовых отходов. С целью охраны здоровья и защиты окружающей среды такое оборудование необходимо сдавать на переработку в специальные пункты приема электрического и электронного оборудования, определенные правительством или местными органами власти. Правильная утилизация и переработка помогут предотвратить возможные негативные последствия для окружающей среды и здоровья человека. Для получения информации о местонахождении и порядке приема устройств в пунктах приема обратитесь в компанию, занимающуюся установкой оборудования, или в местные органы власти.

Instrukcja bezpieczeństwa

Aby zapobiec wypadkom, w tym porażeniu prądem elektrycznym lub pożarowi spowodowanemu niewłaściwym użytkowaniem, przed użyciem należy zachować niniejszą instrukcję i zachować ją do wykorzystania w przyszłości.

Ostrzeżenie

- Z tego produktu mogą korzystać dzieci w wieku od 8 lat oraz osoby z deficytami fizycznymi, sensorycznymi, intelektualnymi lub o ograniczonym doświadczeniu lub wiedzą wyłącznie pod nadzorem rodzica lub innej osoby dorosłej, aby zapewnić bezpieczne użytkowanie i uniknąć wszelkich zagrożeń. Pielęgnacja i konserwacja urządzenia nie mogą być wykonywane przez dzieci bez nadzoru osoby dorosłej.
- Odkurzacze nie są zabawką. Dzieci nie powinny bawić się ani obsługiwać tego produktu. Należy zachować ostrożność podczas używania odkurzacza w pobliżu dzieci. Nie pozwalaj dzieciom na czyszczenie lub konserwację odkurzacza, chyba że pod nadzorem rodzica lub osoby dorosłej.
- Nie używaj odkurzacza na zewnętrznych ani na mokrych powierzchniach. Odkurzacza należy używać tylko na suchych powierzchniach, wewnątrz pomieszczeń. Nie należy dotykać wtyczki ani żadnej części odkurzacza mokrymi rękami.
- Aby zmniejszyć ryzyko pożaru, wybuchu lub obrażeń, przed użyciem upewnij się, że akumulator litowy i zasilacz są nieuszkodzone. Nie używaj odkurzacza, jeśli akumulator litowy lub ładowarka są uszkodzone.
- Szczotka wielopowierzchniowa, miękka szczotka rolkowa, zmotoryzowana mini-szczotka, akumulator, metalowy pin złącza i odkurzacze przewodzą prąd elektryczny i nie należy zanurzać ich w wodzie ani innych cieczach. Zadbaj o wysuszenie filtrów po czyszczeniu.
- Zapobiegaj obrażeniom ze strony części poruszających się. Wyłącz odkurzacze przed czyszczeniem szczotki wielopowierzchniowej i miękkiej szczotki rolkowej. Szczotka wielopowierzchniowa, miękka szczotka rolkowa, przegroda na kurz i filtr muszą być prawidłowo zainstalowane przez użycie odkurzacza.
- Należy używać wyłącznie oryginalnego zasilacza. Nigdy nie używaj nieoryginalnego zasilacza.
- Nie należy używać odkurzacza do usuwania łatwopalnych cieczy, takich jak benzyna, wybielacz, amoniak, środki czyszczące do kanalizacji lub inne płyny.
- Nie należy używać odkurzacza do usuwania pyłu, płyt kartonowo-gipsowych, popiołów kominkowych lub łatwopalnych materiałów, takich jak węgiel, niedopałki papierosów lub zapalki.
- Przed użyciem należy sprawdzić obszar, który ma zostać oczyszczony. Aby zapobiec zatkaniu otworów, należy usunąć duże kawałki papieru, papierowe kulki, plastikową torebkę lub ostre przedmioty, takie jak szkło, gwoździe, śruby, monety itp. i wszelkie przedmioty, który są większe niż otwory ssące.
- Trzymaj włosy, luźne ubrania, palce i inne części ciała z dala od otworów i ruchomych części odkurzacza. Nie należy kierować pręta przedłużającego, różdżki lub narzędzi w kierunku oczu lub uszu, ani wkładać ich do ust.
- Nie należy wkładać żadnych przedmiotów do otworów ssących. Nie używać odkurzacza, jeśli jego otwór ssący jest zablokowany.
- Nie należy opierać odkurzacza o krzesło, stół lub inną niestabilną powierzchnię, ponieważ może to spowodować uszkodzenie urządzenia lub obrażenia ciała. Jeśli odkurzacze zostaną uszkodzone lub w inny sposób działają nieprawidłowo, skontaktuj się

z naszym autoryzowanym działem serwisowym.

- Wszystkie zalecenia w instrukcji ładowania akumulatora muszą być ściśle przestrzegane. Ładowanie akumulatora nieprzestrzegając określonego zakresu temperatur może spowodować jego uszkodzenie.
- Należy używać wyłącznie akcesoriów i części zamiennych zalecanych przez producenta.
- Należy upewnić się, że odłączono odkurzacz, gdy nie jest on używany przez dłuższy czas, a także przed wykonaniem jakichkolwiek czynności konserwacyjnych lub napraw.
- Należy zachować szczególną ostrożność podczas czyszczenia schodów przy użyciu odkurzacza.
- Nie należy montować, ładować ani używać tego urządzenia na zewnątrz, w łazienkach lub wokół basenów.
- Ostrzeżenie o zagrożeniu pożarowym: Nie należy aplikować żadnych perfum do filtra odkurzacza. Tego rodzaju produkty zawierają łatwopalne substancje chemiczne, które mogą spowodować zapalenie się odkurzacza.
- Należy używać wyłącznie oryginalnej ładowarki (Model ZD012M300065EU). Niezastosowanie się do tego może spowodować zapalenie się akumulatora litowo-jonowego.
- Należy używać wyłącznie zatwierdzonego typu baterii (Model V2316-7S1P-SCA). Niezastosowanie się do tego może spowodować zapalenie się akumulatora litowo-jonowego.
- Jeśli dojdzie do uwolnienia materiału z akumulatora, personel powinien opuścić ten obszar aż do czasu ostygnięcia akumulatora i rozproszenia się oparów.
- Zapewnić maksymalną wentylację w celu usunięcia niebezpiecznych gazów i unikać kontaktu ze skórą i oczami oraz wdychania oparów.
- Rozlaną ciecz usunąć za pomocą środka absorbującego, a odpady spalić.
- Nie należy używać i przechowywać urządzenia w bardzo gorących lub zimnych warunkach (poniżej 0°C /32°F lub powyżej 40°C /104°F). Bezprzewodowy odkurzacz należy ładować w temperaturze powyżej 0°C/32°F i poniżej 40°C/104°F.
- Ten produkt jest przeznaczony wyłącznie do użytku domowego.
- Nie wolno zwierać zacisków zasilania.

Symbole



Przeczytaj instrukcję obsługi



Odłączona jednostka zasilająca

My, Dreame Trading (Tianjin) Co., Ltd., niniejszym oświadczamy, że to urządzenie jest zgodne z obowiązującymi dyrektywami i normami europejskimi oraz ich poprawkami. Pełny tekst deklaracji zgodności UE jest dostępny pod następującym adresem internetowym: <https://global.dreame-tech.com>

Szczegółową elektroniczną instrukcję obsługi można znaleźć na stronie <https://global.dreame-tech.com/pages/user-manuals-and-faqs>

Akcesoria

1. Przedłużenie
 2. Narzędzie kombinacyjne
 3. Zasilacz
 4. Szczotka wielopowierzchniowa
 5. Uchwyt ścienny (Łącznie ze śrubą x2, gniazdkiem na pilota x2)
 6. Zmotoryzowana mini szczotka
- Rys. A**

Nazwy części

1. Przycisk zasilania (Wciśnij, aby włączyć/ Zwolnij, aby wyłączyć)
 2. Wskaźnik statusu poziomu ssania
Turbo : Średni : Ekonomiczny
 3. Przycisk poziomu ssania
 4. Pojemnik na kurz
 5. Przycisk zwalniania pojemnika na kurz
 6. Szczotka wielopowierzchniowa
 7. Kontakt antystatyczny
 8. Wskaźnik poziomu baterii
 9. Przycisk zwalniania akumulatora
 10. Stacja ładowania
 11. Przycisk zwalniania metalowej rury odkurzacza
 12. Metalowa rura odkurzacza
 13. Przycisk zwalniania szczotkę
- Rys. B**

Uwaga: Ilustracje w niniejszej instrukcji służą jedynie jako odniesienie w celach informacyjnych. Należy zapoznać się z rzeczywistym produktem.

Montaż

- Instalacja odkurzacza i akcesoriów
- Rys. C-1**

- Instalacja uchwyty ściennego
- Uchwyt należy zamontować w chłodnym i suchym miejscu z gniazdkiem elektrycznym w pobliżu. Przed montażem należy upewnić się, że w przestrzeni, na której zamontowany zostanie uchwyt, nie ma rur, takich jak przewody wodne lub

gazowe, kanałów powietrznych, przewodów i kabli elektrycznych ani rur drenażowych.

1. Przed instalacją odmierzyć na ścianie wysokość 102 cm (40,2 cala) od podłogi.
2. Należy zaznaczyć i wywiercić dwa otwory o średnicy 8 mm (0,315 cala) w ścianie za pomocą wiertarki elektrycznej. A następnie włożyć kołki rozporowe do otworów.
3. Należy wyrównać otwory na uchwycie z otworami na ścianie, a następnie przymocować uchwyt do ściany za pomocą dołączonych śrub.

Rys. C-2

Operacja

Ładowanie

- Łączenie ładowarki z uchwytem ściennym
1. Obróć zatrzask w dolnej części uchwyty ściennego o 90 stopni w kierunku przeciwnym do ruchu wskazówek zegara, aby wyjąć go z uchwyty.
 2. Włóż przewód zasilacza do otworu zatrzasku.
 3. Obróć zatrzask o 90 stopni zgodnie z ruchem wskazówek zegara, aż zatrzask się na swoim miejscu.

Rys. D-1

- Umieść odkurzacz w uchwycie ściennym i wtyczkę adaptera w porcie ładowania.

Rys. D-2

- Wskaźnik poziomu baterii

Rys. D-3

Ładowanie

Akumulator naładowany

Ładowanie

Rozładowywanie

Poziom naładowania baterii ≥ 10%

Poziom naładowania baterii < 10%

Ciągłe białe Migające białe Wyłączony

Uwaga:

1. Odkurzacz nie można używać podczas ładowania.
2. Przed pierwszym użyciem należy naładować odkurzacz w pełni. To zajmie

około 4 godzin.

- Odkurzenie w trybie pełnej mocy przez dłuższy czas spowoduje nagrzanie baterii, co wydłuży czas ładowania. Przed ładowaniem zaleca się odstawienie odkurzacza do ostygnięcia na 30 minut.

Metoda pracy

Wciśnij i przytrzymaj przycisk zasilania, aby włączyć urządzenie, i zwolnij go, aby niezwłocznie zatrzymać.

Rys. D-4

Przełączanie poziomu ssania

Wcisnij krótko, aby przełączać między trybami eco, med i turbo.

Rys. D-5

Korzystanie z różnych akcesoriów

- Szczotka wielopowierzchniowa
 - Podczas używania na matach do zabaw dla małych dzieci, dywanach lub odkurzenia ziaren kawy, popcornu i innych granulek włącz przełącznik na szczotce.
 - Podczas odkurzenia płytek, podłóg drewnianych lub innych twardych powierzchni wyłącz przełącznik.

Rys. D-6

Uwaga:

- Szczotka wielopowierzchniowa może być podłączona bezpośrednio do odkurzacza.
 - Po uruchomieniu urządzenia przed szczotką rolkową automatycznie włączy się oświetlenie, co jest wygodne w użytku.
- Narzędzie kombinacyjne
Do odkurzenia kurzu z zasłon, klawiatur, sufitów, sof, wnętrz pojazdów, stolików kawowych itp.
- Rys. D-7**
- Zmotoryzowana mini szczotka
Do czyszczenia kurzu, sierści zwierząt domowych i innych uporczywych zanieczyszczeń z sof, pościeli i innych tkanin.
- Uwaga: Nie zaleca się odkurzenia na

delikatnych powierzchniach, takich jak jedwab.

Rys. D-8

Uwaga:

- Jeśli jakkolwiek ruchomy przedmiot utknie, odkurzacz zostanie automatycznie wyłączony a czyszczenie zostanie kontynuowane po usunięciu wszystkich zablokowanych ciał obcych.
- Jeśli bateria przegrzeje się, odkurzacz zostanie automatycznie wyłączony. Należy poczekać, aż temperatura baterii powróci do normy, aby odkurzacz zaczął działać ponownie.

Pielęgnacja i konserwacja

Środki ostrożności

- Należy zawsze używać oryginalnych części, aby gwarancja nie została unieważniona.
- Przed czyszczeniem należy upewnić się, że zasilacz jest odłączony. Należy uważać, aby nie uruchomić urządzenia.
- Jeżeli odkurzacz nie jest używany przez dłuższy czas, w pełni naładuj go, odłącz ładowarkę od sieci, wyjmij akumulator i przechowuj w chłodnym otoczeniu o niskiej wilgotności, z dala od promieni słonecznych. Aby uniknąć nadmiernego rozładowania akumulatora, doładuj go przynajmniej raz na trzy miesiące.

Czyszczenie odkurzacza

Należy używać miękkiej, suchej ściereczki.

Czyszczenie pojemnika na kurz, filtra wstępnego i zespołu cyklonów

Przed czyszczeniem pojemnika na kurz odłącz ładowarkę i utrzymuj przycisk zasilania odkurzacza w pozycji wyłączonej.

- Wciśnij przycisk zwalniania pojemnika na kurz i wyjmij go z odkurzacza.
- Rys. E-1**

- Zdejmij najpierw filtr wstępny, a następnie obróć układ cyklonu, aby go wyjąć.

Rys. E-2

- Opróżnij pojemnik na kurz.

Rys. E-3

- Przemyj do czysta zespół cyklonu, filtr wstępny i pojemnik na kurz. Po umyciu susz na powietrzu przez przynajmniej 24 godziny.

Rys. E-4

Uwaga:

- Zalecane jest czyszczenie pojemnika na kurz po użyciu.
- Zaleca się czyszczenie zespołu cyklonów i filtra wstępnego co najmniej raz na 3-4 miesiące.

Montaż pojemnika na kurz, filtra wstępnego i zespołu cyklonów

- Zainstaluj zespół cyklonu i filtr wstępny w pojemniku na kurz.
- Rys. E-5**
- Należy lekko przechylić pojemnik na kurz, aby jego szczelina była wyrównana z zatrzaskiem na odkurzaczu. Następnie należy delikatnie wsunąć pojemnik na kurz, aż zatrzasknie się na właściwym miejscu.
- Rys. E-6**

Czyszczenie filtra

Zaleca się czyszczenie filtra raz na 4-6 miesięcy.

- Należy zdjąć pojemnik na kurz, jak pokazano na ilustracji.
- Rys. E-7**
- Należy wyjąć filtr z odkurzacza, pociągając go w dół w kierunku pokazanym na ilustracji.
- Rys. E-8**
- Myj filtr obracając go o 360°. Lekko opukaj wielokrotnie filtr, aby usunąć zebrane na nim resztki.
- Rys. E-9**
- Uwaga:
- Do mycia filtra należy używać wyłącznie czystej wody. Nie należy używać

detergentów.

- Nie należy próbować czyścić filtra szczotką ani palcem.

- Należy pozostawić do wyschnięcia na 24 godziny.

Rys. E-10

Montaż filtra

- Włóż filtr do odkurzacza i delikatnie dociśnij, tak, jak pokazano na ilustracji poniżej.
- Rys. E-11**
- Ponownie zamontuj pojemnik na kurz.
- Rys. E-12**

Wymiana pakietu akumulatora

Odkurzacz zawiera wymienny akumulator litowo-jonowy, który ma ograniczoną liczbę cykli ładowania. Po dłuższym czasie użytkowania akumulator może zostać naładowany. Jeśli tak się stanie, oznacza to, że akumulator osiągnął koniec żywotności i wymaga wymiany.

- Naciśnij przycisk zwalniania akumulatora i przesunij akumulator w prawo, w celu wyjęcia go, tak, jak pokazano na ilustracji poniżej.
 - Zamontuj nowy akumulator.
- Rys. E-13**

Czyszczenie szczotki wielopowierzchniowej

- Przekręć blokadę w kierunku przeciwnym do ruchu wskazówek zegara, aż się zatrzyma, a następnie wyjmij wałek ze szczotki rolkowej.
- Rys. E-14**
- Za pomocą nożyczek przetrnij włosy i włókna, które utknęły na wałku szczotki. Wytrzyj kurz z nacięcia i przezroczystej pokrywy suchą szmatką lub papierowym ręcznikiem. Dokładnie wysusz przed użyciem.
- Rys. E-15**
- Jeśli zabrudzony, przepłucz wałek szczotki czystą wodą, aż będzie czysty.
- Rys. E-16**

- Postaw wałek szczotki w pozycji pionowej na co najmniej 24 godziny, aż do całkowitego wyschnięcia.

Rys. E-17

Czyszczenie zmotoryzowanej mini szczotki

- Użyć pokrętkła, jak pokazano na rysunku, aby obrócić blokadę w lewo, aż usłyszysz kliknięcie.
- Po odblokowaniu zmotoryzowanej mini-szczotki, wyjmij wałek szczotki, a następnie oplucz i wyczyść go.
- Postaw wałek szczotki w pozycji pionowej w dobrze wentylowanym miejscu przez co najmniej 24 godziny, aż do całkowitego wyschnięcia.
- Po wyschnięciu wałka szczotki zamontuj go ponownie, wykonując czynności demontażu w odwrotnej kolejności.

Rys. E-21

Podstawowe parametry

Odkurzacz	
Model	VPV11A
Moc znamionowa	370 W
Napięcie znamionowe	25,2 V ===
Czas ładowania	około 4 godziny
Szczotka wielopowierzchniowa	
Model	VMB9
Moc znamionowa	40 W
Napięcie znamionowe	25,2 V ===

Zmotoryzowana mini szczotka	
Model	VPA1
Moc znamionowa	20 W
Napięcie znamionowe	25,2 V ===
Zasilacz	
Model	ZD012M300065EU
Wejście	100-240 V~ 50/60 Hz 0,5 A
Wyjście	30 V === 0,65 A
Średnia sprawność podczas pracy	85,36%
Wydajność przy niskim obciążeniu (10%)	75,35%
Pobór mocy bez obciążenia	0,1 W
Akumulator litowo-jonowy	
Model	V2316-7S1P-SCA
Napięcie znamionowe	25,2 V ===
Pojemność nominalna	2500 mAh
Pojemność znamionowa	2300 mAh
Prąd	57,96 Wh

Najczęściej zadawane pytania

Jeśli odkurzacz nie działa prawidłowo, należy zapoznać się z poniższą tabelą rozwiązywania problemów.

Błędy	Możliwe przyczyny	Rozwiązania
Odkurzacz nie działa.	Odkurzacz jest rozładowany lub poziom akumulatora jest niski.	Należy naładować baterię w pełni i kontynuować użytkowanie.
	Tryb ochrony przed przegrzaniem został wywołany blokadą.	Należy oczyścić otwory ssące lub kanał powietrzny. Poczekaj aż temperatura urządzenia spadnie i uruchom je ponownie.
	Otwór ssący lub kanał powietrzny jest zablokowany.	Należy usunąć wszelkie ciała obce z otworu ssącego lub kanału powietrznego.
Słaba siła ssania.	Pojemnik na kurz jest pełny i/lub filtr jest zatkany.	Należy opróżnić pojemnik na kurz i wyczyścić filtr.
	Akcesoria są zablokowane.	Należy oczyścić akcesoria z wszelkich ciał obcych.
Silnik wydaje dziwny dźwięk.	Główny otwór ssący lub metalowa rura odkurzacza jest zablokowana.	Należy usunąć wszelkie obce przedmioty z głównego otworu ssącego lub metalowej rury odkurzacza.
Wskaźnik akumulatora jest ciągle czerwony podczas ładowania odkurzacza.	Akumulator jest uszkodzony.	Proszę skontaktować się z działem obsługi posprzedażowej.
Wskaźnik akumulatora miga na czerwono po włączeniu odkurzacza.	Za wysoka temperatura silnika. / Wałek szczotki jest zablokowany. / Kanał powietrzny jest zatkany.	Sprawdź kolejno te części.
Wskaźnik akumulatora nie świeci się w czasie ładowania.	Zasilacz nie jest podłączony do odkurzacza.	Upewnij się, że zasilacz jest prawidłowo podłączony.
	Akumulator jest w pełni naładowany i przeszedł w tryb uśpienia.	Odkurzacz może być normalnie użytkowany.
Odkurzacz ładuje się powoli.	Jeśli po wykluczeniu powyższych dwóch możliwości problem nadal występuje.	Proszę skontaktować się z biurem obsługi posprzedażowej.
	Temperatura akumulatora jest za niska lub za wysoka.	Należy poczekać i kontynuować użytkowanie, kiedy temperatura akumulatora wróci do normy.
Światła LED szczotki wielopowierzchniowej nie działają.	Światła LED są uszkodzone.	Proszę skontaktować się z biurem obsługi posprzedażowej.

- Akumulator litowo-jonowy zawiera substancje, które są niebezpieczne dla środowiska. Przed utylizowaniem odkurzacza należy wyjąć akumulator, a następnie wyrzucić go lub poddać recyklingowi zgodnie z lokalnymi przepisami i regulacjami kraju lub regionu, w których jest używany.
- Podczas wyjmowania baterii urządzenie musi być odłączone od źródła zasilania. Baterie należy przechowywać w miejscu niedostępnym dla dzieci. Nigdy nie należy wkładać baterii do ust. W przypadku połknięcia należy skontaktować się z lekarzem lub lokalnym centrum zatrucia.
- W trudnych warunkach nigdy nie należy dotykać baterii, z których może wytrysnąć ciecz. Jeśli dojdzie do przypadkowego kontaktu, opłukać wodą. W przypadku kontaktu cieczy z oczami należy natychmiast zwrócić się o pomoc lekarską. Ciecz wpływająca z baterii może powodować podrażnienia lub oparzenia.

Informacje dot. utylizacji w UE (WEEE)



Wszystkie produkty opatrzone tym symbolem są zużytym sprzętem elektrycznym i elektronicznym (WEEE, jak w dyrektywie 2012/19/UE), którego nie należy mieszać z niesortowanymi odpadami komunalnymi. Należy chronić zdrowie ludzkie i środowisko poprzez przekazanie sprzętu specjalnemu punktowi zbiórki odpadów do recyklingu zużytego sprzętu elektrycznego i elektronicznego, wyznaczonego przez władze rządowe lub lokalne. Prawidłowa utylizacja i recykling pomogą zapobiec potencjalnym negatywnym skutkom dla środowiska i zdrowia ludzkiego. Aby uzyskać więcej informacji na temat lokalizacji oraz warunków takich punktów zbiórki, należy skontaktować się z producentem lub władzami lokalnymi.

Veiligheidsinstructies

Om ongelukken, waaronder elektrische schokken of brand, door onjuist gebruik te voorkomen, dient u deze handleiding zorgvuldig door te lezen en deze voor toekomstig gebruik te bewaren.

Waarschuwing

- Dit product mag niet zonder toezicht van een ouder of voogd worden gebruikt door kinderen jonger dan 8 jaar of personen met fysieke, zintuigelijke of geestelijke tekortkomingen of met beperkte ervaring of kennis, om een veilige bediening te waarborgen en risico's te vermijden. Schoonmaken en onderhoud mogen niet door kinderen worden uitgevoerd zonder toezicht.
- Deze stofzuiger is geen speelgoed. Kinderen mogen niet met dit product spelen en het niet gebruiken. Wees voorzichtig als u de stofzuiger in de buurt van kinderen gebruikt. Laat kinderen de stofzuiger niet schoonmaken of onderhouden zonder dat ze onder toezicht van een ouder of voogd staan.
- Gebruik de stofzuiger niet buiten of op natte oppervlakken. Gebruik de stofzuiger alleen binnen, op droge oppervlakken. Raak de stekker of onderdelen van de stofzuiger nooit met natte handen aan.
- Om het risico op brand, explosies of verwondingen te verkleinen dient u er vóór gebruik op te letten dat de lithiumbatterij en de oplader onbeschadigd zijn. Gebruik de stofzuiger niet als de lithiumbatterij of de oplader beschadigd is.
- De multi-oppervlakteborstel, de zachte rolborstel, de gemotoriseerde miniborstel, de batterij, de metalen verbindingspin en de stofzuiger zijn elektrisch geleidend en mogen niet in water of een andere vloeistof worden ondergedompeld. Droog na het reinigen altijd alle filters.
- Voorkom verwondingen veroorzaakt door bewegende onderdelen. Schakel de stofzuiger uit voordat u de borstel voor meerdere oppervlakken en de zachte rolborstel reinigt. De borstel voor meerdere oppervlakken, de zachte rolborstel, het stofreservoir en het filter moeten allemaal goed geplaatst zijn voordat u de stofzuiger gebruikt.
- Gebruik alleen de originele oplader. Gebruik nooit een niet-originele oplader, omdat dit ervoor kan zorgen dat de lithiumbatterij in brand vliegt.
- Gebruik de stofzuiger niet om ontvlambare of brandbare vloeistoffen zoals benzine, bleekmiddel, ammoniak, ontstoppers of andere vloeistoffen mee op te zuigen.
- Gebruik de stofzuiger niet om scherpe of harde voorwerpen zoals glas, spijkers, schroeven of munten mee op te zuigen, dit kan het apparaat beschadigen. Gebruik de stofzuiger niet om gipsplaatdeeltjes, as uit een open haard of brandende materialen zoals kolen, sigaretten of lucifers mee op te zuigen.
- Controleer het te reinigen oppervlak voordat u begint. Om te voorkomen dat openingen verstopt raken dient u papier, plastic, doekjes of scherpe voorwerpen (zoals glas, spijkers, schroeven, munten, etc...) of ieder voorwerp dat groter is dan de openingen, te verwijderen.
- Houd haar, losse kleding, vingers en andere lichaamsdelen uit de buurt van de openingen in de stofzuiger en bewegende onderdelen. Richt het verlengstuk, de staaf of het gereedschap niet op uw ogen of oren en stop ze niet in uw mond.
- Steek geen voorwerpen in de openingen van de stofzuiger. Gebruik de stofzuiger niet als er een opening geblokkeerd is. Houd de openingen vrij van stof, pluizen, haar of andere materialen die de luchtstroom kunnen verminderen.
- Laat de stofzuiger niet tegen een stoel, tafel of andere onstabiele voorwerpen

rusten, dit kan beschadigingen aan het toestel of verwondingen veroorzaken. Als de stofzuiger beschadigd raakt doordat deze is gevallen of een storing heeft, neem dan contact op met onze servicedesk. Probeer nooit zelf het apparaat te demonteren.

- Alle instructies in de handleiding t.a.v. het opladen van de batterij moeten strict gevolgd worden. Het niet opladen van de batterij binnen het aangegeven temperatuurbereik kan de batterij beschadigen.
- Gebruik alleen accessoires en vervangingsonderdelen die door de fabrikant worden aanbevolen.
- Wees extra voorzichtig bij het stofzuigen van de trap.
- Zorg dat de stekker niet in het stopcontact zit als de stofzuiger lange tijd niet gebruikt wordt, en voordat er onderhoudswerkzaamheden of reparaties aan verricht worden.
- Gebruik en installeer dit product niet buiten, in badkamers of in de buurt van een zwembad, en laad het daar ook niet op.
- Waarschuwing voor brandgevaar: doe geen geurstoffen in het filter van de stofzuiger. Dit soort producten bevatten brandbare chemicaliën die ervoor kunnen zorgen dat de stofzuiger in brand vliegt.
- Gebruik alleen een originele oplader (Model ZD012M300065EU). Zo niet, dan kan hierdoor de lithiumbatterij in brand vliegen.
- Gebruik alleen het aangegeven batterijtype (Model V2316-7S1P-SCA). Zo niet, dan kan hierdoor de lithiumbatterij in brand vliegen.
- Als er batterijmateriaal vrijkomt, verwijdert u personeel uit de omgeving totdat de batterijen zijn afgekoeld en de dampen zijn verdwenen.
- Zorg voor maximale ventilatie om gevaarlijke gassen af te voeren en vermijd contact met huid en ogen of inademing van dampen.
- Verwijder gemorste vloeistof met een absorberend middel en verbrand het afval.
- Gebruik en berg niet op in extreem hete of koude ruimtes (lager dan 0°C /32°F of hoger dan 40°C /104°F). Laad de snoerloze stofzuiger alleen op in temperaturen boven 0°C /32°F en onder 40°C /104°F.
- Dit product is alleen voor thuisgebruik bedoeld.
- De voedingsklemmen mogen niet worden kortgesloten.

Symbolen



Lees de gebruikershandleiding



Afneembare voedingseenheid

We Dreame Trading (Tianjin) Co., Ltd. verklaart hierbij, dat dit apparaat in overeenstemming is met de betreffende Richtlijnen en Europese Normen en herzieningen hieraan. De volledige tekst van de EU-conformiteitsverklaring is beschikbaar via het volgende internetadres: <https://global.dreametech.com>

Voor een gedetailleerde digitale handleiding zie <https://global.dreametech.com/pages/user-manuals-and-faqs>

Accessoires

1. Uitschuifbuis
2. Combinatiegereedschap
3. Oplader
4. Borstel voor meerdere oppervlakken
5. Muurbevestiging (Inclusief schroef x2, muurplug x2)
6. Gemotoriseerde miniborstel
Afb. A

Namen van onderdelen

1. Aan/Uit-knop (indrukken om aan te zetten/loslaten om uit te zetten)
2. Statusindicator voor zuigkrachtniveau
Turbo : Med : Eco ·
3. Knop voor zuigkrachtniveau
⊙
4. Stofreservoir
5. Ontgrendelingsknop voor stofreservoir
6. Borstel voor meerdere oppervlakken
7. Antistatisch contact
8. Batterijstatusindicator
9. Ontgrendelknop voor batterij
10. Oplaadaansluiting
11. Ontgrendelknop van uitschuifbuis
12. Uitschuifbuis
13. Borstelontgrendelingsknop
Afb. B

Opmerking: de afbeeldingen in deze handleiding zijn slechts ter illustratie. Het werkelijke product kan er anders uitzien.

Installatie

- Installatie van stofzuiger en accessoires
Afb. C-1
- Montage van de muurbevestiging

De muurbevestiging moet worden geïnstalleerd op een koele, droge ondergrond met een stopcontact in de buurt. Controleer vóór de installatie of er zich geen elektrische draden of leidingen in de ruimte direct achter de installatiepositie bevinden.

1. Meet vóór de installatie de muur op een hoogte van 102 cm boven de grond.
2. Markeer en boor twee gaten van 8 mm diameter in de muur met een elektrische boor. Steek de muurpluggen in de gaten.
3. Lijn de gaten op de bevestiging uit met de gaten in de muur. Draai de schroeven in de muur om de beugel vast te zetten.

Afb. C-2

Bediening

Opladen

- De oplader aansluiten op de muurbevestiging
 1. Draai de clip aan de onderkant van de muurbevestiging 90 graden linksom om deze uit de bevestiging te verwijderen.
 2. Steek het snoer van de oplaadadapter in de inkeping van de clip.
 3. Draai de clip 90 graden rechtsom tot deze vastklikt.

Afb. D-1

- Zet de stofzuiger op de muurbevestiging en steek de adapter in de oplaadpoort.

Afb. D-2

- Batterijstatusindicator

Afb. D-3

Opladen

- Volledig opgeladen
- ☀️ Opladen

Ontladen

- Batterijniveau ≥ 10%
- ☀️ Batterijniveau < 10%

○ Continu wit ⚡️ Knipperend wit ● Uit

Opmerking:

1. De stofzuiger kan niet worden gebruikt tijdens het opladen.
2. Laad de stofzuiger volledig op voordat u deze vóór het eerst gebruikt. Dit zal ongeveer 4 uur duren.
3. Van het langdurig gebruik van de Turbomodus wordt de batterij erg warm, dat verhoogt de oplaadtijd.

Laat de stofzuiger 30 minuten afkoelen voordat u het oplaadt.

Werkwijze

Houd de aan/uit-knop ingedrukt om het apparaat te starten, en laat de knop los om onmiddellijk te stoppen.

Afb. D-4

Zuigkracht aanpassen

Druk kort om te schakelen tussen eco-, med- en turbomodus.

Afb. D-5

Het gebruik van de diverse accessoires

- Borstel voor meerdere oppervlakken
 - Bij gebruik op baby speelmatten, tapijten of voor het opzuigen van koffiebonen, popcorn en andere korrels, zet u de schakelaar op de borstel aan.
 - Zet de schakelaar uit bij het stofzuigen op tegels, houten vloeren of andere harde oppervlakken.

Afb. D-6

Opmerking:

- De borstel voor meerdere oppervlakken kan direct aan de stofzuiger worden bevestigd.
 - Wanneer het apparaat start, gaan de lampjes voor de borstelrol automatisch branden, wat handig is voor het gebruik.
- Combinatiegereedschap
Geschikt voor het stofzuigen van spleten, hoekjes rond deuren en ramen, trappen en andere moeilijk bereikbare plaatsen.

Afb. D-7

- Gemotoriseerde miniborstel
Voor het opzuigen van vuil, huisdierenhaar en ander moeilijk te verwijderen vuil vanaf banken, beddegoed en andere stoffen oppervlakken.
Opmerking: het is niet aan te raden de stofzuiger te gebruiken op kwetsbare oppervlakken zoals zijde.

Afb. D-8

Opmerking:

- Als een draaiend onderdeel vast

komt te zitten kan de stofzuiger automatisch uitschakelen. Verwijder vastzittende vreemde voorwerpen en begin opnieuw.

- Als de batterij oververhit raakt, schakelt de stofzuiger zich automatisch uit. Wacht totdat de batterij is afgekoeld en begin opnieuw.

Zorg en onderhoud

Tips:

- Gebruik altijd originele onderdelen zodat uw garantie niet verloopt.
- Als het filter of de mond verstopt raakt gaat de stofzuiger uit, kort nadat deze is aangezet. Haal de rommel uit de buis en begin opnieuw.
- Als de stofzuiger gedurende langere tijd niet wordt gebruikt, laadt u deze volledig op, haalt u de stekker uit het stopcontact, verwijdert u de batterij en bewaart u deze in een koele, vochtarme omgeving uit de buurt van direct zonlicht. Om overmatige ontlading van de batterij te voorkomen, laadt u de batterij ten minste eenmaal per drie maanden op.

De stofzuiger schoonmaken

Veeg de stofzuiger af met een zachte, droge doek.

Het stofreservoir, het voorfilter en de cycloonbehuizing schoonmaken

Voordat u het stofreservoir schoonmaakt, moet u de oplader loskoppelen en de aan/uit-knop van de stofzuiger in de uit-stand houden.

- Druk op de ontgrendelingsknop van het stofreservoir en verwijder deze van de stofzuiger.

Afb. E-1

- Verwijder eerst het voorfilter en draai vervolgens het cycloonsysteem om deze eruit te halen.

Afb. E-2

- Maak het stofreservoir leeg.

Afb. E-3

- Spoel de cyclooneenheid, het voorfilter en het stofreservoir schoon. Na het wassen minimaal 24 uur aan de lucht

laten drogen.

Afb. E-4

Opmerking:

- Het wordt aanbevolen het stofreservoir na gebruik te reinigen.
- Het wordt aanbevolen het cycloonsysteem en het voorfilter ten minste om de 3 à 4 maanden te reinigen.

Het stofreservoir, het voorfilter en de cycloonbehuizing installeren

- Installeer de cycloon en het voorfilter in het stofreservoir.

Afb. E-5

- Kantel het stofreservoir een klein beetje zodat de sleuf tegenover de beugel op de stofzuiger zit. Druk vervolgens voorzichtig het stofreservoir naar beneden totdat deze vastklikt.

Afb. E-6

Het filter schoonmaken

Het wordt aangeraden om het filter eenmaal per 4 à 6 maanden schoon te maken.

- Verwijder het stofreservoir zoals aangegeven in de afbeelding.

Afb. E-7

- Verwijder het filter uit de stofzuiger door deze omlaag te trekken in de richting zoals aangegeven in de afbeelding.

Afb. E-8

- Spoel het filter door het 360° te draaien. Tik een paar keer lichtjes op het filter om eventueel vastzittend vuil te verwijderen.

Afb. E-9

Opmerking:

- Gebruik alleen schoon water om het filter te wassen. Gebruik geen schoonmaakmiddel.
- Probeer het filter niet met een borstel of met uw vingers te reinigen.

- Laat het filter 24 uur drogen.

Afb. E-10

Het filter installeren

- Plaats het filter in de stofzuiger en druk het voorzichtig aan, zoals aangegeven.

Afb. E-11

- Monteer het stofreservoir opnieuw.

Afb. E-12

De batterij vervangen

De stofzuiger bevat een uitneembaar oplaadbaar lithium-ion batterijpakket die een beperkt aantal malen kan worden opgeladen. Na veelvuldig gebruik kan het zijn dat het batterijpakket geen lading meer vasthoudt. Als dit gebeurt heeft het batterijpakket het einde van zijn levensduur bereikt en dient het vervangen te worden.

- Druk op de ontgrendelknop van het batterijpakket en schuif het batterijpakket naar rechts om het te verwijderen, zoals aangegeven.

- Plaats het nieuwe batterijpakket.

Afb. E-13

De Borstel voor meerdere oppervlakken schoonmaken

- Draai de vergrendeling linksom totdat deze stopt en verwijder vervolgens de rol van de rolborstel.

Afb. E-14

- Gebruik een schaar om de haren en vezels af te knippen die aan de borstelrol vastzitten. Veeg het stof met een droge doek of keukenpapier uit de inkeping en de doorzichtige behuizing. Laat het vóór gebruik goed drogen.

Afb. E-15

- Als het vuil is, spoel de borstelroldan met schoon water totdat deze schoon is.
Afb. E-16
- Zet de borstelrol 24 uur rechtop totdat deze volledig droog is.
Afb. E-17

De gemotoriseerde miniborstel reinigen

- Gebruik, zoals afgebeeld, een munt om de vergrendeling linksom te draaien tot u een klik hoort.
Afb. E-18
- Verwijder de borstelrol na het ontgrendelen van de gemotoriseerde miniborstel en spoel en reinig deze.
Afb. E-19
- Zet de borstelrol tenminste 24 uur rechtop in een goed geventileerde ruimte totdat deze volledig droog is.
Afb. E-20
- Zodra de borstelrol droog is, plaats deze dan weer terug door de demontage-instructies in omgekeerde volgorde uit te voeren.
Afb. E-21

Specificaties

Stofzuiger	
Model	VPV11A
Gemeten vermogen	370 W
Gemeten spanning	25,2 V ===
Oplaatdijd	ongeveer 4 uur
Borstel voor meerdere oppervlakken	
Model	VMB9
Gemeten vermogen	40 W
Gemeten spanning	25,2 V ===
Gemotoriseerde miniborstel	
Model	VPA1
Gemeten vermogen	20 W
Gemeten spanning	25,2 V ===

Oplader	
Model	ZD012M300065EU
Ingang	100-240 V~ 50/60 Hz 0,5 A
Uitgang	30 V === 0,65 A
Gemiddeld actief Efficiëntie	85,36%
Efficiëntie bij lage lading (10%)	75,35%
Onbelast vermogen Verbruik	0,1 W
Opladbaar Lithium-ion batterijpakket	
Model	V2316-7S1P-SCA
Nominale spanning	25,2 V ===
Nominale capaciteit	2500 mAh
Gemeten capaciteit	2300 mAh
Energie	57,96 Wh

VGv

Als de stofzuiger niet goed werkt, raadpleeg dan de tabel hieronder.

Fouten	Mogelijke oorzaken	Oplossingen
De stofzuiger werkt niet.	De batterij is leeg of bijna leeg.	Laad de stofzuiger volledig op, hervat vervolgens het gebruik.
	Oververhittingsbescherming ingeschakeld door een verstopping.	Reinig de zuigopeningen of de luchtinlaat. Wacht totdat de stofzuiger is afgekoeld, activeer het dan opnieuw.
	Zuigopening of luchtinlaat is verstopt.	Verwijder de verstopping uit de zuigopening of de luchtinlaat.
Zuigkracht is laag.	Stofreservoir is vol en/of filterbehuizing is verstopt.	Ledig het stofreservoir en reinig de filterbehuizing.
	Accessoire zit verstopt.	Verwijder verstoppingen uit het accessoire.
Motor maakt een raar geluid.	Hoofd-zuigopening of uitschuifbuis is verstopt.	Verwijder verstoppingen uit de hoofd-zuigopening of de uitschuifbuis.
De batterij-indicator is continu rood tijdens het opladen van de stofzuiger.	Batterijpakket is beschadigd.	Neem met de klantenservice contact op voor een onderhoudsafspraak.
De batterij-indicator knippert rood na het inschakelen van de stofzuiger.	De motortemperatuur is te hoog. / De borstelrol is geblokkeerd. / Het luchtkanaal is verstopt.	Controleer deze onderdelen achtereenvolgens.
Het batterij-indicatielampje licht niet op tijdens het opladen.	De oplader past niet goed in de stofzuiger.	Controleer op de oplader goed is aangesloten op de stofzuiger.
	De batterij is opgeladen en schakelt automatisch over in de slaapmodus. Als het probleem blijft terugkeren na het uitsluiten van de twee bovenstaande mogelijkheden.	De stofzuiger functioneert normaal.
Het opladen gaat te langzaam	Batterijtemperatuur is te laag of te hoog.	Neem met de klantenservice contact op voor een onderhoudsafspraak.
De LED-lampjes van de borstel voor meerdere oppervlakken werken niet.	LED-lampjes zijn beschadigd.	Wacht totdat de batterij is afgekoeld en probeer het opnieuw.
		Neem contact op met de klantenservice voor onderhoud.

- Het lithium-ion batterijpakket bevat materialen die schadelijk zijn voor het milieu. Voordat u de stofzuiger weggooit dient u eerst het batterijpakket te verwijderen en het vervolgens weg te gooien of te recyclen in overeenstemming met de plaatselijke wet- en regelgeving van het land of de regio waar het wordt gebruikt.
- Bij het verwijderen van de batterij moet het apparaat van het lichtnet worden losgekoppeld. Houd batterijen buiten het bereik van kinderen. Stop batterijen nooit in de mond. Indien ingeslikt, neem contact op met uw arts of de plaatselijke gifdienst.
- Bij misbruik dient u nooit in contact te komen met de batterij waaruit de vloeistof kan vrijkomen. In geval van toevallig contact, met water uitspoelen. Als vloeistof in de ogen komt, onmiddellijk medische hulp inroepen. Vloeistof die uit de batterij komt kan irritatie of brandwonden veroorzaken.

لتجنب الإصابات المختلفة مثل الصدمات الكهربائية والحرق الناجم عن الاستخدام غير السليم، يرجى قراءة دليل التعليمات بعناية قبل الاستخدام والاحتفاظ به بشكل صحيح.

تحذير

- يمنع استخدام هذا المنتج من قبل الأشخاص ذوي الإعاقات الجسدية أو الحسية أو الذهنية، والأشخاص الذين ليس لديهم الخبرة والمعرفة الكافية (بما في ذلك الأطفال)، ما لم يكن هناك إشراف أو توجيه من شخص ذو كفاءة للتأكد من أنه يمكنهم استخدام هذا المنتج بأمان.
- يمنع الأطفال من استخدام المنتج أو تشغيله، وعند استخدام هذا المنتج بحيط الأطفال من الضروري الانتباه إليه والمراقبة عن كثب، ومنع الأطفال من تنظيف المنتج أو صيانته.
- يحظر استخدام الجهاز في الهواء الطلق أو على الأسطح الرطبة بل ينصح باستخدامه على الأسطح الجافة في الداخل، لا تلمس القابس أو أي جزء من الجهاز بيد مبللة.
- لمنع حدوث حريق أو انفجار أو إصابة، يرجى التحقق مما إذا كانت بطارية الليثيوم والشاحن تالفاً قبل الاستخدام، ويحظر استخدام المكينة الكهربائية في حالة تلف بطارية الليثيوم أو الشاحن.
- تتميز الفرشاة متعددة الأسطح، والفرشاة الدوارة الناعمة، والفرشاة الصغيرة المزودة بمحركات، والبطارية، وقابس التوصيل المعدني، والمكينة الكهربائية بأنهم جميعاً متصلين بالكهرباء ولا ينبغي غمرهم في الماء أو أي سائل آخر، لذلك يجب الحرص على تجفيف جميع الفلاتر بعد التنظيف.
- منع حدوث الإصابات التي تسببها الأجزاء المتحركة، حيث يتم إيقاف تشغيل المكينة الكهربائية قبل تنظيف الفرشاة متعددة الأسطح وفرشاة الأسطوانة الناعمة. ويجب تركيب الفرشاة متعددة الأسطح وفرشاة الأسطوانة الناعمة وحجرة الغبار والفلتر بشكل صحيح قبل استخدام المكينة الكهربائية.
- استخدم الشاحن الأصلي فقط، ولا تستخدم محولات غير رسمية، خلاف ذلك قد يؤدي الى اشتعال النيران في بطارية الليثيوم.
- لا تستخدم المنتج لامتناع الماء والبنزين والسوائل الأخرى القابلة للاشتعال والانفجار، ولا تستنشق المحاليل السامة، مثل مبيض الكلور أو الأمونيا أو منظفات الصرف الصحي أو السوائل الأخرى.
- يحظر استخدام المكينة الكهربائية لتنظيف الجير والاسمنت ومسحوق الجبس ورماد الموقد والرماد وكميات كبيرة من الطحين ومسحوق الكربون وما إلى ذلك، ويحظر استنشاق الدخان أو المواد المحترقة مثل الفحم أو أعقاب السجائر أو أعواد الثقاب.
- التحقق من المنطقة المراد تنظيفها قبل الاستخدام ضروري جداً، لتجنب وجود قطعاً كبيرة من الورق أو كرات ورقية أو قطعة قماش بلاستيكية أو أشياء حادة (مثل الزجاج والمسامير والبراغي والعملات المعدنية، إلخ)، بالإضافة إلى الأشياء التي يزيد قطرها عن قطر القش، يرجى استبعادها مسبقاً لتجنب انسداد الفوهة والتأثير على الاستخدام العادي للمنتج.
- احتفظ بالشعر والملابس الفضفاضة والأصابع وأجزاء الجسم الأخرى في مئأى عن فتحات المكينة الكهربائية والأجزاء المتحركة. لا توجه ذراع الإطالة أو العصا أو المعدادات إلى عينيك أو أذنيك أو تضعها في فمك.
- يمنع وضع أي مادة على الفوهة. يحظر استخدام المكينة الكهربائية في حالة انسداد أي منفذ شفط، حيث قد يؤدي الغبار أو الصوف القطني أو الشعر أو أي عناصر أخرى إلى تقليل تدفق الهواء، يرجى تنظيفها في الوقت المناسب.
- تجنب وضع المكينة الكهربائية على أسطح غير مستقرة مثل الكراسي وطاولات الطعام وما إلى ذلك، لمنع تلف المكينة الكهربائية أو إصابة المستخدم عند السقوط. في حال سقوط المكينة الكهربائية أو تلفها أو بها عيوب أخرى، يرجى الاتصال بجهة الإصلاح الرسمية المعتمدة. لا تقم بإصلاحها وتفكيكها بنفسك.
- يرجى شحن البطارية بدقة وفقاً للإرشادات الواردة في الدليل، فقد يؤدي الشحن غير الصحيح خارج نطاق درجة الحرارة المحدد إلى تلف البطارية.
- استخدم فقط الملحقات وقطع الغيار التي أوصت بها الشركة المصنعة.
- يرجى فصل الجهاز من مصدر الكهرباء عند عدم الاستخدام لفترة طويلة، وقبل الصيانة أو الإصلاح.
- يرجى التركيز والانتباه عند الاستخدام وتنظيف السلالم خاصة.
- يرجى عدم تركيب أو شحن أو استخدام هذا المنتج في الهواء الطلق، وفي الحمام أو حول حوض السباحة.
- تحذير من مخاطر الحريق: لا تضع أي منتجات عطرية على فلتر هذا المنتج، ومن المعروف أن المواد الكيميائية الموجودة في هذه المنتجات قابلة للاشتعال ويمكن أن تتسبب في اشتعال المنتج.
- استخدم محول الطاقة الأصلي طراز ZD012M300065EU فقط، استخدم محولات أخرى فقد يؤدي الى اشتعال بطارية الليثيوم.
- استخدم بطارية طراز V2316-7S1P-SCA فقط، استخدم بطاريات أخرى فقد يؤدي الى اشتعال بطارية الليثيوم.
- إذا تم تحرير مادة البطارية، فأخرج الأفراد من المنطقة حتى تبرد البطاريات وتتبدد الأدخنة.
- قم بتوفير أقصى تهوية للتخلص من الغازات الخطرة وتجنب استنشاق الأبخرة أو جعلها تلامس البشرة والعينين.
- أزل السائل المنسكب باستخدام وسيلة مجففة واحرق النفايات.
- يجب عدم الإستخدام والتخزين في بيئة شديدة الحرارة أو البرودة (أقل من 0 درجة / 32 درجة فهرنهايت أو أعلى من 40 درجة / 104 درجة فهرنهايت). عند الشحن استخدم محول الطاقة الأصلي والشحن عند درجة حرارة 0 إلى 40 درجة مئوية.
- هذا المنتج مصمم للاستخدام المنزلي فقط.



Alle producten met dit symbool zijn afgedankte elektrische en elektronische apparatuur (AEEA zoals in Richtlijn 2012/19/EU) die niet samengevoegd mogen worden met ongesorteerd huishoudelijk afval. In plaats daarvan moet u de volksgezondheid en het milieu beschermen door uw afgedankte apparatuur in te leveren bij een door de overheid of de plaatselijke autoriteiten aangewezen inzamelpunt voor het recyclen van afgedankte elektrische en elektronische apparatuur. Een correcte verwijdering en recycling zal mogelijke negatieve gevolgen voor het milieu en de volksgezondheid helpen voorkomen. Neem contact op met de installateur of de plaatselijke autoriteiten voor meer informatie over de locatie en de voorwaarden van dergelijke inzamelpunten.

8 مم (0.315 بوصة) بواسطة استخدام مثقاب كهربائي. أدخل سدادات الحائط في الفتحات.
3. قم بمحاذاة فتحات التثبيت الخاصة بصندوق التثبيت على الحائط مع الفتحات الموجودة على الحائط ، وقم بتثبيتها على الحائط باستخدام المسامير.
الشكل C-2

الاستعمال

الشحن

• توصيل الشاحن بحامل الحائط

1. قم بتدوير المشبك المتحرك في أسفل الصندوق الثابت بقدار 90 درجة عكس اتجاه عقارب الساعة لإزالته.
2. أدخل سلك الطاقة للمهايئ من طرف الأحدود للمشبك.
3. قم بتدوير 90 درجة باتجاه عقارب الساعة لقفل المشبك.

الشكل D-1

• ضع المكنسة الكهربائية على حامل الحائط وقم بتوصيل المحول بمنفذ الشحن.
الشكل D-2

• مؤشر حالة البطارية

الشكل D-3

الشحن

○ الطاقة ممتلئة
☀️ الشحن

التفريغ

○ مستوى البطارية: $\leq 10\%$

☀️ مستوى البطارية: $> 10\%$

● مغلق ☀️ لون أبيض وامض ○ لون أبيض ثابت

ملاحظة:

1. لا يمكن استخدام المكنسة أثناء الشحن.
2. يرجى شحن البطارية بالكامل عند الاستخدام الأولي. سيستغرق هذا حوالي 4 ساعات.
3. يؤدي استخدام المكنسة في وضع التربو لفترة طويلة إلى ارتفاع درجة حرارة البطارية، مما يزيد من وقت الشحن. اترك المكنسة تبرد لمدة 30 دقيقة قبل شحنها.

طريقة العمل

اضغط مع الاستمرار على زر الطاقة الكهربائية لبدء تشغيل الجهاز، ثم اترك الزر وارفع يدك عنه للإيقاف فوراً.

الشكل D-4

تبديل مستوى الشفط

اضغط لفترة وجيزة للتبديل بين الوضع الاقتصادي الموفر والوضع المتوسط والوضع التبريد.

الشكل D-5

استخدام أدوات ملحقة أخرى

• فرشاة متعددة الأسطح

- عند الاستخدام على وسادات لعب الأطفال أو السجاد أو شفاط وتنظيف حبوب البن والفاشار وغيرها من الكريات بالمكنسة الكهربائية، قم بتشغيل المفتاح الموجود على الفرشاة.

- عند تنظيف البلاط أو الأرضيات الخشبية أو الأسطح الصلبة الأخرى بالمكنسة الكهربائية، قم بإيقاف تشغيل المفتاح.

الشكل D-6

ملاحظة:

1. الفرشاة متعددة الأسطح يمكن توصيلها مباشرة بالمكنسة الكهربائية.
2. عند بدء تشغيل الجهاز، ستضيء المصابيح الموجودة أمام أسطوانة الفرشاة تلقائياً، والذي يعد مناسباً للاستعمال.

• أداة الجمع

مناسبة لتنظيف الشقوق وزوايا الأبواب والنوافذ والسلالم وغيرها من الأماكن التي يصعب الوصول إليها.

الشكل D-7

• فرشاة كهربائية صغيرة

لتنظيف الأوساخ، وشعر الحيوانات الأليفة، وغيرها من الحطام الصعب من الأرائك، والفرش، والأسطح النسيجية الأخرى.

ملاحظة: لا يُنصح باستخدامها على سطح مواد سهلة التمزق وعرضة للخدش (مثل الحرير، إلخ).

الشكل D-8

ملاحظة:

1. قد يتوقف المنتج تلقائياً عند توقف أي جزء دوار، بعد إزالة جميع الأجسام الغريبة العالقة، يمكنك الاستمرار في استخدامه.
2. عند ارتفاع درجة حرارة المحرك، ستتوقف المكنسة الكهربائية تلقائياً. انتظر حتى تعود درجة حرارة البطارية إلى وضعها الطبيعي، ثم استأنف الاستخدام.

العناية والصيانة

تلميحات:

1. استخدم دائماً قطع الغيار الأصلية لإبقاء الضمان سارياً.
2. في حالة انسداد الفلتر أو الفوهة، ستتوقف

• لا يجب أن تكون محطات الإمداد الطرفية ذات دائرة قصيرة.

رموز

اقرأ دليل المش

وحدة إمداد قابلة للفصل

للحصول على دليل إلكتروني مفصل، يُرجى الانتقال إلى <https://global.dreametech.com/pages/user-manuals-and-faq>

الملحقات

1. ذراع تمدي
 2. أداة الجمع
 3. محول الطاقة
 4. فرشاة متعددة الأسطح
 5. صندوق تثبيت جداري (بما في ذلك المسامير 2 × 2، مقبس الحائط 2 × 2)
 6. فرشاة كهربائية صغيرة
- الشكل A

اسم الاجزاء

1. زر الطاقة الكهربائية (اضغط عليه للتشغيل / اتركه لإيقاف التشغيل)
2. مؤشر حالة مستوى الشفط
3. زر مستوى الشفط
4. سلة جمع الغبار
5. زر تحرير كوب الغبار
6. فرشاة متعددة الأسطح
7. نقطة مضادة للكهرباء الساكنة
8. مؤشر حالة البطارية
9. زر فك البطارية
10. منفذ الشحن
11. زر تحرير حبل التطويل
12. ذراع تمدي
13. زر فتح الفرشاة

الشكل B

نصيحة: الرسوم التوضيحية في هذا الدليل هي للإشارة فقط، يرجى الرجوع للمظهر الفعلي.

التركيب

• تركيب المكنسة الكهربائية والمُخفّات الإضافية

الشكل C-1

• التعليق والتثبيت على الحائط

يجب أن يكون موقع صندوق تثبيت الحائط في مكان بارد وجاف مع وجود مصدر طاقة قريب ، وتأكد من عدم وجود أسلاك أو أنابيب ومرافق أخرى مباشرة خلف منطقة التركيب.

1. قبل التثبيت، قم بقياس الجدار على ارتفاع

102 سم (40.2 بوصة) فوق الأرض.

2. ضع علامة ومن ثم اثقب في الحائط ثقبين بقطر

- ضع رأس الفرشاة في وضع قائم لمدة 24 ساعة على الأقل حتى يجف تمامًا.

الشكل E-17

تنظيف الفرشاة الكهربائية الصغيرة

- استخدم عملة معدنية لتدوير القفل عكس اتجاه عقارب الساعة حتى تسمع صوت نقرة.

الشكل E-18

- بعد فتح الفرشاة الصغيرة الآلية، وأخرج بكرة الفرشاة، ثم نظفها جيدًا.

الشكل E-19

- ضع بكرة الفرشاة في وضع مستقيم في منطقة جيدة التهوية لمدة 24 ساعة على الأقل حتى تجف تمامًا.

الشكل E-20

- بمجرد أن تجف بكرة الفرشاة، أعد تثبيتها باتباع خطوات التفكيك في الاتجاه المعاكس.

الشكل E-21

المواصفات

المكنسة	
الطراز	VPV11A
الطاقة المقدرة	370 W
الجهد المقدر	25.2 V ===
مدة الشحن	حوالي 4 ساعات
فرشاة متعددة الأسطح	
الطراز	VMB9
الطاقة المقدرة	40 W
الجهد المقدر	25.2 V ===
فرشاة كهربائية صغيرة	
الطراز	VPA1
الطاقة المقدرة	20 W
الجهد المقدر	25.2 V ===

محول الطاقة	
الطراز	ZD012M300065EU
الإدخال	100-240 V~ 50/60 Hz 0.5 A
الإخراج	30 V === 0.65 A
متوسط الكفاءة النشطة	85.36%
كفاءة التحميل المنخفض (10%)	75.35%
استهلاك الطاقة بدون حمل	0.1 W
علبة بطارية ليثيوم أيون القابلة للشحن	
الطراز	V2316-7S1P-SCA
الجهد الاسمي	25.2 V ===
السعة الاستيعابية الطبيعية	2500 mAh
السعة المقدرة	2300 mAh
الطاقة	57.96 Wh

- المكنسة عن العمل بعد فترة وجيزة من تشغيلها، ولإستعادة العمل، قم بتنظيف الفلتر أو الفوهة.
- 3. إذا لم يتم استخدام المكنسة الكهربائية لفترة طويلة، فقم بشحنها بالكامل، وأفضل الشاحن الخاص بها، وأخرج البطارية وخذنها في بيئة باردة منخفضة الرطوبة بعيدًا عن أشعة الشمس المباشرة. لتجنب التفريغ الزائد لشحنة البطارية، قم بإعادة شحن البطارية مرة واحدة على الأقل كل ثلاثة أشهر.

تنظيف المكنسة

امسح المكنسة باستخدام قطعة قماش جافة وناعمة.

نظف سلة جمع الغبار والفلتر ومكونات النظام المخروطي

قبل تنظيف كوب الغبار، افصل الشاحن وأبقِ زر طاقة المكنسة الكهربائية في وضع إيقاف التشغيل.

- اضغط على زر تحرير كوب الغبار و قم بإزالته من المكنسة الكهربائية.

الشكل E-1

- قم في البداية بإزالة الفلتر الأولي، ثم قم بتدوير جهاز الفصل الدوّامي لرفعه للخارج.

الشكل E-2

فَرِّغ كوب الغبار.

الشكل E-3

- اشطف مجموعة الفصل الدوّامي والفلتر الأولي وكوب الغبار حتى تصبح نظيفة. بعد الغسيل، جفف بالهواء لمدة 24 ساعة على الأقل.

الشكل E-4

ملاحظة:

1. يوصى بتنظيف كوب الغبار بعد الاستخدام.
2. ينصح بتنظيف النظام المخروطي ومجموعة الفرّاة المخروطية.

تركيب سلة جمع الغبار والفلتر الأولي ومكونات النظام المخروطي

- قم بتركيب مجموعة الفصل الدوّامي والفلتر الأولي في كوب الغبار.

الشكل E-5

- قم بإزالة سلة جمع الغبار قليلاً حتى تتوافق فتحتها مع المشبك الموجود على المكنسة الكهربائية. ثم ادفع سلة جمع الغبار برفق حتى تثبت في مكانها.

الشكل E-6

تنظيف مرشح الداخلي

ينصح بغسلة مرة كل 4-6 أشهر.

- أزل سلة جمع الغبار كما هو مبين في الصورة.

الشكل E-7

- اسحب لأسفل في الاتجاه الموضح لإزالة مرشح الداخلي من الجهاز الرئيسي.

الشكل E-8

- اشطف الفلتر مع تدويره 360 درجة. اطرق برفق على الفلتر عدة مرات لإزالة أي بقايا عالقة فيه.

الشكل E-9

ملاحظة:

1. يرجى الغسل بالماء النظيف، وعدم استخدام أي منظف.
2. تجنب استخدام الفرشاة أو الأصابع لتنظيف فلتر.
- قم بتعريض فلتر الداخلي للهواء لمدة 24 ساعة على الأقل لضمان التجفيف الكامل.

الشكل E-10

تركيب فلتر الداخلي

- قم بتركيب فلتر الداخلي مرة أخرى في الجهاز الرئيسي كما هو موضح في الشكل واضغط عليه برفق.

الشكل E-11

- قم بإعادة تركيب سلة جمع الغبار.

الشكل E-12

استبدال صندوق البطارية

تحتوي المكنسة الكهربائية على علبة بطارية ليثيوم أيون القابلة للإزالة ولإعادة الشحن والتي تحتوي على عدد محدود من دورات إعادة الشحن. بعد الاستخدام الممتد، قد لا تحتفظ علبة البطارية بشحنة واحدة. وفي حال حدوث هذا الأمر، تكون علبة البطارية قد وصلت إلى نهاية دورة عمرها التشغيلي وتحتاج إلى استبدالها.

- اضغط لأسفل على زر تحرير علبة البطارية واسحب البطارية إلى اليمين، كما هو موضح، لإزالتها.

• ثبت علبة البطارية الجديدة.

الشكل E-13

تنظيف فرشاة الأسطح المتعددة

- لف المزلاج عكس اتجاه عقارب الساعة حتى يتوقف، ثم قم بإزالة البكرة من الفرشاة الدوّارة.

الشكل E-14

- استخدم المقص لقص الشعر والألياف الملتصقة ببكرة الفرشاة، امسح الأتربة من الشقوق والغطاء الشفاف بقطعة قماش جافة أو منشفة ورقية، ثم جففه جيدًا قبل الاستخدام.

الشكل E-15

- عندما تكون متسخة، اشطف رأس الفرشاة بالماء النظيف حتى تصبح نظيفة.

الشكل E-16

السئلة الشائعة

إذا كانت المكنسة ال تعمل بشكل صحيح، فيرجى الرجوع إلى جدول استكشاف الأخطاء وإصلاحها أدناه.

الأخطاء	الأسباب المحتملة	الحلول
المكنسة الكهربائية لا تعمل.	بطارية المكنسة فارغة أو منخفضة.	اشحن المكنسة بالكامل ثم استأنف التشغيل.
	تم تشغيل وضع الحماية من السخونة الزائدة بسبب انسداد.	تنظيف قناة أو مدخل شفط الغبار وإعادة التشغيل بعد التبريد.
انخفضت قوة الشفط.	انسداد قناة أو مدخل شفط الهواء.	تنظيف قناة أو مدخل شفط الغبار.
	سلة الغبار ممتلئة، الفلتر مليء بالغبار ومسدود.	أفرغ السلة من الغبار ونظف الفلتر.
وجود صوت غريب عند تشغيل المحرك.	انسداد الملحقات.	نظف انسداد الملحقات.
مؤشر البطارية يكون بلون أحمر ثابت عند شحن المكنسة الكهربائية.	تعرضت فتحة الشفط أو ذراع التمديد إلى الانسداد.	أزل أي حواجز موجودة في فتحة الشفط الرئيسية أو ذراع التمديد.
يوميض مؤشر البطارية	البطارية تالفة.	يرجى الاتصال بخدمة ما بعد البيع للإصلاح.
يوميض مؤشر البطارية باللون الأحمر بعد تشغيل المكنسة الكهربائية.	درجة حرارة المحرك مرتفعة للغاية. / أسطوانة الفرشاة مسدودة. / أنبوب التهوية مسدود.	تحقق من هذه الأجزاء علي التوالي.
لا يضيء مؤشر البطارية أثناء الشحن.	الجهاز الرئيسي لا يتصل جيداً بمحول الطاقة.	تأكد من محول الطاقة موصل بشكل صحيح.
	البطارية مشحونة بالكامل ودخلت في وضع السكون.	يمكن استخدام المكنسة الكهربائية في الوضع الطبيعي.
البطارية تشحن ببطء.	إذا استمرت المشكلة بعد استبعاد الاحتمالين المذكورين أعلاه،	يرجى الاتصال بخدمة ما بعد البيع للإصلاح.
	درجة حرارة البطارية مرتفعة أو منخفضة للغاية.	يرجى الانتظار حتى تعود درجة حرارة البطارية إلى وضعها الطبيعي قبل الشحن.
لا تعمل مصابيح الإضاءة LED الخاصة بالفرشاة متعددة الأسطح.	مصابيح الإضاءة LED تالفة.	يرجى الاتصال بخدمة ما بعد البيع للإصلاح.

- تحتوي علبة بطارية ليثيوم أيون على مواد خطيرة على البيئة. قبل التخلص من المكنسة الكهربائية، يرجى أولاً إزالة علبة البطارية، ثم التخلص منها أو إعادة تدويرها وفقاً للقوانين واللوائح المحلية للبلد أو المنطقة التي تستخدم فيها.
- قبل إزالة البطارية يرجى فصل الجهاز عن مصدر الطاقة، احتفظ بالبطاريات بعيداً عن متناول الأطفال، لا تضع البطاريات في الفم أبداً. في حالة الابتلاع، اتصل بطبيبك أو بمركز مكافحة السموم المحلي.
- عند حدوث أي أعطال تجنب لمس البطارية التي تقوم بتسريب سوائل، إذا لامس السائل الجلد اشطفه بالماء جيداً، إذا لامس السائل العيون، اطلب المساعدة الطبية على الفور. قد يتسبب السائل المنبعث من البطارية في حدوث تهيج أو حروق.

لمنיעت تاונות לרבות מכת חשמל או שריפה הנגרמות כתוצאה משימוש לא נכון, אנא קראו מדריך זה בקפידה טרם השימוש במוצר ושמרו אותו אצלכם לעיון בעתיד.

הוראות בטיחות

- מוצר זה מותר לשימוש על ידי ילדים בני 8 ומעלה ועל ידי אנשים הסובלים מקלות גופנית, תחושתית או שכלית, או בעלי ניסיון מוגבל או ידע מצומצם במידה והם נמצאים תחת השגחת הורה או מישהו ששומר עליהם וזאת על מנת להבטיח הפעלה בטוחה ולמנוע סכנות מכל סוג שהוא. פעולות הניקיון והתחזוקה לא יבוצעו על ידי ילדים ללא השגחה.
- שואב האבק אינו צעצוע. חל איסור על ילדים לשחק עם המוצר או להפעילו. אנא נקטו זהירות בעת השימוש בשואב האבק בקרבת ילדים. אין לאפשר לילדים לנקות או לבצע פעולות תחזוקה של שואב האבק אלא אם כן יש עליהם השגחה מצד הורה או אדם ששומר עליהם.
- אין לעשות שימוש בשואב האבק שטח פתוח או על גבי משטחים רטובים. השתמשו בשואב האבק רק על גבי משטחים יבשים במקומות סגורים. אין לגעת בתקע החשמל או בכל חלק אחר של שואב האבק בידיים רטובות.
- על מנת למנוע סכנת ההתלקחות, הפיצוץ או הפגיעה, וודאו כי סוללת הליתיום ומתאם הטעינה אינם פגומים טרם השימוש. אין לעשות שימוש בשואב האבק במידה וסוללת הליתיום או המטען פגומים.
- המברשת הרב-משטחית, מברשת הגלגלת הרכה, המברשת מיני הממונעת, הפין המתכתי המתחבר, והשואב מוליכים חשמל ואין לטבול אותם במים או בנוזל אחר. הקפד לייבש את כל הפילטרים לאחר ניקוי.
- מנע פציעות הנגרמות מחלקים נעים. כבה את השואב לפני ניקוי המברשת הרב-משטחית ומברשת הגלגלת הרכה. יש להתקין כראוי את המברשת הרב-משטחית, מברשת הגלגלת הרכה, תא האבק והפילטר לפני שימוש בשואב.
- יש להתשמש ככל האפשר במטען המגיע עם המוצר. אין לעשות שימוש במתאם שאינו רשמי, כיוון שהדבר עשוי לגרום להתלקחות של סוללת הליתיום.
- אין לעשות שימוש בשואב האבק ל שאיבת נוזלים מתלקחים או דליקים, כגון בנזין או חומר מלבין, אמוניה, תכשירי ניקוי לניקוי תעלות או נוזלים אחרים.
- אין לעשות שימוש בשואב האבק לשאיבת חלקיקים של קיר גבס, אפר כגון אפר של קמין או חומרים המעלים עשן או בוערים כגון פחם, בדלי סיגריות או גפרורים.
- יש לבצע סריקה של המשטח המיועד לשאיבה, ובמקרה שמוצאים חתיכות גדולות של נייר, פלסטיק או דברים חדים (כגון זכוכית, מסמרים, ברגים או מטבעות, אשר עשויים לגרום נזק למכונה). או כל דבר שגדול מפתח השאיבה, יש לפנותו לפני השאיבה על מנת למנוע חסימה של המכשיר.
- הרחק שיער, ביגוד רופף, אצבעות ואיברי גוף אחרים מפתחי השואב ומחלקיו הנעים. אין לכוון את מוט ההארכה, השרביט או כלי עבודה לעבר העיניים או האזניים או להכניסם לפה.
- אין להכניס שום חפץ לתוך פתחי שואב האבק. אין לעשות שימוש בשואב האבק עם פתחים חסומים. הרחיקו אבק, מוך, שערות או פריטים אחרים שעשויים לצמצם את זרימת האוויר.
- השתמשו רק באביזרים ובחלקי חילוף המומלצים על ידי היצרן.
- אין להשעין את שואב האבק נגד כיסא, שולחן או משטח לא יציב אחר, כיוון שהדבר עשוי לגרום נזק למכונה או לפגיעה אישית. במידה ושואב האבק ניזוק בעקבות הפלה שלו או שיש בו תקלה מכל סוג אחר, אנא צרו קשר עם מחלקת השירות המוסמכת שלנו. לעולם אין לנסות ולפרק את המכשיר בעצמכם.
- יש להקפיד לנהוג בהתאם לכל ההוראות המופיעות במדריך זה המתקשרות לטעינה חוזרת של הסוללה. כשל בטעינה נכונה של הסוללה בטווח הטמפרטורה המצוין עלול לגרום נזק לסוללה.
- השתמשו רק באביזרים ובחלקי חילוף המומלצים על ידי היצרן.
- וודאו כי שואב האבק מנותק ממקור החשמל כאשר אינו בשימוש למשך פרקי זמן ארוכים כמו גם טרם ביצוע פעולות תחזוקה או תיקון מכל סוג שהוא.
- אנא נקטו זהירות יתרה בעת השימוש בשואב האבק לניקוי מדרגות.

אביזרים

1. מוט הארכה
2. כלי שילוב
3. מתאם מתח
4. מברשת מרובת משטחים
5. קופסה קבועה של משטח קיר(כולל בורג 2X, שקע חשמל 2X)
6. מברשת מיני ממונעת איור א'

שמות החלקים

1. כפתור הפעלה (לחץ להדלקה/שחרור לכיבוי)
2. מחוון מצב רמת יניקה
3. טורבו : בינוני : אקו . לחצן רמת יניקה
4. מיכל האבק
5. כפתור שחרור כוסית אבק
6. מברשת מרובת משטחים
7. נקודה אנטי-סטטי
8. מחוון מצב סוללה
9. כפתור הסרת חבילת הסוללה
10. שקע טעינה
11. כפתור שחרור מוט מאריך
12. מוט הארכה
13. לחצן שחרור מברשת איור ב'

תזכורת: תמונות המפרט מיועדות לעיון בלבד, על המראה בפועל מבוסס על המוצר עצמו.

התקנה

- התקנת שואב ואביזרים איור ג'-1
- התקנת תושבת קיר

על התיבה הקבועה של משטח הקיר להיות ממוקמת במקום קריר ויבש עם ספק כוח בקרבת מקום על מנת להבטיח שאין מתקנים כמו חוטים או צינורות מאחורי אזור ההתקנה.

1. לפני התקנה, מדוד את הקיר בגובה 102 ס"מ (40.2 אינץ') מעל הקרקע.
2. סמנו ודקחו שני חורים קטנים בקיר בקוטר 8 mm עם מקדחה חשמלית. הכניסו

3. יישר את חורי ההרכבה של התיבה הקבועה של משטח הקיר עם החורים בקיר והדק אותו לקיר בעזרת ברגים. איור ג'-2

פעולה

השימוש במוצר:

- חיבור המטען לתושבת הקיר
- 1. הסר את האבזם הזו בתחתית התיבה הקבועה על ידי סבוב של 90° נגד כיוון השעון.
- 2. הדק את קווי המתאם מהקצה החריץ של האבזם.
- 3. נעל את האבזם על ידי סיבוב 90° של עם כיוון השעון.
- איור ד'-1
- הנח את השואב על תושבת הקיר וחבר את המתאם ליציאת הטעינה. איור ד'-2
- מחוון מצב סוללה איור ד'-3
- טוען
- סוללה טעונה במלואה
- ☀️ טוען
- פריקה
- כמות סוללה <= 10%
- ☀️ כמות סוללה > 10%
- כבוי ☀️ לבן מהבהב ○ לבן קבוע

הערה:

1. אין אפשרות לעשות שימוש בשואב האבק בזמן טעינה.
2. הטעינו את שואב האבק עד הסוף טרם השימוש בו בפעם הראשונה. זה ייקח בערך 4 שעות.
3. שאיבה במצב טורבו למשך פרק זמן ממושך תגרום להתחממות של הסוללה, דבר המגדיל את זמן הטעינה. תנו לשואב האבק להתקרר במשך 30 דקות טרם טעינתו.

שיטת עבודה

לחץ והחזק את לחצן ההפעלה כדי להפעיל את המכשיר, ושחרר את הלחצן כדי להפסיק מיד. איור ד'-4

- אין להתקין, להטעין או לעשות שימוש במוצר זהבשטחים פתוחים, בחדרי אמבטיה או סביב בריכה.
- אזהרה מפני סכנת התלקחות: אין לשים כל סוג שהוא של חומר ריחני לתוך מסנן שואב האבק. מוצרים מהסוג הזה ידועים כמכילים חומרים כימיים מתלקחים שעשויים לגרום להתלקחות של שואב האבק.
- השתמש רק במטען המקורי (דגם, ZD012M300065EU) כדי למנוע סכנת התלקחות של סוללת הליתיום-יון.
- השתמש רק בסוללה המאושרת (דגם V2316-7S1P-SCA) כדי למנוע סכנת התלקחות של סוללת הליתיום-יון.
- אם משתחרר חומר מהמצבר, הרחק את אנשי הצוות מהאזור עד שהמצברים יתקררו והאדים יתפזרו.
- דאג לאוורור מרבי, כדי לפזר גזים מסוכנים ולמנוע שאיפה או מגע של האדים עם העור או העיניים.
- נקה כל נזול שנשפך באמצעות חומר סופג ושרוף את הפסולת.
- אין להשתמש ולאחסן בסביבות חמות או קרות במיוחד (מתחת ל-0°C/32° פרנהייט ומעל 40°C/104° פרנהייט). בשימוש בסוללה המקורית יש להטעין בטמפרטורת טעינה של בין 0°C ל-40°C.
- מוצר זה נועד לשימוש ביתי בלבד.
- אין לגרום לקצר במסופי אספקת החשמל.

סמלים

- 📖 קרא את המדריך של האופרטו
- 🔌 יחידת אספקה הניתנת להסרה

לעיון במדריך מקוון מפורט, בקר בכתובת
<https://global.dreameotech.com/pages/user-manuals-and-faqs>

- הסירו את תא האבק כפי שנראה בצירוף. איור ה-7
- הסירו את סנן ה- משואב האבק על ידי משיכתו מטה בכיוון שנראה בצירוף. איור ה-8
- שטוף את המסנן בעזרת סיבוב ב-360 מעלות. הקש קלות על המסנן מספר פעמים כדי להסיר כל פסולת שנתפסה בו. איור ה-9

הערה:

1. השתמשו רק במים נקיים כדי לשטוף את המסנן. אל תשתמשו בחומרי ניקוי.
2. אל תנסו לנקות את ה- עם מברשת או עם אצבע.
- תנו למסנן ה- להתייבש באוויר 24 שעות. איור ה-10

התקנת סנן ה-

- הכניסו את סנן ה- לתוך שואב האבק ודחפו אותו למטה בעדינות, לפי הדוגמה. איור ה-11
- התקינו מחדש את תא האבק. איור ה-12

החלפת מארז הסוללות

שואב האבק מכיל מארז סוללות ליתיום-יון, שניתנת להסרה, בעל מספר מוגבל של מחזורי טעינה. לאחר שימוש ממושך, ייתכן שמארז הסוללות כבר לא יחזיק בטעינה. אם זה קורה, המשמעות היא שחבילת הסוללה הגיעה לסוף מחזור החיים שלה ויש להחליפה.

- לחץ כלפי מטה על לחצן השחרור של חבילת הסוללות והחלק אותה, כפי שמתואר בתרשים, להסרתה.
- התקן את הסוללה החדש. איור ה-13

ניקוי המברשת מרובת המשטחים

- סובבו את המנעול נגד כיוון השעון עד שהוא נעצר, ואז הסירו את הגלגלת מהמברשת הגלגלית. איור ה-14
- השתמשו במספריים כדי לגזור את השערות והסיבים שנתקעים על גלגלת המברשת. נגבו את האבק מהחריץ והכיסוי השקוף במטלית יבשה או במגבת נייר. יש לייבש ביסודיות לפני השימוש. איור ה-15

- כאשר ראש המברשת מלוכלך, נקו אותו במים זורמים עד שהוא נקי. איור ה-16
- יש להחזיק את גלגלת המברשת זקופה למשך 24 שעות לפחות עד שהיא מתייבשת לחלוטין. איור ה-17

ניקוי מברשת המיניממונעת

- השתמשו במטבע בהתאם לאיור לסיבוב הנעילה כנגד כיוון השעון עד שתשמעו צליל הקלקה. איור ה-18
- לאחר ביטול הנעילה של המיני-מברשת הממונעת, הסר את גלגלת המברשת, ולאחר מכן שטפו ונקו אותה. איור ה-19
- החזיקו את גלגלת המברשת זקופה באזור מאורר היטב למשך 24 שעות לפחות עד שהיא מתייבשת לחלוטין. איור ה-20
- לאחר ייבוש המברשת הגלגלית, התקינו אותה מחדש על ידי ביצוע שלבי הפירוק לאחור. איור ה-21

מפרטים טכניים

שואב אבק	
VPV11A	דגם
370 W	כוח חשמל מדורג
25.2 V ===	מתח מדורג
4 שעות בקירוב	זמן טעינה
מברשת מרובת משטחים	
VMB9	דגם
40 W	כוח חשמל מדורג
25.2 V ===	מתח מדורג

החלפת רמת ניקה

לחץ לחיצה קצרה כדי לעבור בין מצב הסכנו, מצב ביניים ומצב טורבו. איור ד-5

שימוש באביזרים אחרים

• מברשת מרובת משטחים

כאשר נעשה שימוש במכשיר על גבי משטחי פעילות לתינוק, שטיחים או כאשר שואבים פולי קפה, פופקורן ולכלוך קטן אחר, יש להפעיל את המברשת. כאשר שואבים מעל פני האריחים, רצפת עץ ומשטחים קשיחים אחרים, יש לכבות את המתג. איור ד-6

הערה:

1. ניתן לחבר את המברשת מרובת המשטחים ישירות לשואב.
2. כאשר המכשיר מופעל, האורות שלפני המברשת הגלגלית יידלקו באופן אוטומטי, וזה נוח לשימוש.

• כלי שילוב

מתאימה לשאיבת אבק מחריצים ופינות של דלתות וחלונות, מדרגות ומקומות אחרים קשים להגעה. איור ד-7

• מברשת מיני ממונעת

מתאים לשימוש לניקוי של אבק ושערות בעלי חיים על ספות, אריגים וכו' הערה: לא מומלץ לשימוש על משתחים שנפגעים בקלות (כגון משי וכו'). איור ד-8

הערה:

1. אם חלק מסתובב נתקע, הוואקום עלול להיכבות אוטומטית. הסירו את כל החפצים הזרים שנלכדו, ואז המשיכו להשתמש.
2. השואב ייכבה אוטומטית אם המנוע שלו יעבור למצב הגנה מפני התחממות יתר. המתינו עד שטמפרטורת המנוע תחזור לקדמותה לפני שתמשיכו להשתמש.

טיפול ותחזוקה

טיפים:

1. השתמשו תמיד בחלקים מקוריים על מנת למנוע ביטול של האחריות שלכם על המוצר.
2. במידה והמסנן או פי צינור נחסמים, שואב האבק יפסיק לפעול פרק זמן קצר לאחר שמכבים אותו. להחזרת תפקוד שואב האבק לקדמותו, נקו את המסנן או את פי הצינור ורק לאחר מכן המשיכו בשימוש.

אם לא נעשה שימוש בשואב האבק למשך תקופה ממושכת, טענו אותו במלואו, נתקו את המטען שלו, הסירו את הסוללה ואחסנו אותו בסביבה קרירה ועם לחות נמוכה, הרחק מאור שמש ישיר. כדי למנוע פריקת יתר של הסוללה, טענו מחדש את הסוללה לפחות אחת לשלושה חודשים.

ניקיון שואב האבק

נגבו את שואב האבק בעזרת מטלית יבשה ורכה.

נקיון תא האבק, המסנן ומערכת הציקלון

לפני ניקוי כוס האבק, נתק את המטען והשאר את לחצן ההפעלה של השואב במצב כבוי.

לחץ על לחצן שחרור כוסית האבק והסר אותה מהשואב.

• איור ה-1

הסר תחילה את המסנן המקדים, ולאחר מכן סובב את מערכת הציקלון כדי להרים אותה החוצה.

• איור ה-2

רוקן את כוסית האבק.

• איור ה-3

שטוף את מכלול הציקלון, המסנן המקדים וכוסית האבק עד שהם נקיים. לאחר השטיפה, יש לייבש באוויר לפחות 24 שעות.

• איור ה-4

הערה:

1. מומלץ לנקות את כוסית האבק לאחר שימוש.

2. מומלץ לנקות את מערכת הציקלון ואת המסנן לפחות פעם אחת ל-3 עד 4 חודשים.

התקנת תא האבק, הסנן ומערכת הציקלון

• התקן את מכלול הציקלון והמסנן המקדים בתוך כוסית האבק.

• איור ה-5

• הטו בעדינות את תא האבק למקומו בצורה ישירה עם האטם של שואב האבק. לחצו בעדינות על תא האבק בכיוון החץ עד שהוא נכנס למקומו (בהגעתו תישמע "קליק"). איור ה-6

נקיון מסנן ה-

מומלץ לנקות את מסנן ה- לפחות פעם בארבעה עד שישה חודשים.

במידה ושוואב האבק אינו פועל בצורה תקינה, אנא עיינו בטבלת איתור התקלות ופתרון הבעיות שלהלן.

שגיאות	סיבות אפשריות לשגיאות	פתרונות
שוואב האבק לא עובד.	שוואב האבק הינו ללא סוללה או מתח עבודה נמוך. מצב הגנה מפני התחממות יתר מופעל בעקבות חסימה.	הטעינו את שואב האבק במלואו ולאחר מכן השתמשו בו בשנית.
כוח יניקה חלש.	פתחת יניקה או מעבר דרכי מעבר האוויר חסומות. תא האבק מלא ו/או מכלול מסנני סתום. האבזיר סתום.	המתינו עד שהשוואב יתקרר וזו הפעילו אותו מחדש. נקו חסימות מפתחי יניקה או דרכי מעבר האוויר. רוקנו את תא האבק ונקו את מכלול מסנן. נקו חסימות באבזיר.
המנוע משמיע רעש מוזר.	פתח היניקה הראשי או מוט ההארכה חסומים.	נקו חסימות בפתח היניקה הראשי או במוט ההארכה.
מחונן הסוללה בצבע אדום קבוע בעת טעינת השואב.	הסוללה פגומה.	אנא צור קשר עם מוקד שירות הלקוחות לצורך תחזוקה.
מחונן הסוללה מהבהב בצבע אדום לאחר הדלקת השואב.	טמפרטורת המנוע גבוהה מדי / גלגלת השייח חסומה / צינור האוויר חסום.	בדוק את החלקים האלה בתורם.
חיווי הסוללה לא נדלק בזמן טעינה.	המתאם אינו מחובר לשואב האבק. הסוללה טעונה במלואה ועברה למצב שינה. במידה והבעיה ממשיכה לאחר שפסלתם את שתי האפשרויות שצוינו לעיל.	ודאו שמתאם החשמל מחובר כראוי. ניתן להשתמש באופן רגיל. אנא צרו קשר עם מוקד שירות הלקוחות לצורך תחזוקה.
נטען לאט.	טמפרטורת הסוללה נמוכה מדי או גבוהה מדי.	המתינו עד שהטמפרטורה של הסוללה תחזור למצב רגיל, אז המשיכו להשתמש.
נורות LED של המברשת מרובת המשטחים אינן פועלות.	נורות LED פגומות.	אנא צרו קשר עם מוקד שירות הלקוחות לצורך תחזוקה.

- מארז סוללת ליתיום-יון מכיל חומרים מסוכנים לסביבה. לפני שתיפטרו משואב האבק, ראשית הסירו את מארז הסוללה, ומחזרו אותו בהתאם לחוקים ולתקנות המקומיות של המדינה או האזור שבו הוא משמש.
- יש לנתק את המכשיר מספק החשמל בעת הסרת הסוללה. יש להרחיק סוללות מהישג ידם של ילדים. לעולם אל תשים סוללות בפה. במקרה של בליעה, יש לפנות לרופא או לבקרת רעלים מקומית.
- בתנאים פוגעניים, לעולם אל תיגע בסוללה שממנה ניתן להוציא את הנוזל. אם מגע בטעות, יש לשטוף במים. אם הנוזל מגע בעיניים, יש לפנות מיד לעזרה רפואית. נוזל שנפלט מהסוללה עלול לגרום לגירוי או לכוויות.

מברשת מיני ממונעת	
VPA1	דגם
20 W	כוח חשמל מדורג
25.2 V ===	מתח מדורג
מתאם מתח	
ZD012M300065EU	דגם
100-240 V~ 50/60 Hz 0.5 A	סיווג כניסת מתח
30 V === 0.65 A	סיווג יציאת מתח
85.36%	יעילות פעילה ממוצעת
75.35%	יעילות בעומס נמוך (10%)
0.1 W	צריכת חשמל ללא עומס
חבילת סוללת ליתיום ניטענת	
V2316-7S1P-SCA	דגם
25.2 V ===	מתח נומינלי
2500 mAh	קיבולת נומינלית
2300 mAh	סוללה קיבולת
57.96 Wh	אנרגיה