

---

项目名称

V2312

---

版本号

A00

---

设计时间

2022/12/18

---

物料名称

说明书（欧版）

---

设计师

张琴

---

审核

---

批准

---

料号

04170500001273

---

材质工艺要求

封面 157g 哑粉纸，内页 68g 哑粉纸 成品  
尺寸为 210\*140mm，胶装

颜色及专色

K 55

尺寸要求

140mm\*210mm

---

- The word "dreame" is the abbreviation of Dreame Technology Co., Ltd. and its subsidiaries in China. It is the transliteration of the company's Chinese name "追觅", which means striving for excellence in every endeavor and reflects the company's vision of continuous pursuit, exploration and search in technology.
- Das Wort "dreame" ist die Abkürzung von Dreame Technology Co., Ltd und seinen Tochterunternehmen in China. Es ist die Transliteration des chinesischen Namens "追觅" dieser Firma, was für das Streben nach Vollendung steht und die Vision des Unternehmens widerspiegelt, nämlich im Bereich der Technologie unaufhaltsam weiterzustreben, zu erforschen und entdecken.
- Dreame est l'abréviation de l'entreprise chinoise Dreame Technology Co. et ses filiales, qui est la traduction phonétique du nom chinois de l'entreprise, reflétant la vision de l'entreprise qui consiste à poursuivre, explorer et rechercher constamment les avancées technologiques.
- La parola "dreame" è l'abbreviazione dell'azienda Dreame Technology Co., Ltd. e delle sue filiali in Cina. È la traslitterazione del nome cinese dell'azienda "追觅", che dimostra la continua ricerca, esplorazione e visione di ricerca dell'azienda nella tecnologia.
- La palabra "dreame" es la abreviatura de Dreame Technology Co., Ltd. y sus subsidiarias en China. Es la transliteración del nombre chino de "Dreame", que significa luchar por la excelencia en cada esfuerzo y refleja la visión de la compañía de continuamente buscar, explorar e investigar en tecnológas.
- Dreame — сокращённое название китайской компании Dreame Technology Co., Ltd. и её дочерних предприятий. Dreame является транслитерацией названия компании на китайском языке «追觅», в котором отражено корпоративное видение компании в сфере науки и технологий — непрерывный поиск, исследования и стремление к успеху.
- Słowo "dreame" to skrót od Dreame Technology Co., Ltd. i spółek w Chinach. Jest to transliteracja chińskiej nazwy firmy "追觅" co oznacza dążenie do doskonałości w każdym przedsięwzięciu, odzwierciedlając wizję firmy, jaką jest ciągłe prowadzenie, odkrywanie i poszukiwania w nauce i technologii.
- Het woord "dreame" is de afkorting van Dreame Technology Co., Ltd. en haar dochterondernemen in China. Het is de transliteratie van de Chinese naam van het bedrijf "追觅", wat betekent streven naar uitmuntendheid in elke inspanning en de visie van het bedrijf van continu nastreven, verkennen en zoeken in technologie weerspiegelt.

- دريم هي مؤسسة صينية ويطلق على شركة دريم للتكنولوجيا المحدودة والشركات التابعة لها، وتعكس الترجمة الصوتية للمسمى الصيني "追觅" رؤية الشركة للسعي المستمر والاكتشاف والبحث في التكنولوجيا.
- Dreame הינו שמו המקוצר של החברה הישראלית Dreame Technology Co., Ltd. זהו תעתיק המבוסס על צליל השם הישראלי "追觅" וממחיש בתוכו את חזון החברה לחפש ולדרוף באופן בלתי פוסק בתחום הטכנולוגיה.



For more information & after-sales support, contact us via  
 aftersales@dreame.tech or <https://global.dreametech.com>  
 Manufactured by: Dreame Trading (Tianjin) Co., Ltd.  
 Made in China

VTV97A-EU-A00 02/2023





# Dreame R20 Cordless Stick Vacuum User Manual

# THANK YOU

FOR PURCHASING THIS DREAME  
VACUUM CLEANER.

---

## Registration Quick Start

Welcome to register a Dreame account  
by scanning the QR code.

You are available for the **User Manual**  
and **Special Offers**.



---

With it you are obtaining a high quality product that is engineered  
for optimal performance. If you have any questions on the product,  
please contact us: [aftersales@dreame.tech](mailto:aftersales@dreame.tech).

---

<b>EN</b>	User Manual .....	1
<b>DE</b>	Benutzerhandbuch .....	24
<b>FR</b>	Manuel d'utilisation .....	47
<b>IT</b>	Manuale utente .....	70
<b>ES</b>	Manual de usuario .....	93
<b>RU</b>	Руководство пользователя .....	116
<b>PL</b>	Instrukcja Obsługi .....	139
<b>NL</b>	Gebruiksaanwijzing .....	162
<b>AR</b>	دليل المستخدم .....	185
<b>HE</b>	מדריך למשתמש .....	207

# Safety Instructions

To prevent accidents including electric shock or fire caused by improper use, please read this manual carefully before use and retain it for future reference.

## Warning

- This product can be used by children aged from 8 years and above and persons with physical, sensory, intellectual deficiencies, or limited experience or knowledge under the supervision of a parent or guardian to ensure safe operation and to avoid any risk of hazards. Cleaning and maintenance shall not be carried out by children without supervision.
- The vacuum is not a toy. Children shall not play with or operate this product. Please exercise caution when using the vacuum near children. Do not allow children to clean or maintain the vacuum unless supervised by a parent or guardian.
- Do not use the vacuum outdoors or on wet surfaces. Only use the vacuum on dry indoor surfaces. Do not touch the plug or any part of the vacuum with wet hands.
- To reduce the risk of fire, explosion, or injury, make sure that the lithium battery and charging adapter are undamaged before use. Do not use the vacuum if either the lithium battery or charger is damaged.
- The smart multi-surface brush, motorized mini-brush, battery, carbon fiber rod, and vacuum are electrically conductive and should not be immersed in water or other liquid. Make sure to dry all filters after cleaning.
- To prevent injury caused by moving parts, turn off the vacuum before cleaning the smart multi-surface brush. The smart multi-surface brush, dust cup and filter must all be properly installed before using the vacuum.
- Only use the original charging adapter. Never use an unoriginal adapter, as this may cause the lithium battery to catch fire.
- Do not use the vacuum to pick up flammable or combustible liquids, such as gasoline, or bleach, ammonia, drain cleaners or other liquids.
- Do not use the vacuum to pick up drywall particles, ashes like fireplace ash, or smoking or burning materials such as coal, cigarette butts or matches.
- Check the area to be cleaned before use. To prevent the openings from being blocked, clear the larger paper, spitball, plastic cloth or sharp objects (such as glass, nails, screws, coins, etc.) and any object which is larger than openings.
- Keep hair, loose clothing, fingers and other parts of the body away from the vacuum's openings and moving parts. Do not point the hose, wand or tools at your eyes or ears or put them in your mouth.
- Do not put any object into the vacuum's openings. Do not use the vacuum with any opening blocked. Keep free of dust, lint, hair, or other items which may reduce airflow.
- Do not lean the vacuum against a chair, table, or other unstable surface, as this may cause damage to the machine or personal injury. If the vacuum becomes damaged or is otherwise malfunctioning, please contact our authorized service department. Never attempt to disassemble the device on your own.
- All instructions in the manual for recharging the battery must be strictly followed. Failure to properly charge the battery within the specified temperature range could damage the battery.

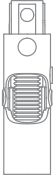
- Only use accessories and replacement parts recommended by the manufacturer.
- Make sure the vacuum is unplugged when not used for extended periods as well as prior to performing any maintenance or repairs.
- Please be extra careful when using the vacuum to clean stairs.
- Do not install, charge, or use this product outdoors, in bathrooms, or around a pool.
- Fire Hazard Warning: Do not apply any type of fragrance to the vacuum's filter. These types of products are known to contain flammable chemicals which may cause the vacuum to catch fire.
- Only use the original charger (Model ZD024M340090EU). Failing to do so may cause the lithium-ion battery to catch fire.
- Only use the approved battery type (Model P2033-8S1P-GYA). Failing to do so may cause the lithium-ion battery to catch fire.
- If the battery material is released, remove personnel from area until the batteries cool down and fumes dissipate.
- Provide maximum ventilation to clear out hazardous gases and avoid skin and eye contact or inhalation of vapors.
- Remove spilled liquid with absorbent and incinerate waste.
- Do not use and store in extremely hot or cold environments (below 0°C /32°F or above 40°C /104°F). Please charge the cordless vacuum in temperature above 0°C /32°F and below 40°C /104°F.
- This product is designed for home use only.

We, Dreame Trading (Tianjin) Co., Ltd., hereby, declares that this equipment is in compliance with the applicable Directives and European Norms, and amendments. The full text of the EU declaration of conformity is available at the following internet address: <https://global.dreameotech.com>

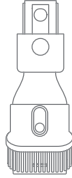
For detailed e-manual, please go to <https://global.dreameotech.com/pages/user-manuals-and-faqs>

# Product Overview

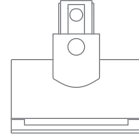
## Accessory List



Flexible Adapter



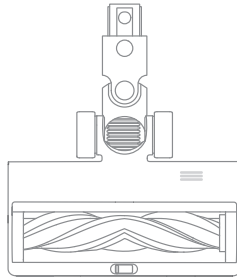
Wide Combination Tool



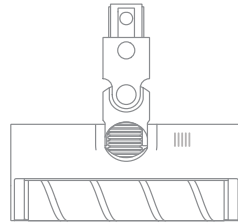
Motorized Mini-Brush



Carbon Fiber Rod



Smart Multi-Surface Brush



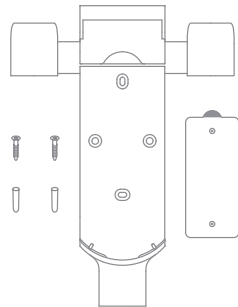
Soft Roller Brush



Flexible Combination Tool



Charger

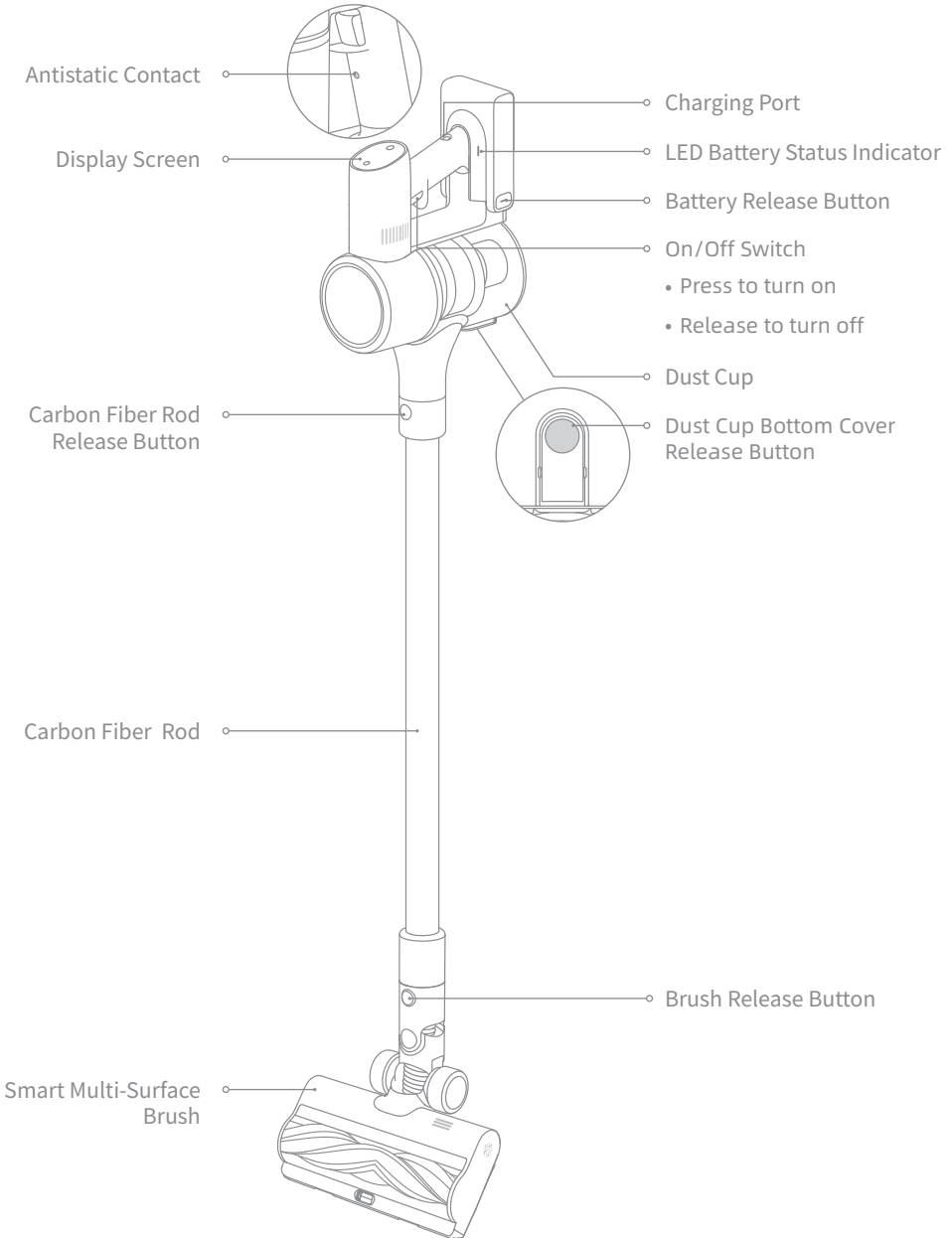


2-in-1 Charging & Storage Mount  
(Including screws ×2, wall plugs ×2, mounting template sticker ×1)

Note: The images in this manual are for illustrative purposes only. The actual product may differ.

# Product Overview

## Component Names



# Product Overview

## Introduction of Display Screen



High-temperature Alert



Roller Brush Stuck



Air Duct Blocked



Error

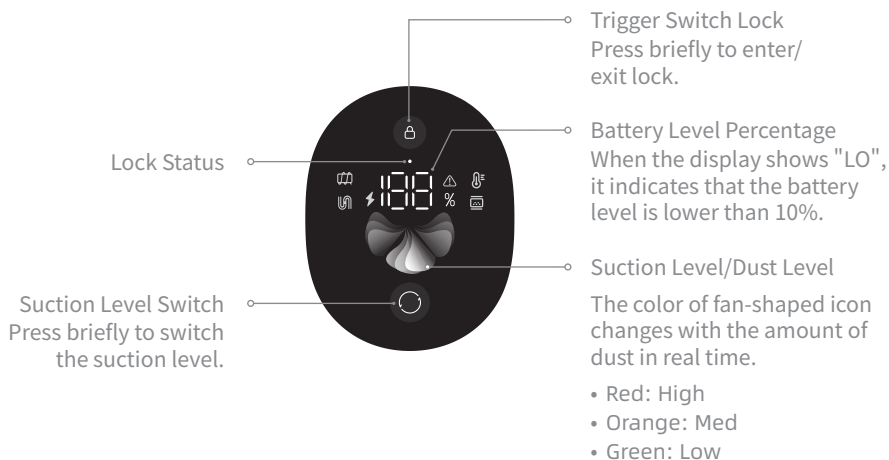


Filter uninstalled/Filter is expiring



Charging/Low Battery Level Indicator

- Blinking red: Battery level  $\leq$  10%
- Pulsing red: Battery level  $\leq$  10% (charging)
- Pulsing green: Battery level  $>$  10% (charging)

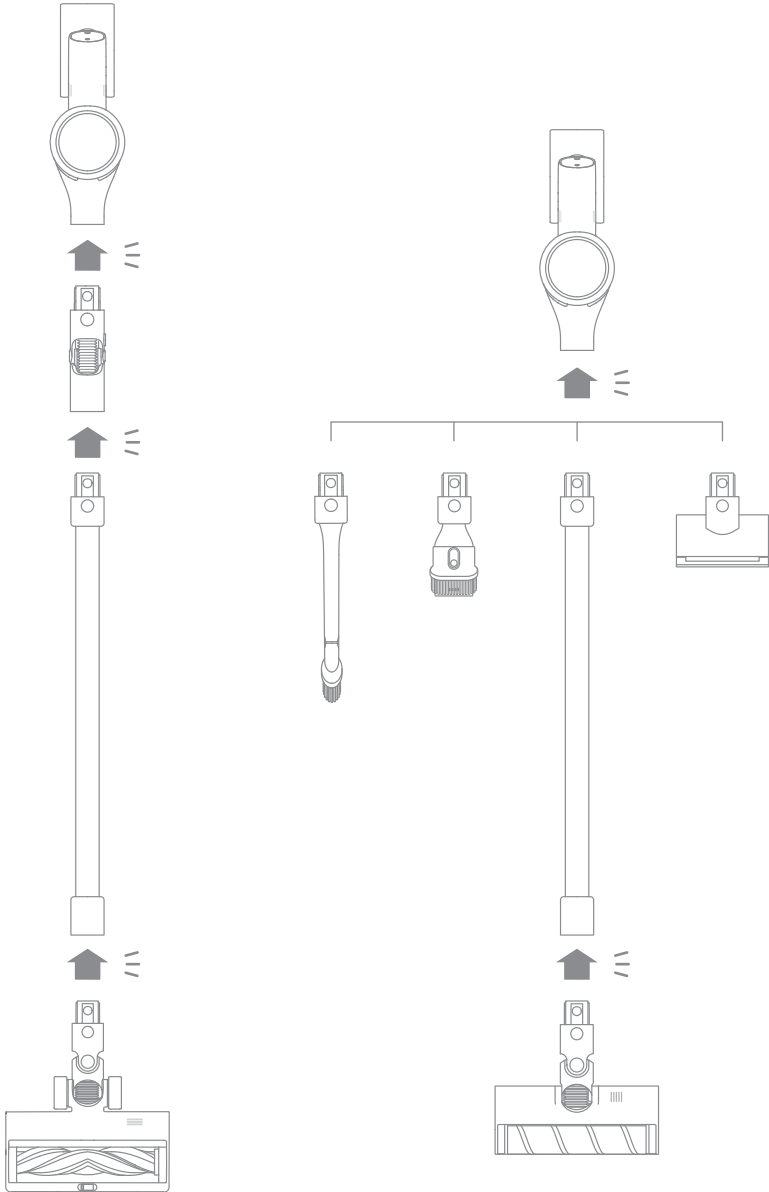




# Installation

## Vacuum Installation Diagram

☰ Click

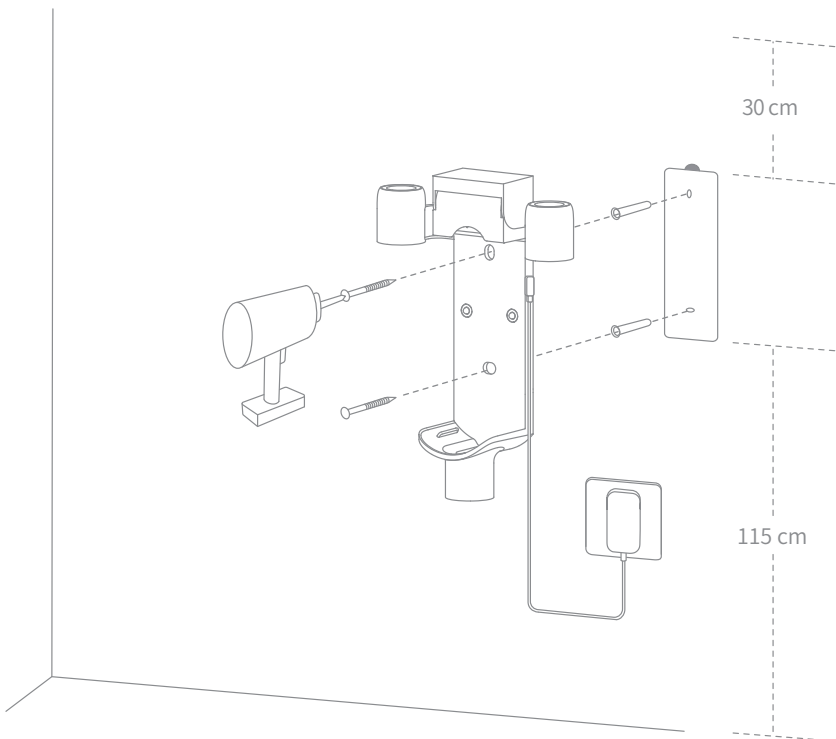


# Installation

## 2-in-1 Charging & Storage Mount Installation Diagram

1. The bottom of the mounting template sticker should be level and at least 115 cm from the ground. The top should have at least 30 cm\* of clearance above it.
2. Use a power drill with an 8 mm drill bit to drill a hole into each marker on the mounting template sticker, then insert a wall plug into each hole.
3. Align the locating holes on the mount with the holes on the wall. Fasten it to the wall with the included screws.

\*30 cm: Leave enough space just in case you may need to purchase the replaceable battery in the future.



### Note:

- The 2-in-1 charging & storage mount is an optional accessory. You can install it based on your needs.
- The 2-in-1 charging & storage mount should be installed in a cool, dry place with an electrical outlet nearby. Prior to installing, ensure that there are no electrical wires or pipes in the space directly behind where the mount will be installed.

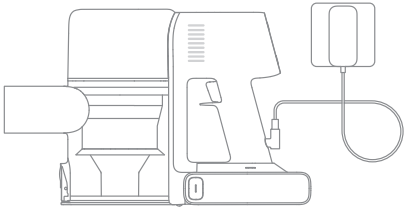
# Charging

Note:

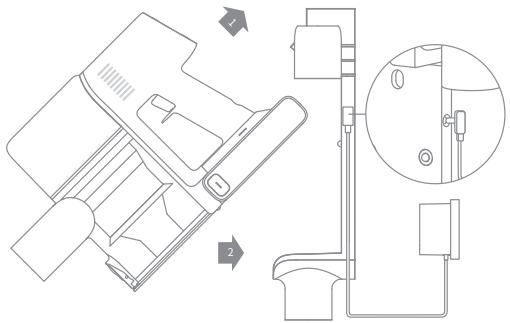
- Fully charge the vacuum before using it for the first time.
- A full charge will take approx. 4 hours.
- Vacuuming in Turbo Mode for a prolonged period will cause the battery to heat up, which increases charging time. Allow the vacuum to cool down for 30 minutes before charging it.

## Charging Methods

Charging the vacuum with the charger



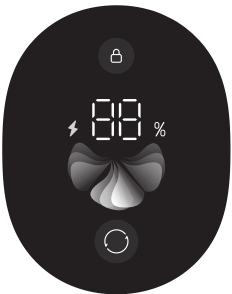
Charging the vacuum on the charging mount



## Battery Status Display

### Display Screen

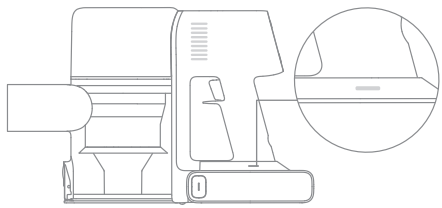
The number on the display screen represents the current battery level in a percentage during charging. When the number becomes 100, the battery is fully charged.



### LED Battery Status Indicator

When charging, the indicators blink white. When the charging is completed, the indicators keep solid white.

Note: Once the vacuum is fully charged, the indicator will turn off after 5 minutes, and the vacuum will enter energy-saving mode.



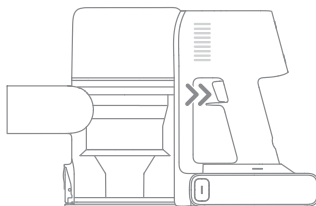
# How to Use

## Working Methods

Select from two working methods for the vacuum, which can be selected based on your own needs.

### Method 1: Discontinuous Cleaning Mode

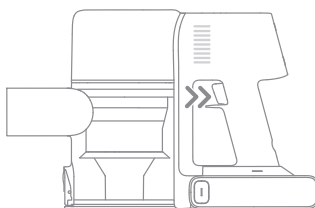
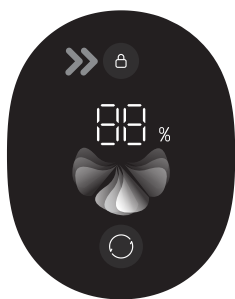
Press and hold the switch of the vacuum to enable this mode, and release it to stop immediately.



### Method 2: Continuous Cleaning Mode (Trigger Switch Lock)

Press the trigger switch lock to switch to Continuous Cleaning Mode, and then briefly press the on/off switch to keep the vacuum in Continuous Cleaning Mode.

Use the trigger switch lock to free your fingers from fatigue caused by holding the switch.



Note:

- In this mode, briefly press the on/off switch to suspend the operation or start again and the working mode of the vacuum will not change.
- Press the trigger switch lock again to quit Continuous Cleaning Mode.

## Switching Suction Level

Press the button  to switch levels between auto and turbo.

When in Turbo Mode, all fan-shaped icons will light up in white.

Only in Auto Mode, the suction level and the color of fan-shaped icon change with the amount of inhaled dust.

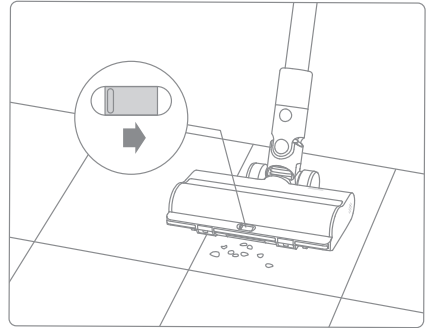
# How to Use

## Using Different Accessories

### Smart Multi-Surface Brush

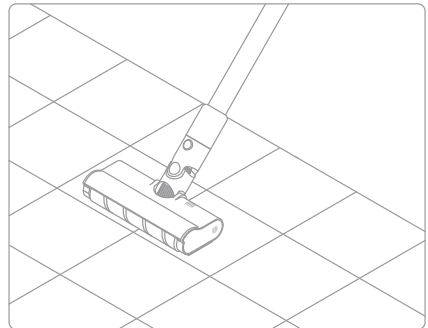
Note:

- The smart multi-surface brush can be attached directly to the vacuum.
- When the appliance starts, the lights in front of the brush roller will automatically turn on, which is convenient for use.
- Suitable for vacuuming on the med/low pile carpets, tiles and floors.
- For vacuuming large particles by turning on the switch on the brush, such as coffee beans, corn flakes and etc.



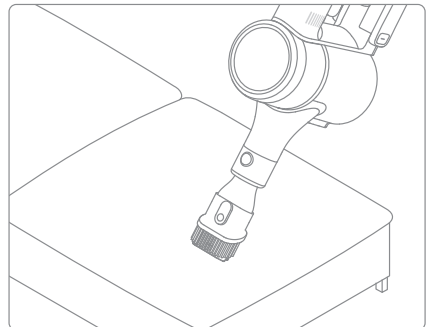
### Soft Roller Brush

Suitable for cleaning hard floors such as marble and floors.



### Wide Combination Tool

For vacuuming dust from curtains, keyboards, ceilings, sofas, vehicle interiors, coffee tables, etc.

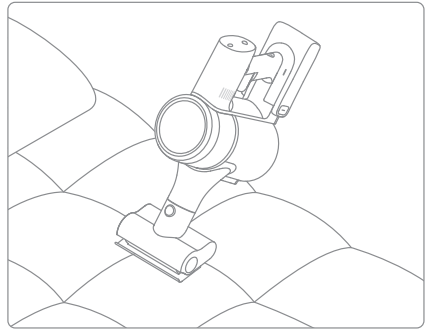


# How to Use

## Motorized Mini-Brush

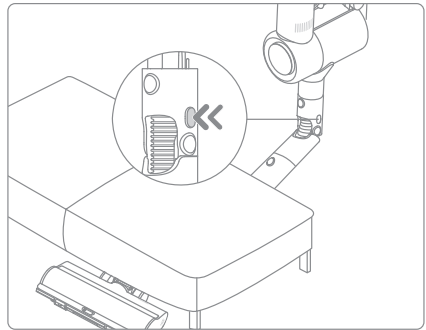
For vacuuming dirt, pet hair, and other stubborn debris from sofas, bedding, and other fabric surfaces.

Note: It is not recommended to vacuum on fragile surfaces, such as silk.



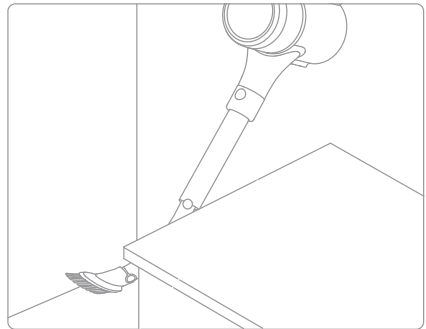
## Flexible Adapter

Bending and extending the rod with one click can easily reach under low-lying furniture, such as bed and sofa.



## Flexible Combination Tool

Bendable and retractable brush-nozzle, more flexible to vacuum in narrow gaps.



### Note:

- If any rotating part becomes stuck, the vacuum may shut off automatically. Remove any trapped objects so the device can function normally.
- When the battery becomes overheated, the vacuum will automatically shut off. Wait until the battery temperature returns to normal, then the vacuum will work normally.

# Care & Maintenance

## Tips:

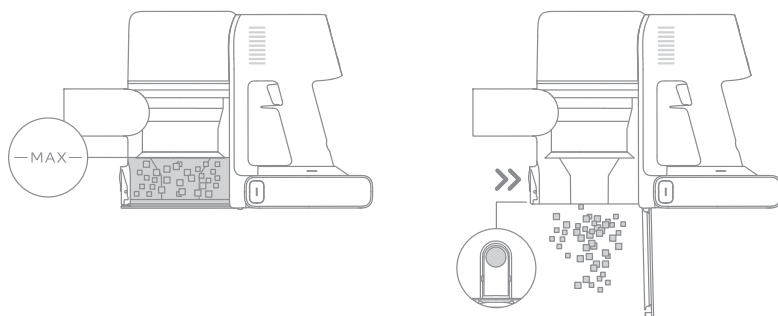
- Always use genuine parts to keep your warranty from becoming void.
- If the filter or nozzle becomes clogged, the vacuum will stop working shortly after being turned on. To restore normal functions, clean the filter and/or nozzle.
- If the vacuum is not be used for an extended period, fully charge it, unplug its charger, and store it in a cool, low-humidity environment away from direct sunlight. To avoid over-discharging the battery, recharge the vacuum at least once every three months.

## Cleaning the Vacuum

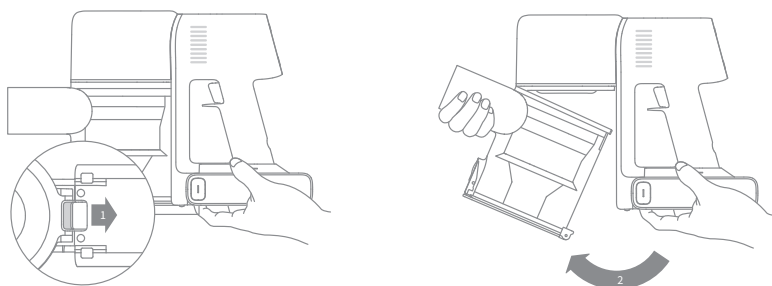
Wipe the vacuum with a soft dry cloth.

## Cleaning the Dust Cup, Pre-Filter, and Cyclone Assembly

1. Press the dust cup bottom cover release button, then empty the contents.



2. Push the dust cup release switch in the direction indicated by the arrow, then gently remove the dust cup from the vacuum.

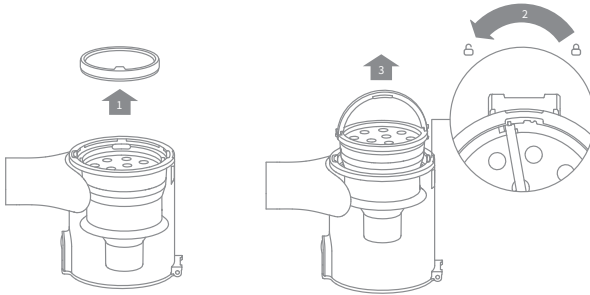


## Note:

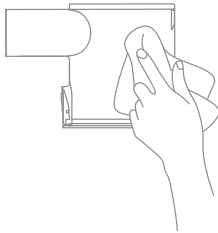
- The vacuum's cleaning ability will be reduced if the dust cup is filled to the "MAX" mark. To regain performance, empty the dust cup in a timely manner.
- Before emptying the cup, make sure the vacuum is disconnected from the power, and do not press its power button.

# Care & Maintenance

3. Remove the pre-filter first, then lift the handle of the cyclone assembly and turn it counterclockwise until it stops, then pull to lift out the cyclone assembly.

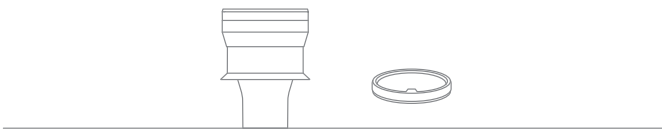
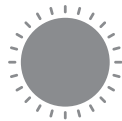


4. Wipe the dust cup with a soft wet cloth. Pay attention to wring out the discloth before using.



To reduce the risk of electric shock, do not rinse the dust cup with water.

5. Rinse the cyclone assembly and pre-filter until they are clean. After washing, air dry for at least 24 hours.



Cyclone Assembly    Pre-Filter

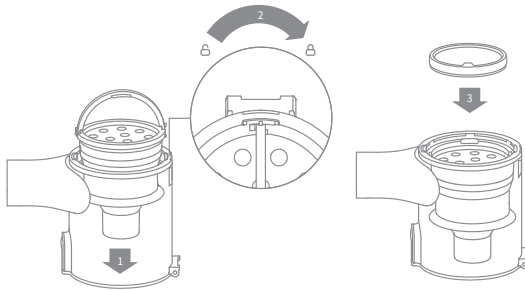
Note: It is recommended to clean the pre-filter at least once every 3 months and the cyclone system at least once every 6 months.



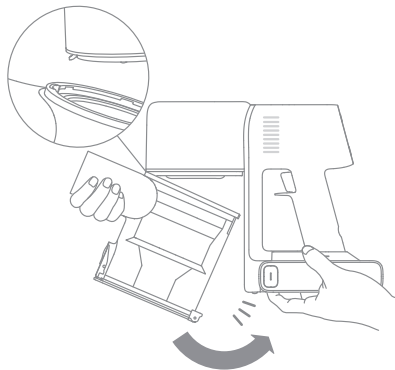
# Care & Maintenance

## Installing the Dust Cup, Pre-Filter, and Cyclone Assembly

1. Insert the cyclone assembly vertically into the dust cup, and make sure that the handle of the cyclone assembly line up with the slot on the left side of the dust cup. Turn the handle clockwise until it locks, then flip the handle down.
2. Place the pre-filter with its front side facing up into the cyclone assembly.



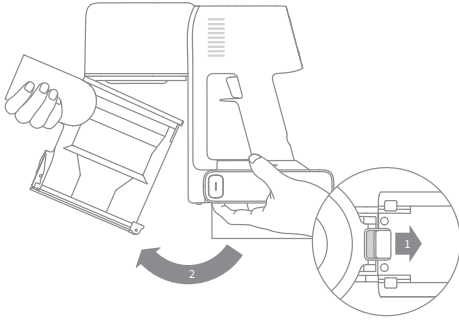
3. Slightly tilt the dust cup so its slot aligns with the clip on the vacuum. Then gently push the dust cup until it clicks into place.



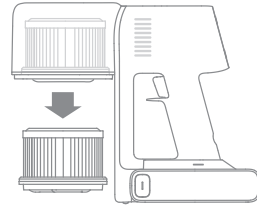
# Care & Maintenance

## Cleaning the Filter

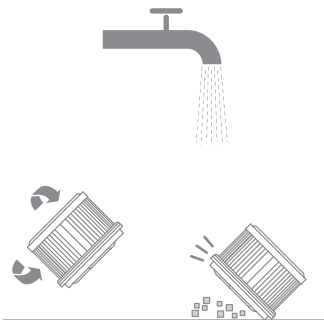
1. Remove the dust cup as shown in the figure.



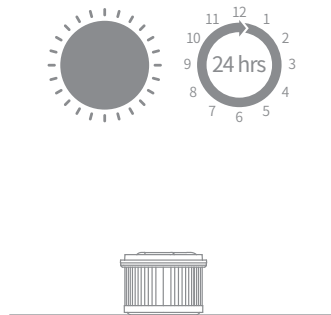
2. Remove the filter from the vacuum by pulling it down in the direction shown in the figure.



3. Clean the filter with clean water. Make sure you rotate the filter 360° to thoroughly and remove all dust caught in the filter. Lightly tap the filter several times to remove any excess dirt.



4. Allow the filter to air dry for 24 hours.



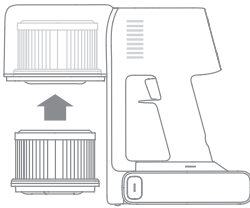
### Note:

- It is recommended to clean the filter once every 4 to 6 months.
- Only use clean water to wash the filter. Do not use detergent.
- Do not attempt to clean the filter with a brush or finger.

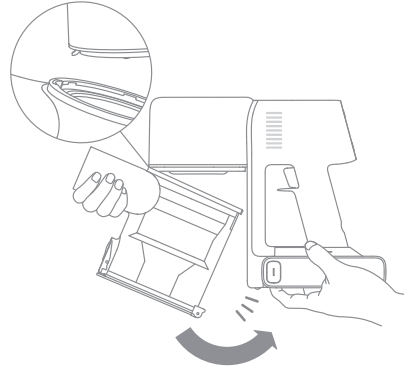
# Care & Maintenance

## Installing the Filter

1. Insert the filter into the vacuum and gently press down, as illustrated.

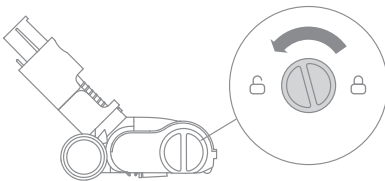


2. Reinstall the dust cup.

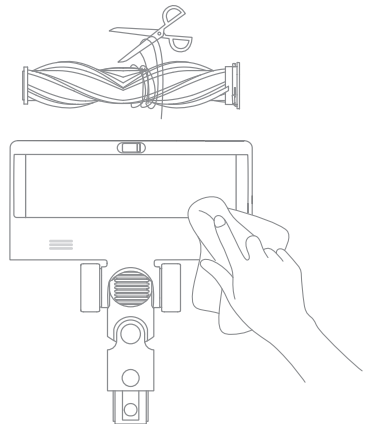


## Cleaning the Smart Multi-Surface Brush

1. Turn the lock counterclockwise until it stops, then remove the brush roller from the brush.

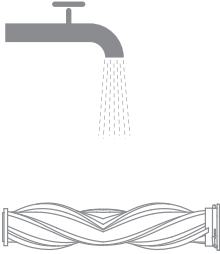


2. Use scissors to cut off the hairs and fibers that get stuck on the brush. Wipe the dust from the notch and transparent cover with a dry cloth or paper towel. Thoroughly dry before use.

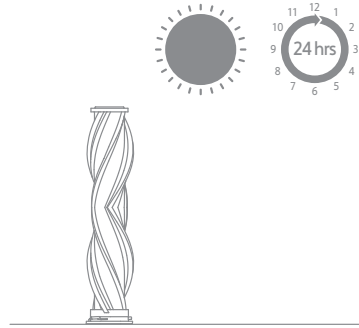


# Care & Maintenance

3. When it is dirty, rinse the brush roller with clean water until it is clean.

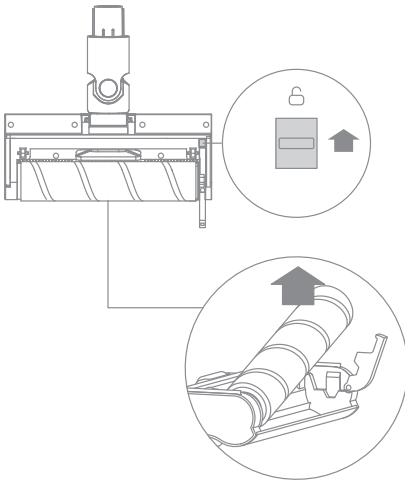


4. Stand the brush roller upright for at least 24 hours until it is fully dry.

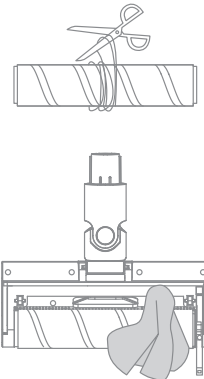


## Cleaning the Soft Roller Brush

1. As shown in the picture, press the brush roller release button to remove the roller from the slot.

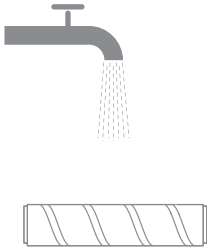


2. Use scissors to cut off the hairs and fibers that get stuck on the brush roller and the wheels. Wipe the dust from the notch and transparent cover with a dry cloth or paper towel. Thoroughly dry before use.

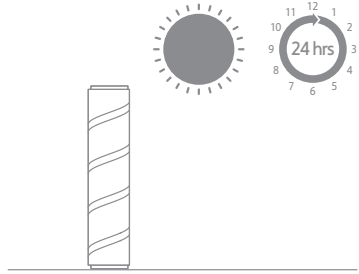


# Care & Maintenance

3. When it is dirty, rinse the brush roller with clean water until it is clean.

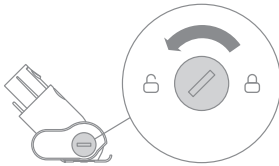


4. Stand the brush roller upright for at least 24 hours until it is fully dry.



## Cleaning the Motorized Mini-Brush

1. Use a coin as illustrated to rotate the lock counterclockwise until you hear a click.



2. After unlocking the motorized mini-brush, remove the brush roller, then rinse and clean it.



3. Stand the brush roller upright in a well-ventilated area for at least 24 hours until it is fully dry.



4. Once the brush roller is dry, reinstall it by following the disassembly steps in reverse.

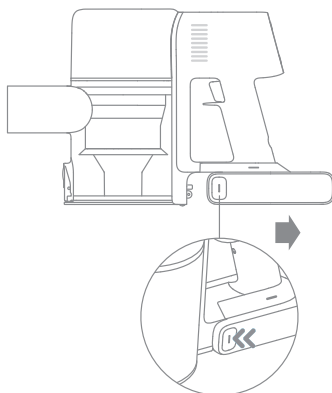


# Care & Maintenance

## Battery Pack

The vacuum contains a removable rechargeable lithium-ion battery pack which has a limited number of recharge cycles. After extended use, the battery pack may no longer hold a charge. If this happens, it means the battery pack has reached the end of its life cycle and needs to be replaced.

1. Press down the battery pack release button and slide the battery pack to the right, as illustrated, to remove it.
2. Install the new battery pack.



# Specifications

Vacuum			
Model	VTV97A	Charging Voltage	34 V $\overline{=}$
Rated Power	570 W	Rated Voltage	29.6 V $\overline{=}$
Charging Time	Approx. 4 hours		
Smart Multi-Surface Brush			
Model	VMB9		
Rated Power	40 W	Rated Voltage	25.2 V $\overline{=}$
Soft Roller Brush			
Model	ASF4		
Rated Power	40 W	Rated Voltage	25.2 V $\overline{=}$
Motorized Mini-Brush			
Model	VMM4		
Rated Power	20 W	Rated Voltage	25.2 V $\overline{=}$
Charger			
Model	ZD024M340090EU	Average Active Efficiency	87.01%
Input	100 - 240 V $\sim$ 50-60 Hz, 0.8 A max	Efficiency at Low Load (10%)	77.01%
Output	34 V $\overline{=}$ 0.9 A	No-load Power Consumption	0.1 W
Rechargeable Lithium-ion Battery Pack			
Model	P2033-8S1P-GYA		
Nominal Voltage	29.6 V $\overline{=}$	Nominal Capacity	2900 mAh
Energy	81.4 Wh	Rated Capacity	2750 mAh

The lithium-ion pack contains substances that are hazardous to the environment. Before disposing of the vacuum, please remove the battery pack, then discard or recycle it in accordance with local laws and regulations of the country or region it is used in.






If the vacuum is not working properly, please refer to the table below.

Errors	Possible Causes	Solutions
Vacuum does not work.	Vacuum is out of battery or low on power.	Fully charge the vacuum, then continue to use it.
	Overheat protection mode triggered by a blockage.	Clean the suction openings or air duct. Wait until the vacuum cools down, then reactivate it.
	Suction opening or air duct is blocked.	Clear any blockage from suction opening or air duct.
Weak suction force.	Dust cup is full and/or filter assembly is clogged.	Empty the dust cup and clean the filter assembly.
	Attachment is blocked.	Clear any blockage in the attachment.
Motor is making a strange noise.	Main suction opening or carbon fiber rod is blocked.	Clear any blockage in the main suction opening or extension rod.
The first indicator is red after turning on the vacuum.	Battery pack is damaged.	Please contact the after-sales service department for maintenance.
The first indicator blinks red when charging the vacuum.	The charger is incompatible.	Only use the original charger to charge the vacuum.
The battery indicator does not light when charging.	The charger does not plug into the vacuum well.	Check whether the charger is properly plugged into the vacuum.
	The battery is fully charged and went into sleep mode.	The vacuum can be used normally.
	If the problem persists after ruling out the above two possibilities, please contact the after-sales service department for maintenance.	
The vacuum charges slowly.	Battery temperature is too low or too high.	Wait until the battery's temperature returns normal, then continue to use the vacuum.
LED lights of the smart multi-surface brush do not work.	LED lights are damaged.	Please contact the after-sales department for maintenance.



# Troubleshooting

If the vacuum is not working properly, the screen display will show an error message. Please refer to the troubleshooting table to find your solution.

Error Icon	Status	Error Message	Solutions
	Blinking Red	High-temperature Alert	Please wait and continue to use after motor temperature is normal.
	Blinking Orange	Roller brush stuck	Refer to the maintenance guide [Cleaning the Smart Multi-Surface Brush] section to clean the fiber material and hairs wrapped around the brush roller.
	Blinking Orange	Air Duct Blocked	Check whether the dust cup, carbon fiber rod, and smart multi-surface brush are blocked.
	Blinking Orange	Filter is expiring	Please replace the filter in time. After replacing the filter, press and hold the trigger switch lock for 3 seconds to reset the filter.
	Solid Orange	Filter uninstalled	Ensure that the filter and pre-filter are installed correctly.
	Solid Red	Error	Please contact the after-sales department for maintenance.
<p>If one of the error codes from E0 to E4 appears on the display, please contact the after-sales service team for repair.</p>			

## WEEE Information



All products bearing this symbol are waste electrical and electronic equipment (WEEE as in directive 2012/19/EU) which should not be mixed with unsorted household waste. Instead, you should protect human health and the environment by handing over your waste equipment to a designated collection point for the recycling of waste electrical and electronic equipment, appointed by the government or local authorities. Correct disposal and recycling will help prevent potential negative consequences to the environment and human health. Please contact the installer or local authorities for more information about the location as well as terms and conditions of such collection points.

Um zu vermeiden, dass es durch unsachgemäße Benutzung zu Stromschlägen oder Bränden kommt, sollten Sie dieses Handbuch vor der Benutzung sorgfältig durchlesen und es aufbewahren, um künftig nachschlagen zu können.

## Warnung

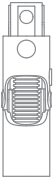
- Dieses Produkt kann von Kindern im Alter ab acht Jahren und von Personen mit physischen, sensorischen und intellektuellen Einschränkungen oder begrenzter Erfahrung oder Wissen benutzt werden, dies muss jedoch unter Aufsicht von Eltern oder einer Aufsichtsperson erfolgen, um einen sicheren Betrieb zu gewährleisten und Gefahren auszuschließen. Eine Wartung und Reinigung durch Kinder darf nur unter Aufsicht erfolgen.
- Der Staubsauger ist kein Spielzeug. Kinder dürfen mit dem Produkt nicht spielen oder es benutzen. Seien Sie bei der Benutzung des Staubsaugers in der Nähe von Kindern bitte vorsichtig. Gestatten Sie es Kindern keinesfalls, den Staubsauger zu reinigen oder zu warten, außer unter Aufsicht eines Elternteils oder Vormunds.
- Der Staubsauger darf nicht im Freien oder auf nassen Oberflächen benutzt werden. Der Staubsauger darf nicht mit nassen Händen berührt werden.
- Um das Risiko von Bränden, Explosionen und Verletzungen zu mindern, prüfen Sie vor der Benutzung bitte den Lithium-Akku und das Ladegerät auf Beschädigungen. Der Staubsauger darf nicht benutzt werden, wenn der Lithium-Akku oder das Ladegerät beschädigt ist.
- Die intelligente Multiflächen-Bürste, die motorisierte Minibürste, der Akku, der Kohlefaserstab und der Staubsauger sind elektrisch leitfähig und sollten nicht in Wasser oder andere Flüssigkeiten getaucht werden. Achten Sie darauf, alle Filter nach der Reinigung zu trocknen.
- Um Verletzungen durch bewegliche Teile zu vermeiden, schalten Sie den Staubsauger aus, bevor Sie die intelligente Multiflächen-Bürste reinigen. Die intelligente Multiflächen-Bürste, der Staubbehälter und der Filter müssen vor der Inbetriebnahme des Staubsaugers ordnungsgemäß installiert sein.
- Benutzen Sie ausschließlich das Original-Ladegerät. Die Benutzung eines nicht originalen Ladegerätes kann zu einer Entzündung des Lithium-Akkus führen.
- Der Staubsauger darf nicht benutzt werden, um brennbare oder entzündliche Flüssigkeiten wie Benzin, Bleiche, Ammoniak, Abflussreiniger oder andere Flüssigkeiten aufzusaugen.
- Der Staubsauger darf nicht benutzt werden, um Gipspartikel, Asche (z. B. Kaminasche) oder Rauch- oder Brennmaterialien wie Kohle, Zigarettenstummel oder Streichhölzer aufzusaugen.
- Der Staubsauger darf nicht benutzt werden, um scharfe oder harte Objekte wie Glas, Nägel, Schrauben oder Münzen aufzusaugen, da dies zu Schäden am Gerät führen kann.
- Halten Sie Haare, lose Kleidung, Finger und andere Körperteile von den Öffnungen des Staubsaugers und den beweglichen Teilen fern. Der Schlauch, das Rohr und das Werkzeug dürfen nicht auf Augen oder Ohren gerichtet werden oder in den Mund genommen werden.

- Stecken Sie keine Gegenstände in die Öffnungen des Staubsaugers. Der Staubsauger darf nicht genutzt werden, wenn eine Öffnung blockiert ist. Er muss frei von Staub, Flusen, Haaren und anderen Gegenständen gehalten werden, die den Luftstrom behindern könnten.
- Lehen Sie den Staubsauger nicht gegen Stühle, Tische oder andere instabile Flächen, da dies zur Schäden am Gerät oder Verletzungen führen kann. Falls der Staubsauger durch Umkippen beschädigt wird oder sonst defekt ist, wenden Sie sich bitte an unsere autorisierte Serviceabteilung. Versuchen Sie nie, das Gerät selbst zu zerlegen.
- Beim Aufladen des Akkus sind alle Anweisungen in dieser Anleitung strikt zu befolgen. Wenn bei der Aufladung des Akkus der angegebene Temperaturbereich nicht eingehalten wird, kann der Akku beschädigt werden.
- Verwenden Sie nur vom Hersteller empfohlenes Zubehör und Ersatzteile.
- Stellen Sie sicher, dass der Staubsauger nicht mit dem Stromnetz verbunden ist, wenn Sie ihn über längere Zeit nicht benutzen. Der Staubsauger muss außerdem vom Stromnetz getrennt werden, bevor Wartungs- und Reparaturarbeiten erfolgen.
- Bitte seien Sie besonders vorsichtig, wenn Sie den Staubsauger zur Treppenreinigung verwenden.
- Dieses Produkt darf nicht im Freien, in Badezimmern oder in der Nähe eines Schwimbeckens benutzt, installiert oder geladen werden.
- Warnung vor Brandgefahr: auf den Filter dürfen keinesfalls Duftstoffe jeglicher Art aufgetragen werden. Diese Art von Produkten enthält häufig brennbare Chemikalien, die dazu führen könnten, dass das Gerät Feuer fängt.
- Verwenden Sie nur das Original-Ladegerät (Modell ZD024M340090EU). Andernfalls kann es zu einer Entzündung des Lithium-Ionen-Akkus kommen.
- Verwenden Sie nur den zugelassenen Akkutyp (Modell P2033-851P-GYA). Andernfalls kann es zu einer Entzündung des Lithium-Ionen-Akkus kommen.
- Sorgen Sie dafür, dass sich während der Freisetzung des Batteriematerials keine Personen in unmittelbarer Nähe befinden, bis die Batterien abgekühlt sind und sich die Dämpfe verflüchtigt haben.
- Stellen Sie sicher, dass der Bereich bestmöglich belüftet ist, damit sich gesundheitsgefährdende Gase schnell verflüchtigen können und der Haut- und Augenkontakt sowie das Einatmen von Dämpfen vermieden wird.
- Entfernen Sie die verschüttete Flüssigkeit mit Absorptionsmittel verbrennen Sie die Abfälle.
- Verwenden und lagern Sie es nicht in extrem heißen oder kalten Umgebungen (unter 0°C /32°F oder über 40°C /104°F). Laden Sie bei einer Ladetemperatur von 0°C bis 40°C mit dem Original-Netzadapter.
- Das Produkt ist nur für den Heimgebrauch bestimmt.

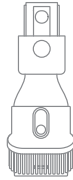
Wir, Dreame Trading (Tianjin) Co., Ltd., bestätigen hiermit, dass dieses Gerät mit dengeltenden Verordnungen und europäischen Normen sowie etwaigen Ergänzungen in Einklang steht. Der vollständige Wortlaut der EU-Konformitätserklärung ist unter der folgenden Internetadresse abrufbar: <https://global.dreameotech.com>

Ein detailliertes elektronisches Handbuch finden Sie unter <https://global.dreameotech.com/pages/user-manuals-and-faqs>

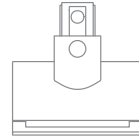
## Zubehörliste



Flexibler Adapter



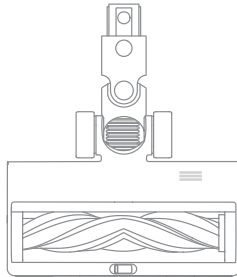
Eine große Anzahl an  
Werkzeugkombination



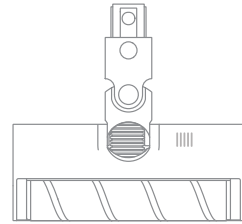
Motorisierte  
Mini-Bürste



Karbonfaserstange



Intelligente Multiflächen-Bürste



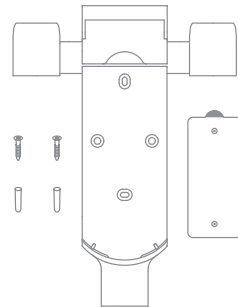
Weiche Walzenbürste



Biegsame  
Fugenbürste



Ladegerät

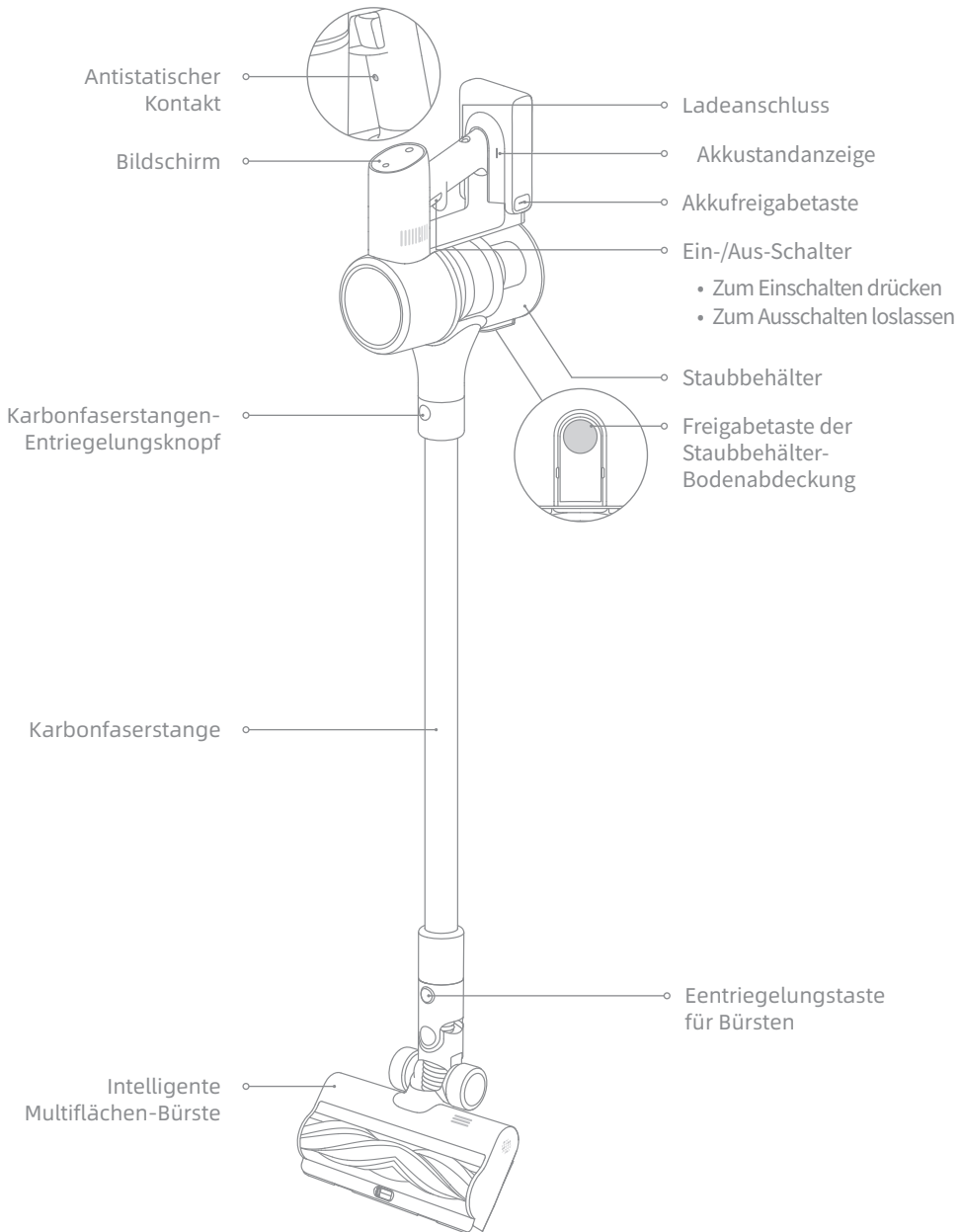


2-in-1 Lade- und  
Aufbewahrungshalterung

(einschließlich 2 x Schrauben, 2 x Dübel und  
Montagevorlage-Aufkleber)

Hinweis: Die Abbildungen in diesem Handbuch dienen nur als Referenz, bitte beziehen Sie sich auf das tatsächliche Aussehen.

**Bauteilbezeichnung**



## Funktionseinführung in die Bildschirmanzeige



Batterieüberhitzung



Die Rollbürste sitzt fest



Luftkanal blockiert



Fehler

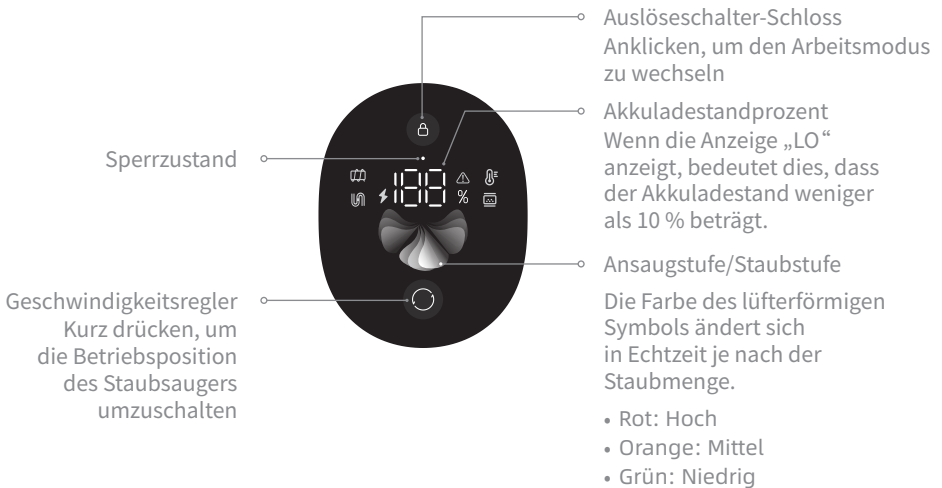


Filter deinstalliert/Der Filter läuft bald ab expiring



Kontrollleuchte für den Ladevorgang und den niedrigen Akkuladestand

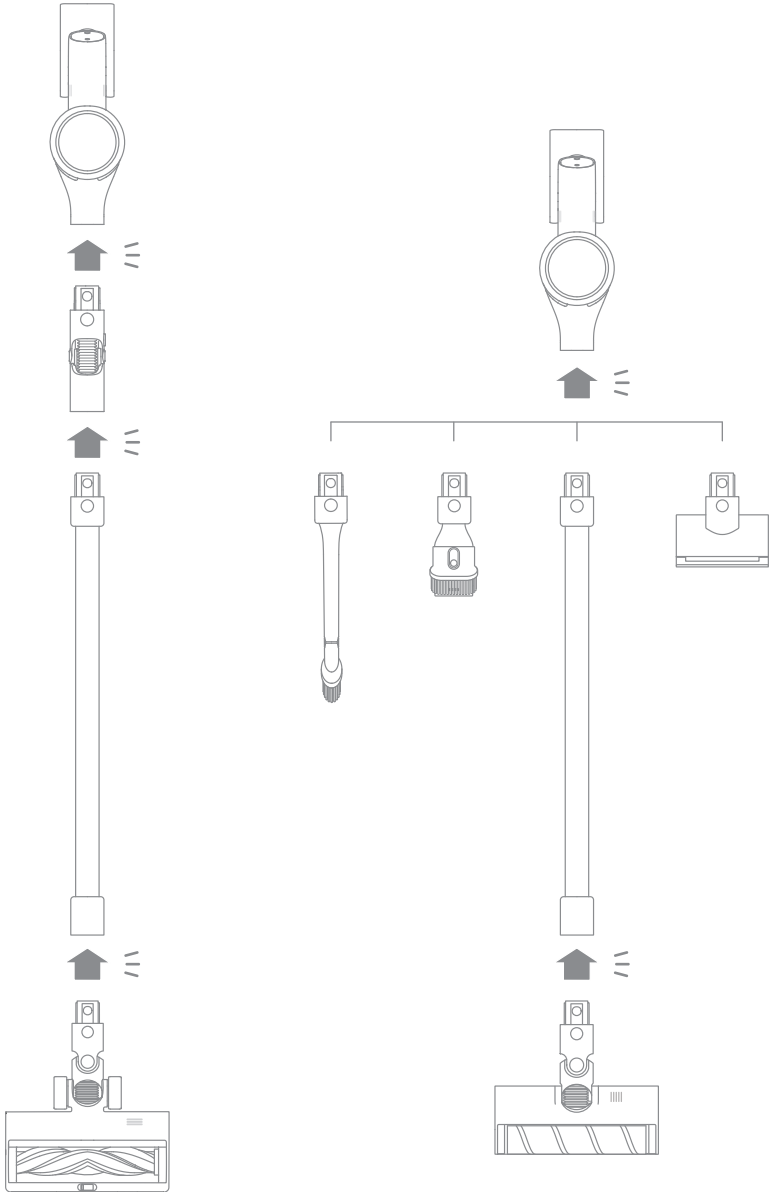
- Blinkt Rot: Akkuladestand  $\leq 10\%$
- Langsam rot blinkend: Akkuladestand  $\leq 10\%$  (Beim Aufladen)
- Langsam grün blinkend: Akkuladestand  $> 10\%$  (Beim Aufladen)



# Installation

## Installation des Zubehörs am Staubsauger

☰ Hineinstecken, bis ein Klick ertönt

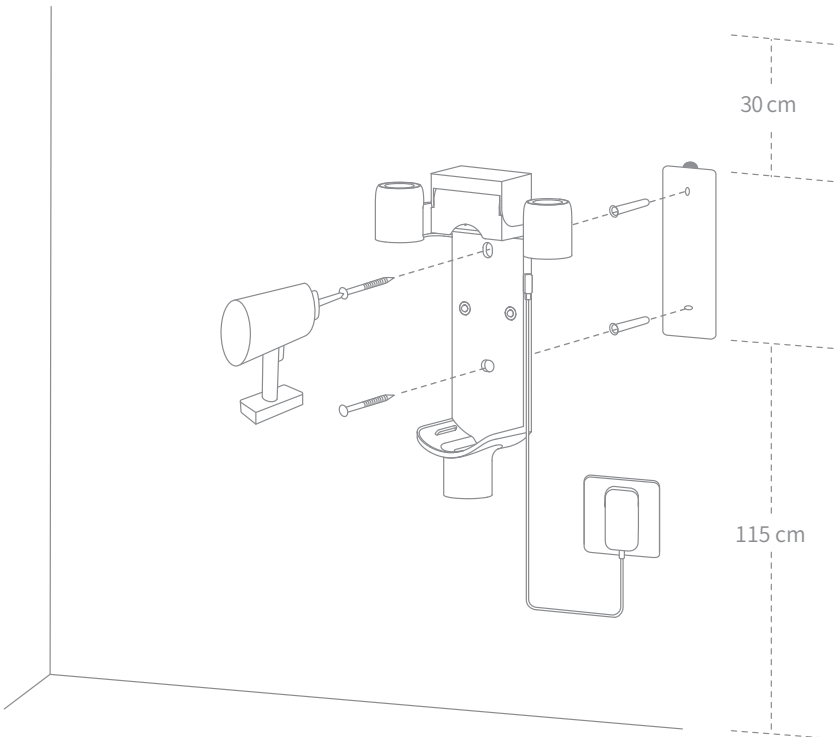




## Installation der 2-in-1 Lade- und Aufbewahrungshalterung

1. Der untere Rand des Montagevorlage-Aufklebers sollte mindestens 115 cm über dem Boden und parallel zum Boden sein, und über dem oberen Rand sollte mindestens 30 cm Platz sein.
2. Verwenden Sie eine Bohrmaschine mit einem 8-mm-Bohrer, um ein Loch in jede Lochmarkierung auf dem Montageschablone-Aufkleber zu bohren, und setzen Sie dann in jedes Loch einen Dübel ein.
3. Richten Sie die Befestigungslöcher der 2-in-1 Lade- und Aufbewahrungshalterung mit den Löchern an der Wand aus und befestigen Sie die Halterung dann mit den mitgelieferten Schrauben an der Wand.

\*30 cm: Leave enough space just in case you may need to purchase the replaceable battery in the future.



### Hinweis:

- Die 2-in-1 Lade- und Aufbewahrungshalterung ist ein optionales Zubehörteil, das Sie nach Ihrem persönlichen Bedarf montieren können.
- Die 2-in-1 Lade- und Aufbewahrungshalterung sollte an einem kühlen, trockenen Ort in der Nähe einer Steckdose installiert werden. Vor der Installation sollten Sie sicherstellen, dass sich in dem Raum direkt hinter der Wandoberfläche, an der die Halterung installiert werden soll, keine Kabel oder Drähte befinden.

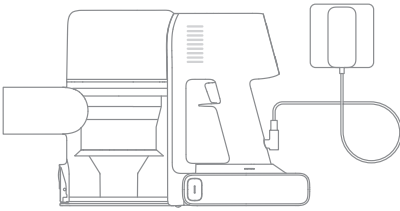
# Ladevorgang läuft

Hinweis:

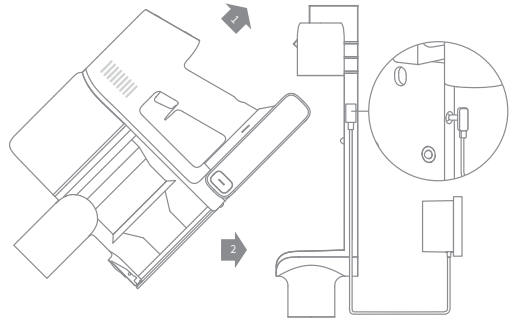
- Vor der erstmaligen Benutzung sollte der Staubsauger voll aufgeladen werden.
- Dies dauert etwa 4 Stunden.
- Wenn Sie über längere Zeit im Turbomodus Staub saugen, kann dies zur Erhitzung des Akkus führen, was eine längere Ladezeit zur Folge hat. Lassen Sie daher den Staubsauger vor dem Aufladen 30 Minuten abkühlen.

## Lademodi

Laden des Staubsaugers mit dem Ladegerät



Laden des Staubsaugers in der Ladehalterung



## Anzeigen der Leistungsmodi

Bildschirm

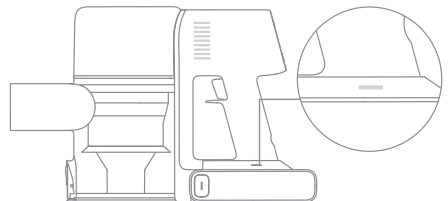
Die Zahl auf dem Anzeigebildschirm stellt den aktuellen Akkustand während des Ladevorgangs in Prozent dar. Der Akku ist vollständig aufgeladen, wenn die Anzeige auf 100 steht.



Akkustandanzeige

Während dem Ladevorgang blinken die drei Anzeigen und leuchten dann immer wieder nacheinander hell auf, um den Ladestand anzuzeigen. Wenn der Ladevorgang abgeschlossen ist, leuchten die drei Anzeigen dauerhaft auf.

Hinweis: Wenn der Staubsauger voll geladen ist, schaltet sich die Anzeige nach 5 Minuten ab und das Gerät wird in den Energieeinsparmodus versetzt.

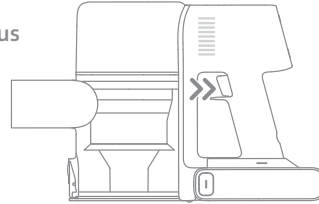


## Reinigungsmodus

Es gibt zwei Betriebsarten für den Staubsauger, die nach Ihren eigenen Bedürfnissen ausgewählt werden können.

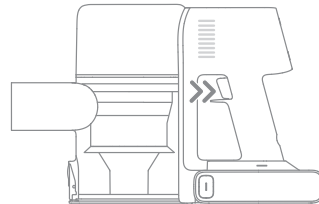
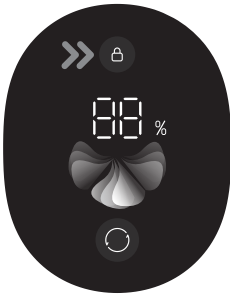
### Modus 1: Diskontinuierlicher Reinigungsmodus

Halten Sie den Schalter des Staubsaugers gedrückt, um den Betrieb aufzunehmen, und lassen Sie ihn los, um sofort zu stoppen.



### Modus 2: Kontinuierliche Reinigungsmodus (Auslöseschalter-Schloss)

Drücken Sie bei laufendem Gerät auf die Auslöseschalter-Schloss um in den kontinuierlichen Reinigungsmodus zu wechseln. Lassen Sie dann den ein/aus Schalter los, um den Staubsauger im kontinuierlichen Modus reinigen zu lassen. Verwenden Sie die Auslöseschalter-Schloss, um Ihre Finger zu entlasten und einer Ermüdung Ihrer Finger durch das Gedrückthalten des Schalters zu vermeiden.



Hinweis:

- Im kontinuierlichen Modus leuchtet die Verriegelungsanzeige konstant.
- Klicken Sie erneut auf das Auslöseschalter-Schloss, um den kontinuierlichen Reinigungsmodus zu beenden.

## Stufenschaltung

Drücken Sie die Taste , um zwischen den Saugstufen „Auto“ und „Turbo“ zu wechseln.

Im Turbomodus leuchten alle lüfterförmigen Symbole weiß.

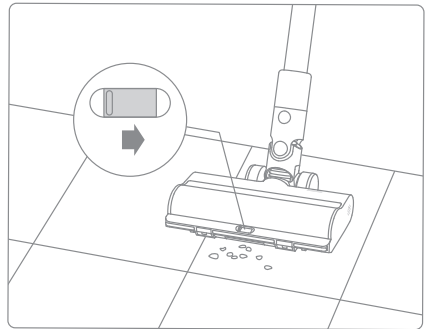
Nur im Auto-Modus ändern sich die Saugstärke und die Farbe des lüfterförmigen Symbols je nach der Menge des eingesaugten Staubs.

## Benutzung verschiedener Zubehörteile

### Intelligente Multiflächen-Bürste

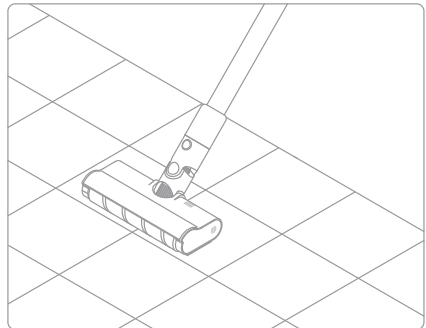
Hinweis:

- Die intelligente Multiflächen-Bürste kann direkt am Staubsauger angebracht werden.
- Wenn das Gerät startet, schalten sich die Lichter vor der Bürstenrolle automatisch ein, was für die Benutzung sehr praktisch ist.
- Geeignet für das Saugen von kurz- und mittellanghaarigen Teppichen, Fliesen und Böden.
- Zum Aufsaugen großer Partikel wie Kaffeebohnen, Maisflocken usw., indem der Schalter an der Bürste umgeschaltet wird.



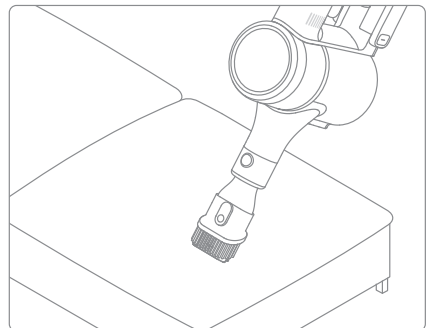
### Weiche Walzenbürste

Geeignet für die Reinigung von Hartböden wie Marmor und Parkett.



### Eine große Anzahl an Werkzeugkombination

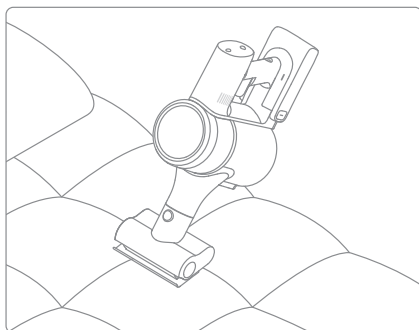
Zum Saugen von Vorhängen, Sofas, Fahrzeuginnenräumen, Couchtischen usw.



## Motorisierte Mini-Bürste

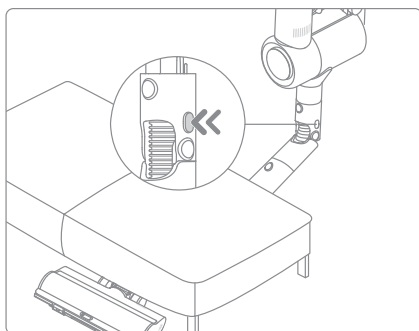
Zum Aufsaugen von Schmutz, Tierhaaren und anderen hartnäckigen Ablagerungen auf Sofas, Bettzeug und anderen Textiloberflächen.

Hinweis: Das Staubsaugen auf Oberflächen, die eingezogen werden könnten wie z. B. Seide, wird nicht empfohlen.



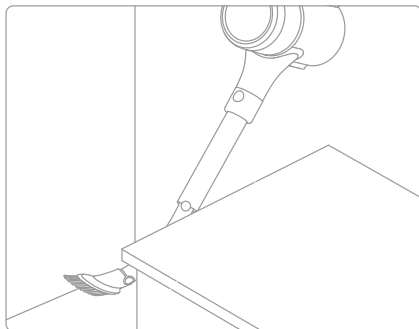
## Flexibler Adapter

Durch Biegen und Verlängern des Rohres mit nur einem Klick, können tiefgelegene Stellen unter Möbeln, sowie Bett und Sofa, einfach erreicht werden.



## Biegsame Fugenbürste

Biegbare und einziehbare Bürsten, flexibler zum Saugen in engen Spalten.



Hinweis:

- Wenn ein rotierendes Teil stecken bleibt, kann es passieren, dass der Staubsauger sich automatisch abschaltet. Entfernen Sie dann etwaige eingeklemmte Fremdkörper und setzen Sie die Benutzung fort.
- Wenn der Motor sich überhitzt, wird der Staubsauger automatisch ausgeschaltet. Bitte warten Sie, bis sich die Temperatur des Akkus normalisiert hat, und setzen Sie erst dann die Benutzung fort.

# Pflege und Wartung

## Sicherheitsregeln für die Wartung

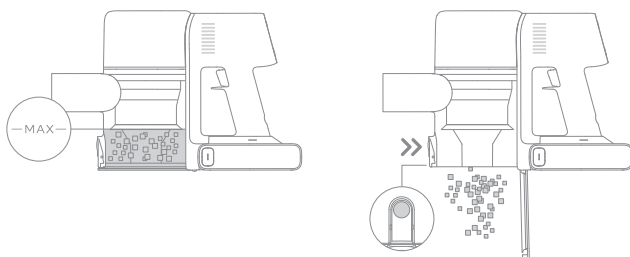
- Verwenden Sie stets Originalteile, um ein Erlöschen der Garantie zu vermeiden.
- Falls der Filter oder die Düse verstopft sind, wird der Staubsauger kurz nach Einschalten den Betrieb einstellen. Um die Funktion wiederherzustellen, müssen Sie den Filter oder die Düse reinigen.
- Wenn der Staubsauger für eine längere Zeit nicht benutzt werden wird, laden Sie ihn voll auf, trennen Sie ihn vom Netz und lagern ihn an einem kühlen und trockenen Ort ohne direkte Sonneneinstrahlung. Um eine Tiefentladung des Akkus zu vermeiden, sollte der Staubsauger mindestens einmal alle drei Monate aufgeladen werden.

## Reinigung des Staubsaugers

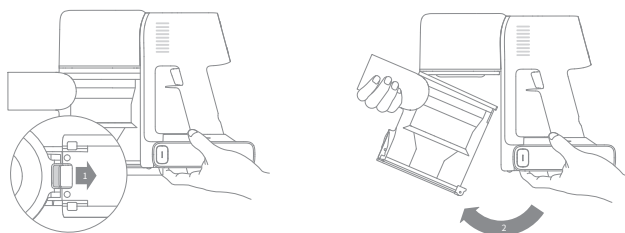
Reinigen Sie den Staubsauger mit einem weichen, trockenen Tuch.

### Reinigung des Staubbehälters, des Vorfilters und der Zyklon-Baugruppe

1. Drücken Sie die Entriegelungstaste der Bodenabdeckung des Staubbehälters und entleeren Sie dann den Inhalt.



2. Drücken Sie die Freigabetaste des Staubbehälters in die Pfeilrichtung und nehmen Sie den Staubbehälter vorsichtig aus dem Staubsauger.

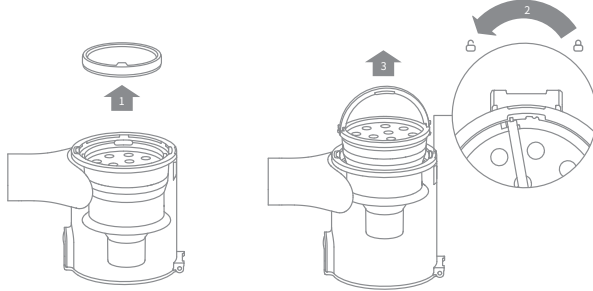


Hinweis:

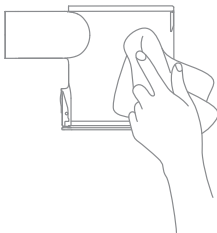
- Die Reinigungsleistung des Staubsaugers reduziert sich, wenn das Staubabteil bis zur „MAX“-Markierung gefüllt ist. Um die volle Reinigungsleistung wiederherzustellen, sollten Sie den Staubbehälter rechtzeitig leeren.
- Bevor Sie den Staubbehälter leeren, sollten Sie sicherstellen, dass der Staubsauger von der Stromversorgung getrennt ist. Vermeiden Sie es außerdem, die Einschalttaste zu drücken.

# Pflege und Wartung

3. Entfernen Sie die zunächst den Vorfilter, heben Sie dann den Griff der Zyklon-Baugruppe an und drehen Sie ihn gegen den Uhrzeigersinn bis zum Anschlag. Anschließend können Sie die Zyklon-Baugruppe herausheben.



4. Wischen Sie den Staubecher mit einem weichen, nassen Tuch ab. Achten Sie darauf, das Tuch vor dem Gebrauch auszuwringen.



Um elektrische Schläge zu vermeiden, den Staubbehälter bitte nicht unter fließendem Wasser reinigen!

5. Reinigen Sie das Zyklonen- und Vorfiltersystem bis sie sauber sind. Nach der Reinigung mindestens 24 Stunden an der Luft trocknen lassen.



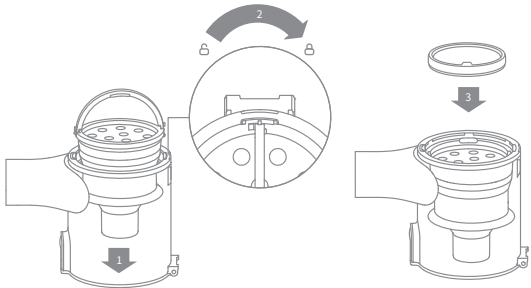
Zyklon-Baugruppe Vorfilter

Hinweis: Es wird empfohlen, den Vorfilter mindestens einmal alle 3 Monate und das Zyklonsystem mindestens einmal alle 6 Monate zu reinigen.

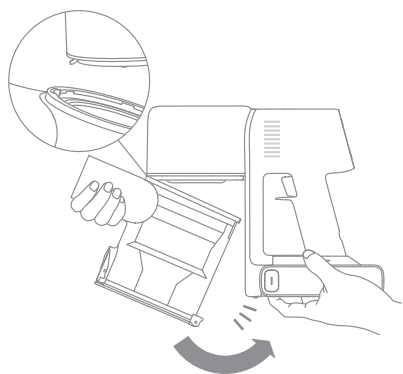
# Pflege und Wartung

## Installation des Staubbehälters, des Vorfilters und der Zyklon-Baugruppe

1. Setzen Sie die Zyklon-Baugruppe vertikal in den Staubbehälter ein und vergewissern Sie sich, dass der Griff der Zyklon-Baugruppe korrekt mit dem Schlitz auf der linken Seite des Staubbehälters ausgerichtet ist. Drehen Sie den Griff im Uhrzeigersinn, bis er einrastet, und klappen Sie dann den Griff nach unten.
2. Setzen Sie den Vorfilter mit der Vorderseite nach oben in die Zyklon-Baugruppe ein.



3. Neigen Sie den Staubbehälter leicht, so dass der Schlitz mit dem Clip am Staubsauger ausgerichtet ist. Schieben Sie den Staubbehälter dann vorsichtig hinein, bis er einrastet.

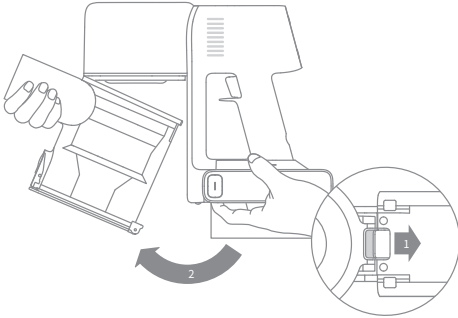




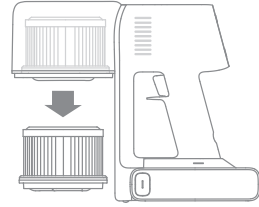
# Pflege und Wartung

## Reinigung des-Filter

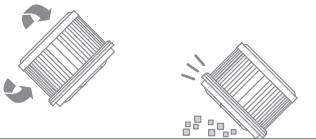
1. Entfernen Sie den Staubbehälter wie in der Abbildung dargestellt.



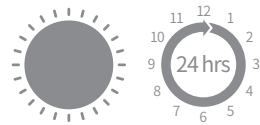
2. Entfernen Sie den-Filter aus dem Staubsauger, indem Sie ihn in die in der Abbildung gezeigten Richtung nach unten ziehen.



3. Reinigen Sie den-Filter mit sauberem Wasser. Achten Sie darauf, dass Sie den-Filter um 360° drehen, um den gesamten im Filter aufgefangenen Staub gründlich zu entfernen. Klopfen Sie mehrmals leicht auf den Filter, um vorhanden Schmutz zu entfernen.



4. Lassen Sie den-Filter mindestens 24 Stunden lang gründlich trocknen.



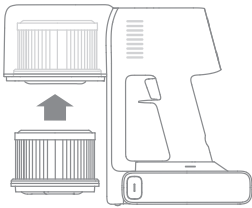
### Hinweis

- Der-Filter sollte alle 4 bis 6 Monate ausgewechselt werden.
- Säubern Sie den Filter ausschließlich mit sauberem Wasser. Verwenden Sie keine Reinigungsmittel.
- Versuchen Sie nicht, den-Filter mit einer Bürste oder einem Finger zu reinigen.

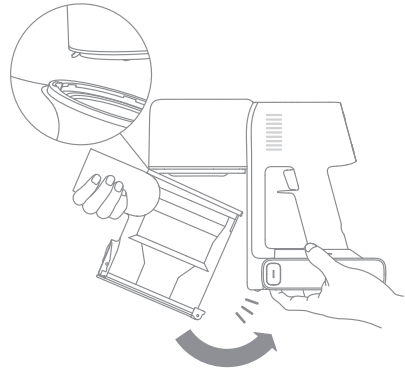
# Pflege und Wartung

## Installation des-Filters

1. Setzen Sie den-Filter in den Staubsauger ein und drücken Sie ihn vorsichtig nach unten, wie in der Abbildung gezeigt.

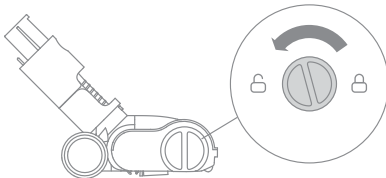


2. Installation des Staubbehälters.

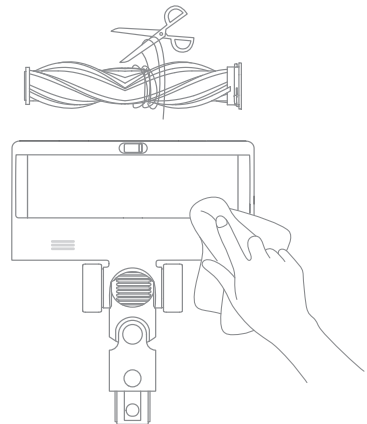


## Reinigung der Intelligenten Multiflächen-Bürste

1. Drehen Sie das Schloss gegen den Uhrzeigersinn, bis es stoppt, und entfernen Sie dann die rolle.



2. Schneiden Sie mit einer Schere die Haare und Fasern ab, die auf die bürstenrolle hängen bleiben. Wischen Sie den Staub von der Kerbe und dem transparenten Deckel mit einem trockenen Tuch oder Papiertuch ab. Vor Gebrauch gründlich trocknen.

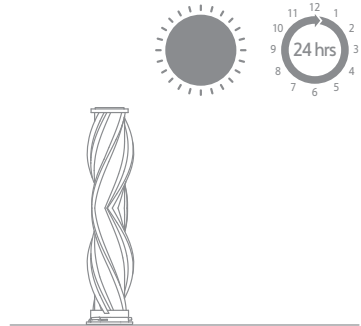


# Pflege und Wartung

3. Wenn es verschmutzt ist, spülen Sie die Bürstenrolle mit sauberem Wasser, bis sie sauber ist.

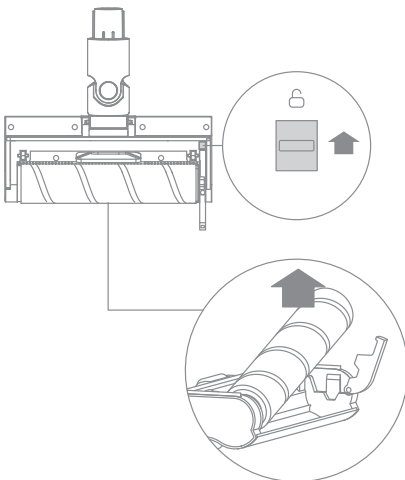


4. Stellen Sie die Bürstenrolle mindestens 24 Stunden aufrecht, bis sie vollständig trocken ist.

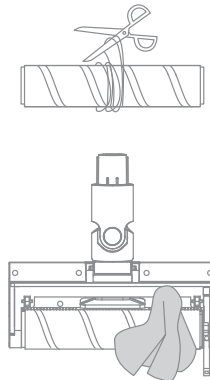


## Reinigung der weichen Walzenbürste

1. Drücken Sie, wie in der Abbildung gezeigt, die Entriegelungstaste der Bürstenwalze, um die Walze aus dem Steckplatz zu entfernen.

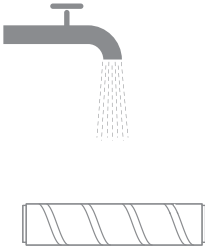


2. Verwenden Sie eine Schere, um die Haare und Fasern wegzuschneiden, die an der Bürstenwalze und den Rädern festhängen. Wischen Sie den Staub mit einem trockenen Tuch oder Papiertuch von der Aussparung und der transparenten Abdeckung. Lassen Sie die Bürste vor dem Gebrauch gründlich trocknen.

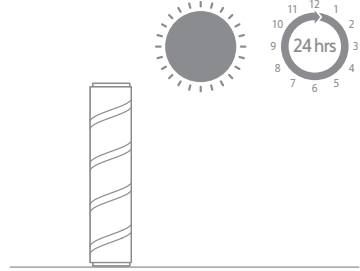


# Pflege und Wartung

3. Wenn es verschmutzt ist, spülen Sie die Bürstenrolle mit sauberem Wasser, bis sie sauber ist.

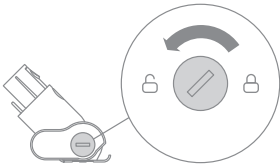


4. Stellen Sie die Bürstenrolle mindestens 24 Stunden aufrecht, bis sie vollständig trocken ist.

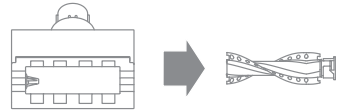


## Motorisierte Mini-Bürste reinigen

1. Drehen Sie mit Hilfe einer Münze die Verriegelung gegen den Uhrzeigersinn bis zum Klick.



2. Nach dem Entriegeln der motorisierten Mini-Bürste, entfernen Sie die Bürstenrolle, dann abspülen und reinigen Sie sie.



3. Stellen Sie die Bürstenrolle mindestens 24 Stunden lang an einem gut belüfteten Ort aufrecht, bis sie vollständig trocken ist.



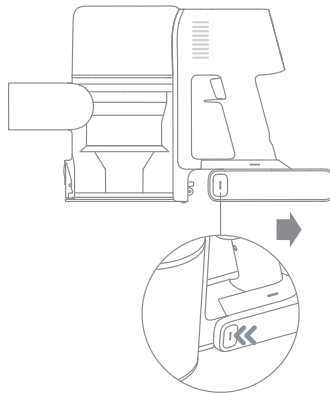
4. Sobald die Bürstenrolle trocken ist, setzen Sie sie wieder ein, indem Sie den Demontageschritten in umgekehrter Reihenfolge folgen.



## Akku

Der Staubsauger enthält einen herausnehmbaren, wiederaufladbaren Lithium-Ionen-Akku, der eine begrenzte Anzahl von Ladezyklen hat. Nach längerem Gebrauch kann es geschehen, dass der Akku keine Ladung mehr hält. Wenn dies geschieht, bedeutet dies, dass der Akku das Ende seiner Lebensdauer erreicht hat und ersetzt werden muss.

1. Drücken Sie den Entriegelungsknopf des Akkus nach unten und schieben Sie den Akku, wie in der Abbildung gezeigt, nach rechts, um ihn zu entfernen.
2. Installation des neuen Akkus.



# Spezifikationen

<b>Staubsauger</b>			
Modell	VTV97A	Ladespannung	34 V ===
Bemessungsleistung	570 W	Nennspannung	29,6 V ===
Ladedauer	Ca. 4 Stunden		
<b>Intelligente Multiflächen-Bürste</b>			
Modell	VMB9		
Bemessungsleistung	40 W	Nennspannung	25,2 V ===
<b>Weiche Walzenbürste</b>			
Modell	ASF4		
Bemessungsleistung	40 W	Nennspannung	25,2 V ===
<b>Motorisierte Mini-Bürste</b>			
Modell	VMM4		
Bemessungsleistung	20 W	Nennspannung	25,2 V ===
<b>Ladegerät</b>			
Modell	ZD024M340090EU	Durchschnittliche aktive Effizienz	87,01%
Eingang	100 - 240 V ~ 50-60 Hz, 0,8 A max	Effizienz bei geringer Belastung (10%)	77,01%
Ausgang	34 V === 0,9 A	Nulllast-Leerlaufleistung	0,1 W
<b>Wiederaufladbarer Lithium-Ionen-Akku</b>			
Akkumodell	P2033-8S1P-GYA		
Nennspannung	29,6 V ===	Sollkapazität	2900 mAh
Energie	81,4 Wh	Nennkapazität	2750 mAh






Der Lithium-Ionen-Akku enthält umweltgefährdende Stoffe. Bevor der Staubsauger entsorgt wird, muss zunächst der Akku entfernt werden, anschließend muss in Übereinstimmung mit den lokalen Gesetzen und Vorschriften des Landes oder der Region, in dem er benutzt wurde, eine Entsorgung oder Wiederverwertung stattfinden.

Falls der Staubsauger nicht korrekt funktionieren sollte, beachten Sie bitte die folgende Tabelle, um eine Problemlösung zu finden.

Fehler	Mögliche Ursache	Lösung
Der Staubsauger funktioniert nicht.	Der Akku ist leer oder fast leer.	Laden Sie den Staubsauger vollständig auf und versuchen Sie es erneut.
	Durch eine Blockade wurde der Überhitzungsschutz ausgelöst.	Warten Sie, bis der Staubsauger abgekühlt ist und versuchen Sie es dann erneut.
	Die Saugöffnung oder der Strömungsweg ist blockiert.	Befreien Sie die Ansaugöffnung oder den Strömungsweg von etwaigen Hindernissen.
Die Saugleistung ist reduziert.	Der Staubbehälter ist voll und/oder der Filter ist verstopft.	Leeren Sie das Staubfach und reinigen Sie die-Filtereinheit.
	Das Zubehörteil ist blockiert.	Entfernen Sie Blockaden vom Zubehörteil.
Der Motor gibt ein merkwürdiges Geräusch ab.	Die Hauptaugöffnung oder die Karbonfaserstange ist blockiert.	Beseitigen Sie die Blockaden in der Hauptaugöffnung oder der Karbonfaserstange.
Das erste Anzeigelicht ist nach Einschalten des Staubsaugers rot.	Der Akku ist beschädigt.	Wenden Sie sich bitte an den Kundendienst, um eine Wartung zu veranlassen.
Das erste Anzeigelicht blinkt beim Laden des Staubsaugers rot.	Das Ladegerät ist nicht kompatibel.	Benutzen Sie ausschließlich das Original-Ladegerät, um den Staubsauger aufzuladen.
Die Akku-Anzeige leuchtet während des Ladevorgangs nicht auf.	Das Ladegerät ist nicht mit dem Staubsauger verbunden.	Vergewissern Sie sich, dass das Ladegerät richtig eingesteckt ist.
	Der Akku ist vollständig geladen und ist in den Energiesparmodus gewechselt.	Der Staubsauger kann normal benutzt werden.
	Wenn die beiden vorstehend genannten Möglichkeiten ausgeschlossen worden sind und das Problem weiter besteht, Wenden Sie sich bitte an den Kundendienst, um Hilfe zu erhalten.	
Der Akku wird nur langsam geladen.	Die Temperatur des Akkus ist zu hoch oder zu niedrig.	Warten Sie, bis die Akkutemperatur sich normalisiert hat und setzen Sie dann die Benutzung fort.
Die LED-Lichter der Intelligenten Multiflächen-Bürste funktionieren nicht.	Die LED-Leuchten sind beschädigt.	Wenden Sie sich bitte an den Kundendienst, um Hilfe zu erhalten.

# Fehleralarm

Wenn irgendein Fehler bei der Verwendung des Produkts auftritt, wird der Bildschirm eine Fehlermeldung ausgeben. Sie sollten den Anweisungen auf dem Bildschirm folgen, um die normale Leistung sicherzustellen.

Fehler-Symbol	Status	Fehlermeldung	Lösungen
	Blinkt Rot	Hochtemperatur-Alarm	Warten Sie, bis die Akkutemperatur sich normalisiert hat, bevor Sie die Benutzung fortsetzen.
	Blinkt Orange	Die Rollbürste sitzt fest	Lesen Sie den Abschnitt [Reinigung der Intelligenten Multiflächen-Bürste] in der Pflegeanleitung, um die Bürstenwalze gewickelten Fasern und Haare zu entfernen.
	Blinkt Orange	Luftkanal blockiert	Prüfen Sie, ob der Staubbehälter, der Kohlefaserstab und die Intelligente Multiflächen-Bürste verstopft sind.
	Blinkt Orange	Der Filter läuft bald ab	Bitte tauschen Sie den Filter rechtzeitig aus. Halten Sie nach dem Filterwechsel die Auslöseschaltersperre 3 Sekunden lang gedrückt, um den Filter zurückzusetzen.
	Leuchtet Orange	Filter deinstalliert	Vergewissern Sie sich, dass der-Filter und der Vorfilter korrekt installiert sind.
	Leuchtet Rot	Fehler	Wenden Sie sich bitte an den Kundendienst, um eine Wartung zu veranlassen.
<p>Wenn einer der Fehlercodes von E0 bis E4 auf dem Display erscheint, wenden Sie sich bitte an den Kundendienst zur Reparatur.</p>			





Die durchgestrichene Mülltonne bedeutet, dass Sie gesetzlich verpflichtet sind, diese Geräte einer vom unsortierten Siedlungsabfall getrennten Erfassung zuzuführen. Die Entsorgung über die Restmülltonne oder die gelbe Tonne ist untersagt. Enthalten die Produkte Batterien oder Akkus, die nicht fest verbaut sind, müssen diese vor der Entsorgung entnommen und getrennt als Batterie entsorgt werden.

## Möglichkeiten der Rückgabe von Altgeräten

Besitzer von Altgeräten können diese im Rahmen der durch öffentlich-rechtlichen Entsorgungsträger eingerichteten und zur Verfügung stehenden Möglichkeiten der Rückgabe oder Sammlung von Altgeräten abgeben, damit eine ordnungsgemäße Entsorgung der Altgeräte sichergestellt ist. Unter dem folgenden Link besteht die Möglichkeit, sich ein Onlineverzeichnis der Sammel- und Rücknahmestellen anzuzeigen zu lassen: <https://www.ear-system.de/ear-verzeichnis/sammel-und-ruecknahmestellen>.

## Datenschutz

Wir weisen alle Endnutzer von Elektro- und Elektronikaltgeräten darauf hin, dass Sie für das Löschen personenbezogener Daten auf den zu entsorgenden Altgeräten selbst verantwortlich sind.

# Consignes de sécurité

Veillez lire attentivement ce manuel avant toute utilisation et le conserver pour pouvoir le consulter ultérieurement afin d'éviter les accidents, notamment les chocs électriques ou les incendies causés par une mauvaise utilisation.

## Avertissement

- Cet appareil peut être utilisé par des enfants à partir de 8 ans et par des personnes ayant des capacités physiques, sensorielles ou mentales réduites ou un manque d'expérience et de connaissances à condition qu'elles aient été placées sous surveillance ou qu'elles aient reçu des instructions concernant l'utilisation de l'appareil en toute sécurité et qu'elles comprennent les dangers encourus.
- L'aspirateur n'est pas un jouet. Les enfants ne doivent pas jouer avec ce produit ou l'utiliser. Soyez vigilant lorsque vous utilisez ce produit à proximité d'enfants. Les enfants ne sont pas autorisés à nettoyer ou à entretenir l'aspirateur sans la surveillance d'un parent ou d'un adulte.
- N'utilisez pas l'aspirateur à l'extérieur sur des surfaces mouillées. Utilisez-le uniquement sur des surfaces sèches à l'intérieur. Ne touchez pas la prise ou toute partie de l'aspirateur avec des mains mouillées.
- Vérifiez que la batterie au lithium et l'adaptateur de charge ne sont pas endommagés avant utilisation afin de réduire le risque d'incendie, d'explosion ou de blessure. N'utilisez pas l'aspirateur si l'un de ces éléments est endommagé.
- La brosse intelligente pour sol multi-surfaces, la petite brosse motorisée, la batterie, le tube en fibre de carbone et l'aspirateur sont électroconducteurs et ne doivent pas être plongés dans l'eau ou d'autres liquides. N'oubliez pas de sécher tous les filtres après les avoir nettoyés.
- Pour éviter les blessures liées aux pièces mobiles, éteignez l'aspirateur avant de nettoyer la brosse intelligente pour sol multi-surfaces. La brosse intelligente pour sol multi-surfaces, le bac à poussière et le filtre doivent tous être correctement installés avant d'utiliser l'aspirateur.
- Utilisez uniquement l'adaptateur de charge d'origine. N'utilisez jamais d'adaptateur d'une autre marque, car la batterie au lithium pourrait prendre feu.
- N'utilisez pas l'aspirateur pour aspirer des liquides inflammables ou combustibles, comme de l'essence, ou de l'eau de javel, de l'ammoniaque, des nettoyeurs pour canalisations ou tout autre liquide.
- N'utilisez pas l'aspirateur pour aspirer des particules de plâtre, des cendres ou des matériaux de combustion ou des substances fumigènes, tels que du charbon, des mégots de cigarette ou des allumettes.
- N'utilisez pas l'aspirateur pour aspirer des objets durs ou pointus, comme du verre, des clous, des vis ou des pièces de monnaie sous peine d'endommager l'appareil.
- Tenez vos cheveux, tout vêtement ample, vos doigts et toute autre partie du corps éloignés des orifices et des pièces amovibles de l'aspirateur. Ne dirigez pas le tuyau, le tube ou les accessoires vers vos yeux ou vos oreilles et ne les placez pas dans votre bouche.

- Ne placez aucun objet dans les orifices de l'aspirateur. N'utilisez pas l'aspirateur en cas d'obstruction d'un des orifices. Retirez la poussière, les peluches, les cheveux ou tout autre élément susceptible de réduire le flux d'air.
- Ne placez pas l'aspirateur contre une chaise, une table ou toute surface instable sous peine d'endommager l'appareil ou de vous blesser. Si l'aspirateur est endommagé ou fonctionne mal en raison d'une chute, contactez notre service après-vente agréé. Ne tentez jamais de démonter l'appareil vous-même.
- Toutes les instructions du manuel relatives à la recharge de la batterie doivent être suivies scrupuleusement. Vous pourriez endommager la batterie si vous ne la chargez pas dans la plage de températures spécifiée.
- Utilisez uniquement des accessoires et pièces de rechange recommandés par le fabricant.
- Veillez à débrancher l'aspirateur lorsqu'il n'est pas utilisé pendant une période prolongée ou avant tout entretien ou toute réparation.
- Soyez extrêmement vigilant lorsque vous utilisez l'aspirateur pour nettoyer un escalier.
- Ce produit ne doit pas être installé, chargé ou utilisé à l'extérieur, dans une salle de bains ou autour d'une piscine.
- Avertissement sur le risque d'incendie : N'appliquez aucun parfum dans le filtre de l'aspirateur. L'appareil pourrait prendre feu, car ces types de produits sont connus pour contenir des produits chimiques inflammables.
- Utilisez uniquement le chargeur d'origine (modèle ZD024M340090EU). Si cette consigne n'est pas respectée, la batterie lithium-ion risque de prendre feu.
- Utilisez uniquement le type de batterie approuvé (modèle V2312-8S1P-GYA). Si cette consigne n'est pas respectée, la batterie lithium-ion risque de prendre feu.
- Si le matériau de la batterie fuit, éloignez le personnel de la zone jusqu'à ce que les batteries refroidissent et que les fumées se dissipent.
- Assurer une ventilation maximale pour dissiper les gaz dangereux et éviter le contact avec la peau et les yeux ou l'inhalation des vapeurs.
- Enlever le liquide répandu avec un absorbant et incinérer les déchets.
- Ne pas l'utiliser ni le déposer dans des environnements extrêmement chauds ou froids (en dessous de 0°C /32°F ou au-dessus de 40°C /104°F). Chargez à une température entre 0°C et 40°C en utilisant l'adaptateur d'alimentation d'origine.

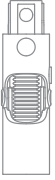
Ce produit est conçu pour une utilisation domestique uniquement.

Par la présente, Dreame Trading (Tianjin) Co., Ltd., déclare que cet équipement est conforme aux directives et normes européennes applicables, ainsi qu'à leurs amendements. L'intégralité de la déclaration de conformité pour l'UE est disponible à l'adresse suivante: <https://global.dreame.tech.com>

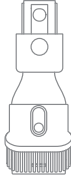
Pour obtenir un manuel électronique détaillé, rendez-vous sur le site <https://global.dreame.tech.com/pages/user-manuals-and-faqs>

# Présentation du produit

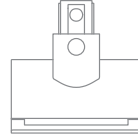
## Liste des accessoires



Adaptateur flexible



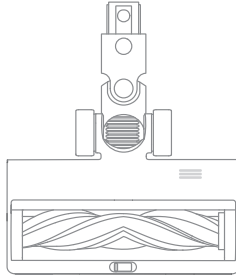
Outil à combinaison large



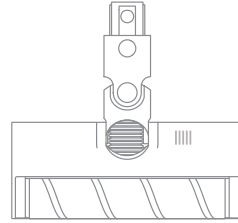
Mini-brosse motorisée



Extension en fibre de carbone



Brosse intelligente pour multi-surfaces



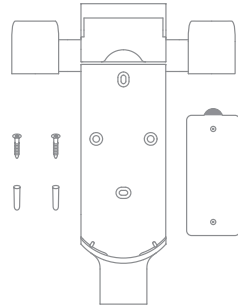
Brosse à rouleau souple



Outil combiné flexible



Chargeur

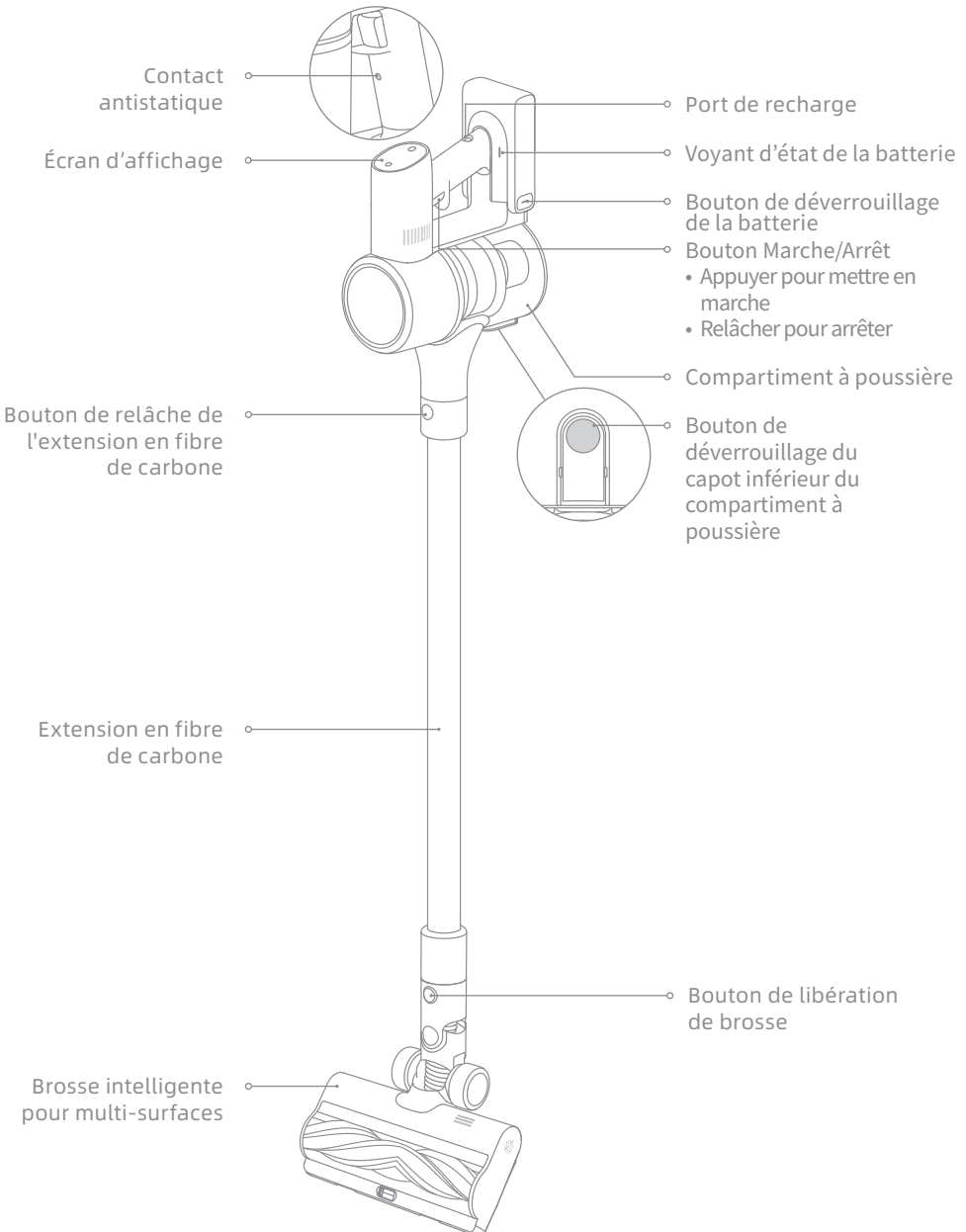


Station de charge et de stockage 2-en-1  
(inclut 2 vis, 2 chevilles murales, un patron d'installation autocollant)

Rappel : Photo non contractuelle, veuillez vous référer aux objets concrets.

# Présentation du produit

## Nom du composant



# Présentation du produit

## Fonction introduction de l'écran d'affichage



Alarme de température élevée



La brosse du rouleau est coincée



Conduit d'air bloqué



Erreurs

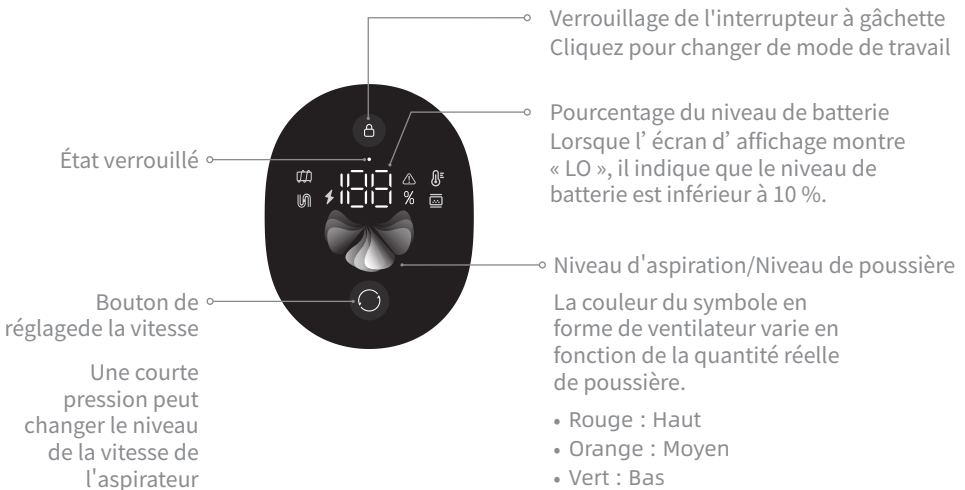


Filtre désinstallé/Le filtre sera bientôt périmé



Voyant de charge/ de faible niveau de batterie

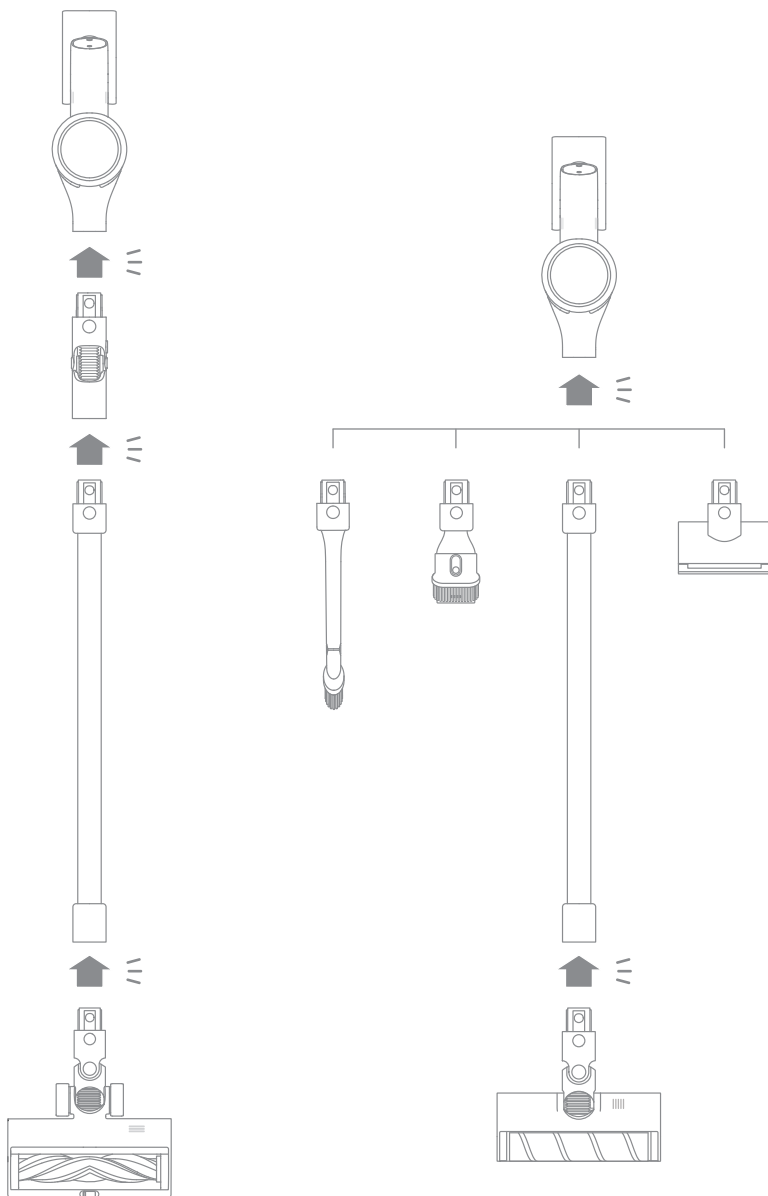
- Clignotement rouge : Niveau de batterie  $\leq$  10%
- Clignotement rouge lentement : Niveau de batterie  $\leq$  10% (charge en cours)
- Clignotement r vert lentement : Niveau de batterie  $>$  10% (charge en cours)



# Procédure d'installation

## Installation des accessoires sur l'aspirateur

☰ Insérer jusqu' à entendre un déclic

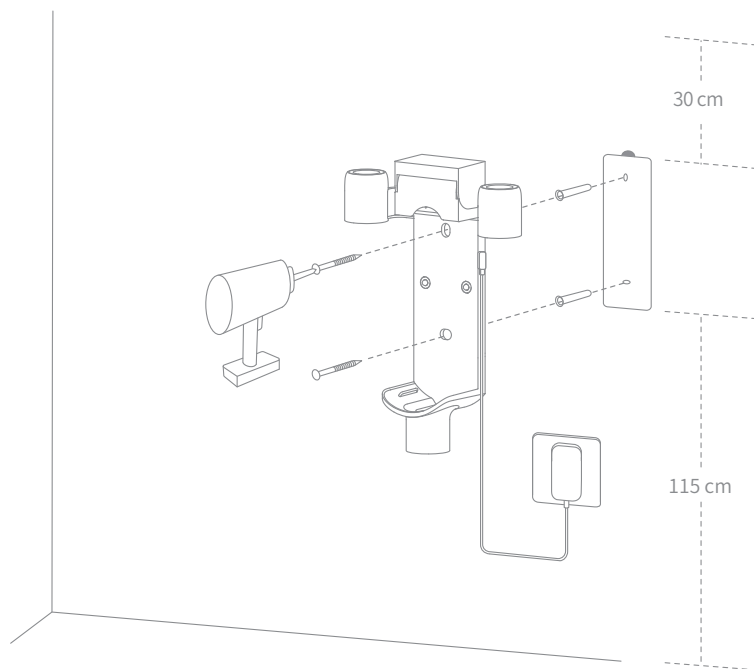


# Procédure d'installation

## Installation de la station de charge et de stockage 2-en-1

1. Le bas du patron d'installation autocollant doit être horizontal et à 115 cm du sol minimum. Un espace de 30 cm doit être libre au-dessus du patron.
2. Utilisez une perceuse électrique avec une fraise de 8 mm pour percer un trou à chaque emplacement indiqué sur le patron d'installation. Ensuite, insérez une cheville murale dans chaque trou.
3. Alignez les trous de montage sur la station de charge et de stockage 2-en-1 et ceux percés dans le mur. Fixez la station au mur à l'aide des vis fournies.

(\*30 cm : Faites de la place pour l'achat de batterie de recharge à l'avenir).



### Remarque :

- Cette station est un accessoire facultatif que vous pouvez installer en fonction de vos besoins.
- Remarque: La station de charge et de stockage 2-en-1 doit être installée dans un lieu sec et frais, à proximité d'une prise électrique. Avant l'installation, vérifiez qu'il n'y ait pas de fil électrique ou de tuyauterie dans l'espace directement situé derrière l'emplacement où sera placée la station.



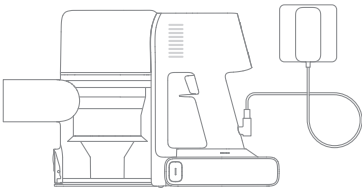
# Recharge

Remarque :

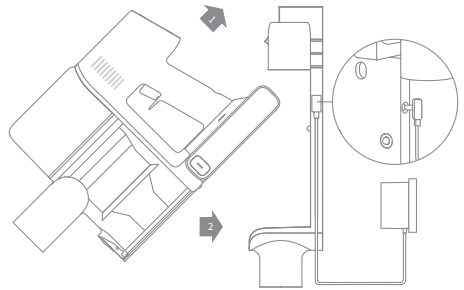
- Chargez entièrement la batterie de l'aspirateur avant la première utilisation.
- Cette opération dure environ 4 heures.
- L'aspiration en mode Turbo pendant une période prolongée peut entraîner la surchauffe de la batterie, ce qui augmente le temps de charge. Laissez l'aspirateur refroidir pendant 30 minutes avant de le charger.

## Modes de charge

Recharge de l'aspirateur avec le chargeur



Recharge de l'aspirateur sur la station de charge



## Affichage des modes de fonctionnement

Écran d'affichage

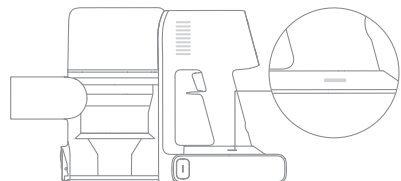
Le nombre figurant sur l'écran d'affichage représente le niveau de batterie actuel en pourcentage pendant la charge. Lorsque ce nombre atteint 100, la batterie est complètement chargée.



Voyant d'état de la batterie

Lors de la charge, les trois indicateurs clignotent puis s'allument constamment et successivement en fonction de l'état de la batterie. Lorsque la charge est terminée, les trois indicateurs restent allumés en permanence.

Remarque : Une fois l'aspirateur entièrement chargé, le voyant s'éteint au bout de 5 minutes et l'appareil passe en mode économie d'énergie.



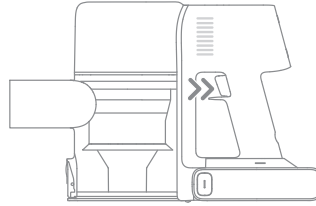
# Mode d'utilisation

## Mode de nettoyage

Il existe deux modes de fonctionnement pour l'aspirateur, qui peuvent être sélectionnés en fonction de vos propres besoins.

### Mode 1 : Mode de nettoyage discontinu

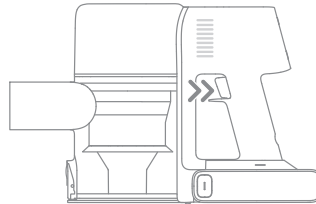
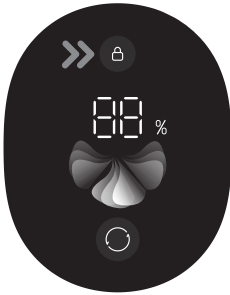
Dans ce mode, appuyez brièvement sur l'interrupteur pour suspendre le fonctionnement ou démarrer à nouveau, et le mode de fonctionnement de l'aspirateur ne changera pas.



### Mode 2 : Mode de nettoyage continu (verrouillage de l'interrupteur à gâchette)

Pour changer vers le Mode de Nettoyage Continu lorsque l'aspirateur est allumé, engagez la clé de verrouillage de l'interrupteur à gâchette. Relâchez ensuite le bouton marche/arrêt pour démarrer le Mode de Nettoyage Continu.

Utilisez le verrouillage de l'interrupteur à gâchette pour vous permettre de libérer vos doigts et éviter ainsi la fatigue causée par le maintien de l'interrupteur.



Remarque :

- Lorsque ce mode est active, l'indicateur de verrouillage devrait afficher une lumière constante.
- Cliquez à nouveau sur le verrouillage de l'interrupteur à gâchette pour quitter le mode de nettoyage continu.

## Commutateur de vitesses

Appuyez sur le bouton  pour alterner entre les niveaux auto et turbo.

En mode Turbo, tous les symboles en forme de ventilateur s'allumeront en blanc.

En mode Auto uniquement, le niveau d'aspiration et la couleur du symbole en forme de ventilateur varient en fonction de la quantité de poussière aspirée.

# Mode d'utilisation

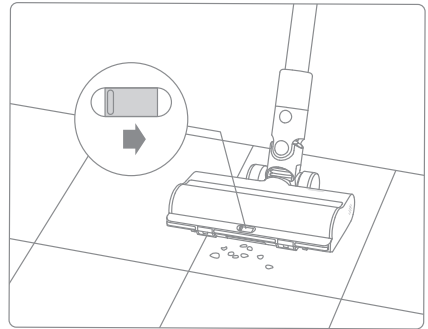
## Utilisation des différents accessoires

### Brosse intelligente pour multi-surfaces

Remarque :

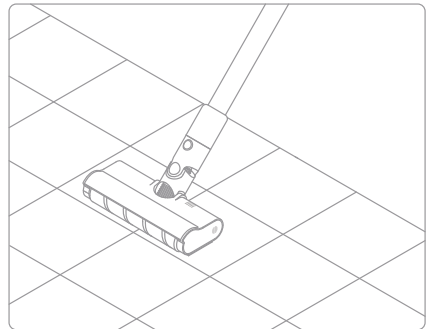
- La brosse intelligente pour multi-surfaces peut être directement fixée sur l'aspirateur.
- Lorsque l'appareil démarre, les lumières devant la brosse à rouleau s'allumeront automatiquement, ce qui est pratique à l'utilisation.

- Adapte à l'aspiration des tapis d'épaisseur fine/moyenne, carreaux et sols
- Pour aspirer de grosses particules en allumant le commutateur sur la brosse, comme des grains de café, des céréales, etc.



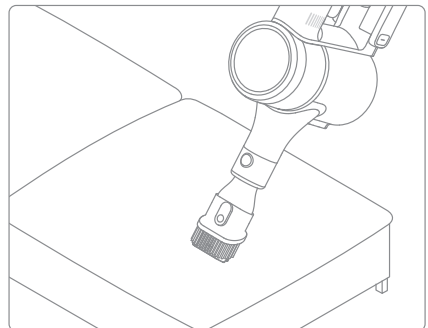
### Brosse à rouleau souple

Pour le nettoyage de sols durs tels que le marbre et les planchers.



### Outil à combinaison large

Pour l'aspiration de rideaux, canapés, intérieur de véhicules, tables de salon, etc.

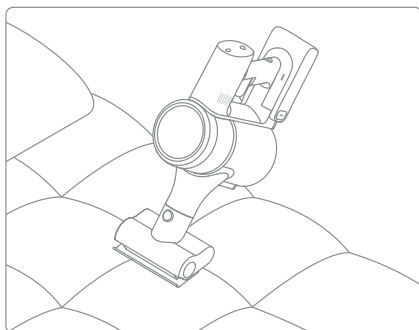


# Mode d'utilisation

## Mini-brosse motorisée

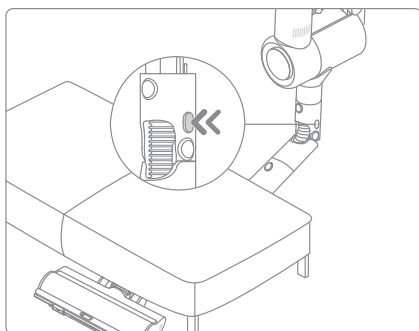
Pour l'aspiration de poussière, poils d'animaux et autres résidus tenaces sur des canapés, linges de lit et autres surfaces en tissu.

Remarque : il n'est pas recommandé de passer l'aspirateur sur les surfaces qui accrochent, comme la soie.



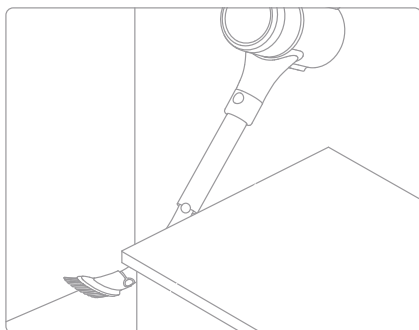
## Adaptateur flexible

Plier et étendre la barre en un clic permet d'atteindre facilement l'en-dessous des meubles les plus bas, comme les lits ou sofas.



## Outil combiné flexible

Buse à brosse rétractable et pliable, plus flexible pour aspirer dans les interstices.



Remarque:

- Si un pièce rotative se coince, l'aspirateur est susceptible de s'éteindre automatiquement. Retirez tout objet coincé dans l'aspirateur, puis poursuivez votre utilisation.
- Quand le moteur surchauffe en fonctionnement, l'aspirateur s'éteint automatiquement. Attendez que la température de la batterie revienne à un niveau normal, puis poursuivez votre utilisation.

## Précautions concernant la maintenance

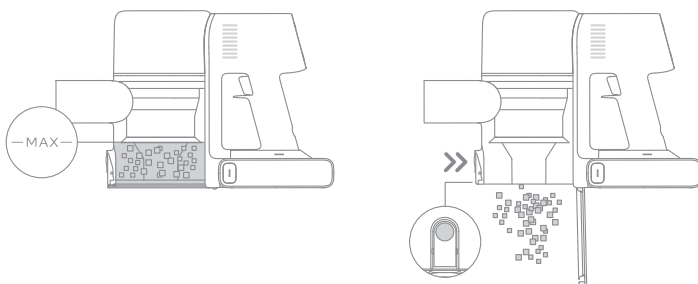
- Utilisez toujours des pièces d'origine, faute de quoi la garantie pourrait être annulée.
- En cas d'obstruction du filtre ou du bec, l'aspirateur s'arrête de fonctionner peu après avoir été mis sous tension. Nettoyez le filtre ou le bec afin de rétablir son fonctionnement.
- Si vous ne prévoyez pas d'utiliser l'aspirateur pendant une période prolongée, chargez-le entièrement, débranchez-le, puis entreposez-le dans un endroit frais, à l'abri de l'humidité et de la lumière directe du soleil. Afin d'éviter une décharge excessive de la batterie, rechargez l'aspirateur au moins une fois tous les trois mois.

## Nettoyage de l'aspirateur Vacuum.

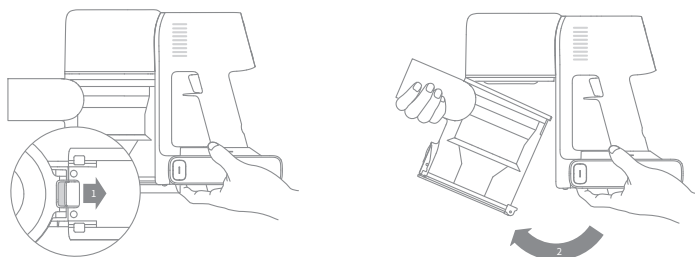
Essayez l'aspirateur avec un chiffon doux et sec.

## Nettoyage du compartiment à poussière, du préfiltre et de l'ensemble cyclone

1. Appuyez sur le bouton de déverrouillage du capot inférieur du compartiment à poussière, puis videz celui-ci.



2. Poussez l'interrupteur de déverrouillage du compartiment à poussière dans la direction indiquée par la flèche, puis retirez délicatement le compartiment à poussière de l'aspirateur.

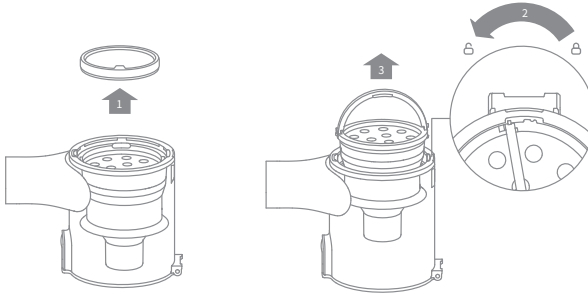


Remarque:

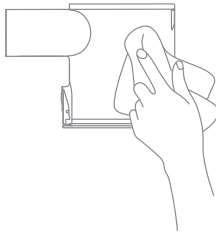
- La capacité de nettoyage de l'aspirateur diminuera si le compartiment à poussière est rempli jusqu'au niveau « MAX ». Videz-le pour améliorer les performances.
- Avant de vider le compartiment, assurez-vous d'avoir bien débranché l'aspirateur et n'appuyez pas sur le bouton marche/arrêt.

# Entretien et maintenance

3. Retirez d'abord le préfiltre, puis levez la poignée de l'ensemble cyclone et tournez-la dans le sens inverse des aiguilles d'une montre jusqu'à ce qu'elle ne puisse plus tourner. Tirez ensuite pour soulever l'ensemble cyclone.

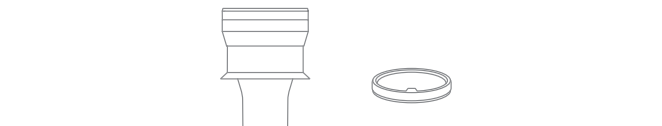


4. Essuyez le bac à poussière avec un chiffon humide et doux. Veillez à essorer le chiffon avant utilisation.



Pour réduire le risque de choc électrique, ne rincez pas le compartiment à poussière avec de l'eau.

5. Rincez l'ensemble du cyclone et pré-filtrez jusqu'à ce qu'ils soient propres. Après le lavage, laissez sécher à l'air pendant au moins 24 heures.



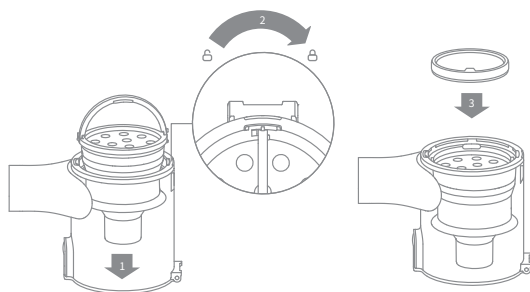
Ensemble cyclone

Préfiltre

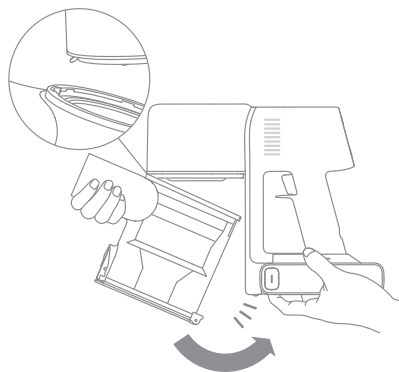
Remarque: Il est recommandé de nettoyer le pré-filtre, au moins, une fois tous les 3 mois et le système cyclone, au moins, une fois tous les 6 mois.

## Installation du compartiment à poussière, du préfiltre et de l'ensemble cyclone

1. Insérez l'ensemble cyclone à la verticale dans le compartiment à poussière. Assurez-vous que la poignée de l'ensemble cyclone est alignée avec l'encoche située à gauche du compartiment à poussière. Tournez la poignée dans le sens des aiguilles d'une montre jusqu'à ce qu'elle se verrouille, puis rabattez-la.
2. Placez le préfiltre face vers le haut dans l'ensemble cyclone.



3. Inclinez légèrement le compartiment à poussière pour que son encoche soit alignée avec le clip sur l'aspirateur. Enfoncez délicatement le compartiment à poussière jusqu'à entendre un déclic.

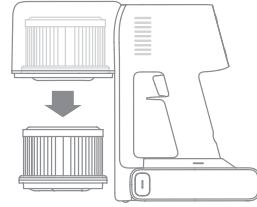
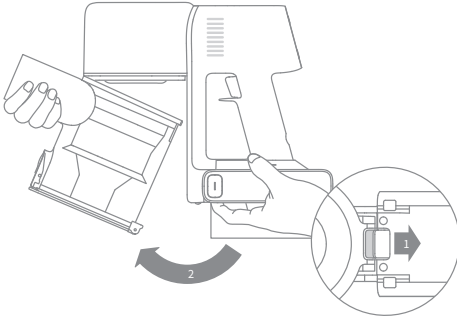


# Entretien et maintenance

## Nettoyage du filtre

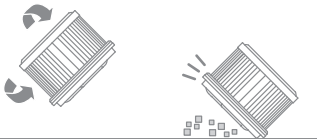
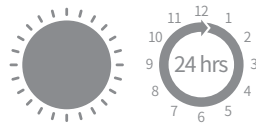
1. Retirez le compartiment à poussière comme illustré sur le schéma.

2. Retirez le filtre de l'aspirateur en tirant dessus, dans la direction indiquée sur le schéma.



3. Nettoyez le filtre avec de l'eau claire. Assurez-vous de faire pivoter le filtre à 360° afin de bien éliminer toute poussière coincée dedans. Tapotez légèrement le filtre plusieurs fois pour éliminer tout excès de poussière.

4. Laissez le filtre sécher complètement pendant au moins 24 heures.



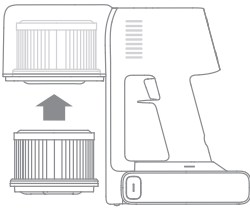
### Remarque:

- Il est recommandé de nettoyer le filtre tous les 4 à 6 mois.
- Pour nettoyer le filtre, n'utilisez que de l'eau claire. N'utilisez pas de détergents.
- N'essayez pas de nettoyer le filtre avec une brosse ou vos doigts.

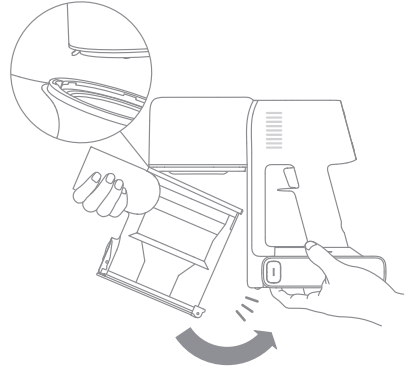


## Installation du filtre

1. Insérez le filtre dans l'aspirateur et enfoncez-le délicatement, comme indiqué sur le schéma.



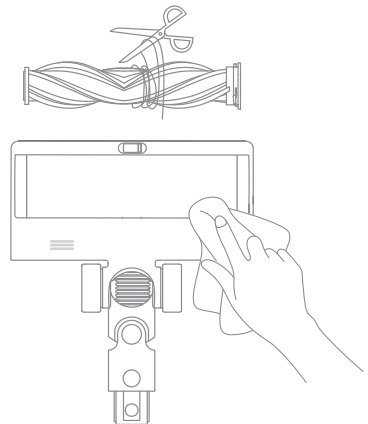
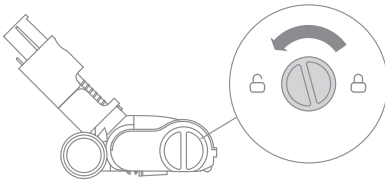
2. Réinstallez le compartiment à poussière.



## Nettoyage de la brosse intelligente pour multi-surfaces

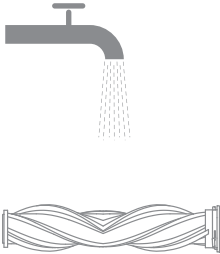
1. Tournez le verrou dans le sens inverse des aiguilles d'une montre jusqu'à ce qu'il s'arrête, puis retirez le rouleau de la brosse à rouleau.

2. Utilisez des ciseaux pour couper les poils et les fibres qui restent coincés sur le rouleau. Essuyez la poussière de l'encoche et du couvercle transparent avec un chiffon sec ou une serviette en papier. Séchez-les soigneusement avant de les utiliser.

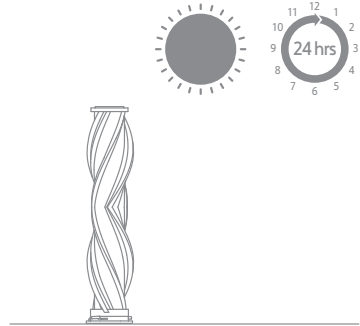


# Entretien et maintenance

3. Lorsqu'il est sale, rincez le rouleau à l'eau claire jusqu'à ce qu'elle soit propre.

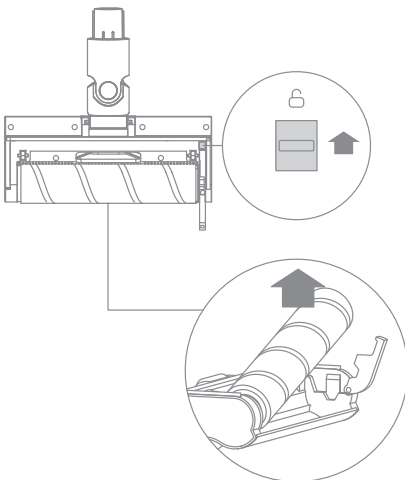


4. Mettez le rouleau en position verticale pendant au moins 24 heures jusqu'à ce qu'elle soit complètement sec.

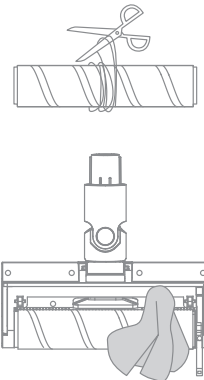


## Nettoyage de la brosse à rouleau souple

1. Comme représenté sur l'illustration, appuyez sur le bouton de déverrouillage de la brosse à rouleau pour dégager le rouleau de la fente.

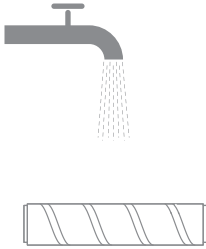


2. À l'aide d'un ciseau, coupez les cheveux et les fibres qui restent bloqués sur la brosse à rouleau et les roues. Dépoussiérez l'encoche et le couvercle transparent avec un chiffon sec ou de l'essuie-tout. Séchez bien avant utilisation.

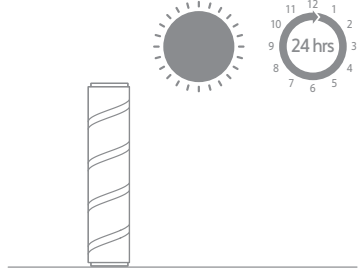


# Entretien et maintenance

3. Lorsqu'il est sale, rincez le rouleau à l'eau claire jusqu'à ce qu'elle soit propre.

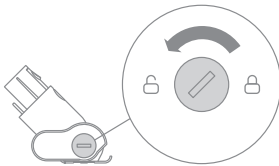


4. Mettez le rouleau en position verticale pendant au moins 24 heures jusqu'à ce qu'elle soit complètement sec.

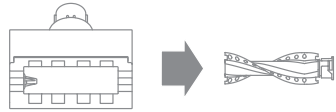


## Nettoyage de la mini-brosse motorisée

1. Utilisez une pièce de monnaie pour faire tourner le verrou dans le sens inverse des aiguilles d'une montre jusqu'à entendre un déclic.



2. Après avoir déverrouillé la mini-brosse motorisée, retirez le rouleau, puis rincez-la et nettoyez-la.



3. Placez le rouleau en position verticale dans un endroit bien ventilé pendant au moins 24 heures, jusqu'à ce qu'elle soit complètement sèche.



4. Une fois que le rouleau est sèche, réinstallez-la en suivant les étapes de démontage en sens inverse.

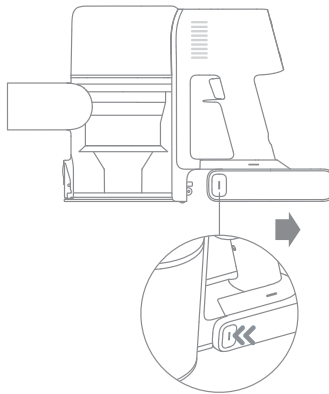


# Entretien et maintenance

## Batterie

L'aspirateur contient une batterie lithium-ion rechargeable disposant d'un nombre limité de cycles de charge. Après un usage prolongé, la batterie est susceptible de se décharger rapidement. Si c'est le cas, cela signifie que la batterie est arrivée au bout de sa durée de vie et doit être remplacée.

1. Appuyez sur le bouton de déverrouillage de la batterie et faites-la glisser vers la droite pour la retirer, comme illustré sur le schéma.
2. Installez la nouvelle batterie.



# Caractéristiques

<b>Aspirateur</b>			
Modèle	VTV97A	Tension de charge	34 V ===
Puissance nominale	570 W	Tension nominale	29,6 V ===
Temps de Charge	Environ 4 heures		
<b>Brosse intelligente pour multi-surfaces</b>			
Modèle	VMB9		
Puissance nominale	40 W	Tension nominale	25,2 V ===
<b>Brosse à rouleau souple</b>			
Modèle	ASF4		
Puissance nominale	40 W	Tension nominale	25,2 V ===
<b>Mini-brosse motorisée</b>			
Modèle	VMM4		
Puissance nominale	20 W	Tension nominale	25,2 V ===
<b>Chargeur</b>			
Modèle	ZD024M340090EU	Efficacité active moyenne	87,01%
Entrée	100 - 240 V ~ 50-60 Hz, 0,8 A max	Efficacité à faible charge (10%)	77,01%
Sortie	34 V === 0,9 A	Consommation d'énergie sans charge	0,1 W
<b>Batterie rechargeable lithium-ion</b>			
Modèle de la batterie	P2033-8S1P-GYA		
Tension nominale	29,6 V ===	Capacité nominale	2900 mAh
Énergie	81,4 Wh	Capacité de fonctionnement	2750 mAh






La batterie lithium-ion contient des substances dangereuses pour l'environnement. Avant de mettre l'aspirateur au rebut, retirez d'abord la batterie pour la jeter ou la recycler conformément à la législation et à la réglementation locales du pays ou de la région dans lequel ou laquelle il est utilisé.

En cas de dysfonctionnement de l'aspirateur, consultez le tableau ci-dessous.

Erreur	Cause possible	Solution
L'aspirateur ne fonctionne pas.	La batterie est déchargée ou faible.	Rechargez complètement l'aspirateur avant de reprendre votre utilisation.
	Le mode de protection contre la surchauffe se déclenche suite à une obstruction.	Attendez que l'aspirateur refroidisse, puis réactivez-le.
	L'orifice d'aspiration ou le conduit d'air est obstrué.	Retirez les débris susceptibles de bloquer l'orifice d'aspiration ou le conduit d'air.
La puissance d'aspiration est affaiblie.	Le compartiment à poussière est rempli et/ou le filtre est obstrué.	Videz le compartiment à poussière et nettoyez l'ensemble filtre.
	L'accessoire est obstrué.	Retirez les débris susceptibles d'obstruer l'accessoire.
Le moteur fait un bruit anormal.	L'embout principal ou l'extension en fibre de carbone sont bouchés	Dégagez les bouchons dans l'embout principal ou l'extension en fibre de carbone.
Le premier voyant est rouge après avoir allumé l'aspirateur.	La batterie est endommagée.	Contactez le service après-vente pour assurer la maintenance.
Le premier voyant clignote en rouge quand l'aspirateur est en charge.	Le chargeur n'est pas compatible.	Utilisez uniquement le chargeur d'origine pour recharger l'aspirateur.
Le voyant de batterie ne s'allume pas lorsque l'aspirateur est en charge.	Le chargeur n'est pas connecté à l'aspirateur.	Assurez-vous que le chargeur est branché correctement.
	La batterie est complètement chargée et l'appareil est passé en mode veille.	L'aspirateur peut être utilisé normalement.
	Si le problème persiste après avoir écarté les deux possibilités ci-dessus, contactez le service après-vente qui vous aidera.	
La batterie charge lentement.	La température de la batterie est trop basse ou trop élevée.	Attendez que la température de la batterie revienne à un niveau normal, puis reprenez votre session de nettoyage.
Les lumières LED de la brosse intelligente pour multi-surfaces ne fonctionnent pas.	Les lumières LED sont endommagées.	Contactez le service après-vente qui vous aidera.

# Indication pour la panne

Si vous devez prêter attention à une anomalie quelconque pendant l'utilisation du produit, l'écran affichera un message d'avertissement. Vous devez suivre les instructions à l'écran pour que les performances restent normales.

Icône d'erreur	Statut	Message d'erreur	Solutions
	Clignotement rouge	Alarme de température élevée	Attendez que la température de la batterie revienne à un niveau normal avant de reprendre votre session de nettoyage.
	Clignotement orange	La brosse du rouleau est coincée	Reportez-vous à la section du guide d'entretien [Nettoyage de la brosse intelligente pour multi-surfaces] pour retirer les fibres et les cheveux enroulés autour de la brosse à rouleau.
	Clignotement orange	Conduit d'air bloqué	Vérifiez que le bac à poussière, la tige en fibre de carbone et la brosse intelligente pour multi-surfaces ne sont pas bloqués.
	Clignotement orange	Le filtre sera bientôt périmé	Veuillez remplacer le filtre à temps. Après avoir remplacé le filtre, maintenez le verrou de la gâchette enfoncé pendant 3 secondes pour réinitialiser le filtre.
	Orange fixe	Filtre désinstallé	Vérifiez que le filtre et le préfiltre sont installés correctement.
	Rouge fixe	Erreurs	Contactez le service après-vente pour assurer la maintenance.
Si l'un des codes de défaut de E0 à E4 s'affiche, veuillez contacter l'équipe de service après-vente pour toute réparation.			

## Informations DEEE



Tous les produits portant ce symbole deviennent des déchets d'équipements électriques et électroniques (DEEE dans la Directive européenne 2012/19/UE) qui ne doivent pas être mélangés aux déchets ménagers non triés. Vous devez contribuer à la protection de l'environnement et de la santé humaine en apportant l'équipement usagé à un point de collecte dédié au recyclage des équipements électriques et électroniques, agréé par le gouvernement ou les autorités locales. Le recyclage et la destruction appropriés permettront d'éviter tout impact potentiellement négatif sur l'environnement et la santé humaine. Contactez l'installateur ou les autorités locales pour obtenir plus d'informations concernant l'emplacement ainsi que les conditions d'utilisation de ce type de point de collecte.



**FR**  
**Cet appareil, ses accessoires, piles et cordons se recyclent**

À DÉPOSER EN MAGASIN    À DÉPOSER EN DÉCHÈTERIE

OU




Points de collecte sur [www.quefairedemesdechets.fr](http://www.quefairedemesdechets.fr)  
 Privilégiez la réparation ou le don de votre appareil !



# Importanti istruzioni disicurezza

Per evitare scosse elettriche, incendi e altre lesioni accidentali causate da un uso improprio, leggere attentamente questo manuale di istruzioni prima dell'uso.

## Avvertenze

- Questo dispositivo non può essere utilizzato da persone con disabilità fisiche, sensoriali o intellettuali e da persone senza esperienza e conoscenza pertinenti, compresi i bambini, a meno che non vi sia supervisione o guida di un tutore per garantirne l' utilizzo sicuro.
- Ai bambini è vietato utilizzare o giocare con il dispositivo. Quando si utilizza il prodotto vicino a un bambino, è necessario prestare particolare attenzione; al bambino è vietato provvedere alla pulizia o alla manutenzione del dispositivo senza un tutore.
- Non utilizzare su superfici esterne o bagnate. Utilizzare solo su superfici interne asciutte. Non toccare la spina o qualsiasi parte del dispositivo con le mani bagnate.
- Verificare che la batteria al litio e il caricabatterie non siano danneggiati prima dell'uso. Per prevenire incendi, esplosioni o lesioni, non utilizzare l'aspirapolvere quando la batteria al litio o il caricabatterie sono danneggiati.
- La spazzola intelligente multi-superficie, la mini-spazzola motorizzata, la batteria, l'asta in fibra di carbonio e l' aspiratore sono elettricamente conduttivi e non devono essere immersi in acqua o altri liquidi. Assicurarsi di asciugare tutti i filtri dopo la pulizia.
- Per evitare lesioni causate da parti in movimento, spegnere l'aspirapolvere prima di pulire la spazzola intelligente multi-superficie. La spazzola intelligente multi-superficie, il contenitore della polvere e il filtro devono essere installati correttamente prima di utilizzare l'aspirapolvere.
- Utilizzare solo il caricabatterie originale, non utilizzare un adattatore non ufficiale, poiché ciò potrebbe provocare l'incendio della batteria al litio.
- Non utilizzare questa apparecchiatura per acqua, benzina e altri liquidi infiammabili o esplosivi, non inalare soluzioni tossiche come candeggina al cloro, ammoniaca, detersivi per fognature o altri liquidi.
- È vietato utilizzare questo aspirapolvere per pulire la polvere di cartongesso, la brace del camino e la cenere e astenersi dall'inalare il fumo o bruciare materiali come carbone, mozziconi di sigaretta o fiammiferi. È vietato utilizzare l'aspirapolvere per pulire oggetti appuntiti come vetro, chiodi, viti, monete, altrimenti danneggerà l'aspirapolvere.
- Non utilizzare l'aspirapolvere per raccogliere oggetti duri o taglienti, come vetro, unghie, viti o monete, che potrebbero danneggiarlo.
- Tenere il flusso d'aria e le parti mobili del dispositivo lontano da capelli, indumenti larghi, dita e altre parti del corpo. Non puntare connettori metallici o altri accessori verso gli occhi, le orecchie o la bocca.
- Non posizionare oggetti sul bocchaglio. È vietato bloccare la bocca di aspirazione quando si utilizza l'aspirapolvere. Polvere, cotone idrofilo, capelli o altri oggetti possono indebolire il flusso d'aria. Pulirlo per tempo.

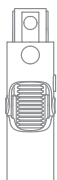
- Non posizionare l'aspirapolvere sulla sedia, sul tavolo da pranzo e su altre superfici instabili per evitare danni all'aspirapolvere o danni all'utente. Quando l'aspirapolvere è rotto, danneggiato o funziona in modo anomalo, contattare il Servizio di Assistenza ufficiale autorizzata per lo smaltimento.
- Caricare la batteria rispettando scrupolosamente le istruzioni contenute nel manuale. Se non viene caricata correttamente entro l'intervallo di temperatura specificato, la batteria potrebbe danneggiarsi.
- Usa solo accessori e parti di ricambio consigliati dal produttore.
- Scollegare l'unità per lunghi periodi di tempo e prima della manutenzione o della riparazione.
- Prestare particolare attenzione quando si utilizza la pulizia del prodotto.
- Non installare, caricare o utilizzare il dispositivo all'aperto, in bagno o in piscina.
- Avviso di pericolo di incendio, non applicare alcun prodotto aromatico al filtro di questo prodotto, poiché i prodotti chimici in tali prodotti sono infiammabili e causano l'incendio del prodotto.
- Utilizzare esclusivamente il caricabatterie originale (modello ZD024M340090EU). In caso contrario, la batteria agli ioni di litio potrebbe prendere fuoco.
- Utilizzare esclusivamente il tipo di batteria approvato (modello P2033-8S1P-GYA). In caso contrario, la batteria agli ioni di litio potrebbe prendere fuoco.
- Se si verifica una fuoriuscita del materiale delle batterie, evacuare il personale dall'area fino a quando le batterie non si sono raffreddate e i fumi dispersi.
- Assicurare la massima ventilazione per eliminare i gas nocivi ed evitare il contatto con la pelle e gli occhi o l'inalazione dei vapori.
- Rimuovere il liquido fuoriuscito con materiale assorbente e incenerire i rifiuti.
- Non utilizzare o conservare il prodotto in ambiente estremamente caldo o freddo (inferiore a 0°C / 32°F o superiore a 40°C / 104°F). Utilizzare l'adattatore di alimentazione originale per la ricarica a temperatura tra 0°C e 40°C.
- Il prodotto è progettato esclusivamente per uso domestico.

Con la presente, Dreame Trading (Tianjin) Co., Ltd. dichiara che questo apparecchio è conforme alle direttive applicabili e alle norme europee, nonché ai relativi emendamenti. Il testo completo della dichiarazione di conformità UE è disponibile al seguente indirizzo Internet: <https://global.dreame.tech.com>

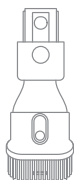
Per un manuale elettronico dettagliato, per favore visita <https://global.dreame.tech.com/pages/user-manuals-and-faqs>.

# Panoramica del prodotto

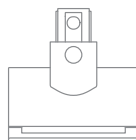
## Elenco accessori



Adattatore flessibile inferiore



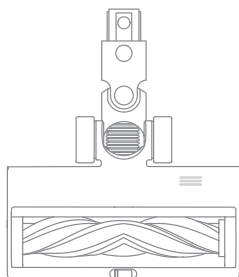
Strumento di combinazione ampia



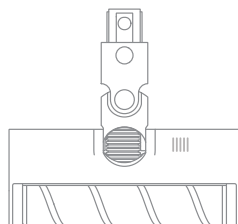
Minispazzola motorizzata



Tubo in fibra di carbonio



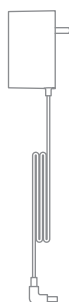
Spazzola intelligente multisuperficie



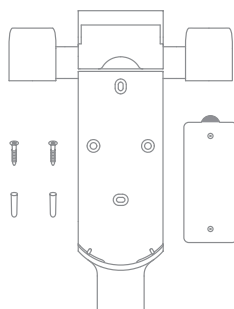
Pennello a rullo morbido



Strumento di combinazione flessibile



Caricabatterie



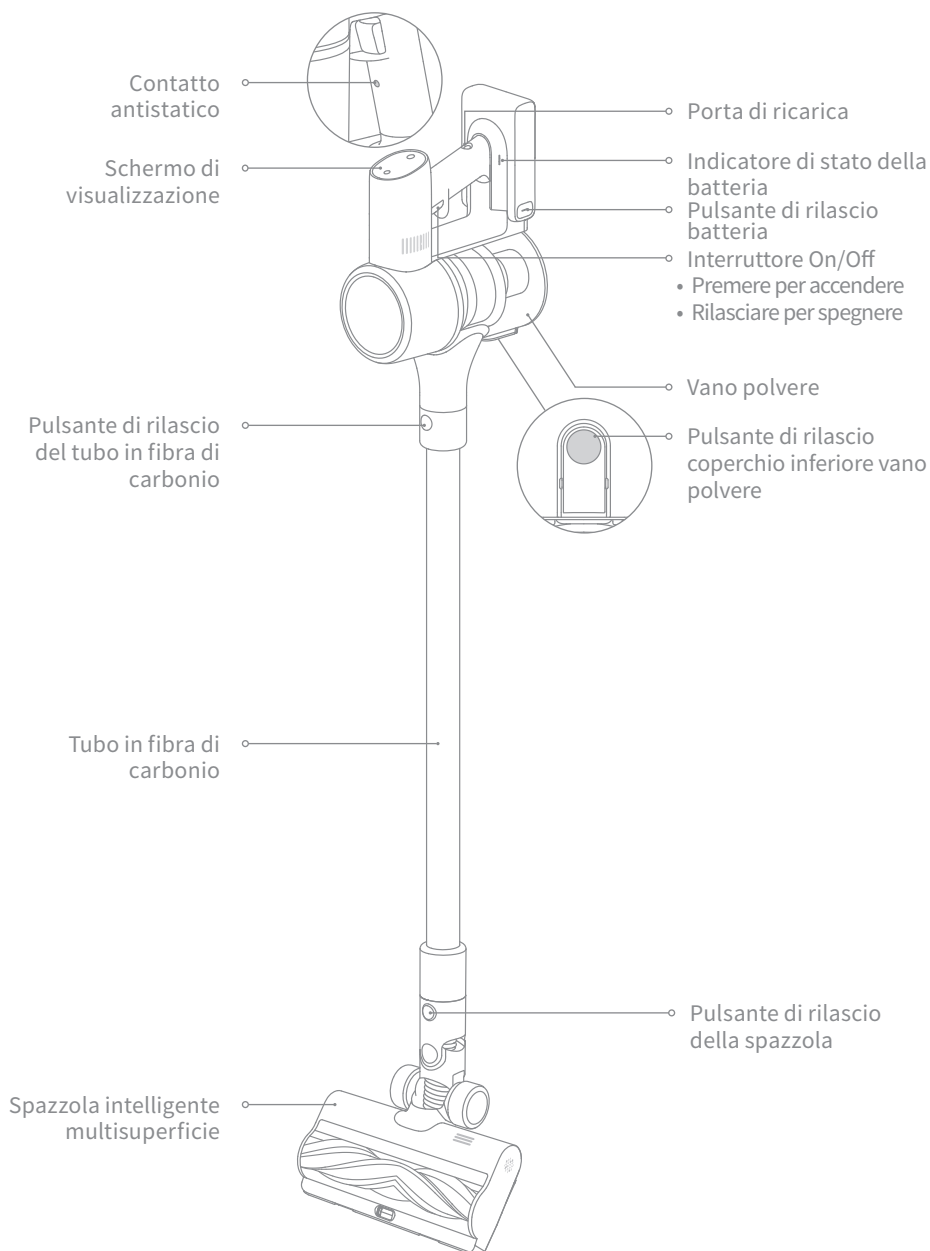
Supporto di ricarica e appoggio 2-in-1

(con 2 viti, 2 tasselli e adesivo del modello di montaggio)

Promemoria: La specifica è solo di riferimento, il reale aspetto si basa sull'oggetto.







# Panoramica del prodotto

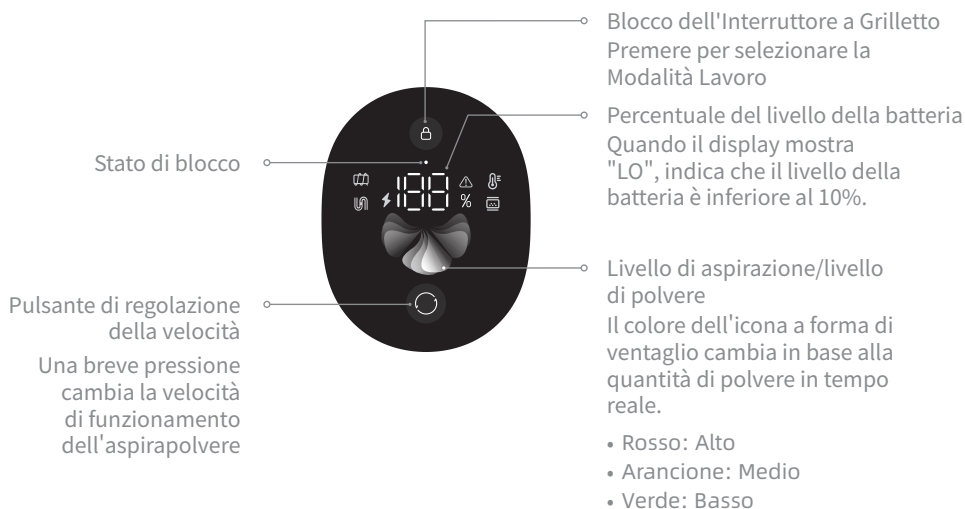
## Nome componente



# Panoramica del prodotto

## Introduzione alle funzioni dello schermo

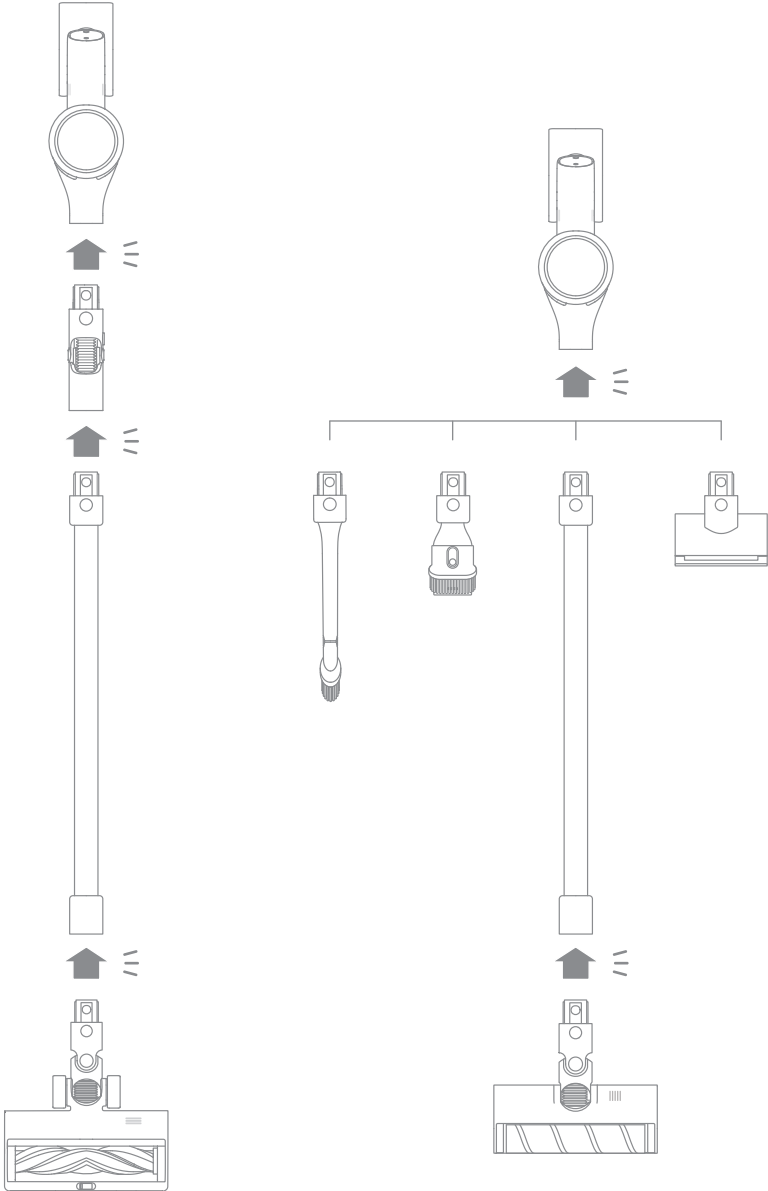
-  Avviso di temperatura elevata
-  La spazzola a rullo è bloccata
-  Condotto dell'aria bloccato
-  Errore
-  Filtro disinstallato/Il filtro sta scadendo
-  Indicatore di ricarica/livello della batteria basso
  - Rosso lampeggiante: livello della batteria  $\leq$  10%
  - Rosso lampeggiante lentamente: livello della batteria  $\leq$  10% (ricarica)
  - Verde lampeggiante lentamente: livello della batteria  $>$  10% (ricarica)



# IT Installazione

## Installazione degli accessori nell'aspirapolvere

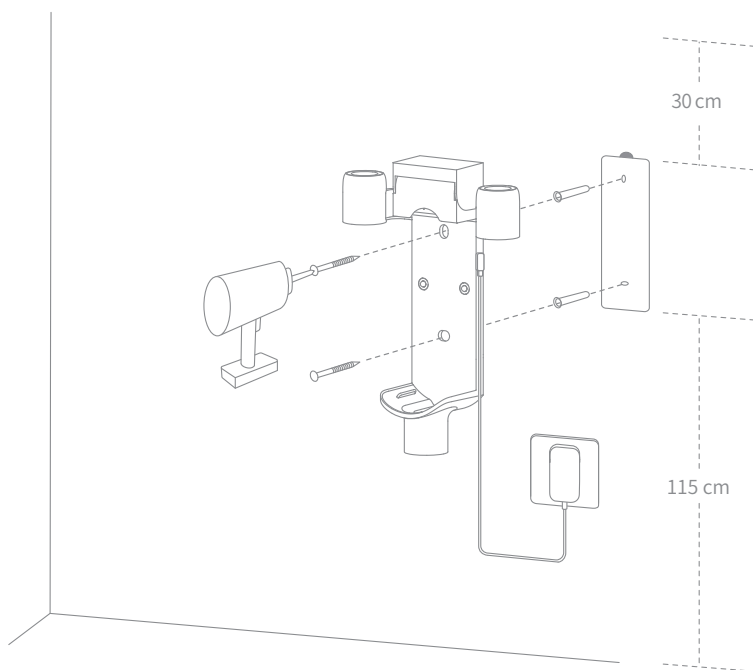
☰ Inserire fino a udire un clic che indica il posizionamento corretto



## Installazione del supporto di ricarica e appoggio 2-in-1

1. La parte inferiore dell'adesivo del modello di montaggio deve essere piana e distante almeno 115 cm da terra, mentre la parte superiore deve avere almeno 30 cm di spazio libero sopra di essa.
2. Utilizzare un trapano elettrico con una punta da 8 mm per praticare un foro su ciascun marcatore di foro sull'adesivo del modello di montaggio, quindi inserire un tassello in ciascun foro.
3. Allineare i fori di montaggio sul supporto di ricarica e appoggio 2-in-1 ai fori sulla parete, quindi fissare il supporto alla parete utilizzando le viti in dotazione.

(\*30cm: Lascia lo spazio per l'acquisto di una batteria di ricambio in futuro.)



### Nota:

- Il supporto di ricarica e appoggio 2-in-1 è un accessorio opzionale, che può essere installato in base alle proprie esigenze.
- Il supporto di ricarica e appoggio 2-in-1 deve essere installato in un luogo fresco e asciutto con una presa elettrica nelle vicinanze. Prima di installarlo, assicurarsi che non siano presenti fili o tubi nello spazio di installazione direttamente dietro al supporto.

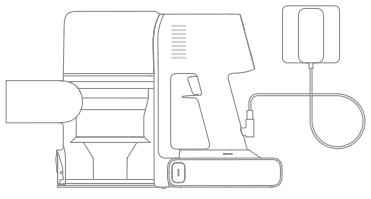
# Ricarica

## Nota:

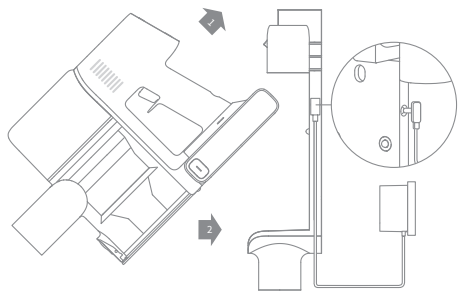
- Caricare completamente l'aspirapolvere prima di utilizzarlo per la prima volta.
- L'operazione richiede circa 4 ore.
- L'aspirazione in modalità turbo per un periodo prolungato determina il riscaldamento della batteria, con conseguente aumento del tempo di ricarica. Lasciare raffreddare l'aspirapolvere per 30 minuti prima di caricarlo.

## Modalità di ricarica

Ricarica dell'aspirapolvere con il caricabatterie



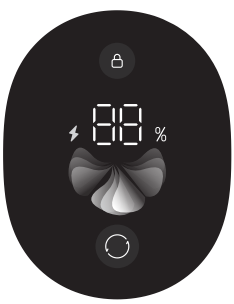
Ricarica dell'aspirapolvere sul supporto di ricarica



## Modalità di visualizzazione ricarica

### Schermo di visualizzazione

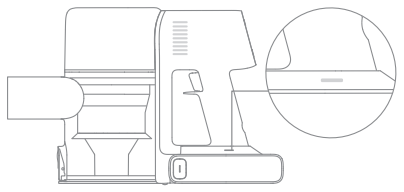
Il numero sullo schermo di visualizzazione indica il livello corrente della batteria in percentuale durante la ricarica. Quando il numero diventa 100, la batteria è completamente carica.



### Indicatore di stato della batteria

Quando ricarica, i tre indicatori lampeggiano e poi ritornano luminosi in sequenza costante a seconda della carica della batteria. Quando la ricarica è completa, i tre indicatori si illuminano con una luce fissa.

Nota: Quando l'aspirapolvere è completamente carico, l'indicatore si spegne dopo 5 minuti e viene attivata la modalità di risparmio energetico.





# Modalità d'utilizzo

## Modalità pulizia

Ci sono due modalità di lavoro per l'aspirapolvere, che possono essere selezionate a secondo delle proprie esigenze.

### Modalità 1: Modalità Pulizia Discontinua

Tenere premuto il tasto dell'aspirapolvere per avviare il lavoro, e rilasciarlo per arrestarlo immediatamente.



### Modalità 2: Modalità Pulizia Continua (Blocco dell'Interruttore a Grilletto)

Quando l'aspirapolvere è in funzione, fare clic sul tasto \* per passare alla modalità di lavoro continuo. A questo punto, rilasciare l'interruttore del dispositivo e continuerà a funzionare.

Usare il Blocco dell'Interruttore a Grilletto per non usare troppo le tue dita ed evitare un affaticamento causato tenendo premuto l'interruttore.



Nota:

- Durante il funzionamento in modalità di lavoro continuo, l'indicatore di blocco è sempre acceso.
- Premere il Blocco dell'Interruttore a Grilletto nuovamente per abbandonare la Modalità Pulizia Continua.

## Interruttore avviamento

Premere il pulsante  per commutare i livelli tra auto e turbo.

In Modalità Turbo, tutte le icone a forma di ventola si illuminano di bianco.

Solo in modalità automatica, il livello di aspirazione e il colore dell'icona a forma di ventaglio cambiano in base alla quantità di polvere aspirata.

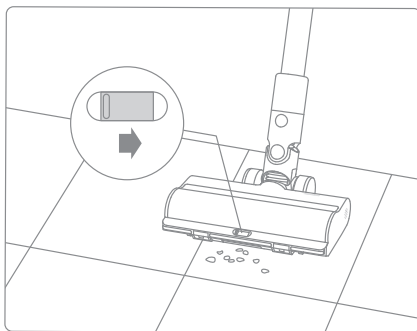
# Modalità d'utilizzo

## Uso degli accessori

### Spazzola intelligente multisuperficie

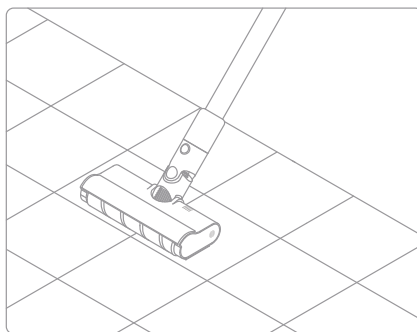
Nota:

- La spazzola intelligente multi-superficie può essere collegata direttamente all'aspirapolvere.
- Quando l'apparecchio si avvia, le luci davanti al rullo della spazzola si accenderanno automaticamente, che è comodo per l'uso.
- Adatto per la pulizia di tappeti a pelo medio e corto. Può essere utilizzato anche per la pulizia di piastrelle e pavimenti.
- Per aspirare particelle di grandi dimensioni attivando l'interruttore sulla spazzola, come chicchi di caffè, corn flakes e così via.



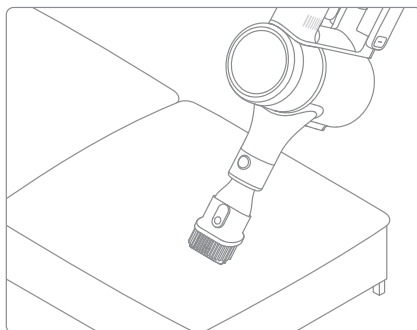
### Pennello a rullo morbido

Adatto per la pulizia di pavimenti duri come marmo e parquet.



### Strumento di Combinazione Ampia

Per aspirare tende, divani, interni di veicoli, tavolini da caffè e così via.

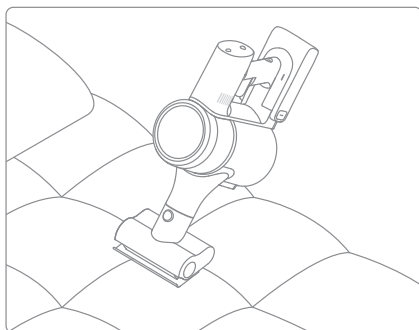


# Modalità d'utilizzo

## Minispazzola Motorizzata

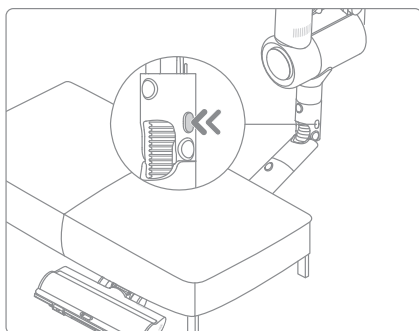
Per aspirare sporco, peli di animali domestici e altri residui ostinati da divani, biancheria da letto e altre superfici in tessuto.

Nota: Si raccomanda di non aspirare superfici facilmente impigliabili, come la seta.



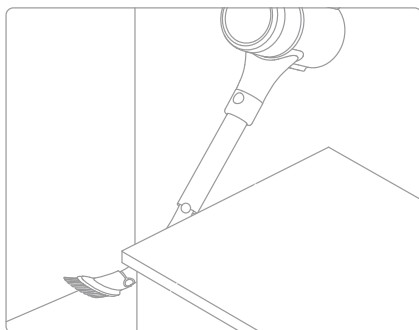
## Adattatore flessibile inferiore

Piegare e allungare l'asta con un clic può facilmente raggiungere i mobili bassi, come il letto e il divano.



## Strumento di Combinazione Flessibile

Spazzola-ugello pieghevole e retrattile, più flessibile per aspirare in spazi ristretti.



Nota:

- Se una delle parti rotanti si blocca, l'aspirapolvere potrebbe spegnersi automaticamente. Eliminare eventuali corpi estranei intrappolati, quindi riprendere l'uso.
- Quando il motore si surriscalda, l'aspirapolvere si spegne automaticamente. Attendere che la temperatura della batteria torni alla normalità, quindi riprendere l'utilizzo.

# Cura e manutenzione

## Precauzioni di manutenzione

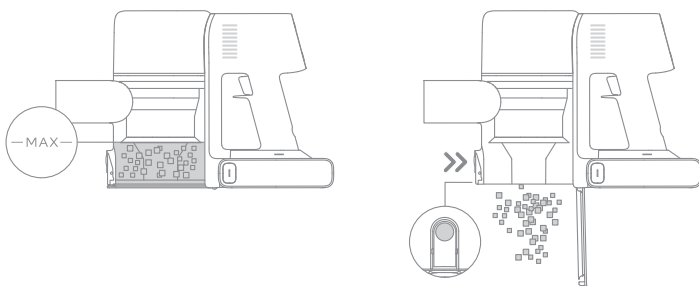
- Utilizzare sempre parti originali per evitare che la garanzia decada.
- Se il filtro o l'ugello si intasa, l'aspiratore smette di funzionare poco dopo l'accensione. Per ripristinare il normale funzionamento, pulire il filtro o l'ugello.
- Se l'aspirapolvere non viene utilizzato per un lungo periodo, ricaricarlo completamente, scollegarlo dalla presa di corrente, quindi conservarlo in un ambiente fresco e a bassa umidità, lontano dalla luce diretta del sole. Per evitare di scaricare eccessivamente la batteria, ricaricare l'aspirapolvere almeno una volta ogni tre mesi.

## Pulizia dell'aspirapolvere

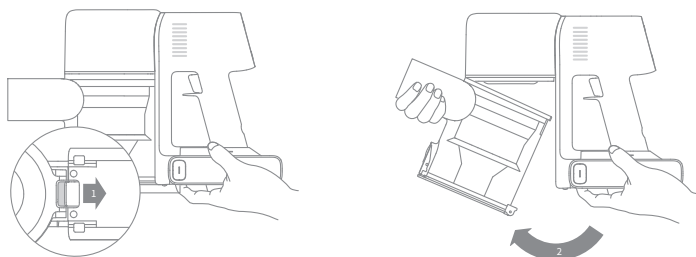
Pulire l'aspirapolvere con un panno morbido e asciutto.

## Pulizia del vano polvere, del pre-filtro e del sistema ciclonico

1. Premere il pulsante di rilascio del coperchio inferiore del vano polvere, quindi svuotare il contenuto.



2. Spingere l'interruttore di rilascio del vano polvere nella direzione indicata dalla freccia, quindi rimuovere delicatamente il vano polvere dall'aspirapolvere.

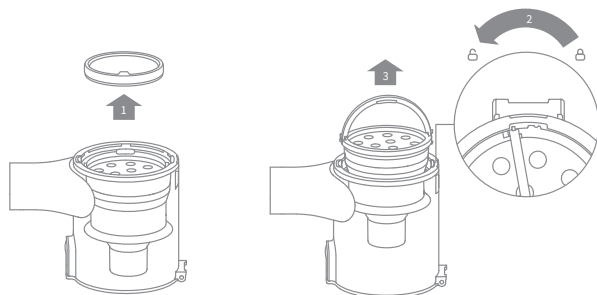


Nota:

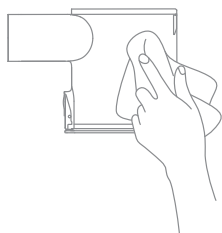
- La capacità di pulizia dell'aspirapolvere si riduce se il vano polvere si riempie fino al segno "MAX". Per ripristinare le prestazioni, svuotare il vano polvere tempestivamente.
- Prima di svuotare il vano, assicurarsi che l'aspirapolvere sia disconnesso dalla presa di corrente e non premere il pulsante di accensione.

# Cura e manutenzione

3. Rimuovere prima il pre-filtro, quindi sollevare l'impugnatura del sistema ciclonico e ruotarla in senso antiorario fino all'arresto, quindi tirare per sollevare il sistema ciclonico.

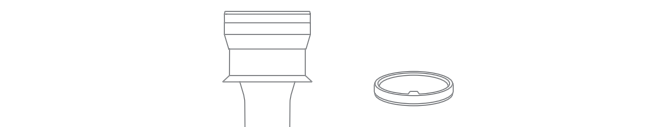
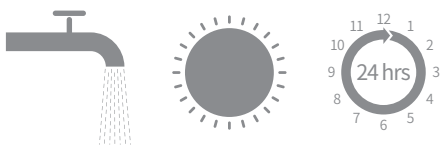


4. Pulisci il contenitore della polvere con un panno morbido e umido. Presta attenzione a strizzare il panno prima dell'uso.



Per ridurre il rischio di scosse elettriche, non sciacquare il raccogli-polvere con acqua.

5. Sciacquare il prefiltro e i componenti del sistema a ciclone con acqua pulita finché non sono puliti. Dopo il lavaggio, asciugarli all'aria per almeno 24 ore.



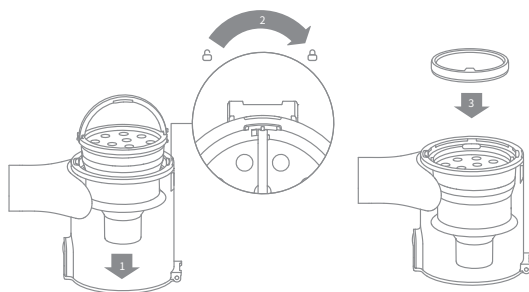
Sistema ciclonico    Pre-filtro

Nota: Si consiglia di pulire il prefiltro almeno una volta ogni 3 mesi e il sistema ciclonico almeno una volta ogni 6 mesi.

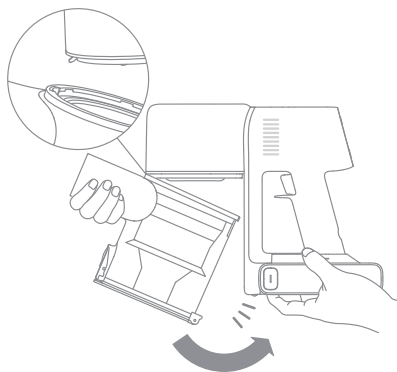
# Cura e manutenzione

## Installazione del vano polvere, del pre-filtro e del sistema ciclonico

1. Inserire il sistema ciclonico verticalmente nel vano polvere assicurandosi che l'impugnatura del sistema ciclonico sia allineata alla fessura sul lato sinistro del vano polvere. Ruotare l'impugnatura in senso orario finché non si blocca, quindi tirarla verso il basso.
2. Posizionare il pre-filtro con il lato anteriore rivolto verso il sistema ciclonico.



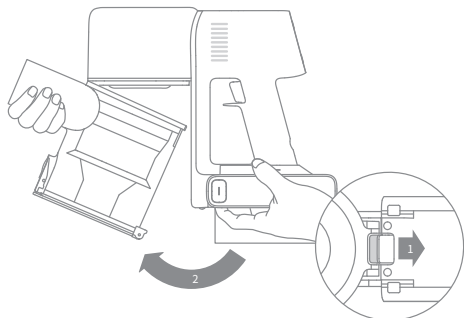
3. Inclinare leggermente il vano polvere in modo che il relativo alloggiamento risulti allineato al fermo dell'aspirapolvere. Quindi premere delicatamente il vano polvere finché non scatta in posizione.



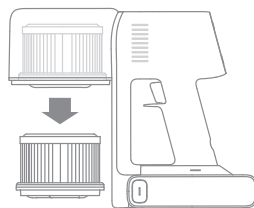
# Cura e manutenzione

## Pulizia del filtro

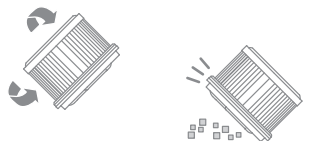
1. Rimuovere il vano polvere come mostrato nella figura.



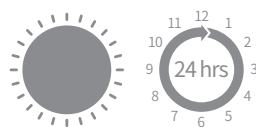
2. Rimuovere il filtro dall'aspirapolvere tirandolo verso il basso nella direzione mostrata nella figura.



3. Pulire il filtro con acqua pulita. Assicurarsi di ruotare il filtro di 360° per rimuovere accuratamente tutta la polvere intrappolata nel filtro. Picchiettare leggermente il filtro più volte per rimuovere lo sporco in eccesso.



4. Lasciare asciugare completamente il filtro per almeno 24 ore.



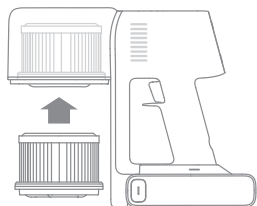
Nota:

- Si consiglia di pulire il filtro una volta ogni 4-6 mesi.
- Per pulire il filtro, utilizzare esclusivamente acqua pulita. Non utilizzare detersivi.
- Non tentare di pulire il filtro con una spazzola o con le dita.

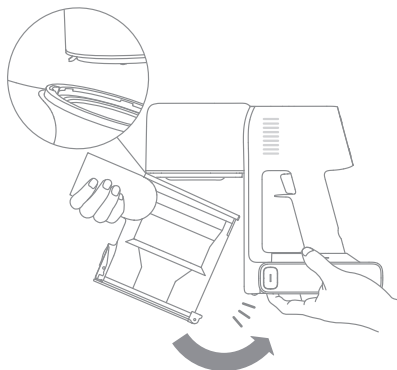
# Cura e manutenzione

## Installazione del filtro

1. Inserire il filtro nell'aspirapolvere, quindi premere delicatamente verso il basso, come illustrato.



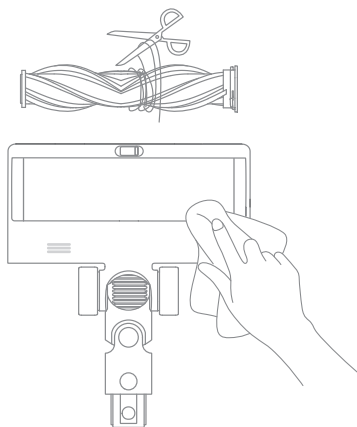
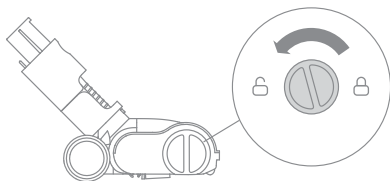
2. Reinstallare il vano polvere.



## Pulizia della spazzola intelligente multisuperficie

1. Ruota il blocco in senso antiorario fino all'arresto, quindi rimuovi il rullo dalla spazzola a rullo.

2. Usa le forbici per tagliare i capelli e le fibre che rimangono bloccati sul rullo della spazzola. Pulisci la polvere dalla tacca e dal coperchio trasparente con un panno asciutto o un tovagliolo di carta. Asciuga accuratamente prima dell'uso.



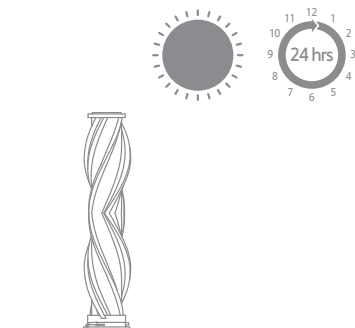


# Cura e manutenzione

3. Quando è sporco, sciacqua il rullo della spazzola con acqua pulita finché non è pulito.

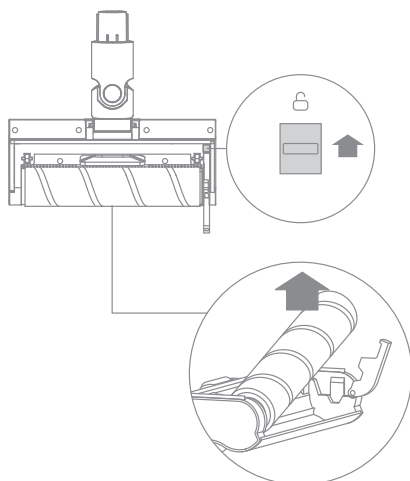


4. Tieni il rullo della spazzola in posizione verticale per almeno 24 ore finché non è completamente asciutto.

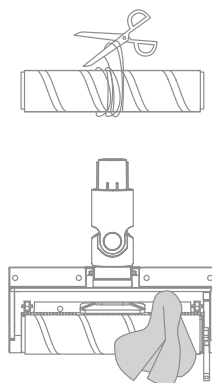


## Pulizia della spazzola a rullo morbido

1. Come mostrato nell'immagine, premere il pulsante di rilascio della spazzola a rullo per rimuovere il rullo dalla fessura.

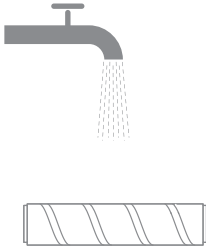


2. Tagliare con le forbici i peli e le fibre che si attaccano al rullo della spazzola e alle ruote. Pulire la polvere dalla tacca e dal coperchio trasparente con un panno asciutto o un tovagliolo di carta. Asciugare accuratamente prima dell'uso.

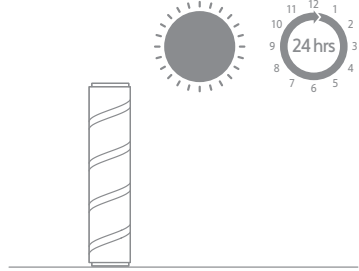


# Cura e manutenzione

3. Quando è sporco, sciacqua il rullo della spazzola con acqua pulita finché non è pulito.

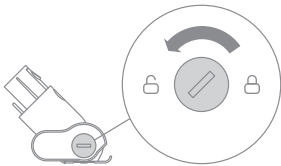


4. Tieni il rullo della spazzola in posizione verticale per almeno 24 ore finché non è completamente asciutto.

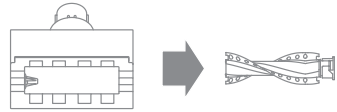


## Pulizia della mini spazzola motorizzata

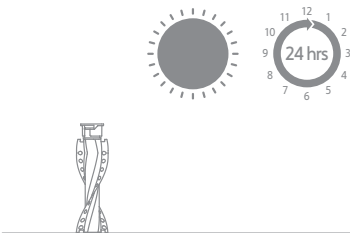
1. Usare una moneta per ruotare il blocco in senso antiorario finché non si sente un clic.



2. Dopo aver sbloccato la minispazzola motorizzata, rimuovi il rullo della spazzola, quindi risciacqualo e puliscilo.



3. Tieni il rullo della spazzola in posizione verticale in un'area ben ventilata per almeno 24 ore fino a quando non è completamente asciutto.



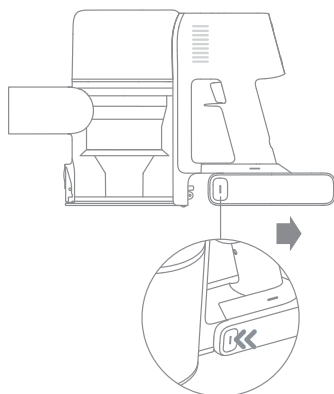
4. Una volta che il rullo della spazzola è asciutto, reinstallalo seguendo i passi di smontaggio al contrario.



## Batteria

L'aspirapolvere contiene una batteria ricaricabile agli ioni di litio rimovibile che dispone di un numero limitato di cicli di ricarica. Dopo un uso prolungato, la batteria potrebbe non mantenere più la carica. Se ciò si verifica, la batteria ha raggiunto la fine del ciclo di vita e deve essere sostituita.

1. Premere il pulsante di rilascio della batteria e farla scorrere verso destra per rimuoverla.
2. Installare la nuova batteria.



# Specifiche tecniche

<b>Aspirapolvere</b>			
Modello	VTV97A	Tensione di ricarica	34 V ===
Potenza nominale	570 W	Tensione nominale	29,6 V ===
Tempo di ricarica	Circa 4 ore		
<b>Spazzola intelligente multisuperficie</b>			
Modello	VMB9		
Potenza nominale	40 W	Tensione nominale	25,2 V ===
<b>Pennello a rullo morbido</b>			
Modello	ASF4		
Potenza nominale	40 W	Tensione nominale	25,2 V ===
<b>Minispazzola motorizzata</b>			
Modello	VMM4		
Potenza nominale	20 W	Tensione nominale	25,2 V ===
<b>Caricabatterie</b>			
Modello	ZD024M340090EU	Efficienza attiva media	87,01%
Potenza in ingresso	100 - 240 V ~ 50-60 Hz, 0,8 A max	Efficienza a Basso Carico (10%)	77,01%
Potenza in uscita	34 V === 0,9 A	Consumo di Energia senza Carico	0,1 W
<b>Batteria agli ioni di litio ricaricabile</b>			
Modello batteria	P2033-851P-GYA		
Tensione nominale	29,6 V ===	Capacità nominale	2900 mAh
Energia	81,4 Wh	Capacità effettiva	2750 mAh

La batteria agli ioni di litio contiene sostanze pericolose per l'ambiente. Prima di gettare via l'aspirapolvere, rimuovere la batteria, quindi smaltirlo o riciclarlo in conformità alle leggi e alle normative locali del Paese o dell'area in cui viene utilizzato.






# Domande Frequenti

Se l'aspirapolvere non funziona correttamente, fare riferimento alla tabella di risoluzione dei problemi riportata di seguito.

Errore	Possibile causa	Soluzione
L'aspirapolvere non funziona.	La batteria è completamente o quasi scarica.	Caricare completamente l'aspirapolvere, quindi riprendere l'uso.
	Entra in modalità di protezione da surriscaldamento attivata da un'ostruzione.	Attendere che l'aspirapolvere si raffreddi, quindi riattivarlo.
	La bocchetta di aspirazione o il passaggio dell'aria è ostruito.	Rimuovere le ostruzioni dalla bocchetta di aspirazione o dal passaggio dell'aria.
La potenza di aspirazione è diminuita.	Il vano polvere è pieno e/o il filtro è intasato.	Svuotare lo scomparto raccogli polvere e pulire il filtro.
	L'accessorio è ostruito.	Eliminare eventuali ostruzioni nell'accessorio.
Il motore emette un rumore strano.	L'apertura di aspirazione principale o l'asta in fibra di carbonio è bloccata.	Eliminare eventuali blocchi nell'apertura di aspirazione principale o nell'asta in fibra di carbonio.
La prima spia è rossa dopo l'accensione dell'aspirapolvere.	La batteria è danneggiata.	Contattare il servizio di assistenza post-vendita per la manutenzione.
La prima spia lampeggia in rosso durante la ricarica dell'aspirapolvere.	Il caricabatterie non è compatibile.	Per ricaricare l'aspirapolvere, utilizzare esclusivamente il caricabatterie originale.
La spia della batteria non si accende durante la ricarica.	Il caricabatterie non è collegato all'aspirapolvere.	Assicurarsi che il caricabatterie sia collegato correttamente.
	La batteria è completamente carica e si è avviata la modalità di risparmio energia.	È possibile utilizzare l'aspirapolvere normalmente.
	Se il problema persiste anche dopo aver escluso le due ipotesi indicate in precedenza, contattare il servizio post-vendita per ottenere assistenza.	
La batteria si ricarica lentamente.	La temperatura della batteria è troppo bassa o troppo alta.	Attendere che la temperatura della batteria torni alla normalità, quindi riprendere l'utilizzo.
Le luci LED della spazzola intelligente multisuperficie non funzionano.	Le luci a LED sono danneggiate.	Contattare il servizio post-vendita per ottenere assistenza.

# Suggerimento Guasto

In presenza di una situazione abnormale durante l'uso del dispositivo, lo schermo visualizzerà un messaggio rapido. Si devono seguire le indicazioni sullo schermo per mantenere le funzionalità invariate.

Icona errore	Stato	Messaggio di errore	Soluzioni
	Rosso lampeggiante	Avviso di temperatura elevata	Prima di riprendere l'utilizzo, attendere che la temperatura della batteria torni alla normalità.
	Arancione lampeggiante	La spazzola a rullo è bloccata	Consultare la sezione della guida alla manutenzione [Pulizia della spazzola intelligente multisuperficie] per pulire il materiale in fibra e i peli avvolti intorno al rullo della spazzola.
	Arancione lampeggiante	Condotto dell'aria bloccato	Controllare se il contenitore della polvere, l'asta in fibra di carbonio e la spazzola intelligente multisuperficie sono bloccati.
	Arancione lampeggiante	Il filtro sta scadendo	Si prega di sostituire il filtro quanto prima. Dopo aver sostituito il filtro, tenere premuto il pulsante di blocco per 3 secondi per ripristinare il filtro.
	Arancione fisso	Filtro disinstallato	Asegúrese de que el filtro y el prefiltro están bien instalados.
	Rosso fisso	Errore	Contattare il servizio di assistenza post-vendita per la manutenzione.
Se sul display compare uno dei codici di errore da E0 a E4, contattare il servizio di assistenza per la riparazione.			

## Informazioni RAEE



Tutti i prodotti contrassegnati da questo simbolo sono rifiuti di apparecchiature elettriche ed elettroniche (RAEE in base alla direttiva 2012/19/UE) che non devono essere smaltiti assieme a rifiuti domestici non differenziati. Al contrario, è necessario proteggere l'ambiente e la salute umana consegnando i rifiuti a un punto di raccolta autorizzato al riciclaggio di rifiuti di apparecchiature elettriche ed elettroniche, predisposto dalla pubblica amministrazione o dalle autorità locali. Lo smaltimento e il riciclaggio corretti aiutano a prevenire conseguenze potenzialmente negative all'ambiente e alla salute umana. Contattare l'installatore o le autorità locali per ulteriori informazioni sulla sede e per i termini e le condizioni di tali punti di raccolta.

Scatola	Manuale	Borsa	Pellicola	Adesivo	Maniglia	Etichetta
PAP 20	PAP 22	CPE 7	PET 1	PP5	PP5	PAP 21
Carta	Carta	Plastica				Carta
<b>RACCOLTA DIFFERENZIATA</b>						
Verifica le disposizioni del tuo Comune. Separa le componenti e conferiscile in modo corretto.						

# Instrucciones de seguridad importantes

Antes de utilizar este electrodoméstico, lea todas las instrucciones y etiquetas de advertencia incluidas en este manual y en la Máquina, para evitar descargas eléctricas, incendios y otras lesiones accidentales causadas por el uso incorrecto.

## Advertencia

- Este aparato no puede ser utilizado por personas con limitaciones físicas, sensoriales o mentales, o sin experiencia y conocimiento (niños incluidos), a menos que sean supervisados y reciban instrucciones sobre el uso seguro de la máquina por parte de un adulto responsable de su seguridad y entiendan los riesgos que implicados.
- No permita que la máquina se utilice como un juguete, se debe vigilar a los niños para asegurarse de que no juegan con la máquina. Preste mucha atención si es utilizada cerca o por niños o se utiliza cerca de ellos. Se prohíbe que los niños realicen la limpieza y el mantenimiento de la máquina sin supervisión.
- Esta máquina está diseñada para uso doméstico exclusivamente. No la utilice en el exterior ni sobre superficies mojadas. No manipule ningún componente ni el enchufe con las manos mojadas.
- Revise la batería de litio y el cargador antes de usarlos. Para evitar incendios, explosiones o lesiones, no use la aspiradora cuando la batería de litio o el cargador estén dañados.
- El cepillo multisuperficies inteligente, el minicepillo eléctrico, la batería, la varilla de fibra de carbono y la aspiradora son conductores de electricidad y no se deben sumergir en agua u otro líquido. Asegúrese de secar todos los filtros después de limpiarlos.
- Para evitar lesiones causadas por piezas móviles, apague la aspiradora antes de limpiar el cepillo multisuperficies inteligente. El cepillo multisuperficies inteligente, el recipiente para polvo y el filtro deben instalarse correctamente antes de utilizar la aspiradora.
- Use solo el cargador original, no use un adaptador no oficial, ya que otro tipo de cargador puede provocar que la batería de litio se incendie.
- No utilice la aspiradora para recoger agua, ni para aspirar gasolina u otros líquidos inflamables o explosivos. No recoja líquido tóxico como cloro, amoníaco, limpiadores de alcantarillas u otros líquidos.
- Está prohibido usar esta aspiradora para limpiar polvo sobre paneles de yeso, cenizas de chimenea y ceniza, no aspire nada que esté en llamas o desprenda humo como, por ejemplo, carbón, cigarrillos, cerillas o cenizas incandescentes. Está prohibido usar la aspiradora para limpiar objetos afilados como vidrio, clavos, tornillos, monedas, de lo contrario, dañará la aspiradora.
- No utilice el aspirador para recoger objetos afilados o duros, como vidrio, clavos, tornillos o monedas, que puedan dañar la máquina.
- Evite que el pelo, la ropa, los dedos o cualquier otra parte del cuerpo entre en contacto con las aberturas o las piezas móviles. No apunte con la manguera, la empuñadura o los accesorios a los ojos u orejas, ni se los meta en la boca.



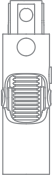
- No introduzca ningún objeto en las aberturas de la máquina. No utilice la máquina si alguna abertura está bloqueada; manténgalo limpio de polvo, pelusa, pelo o cualquier otra sustancia que pueda reducir el flujo de aire.
- No coloque la aspiradora sobre la silla, la mesa del comedor y otras superficies inestables para evitar daños a la aspiradora o daños al usuario. No utilice la máquina si no funciona correctamente, ha recibido un golpe, se ha caído o ha sufrido daños. Póngase en contacto con el servicio de Atención al Cliente de Dreame, no desmonte la máquina.
- Cargue la batería siguiendo estrictamente las instrucciones del manual. Si no se carga adecuadamente dentro del rango de temperatura especificado, la batería puede dañarse.
- Utilice únicamente accesorios y repuestos recomendados por el fabricante.
- Desconecte el cargador cuando no se utilice durante períodos prolongados y antes de realizar labores de mantenimiento.
- Preste atención mientras limpia en escaleras.
- No instale, cargue ni use este aparato en el exterior, en el baño o alrededor de la piscina.
- Alerta de incendio, no aplique ninguna fragancia o producto perfumado al filtro de este aparato. Las sustancias químicas en este tipo de productos son conocidas por ser inflamables y pueden causar que el aparato se incendie.
- Utilice únicamente el cargador original (modelo ZD024M340090EU). No hacerlo, podría provocar que la batería de ion de litio se incendie.
- Utilice únicamente el tipo de batería aprobado (modelo P2033-8S1P-GYA). No hacerlo, podría provocar que la batería de ion de litio se incendie.
- Si se produce una fuga en la batería, asegúrate de que no hay nadie cerca hasta que las baterías se enfríen y los humos se disipen.
- Ventila la zona todo lo posible para eliminar los gases perjudiciales y evita el contacto con los ojos y la inhalación de vapores.
- Limpia el líquido derramado con un producto absorbente e incinera los residuos.
- No lo use ni almacene en ambientes extremadamente calientes o fríos (por debajo de 0°C / 32°F o por encima de 40°C / 104°F). Utilice el adaptador de alimentación original para cargar el robot a una temperatura de 0°C a 40°C.
- Lea y guarde estas instrucciones.

Nosotros, Dreame Trading (Tianjin) Co., Ltd., por la presente, declaramos que el equipo cumple con las Directivas y Normas Europeas aplicables y las enmiendas. Encontrará el texto completo de la declaración de conformidad de la UE en esta dirección de Internet: <https://global.dreametech.com>

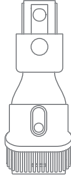
Para un manual electrónico detallado, vaya a <https://global.dreametech.com/pages/user-manuals-and-faqs>

# Descripción del producto

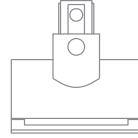
## Lista de accesorios



Adaptador flexible



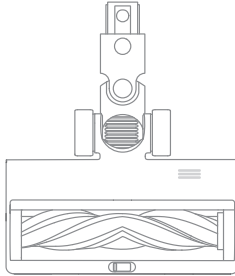
Herramienta de combinación ancha



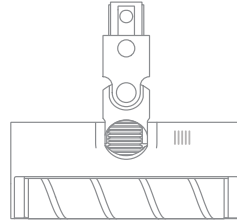
Mini-cepillo motorizado



Varilla de fibra de carbono



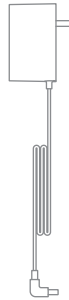
Cepillo multisuperficie inteligente



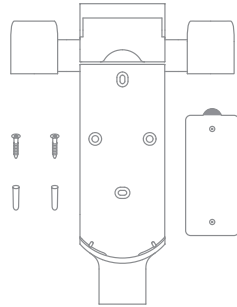
Cepillo de rodillo suave



Herramienta de combinación flexible



Cargador

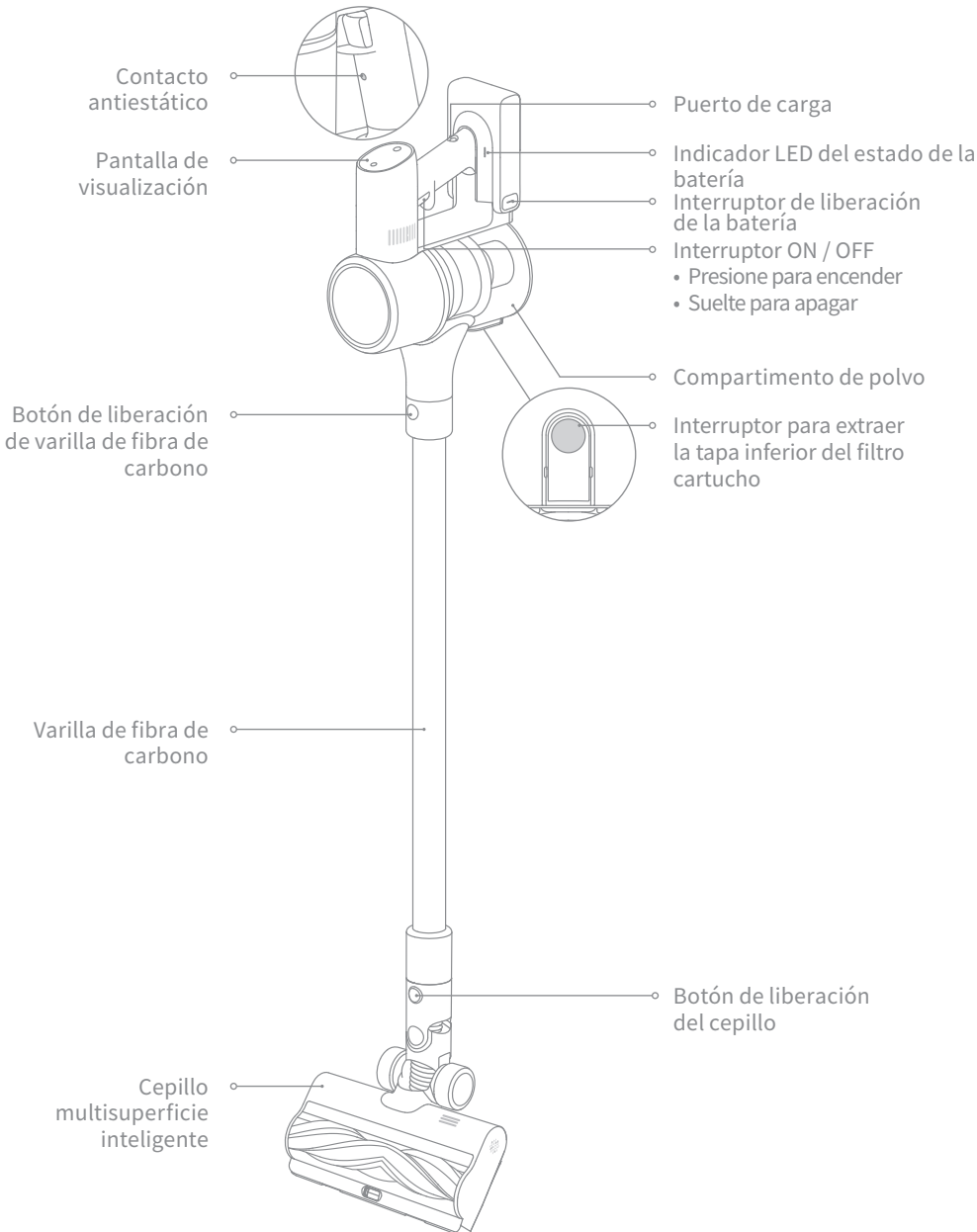


Soporte de carga y almacenamiento 2 en 1 (incluye 2 tornillos, 2 tacos y una plantilla de montaje adhesiva)

Nota: La imagen es solo de referencia, el objeto real no necesariamente se relaciona con la imagen.







# Descripción del producto

## Nombre del componente



# Descripción del producto

## Indicaciones de las funciones de pantalla

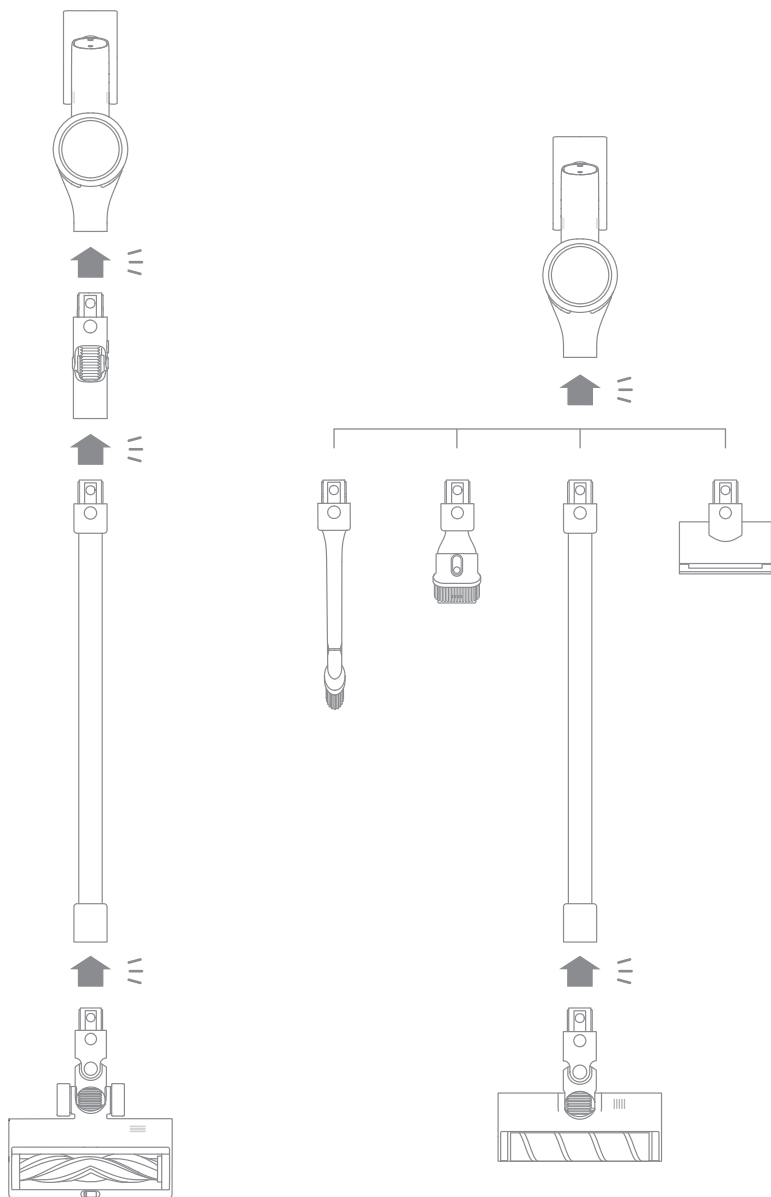
-  Alerta de alta temperatura
-  El rodillo está atascado
-  Conducto de aire bloqueado
-  Error
-  Filtro no instalado/Filtro a punto de expirar
-  Indicador de carga/nivel de batería bajo
  - Parpadeo rojo: Nivel de batería  $\leq$  10%
  - Rojo pulsante: Nivel de batería  $\leq$  10% (cargando)
  - Verde pulsante: Nivel de batería  $>$  10% (cargando)



# Montaje

## Instalar los accesorios en la aspiradora

☰ Insértelo hasta que encaje en su sitio.

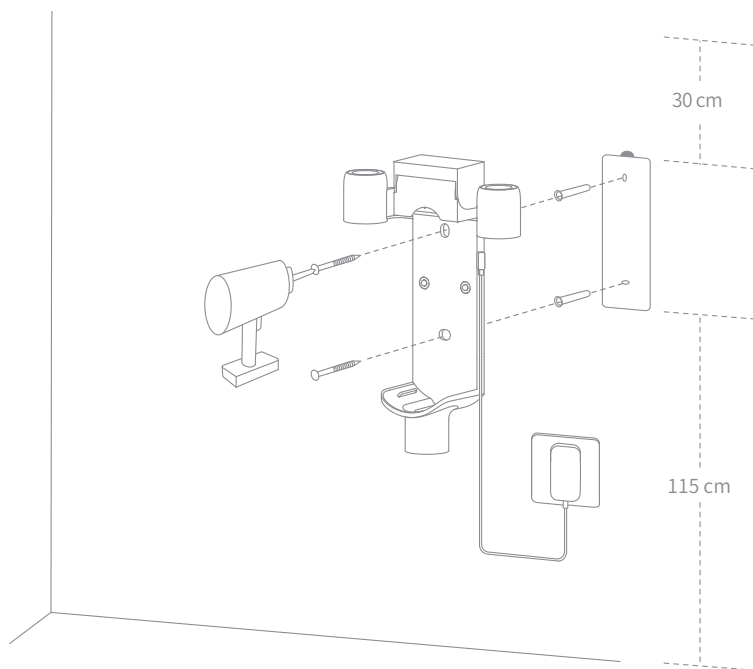


# Montaje

## Montar el soporte de carga y almacenamiento (2 en 1)

1. La parte inferior de la pegatina de la plantilla de montaje debe estar nivelada y, al menos, a 115 cm del suelo. La parte superior debe tener al menos un espacio de 30 cm sobre ella.
2. Utilice un taladro eléctrico con una broca de 8 mm para hacer un orificio en cada marcador de la pegatina de la plantilla de montaje y, a continuación, inserte un taco en cada orificio.
3. Alinee los orificios de montaje del soporte de carga y almacenamiento 2 en 1 con los orificios de la pared y, a continuación, fije el soporte a la pared con los tornillos incluidos.

(\*30cm: deje espacio para baterías de reemplazo en el futuro).



### Nota:

- El soporte de carga y almacenamiento (2 en 1) es un accesorio opcional, puede montarlo según sus necesidades.
- Nota: El soporte de carga y almacenamiento (2 en 1) debe ser instalado en un lugar fresco y seco, con un enchufe cercano. Antes de instalarlo, asegúrese de que no haya ningún otro objeto donde se montaría el soporte.

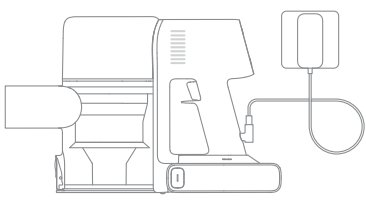
# Carga

Nota:

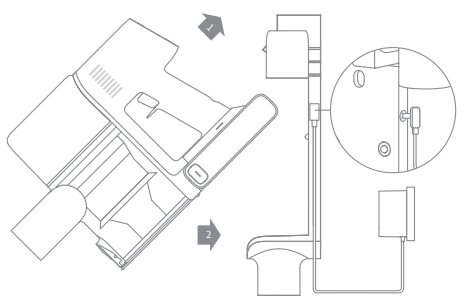
- Cargue completamente la aspiradora antes de usarla por primera vez.
- Esto puede tardar unas 4 horas.
- Si se aspira en modo turbo durante un período prolongado, la batería se calentará. Se recomienda dejar que el aspirador se enfríe durante 30 minutos antes de cargarlo de nuevo.

## Modos de carga

Cargar la aspiradora con el cargador



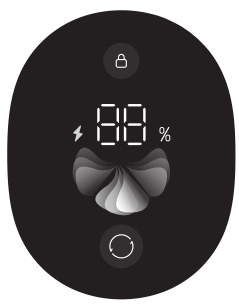
Cargar la aspiradora en el soporte de carga



## Visualización de modos de potencia

Pantalla de visualización

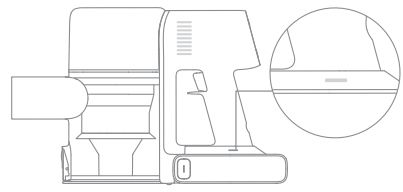
El número de la pantalla representa el nivel de batería actual en porcentaje durante la carga. Cuando llegue a 100, la batería estará totalmente cargada.



Indicador LED del estado de la batería

Durante la carga, los tres indicadores parpadean y luego permanecen encendidos en secuencia teniendo en cuenta el estado de la batería. Cuando se completa la carga, los tres indicadores permanecen encendidos.

Nota: Una vez que el aspirador esté completamente cargado, el indicador se apagará 5 minutos más tarde y el aspirador entrará en el modo de ahorro de energía.



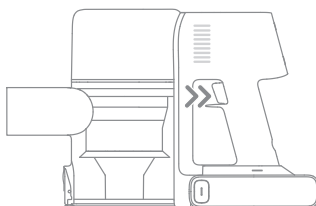
# Modo de Uso

## Modo de limpieza

El aspirador incluye dos modos de trabajo que se pueden seleccionar según sus necesidades de limpieza.

### Modo 1: Modo de limpieza discontinua

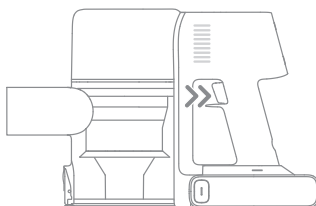
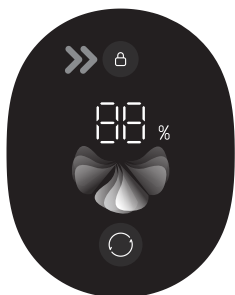
Mantenga pulsado el interruptor de la aspiradora para comenzar a funcionar y suéltelo para que se detenga.



### Modo 2: Modo de limpieza continua (Bloqueo del Interruptor )

Cuando la aspiradora está trabajando, apresione el botón \* para cambiar al modo de limpieza continua. Luego puede soltar el interruptor principal, y la aspiradora seguirá trabajando.

Use la función de Bloqueo del Interruptor para liberar sus dedos y evitar el cansancio causado por mantener pulsado el interruptor.



Nota:

- En este modo, la luz del indicador de bloqueo se mantiene encendida.
- Vuelva a pulsar el Bloqueo del Interruptor para salir del modo de limpieza continua.

## Cambio de velocidad

Pulse el botón  para cambiar los niveles entre auto y turbo.

Cuando está en modo Turbo, todos los símbolos en forma de ventilador se iluminan en blanco.

Solo en el modo Auto, el nivel de aspiración y el color del símbolo en forma de ventilador cambian según la cantidad de polvo inhalado.

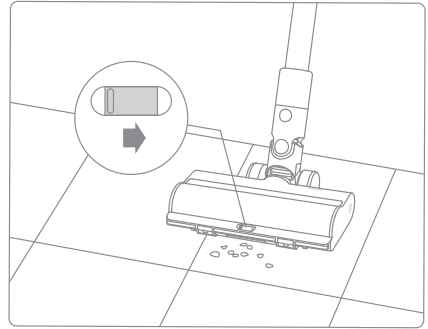


## Uso de los diferentes accesorios

### Cepillo multisuperficie inteligente

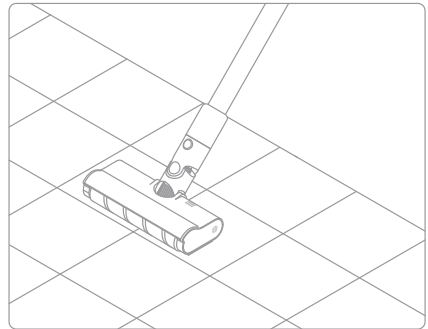
Nota:

- El cepillo multisuperficie inteligente puede acoplarse directamente a la aspiradora.
  - Cuando el aparato se inicia, las luces en frente del cepillo del rodillo se encenderán automáticamente, lo cual es conveniente para su uso.
- Apta para limpiar alfombras de pelo mediano/corto, azulejos y pisos en general
- Active el interruptor del cepillo para aspirar partículas grandes como granos de café, cereales, etc.



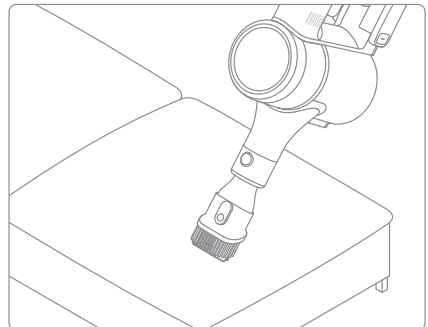
### Cepillo de rodillo suave

Adecuado para suelos duros como el mármol y azulejos.



### Herramienta de combinación ancha

Para aspirar cortinas, sofás, teclados, techos, interiores de vehículos, mesas de café, etc.

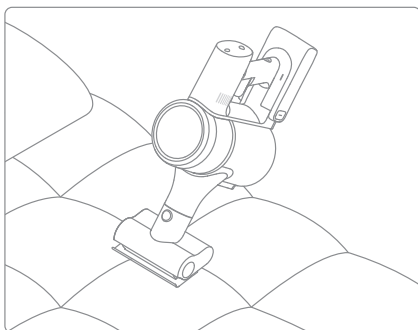


# Modo de Uso

## Mini-cepillo motorizado

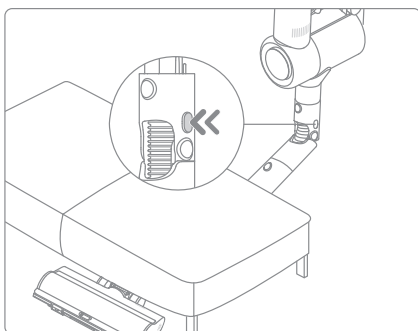
Para aspirar la suciedad, los pelos de mascota y otros restos resistentes de los sofás, la ropa de cama y otras superficies de tela.

Nota: No se recomienda pasar la aspiradora por superficies que puedan engancharse, como la seda.



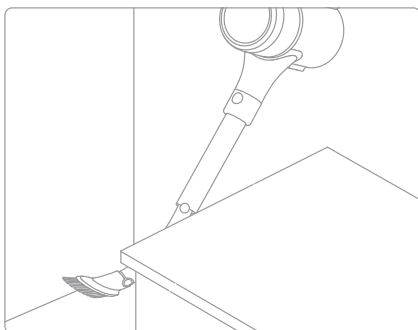
## Adaptador flexible

Doble la varilla con un clic para alcanzar fácilmente a debajo de muebles como cama y sofá.



## Herramienta de combinación flexible

Cepillo-boquilla plegable y retráctil, más flexible para aspirar grietas estrechas.



### Nota:

- Si alguna pieza giratoria se queda atascada, la aspiradora podría apagarse de forma automática. Extraiga los objetos extraños que se hayan quedado atascados y reanude el uso.
- Si el motor funciona a temperaturas demasiado elevadas, la aspiradora se apagará automáticamente. Espere a que la temperatura de la batería vuelva a ser normal y, a continuación, reanude el uso.

## Advertencia

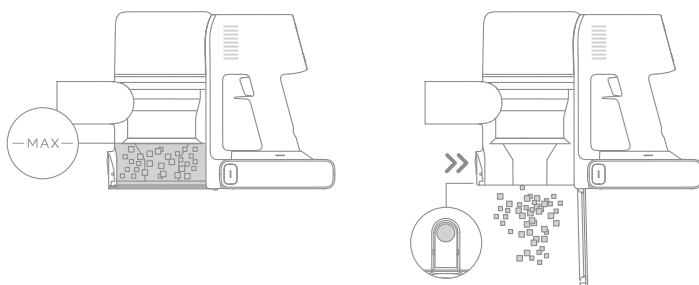
- Utilice siempre piezas originales para evitar que se anule la garantía.
- Si el filtro o la boquilla se obstruye, el aspirador dejará de funcionar poco después de encenderse. Para restaurar la funcionalidad, limpie el filtro o la boquilla.
- Si no va a utilizar la aspiradora durante un largo periodo de tiempo, cárguela completamente, desenchúfela de la corriente y guárdela en un lugar fresco, seco y protegida de la luz solar. Para evitar que la batería se descargue en exceso, recargue la aspiradora al menos una vez cada tres meses.

## Limpieza de la aspiradora

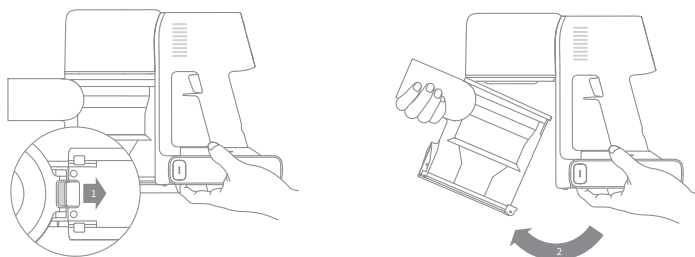
Limpie la aspiradora con un paño seco y suave.

## Limpieza del compartimento para el polvo, el prefiltro y el separador ciclónico

1. Pulse el interruptor para extraer la tapa inferior del compartimento de polvo y vacíe el contenido.



2. Mueva el interruptor de liberación del compartimento para el polvo en la dirección indicada por la flecha y retire suavemente el compartimento de polvo de la aspiradora.

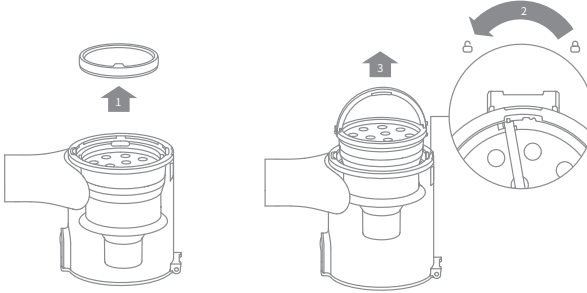


Nota:

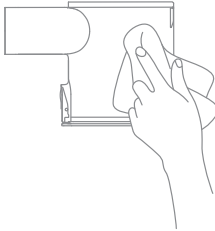
- La capacidad de limpieza de la aspiradora se verá reducida en caso de que el compartimento para el polvo esté lleno y alcance la marca de "MAX". Para que recupere su rendimiento, vacíe el compartimento para el polvo de manera oportuna.
- Antes de vaciar el compartimento, asegúrese de que la aspiradora está desconectada de la corriente y no pulse el interruptor de encendido.

# Cuidado y mantenimiento

3. Quite primero el prefiltro, luego levante el mango del ciclón y gire en sentido contrario a las agujas del reloj hasta que se detenga, por último, tire para sacar el separador ciclónico.

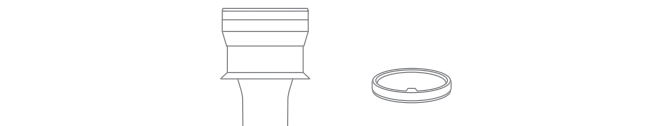


4. Limpie el depósito de polvo con un paño húmedo suave. Acuérdesse de escurrir el paño antes de utilizarlo.



Para reducir el riesgo de descarga eléctrica, no enjuague el depósito de polvo con agua.

5. Enjuague el prefiltro y el separador ciclónico hasta que estén limpios. Después del lavado, séquelos al aire por al menos 24 horas.



Separador  
ciclónico

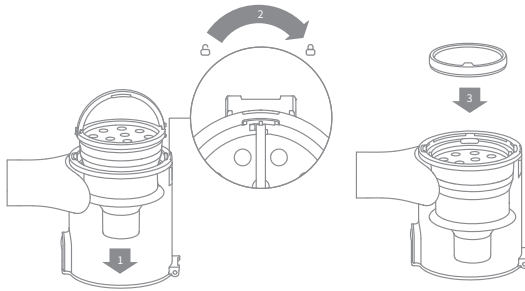
Prefiltro

Nota: Se recomienda limpiar el prefiltro, como mínimo, una vez cada 3 meses y el sistema ciclónico una vez cada 6 meses.

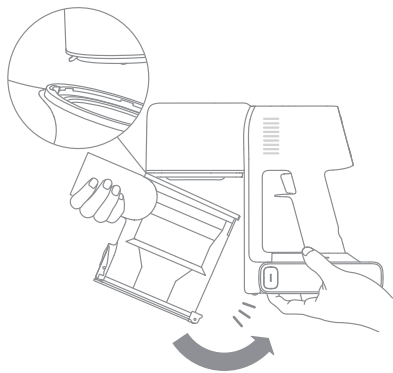
# Cuidado y mantenimiento

## Instalación del compartimento para el polvo, el prefiltro y el separador ciclónico.

1. Inserte verticalmente el ciclón en el compartimento de polvo y asegúrese de que el mango está alineado con la ranura del lado izquierdo del compartimento de polvo. Gire el mango en el sentido de las agujas del reloj hasta que esté fijo. Luego baje el mango.
2. Coloque el prefiltro dentro del separador ciclónico, con la parte frontal mirando hacia arriba.



3. Incline ligeramente el compartimento de polvo para que sus ranuras queden alineadas con la pestaña de la aspiradora. Luego presione suavemente sobre el compartimento de polvo hasta que encaje en su sitio.

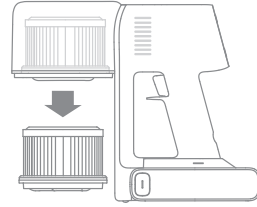
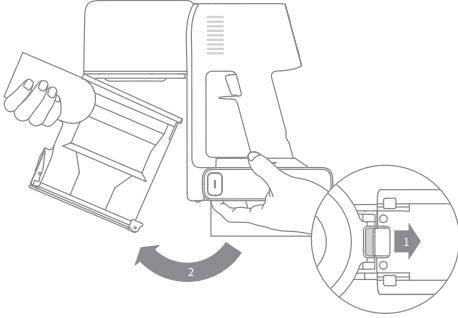


# Cuidado y mantenimiento

## Limpeza del filtro

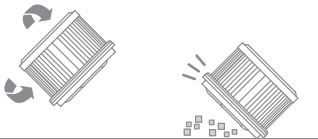
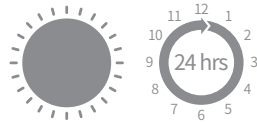
1. Extraiga el compartimento del polvo como se indica en la imagen.

2. Extraiga el filtro de la aspiradora tirando hacia abajo, en la dirección que se muestra en la imagen.



3. Limpie el filtro con agua limpia. Asegúrese de girar el filtro 360° para quitar toda la suciedad del filtro. Golpee suavemente el filtro varias veces para extraer cualquier exceso de suciedad.

4. Deje secar el filtro durante, al menos, 24 horas.



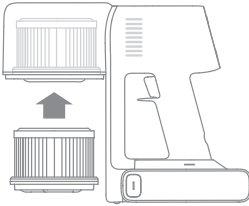
### Nota:

- Se recomienda limpiar el filtro una vez cada 4 o 6 meses.
- Utilice únicamente agua limpia para limpiar el filtro. No utilice detergentes.
- No intente limpiar el filtro con un cepillo ni con los dedos.

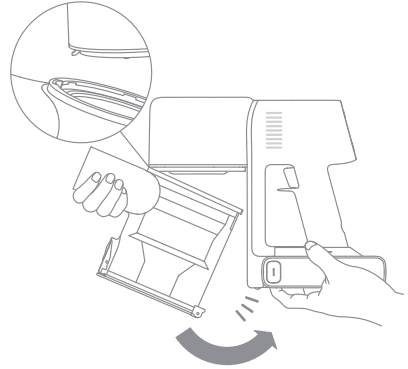
# Cuidado y mantenimiento

## Instalación del filtro

1. Inserte el filtro en la aspiradora y presione suavemente hacia abajo, como se indica en la imagen.

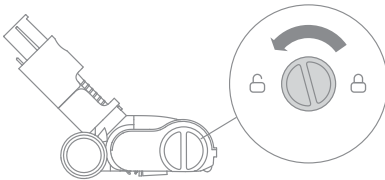


2. Vuelva a instalar el compartimento de polvo.

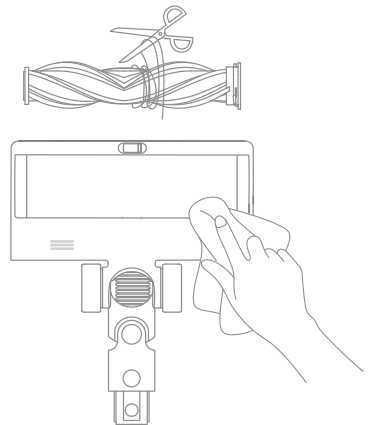


## Limpiar el cepillo multisuperficie inteligente

1. Gire el bloqueo en sentido contrario a las agujas del reloj hasta que se detenga, luego quite el rodillo.

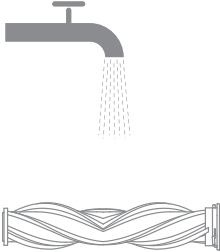


2. Utilice unas tijeras para cortar los pelos y las fibras que se atascan en el rodillo. Elimine el polvo de la muesca y la tapa transparente con un paño seco o una toalla de papel. Seque bien antes de utilizar.

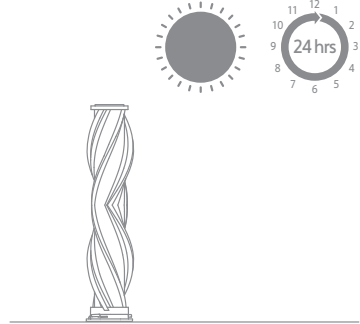


# Cuidado y mantenimiento

3. Cuando está sucio, enjuague el rodillo con agua limpia hasta que esté limpio.

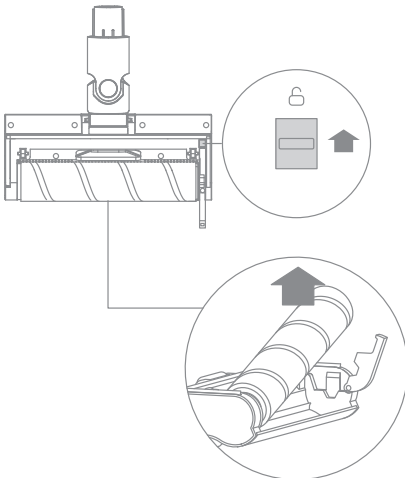


4. Coloque el rodillo en posición vertical durante al menos 24 horas hasta que esté completamente seco.

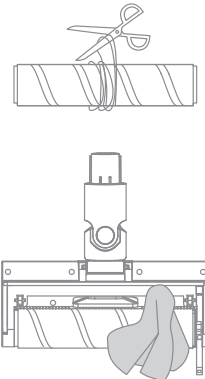


## Limpiar el cepillo de rodillo suave

1. Pulse el botón de liberación del rodillo del cepillo para retirar el rodillo de la ranura como se muestra en la imagen.



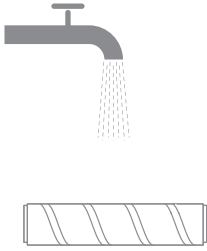
2. Utilice unas tijeras para cortar los pelos y fibras que se acumulan en el rodillo del cepillo y en las ruedas. Limpie el polvo de la ranura y de la cubierta transparente con un paño seco o una toalla de papel. Secar bien antes su uso.



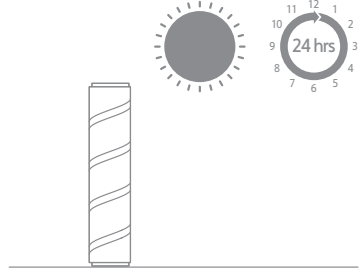


# Cuidado y mantenimiento

3. Cuando está sucio, enjuague el rodillo con agua limpia hasta que esté limpio.

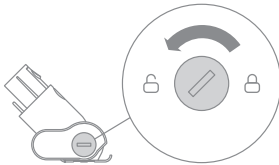


4. Coloque el rodillo en posición vertical durante al menos 24 horas hasta que esté completamente seco.

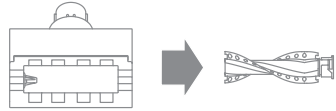


## Limpieza del mini-cepillo motorizado

1. Utilice una moneda para girar el cierre en sentido contrario a las agujas del reloj, hasta que oiga un clic.



2. Después de desbloquear el minic cepillo motorizado, quite el rodillo, luego enjuáguelo y límpielo.



3. Coloque el rodillo en posición vertical en un área bien ventilada durante al menos 24 horas hasta que esté completamente seco.



4. Una vez que el rodillo esté seco, vuelva a instalarlo siguiendo los pasos de desmontaje al revés.

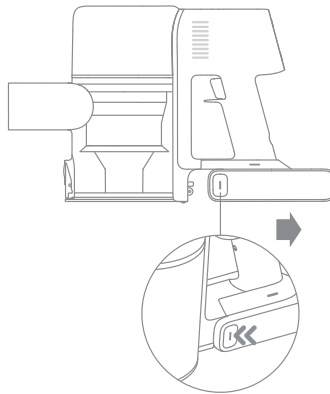


# Cuidado y mantenimiento

La aspiradora contiene un pack de batería de ion de litio recargable y extraíble que cuenta con un número limitado de ciclos de recarga. Tras un uso prolongado, el pack de batería dejará de poder realizar una carga. Si esto ocurre, significará que el pack de batería ha alcanzado el fin de su vida útil y deberá sustituirlo.

## Pack de batería

1. Pulse el botón de liberación del pack de batería y deslícelo hacia la derecha para sacarlo, como se muestra en la imagen.
2. Instale el nuevo pack de batería.



# Especificaciones

<b>Aspiradora</b>			
Modelo	VTV97A	Tensión de carga	34 V ===
Potencia nominal	570 W	Tensión nominal	29,6 V ===
Tiempo de carga	Aproximadamente 4 horas		
<b>Cepillo multisuperficie inteligente</b>			
Modelo	VMB9		
Potencia nominal	40 W	Tensión nominal	25,2 V ===
<b>Cepillo de rodillo suave</b>			
Modelo	ASF4		
Potencia nominal	40 W	Tensión nominal	25,2 V ===
<b>Mini-Cepillo Motorizado</b>			
Modelo	VMM4		
Potencia nominal	20 W	Tensión nominal	25,2 V ===
<b>Cargador</b>			
Modelo	ZD024M340090EU	Eficiencia activa media	87,01%
Entrada	100 - 240 V ~ 50-60 Hz, 0,8 A max	Eficiencia a Baja Carga (10%)	77,01%
Salida	34 V === 0,9 A	Consumo de Energía Sin Carga	0,1 W
<b>Pack de batería de ion de litio recargable</b>			
Modelo de batería	P2033-8S1P-GYA		
Tensión nominal	29,6 V ===	Capacidad nominal	2900 mAh
Energía	81,4 Wh	Capacidad real	2750 mAh

El pack de batería de ion de litio contiene sustancias perjudiciales para el medio ambiente. Antes de desechar la aspiradora, quite el pack de batería y deséchelo o recíclelo siguiendo las leyes y reglamentos locales del país o región en el que se use.






# Preguntas frecuentes

Si el aspirador no funciona correctamente, consulte la siguiente tabla de posibles soluciones.

Averías comunes	Posible causa	Solución
La aspiradora no funciona.	No tiene batería o le queda poca.	Cargue completamente la aspiradora y reanude el uso.
	Activa el modo de protección contra sobrecalentamiento debido a una obstrucción.	Espere hasta que el aspirador se enfríe, luego reactivelo.
	La abertura de succión o el conducto de aire está bloqueado.	Limpie cualquier obstrucción de la abertura de succión o del conducto de aire.
La potencia de succión disminuye.	El compartimento de polvo está lleno y/o el filtro está obstruido.	Vacíe el depósito del polvo y limpie el conjunto del filtro.
	El accesorio ensamblado está bloqueada.	Despeje cualquier bloqueo en el accesorio ensamblado.
El motor hace un ruido raro.	La abertura de succión principal o la varilla de fibra de carbono están bloqueadas.	Elimine cualquier obstrucción en la abertura de succión principal o en la varilla de fibra de carbono.
El primer indicador aparece rojo después de encender la aspiradora.	El pack de batería está dañado.	Póngase en contacto con el servicio posventa para concertar una cita de mantenimiento.
El primer indicador parpadea en rojo al cargar la aspiradora.	El cargador no es compatible.	Utilice únicamente el cargador original para cargar la aspiradora.
El indicador de batería no se enciende durante la carga.	El cargador no está conectado a la aspiradora.	Asegúrese de que el cargador esté bien conectado.
	La batería está totalmente cargada y cambió al modo de suspensión.	Puede utilizar la aspiradora como de costumbre.
	Si el problema persiste después de descartar las dos posibilidades anteriores, póngase en contacto con el servicio posventa para obtener ayuda.	
La batería se carga lentamente.	La temperatura de la batería es demasiado alta o baja.	Espere a que la temperatura de la batería se normalice y reanude el uso.
Las luces LED del cepillo multisuperficie inteligente no funcionan.	Las luces LED están dañadas.	Póngase en contacto con el servicio posventa para obtener ayuda.

# Indicación de fallo

Si la aspiradora no funciona con normalidad, en la pantalla aparecerá un mensaje de error. Consulte la tabla siguiente para encontrar la solución al problema en función del mensaje de error.

Icono del error	Estado	Mensaje del error	Soluciones
	Rojo intermitente	Alerta de alta temperatura	Espera a que la temperatura de la batería se normalice antes de reanudar el uso.
	Naranja intermitente	El rodillo está atascado	Consulte el apartado [Limpiar el cepillo multisuperficie inteligente] de la guía de mantenimiento para limpiar el material de fibra y los pelos envueltos en el rodillo del cepillo.
	Naranja intermitente	Conducto de aire bloqueado	Compruebe si el colector de polvo, la varilla de fibra de carbono y el cepillo multisuperficie inteligente están bloqueados.
	Naranja intermitente	Filtro a punto de expirar	Reemplace el filtro a tiempo. Después de reemplazar el filtro, mantenga pulsado el bloqueo del interruptor de gatillo durante 3 segundos para reiniciar el filtro.
	Naranja fijo	Filtro no instalado	Assicurarsi che il filtro e il pre-filtro siano installati correttamente.
	Rojo fijo	Error	Póngase en contacto con el servicio posventa para concertar una cita de mantenimiento.
Si uno de los códigos de error de E0 a E4 aparece en la pantalla, contacte con el equipo de servicio de posventa para su reparación.			

## Información sobre RAEE



Todos los productos que llevan este símbolo son residuos de aparatos eléctricos y electrónicos (RAEE según la directiva 2012/19/UE) que no deben mezclarse con residuos domésticos sin clasificar. En su lugar, debe proteger la salud humana y el medio ambiente entregando sus equipos de desecho a un punto de recogida para el reciclaje de residuos de equipos eléctricos y electrónicos, designado por el gobierno o las autoridades locales. La eliminación y el reciclado correctos ayudarán a evitar posibles consecuencias negativas para el medio ambiente y la salud humana. Póngase en contacto con el instalador o con las autoridades locales para obtener más información sobre la ubicación y las condiciones de dichos puntos de recogida.

# Инструкции по технике безопасности

Во избежание травм из-за случайного поражения электрическим током или воспламенения в результате неправильной эксплуатации изделия перед началом использования внимательно прочитайте руководство по эксплуатации.

## Предупреждение

- В целях безопасности данное изделие не должно использоваться лицами с ограниченными физическими или интеллектуальными возможностями и нарушениями в работе органов чувств, а также лицами, не имеющими соответствующего опыта и знаний (включая детей), за исключением случаев, когда изделие используется под наблюдением ответственного лица.
- Детям строго запрещено использовать данное изделие по назначению или в качестве игрушки. Будьте крайне осторожны во время использования изделия рядом с детьми. Детям строго запрещено чистить или ремонтировать изделие без контроля взрослых.
- Строго запрещено использовать изделие на открытом воздухе или на влажной поверхности. Используйте изделие только на сухой поверхности внутри помещения, не прикасайтесь к штепсельной вилке или любой другой части изделия мокрыми руками.
- Во избежание воспламенений, взрывов или травм проверьте литиевый аккумулятор и зарядное устройство на наличие повреждений перед началом использования. Запрещено использовать пылесос, если литиевая батарея или зарядное устройство повреждены.
- Интеллектуальная многоповерхностная щетка, моторизованная мини-щетка, батарея, стержень из углеродного волокна и вакуум являются электропроводящими и не должны погружаться в воду или другую жидкость. Обязательно высушите все фильтры после очистки.
- Чтобы предотвратить травмы, вызванные движущимися частями, выключите пылесос перед очисткой умной многоповерхностной щетки. Интеллектуальная многоповерхностная щетка, пылесборник и фильтр должны быть правильно установлены перед использованием вакуума.
- Используйте только оригинальное зарядное устройство, не используйте иные зарядные устройства, так как это может привести к возгоранию литиевого аккумулятора.
- Не используйте изделие для удаления воды, бензина и других легковоспламеняющихся или взрывоопасных жидкостей. Не используйте изделие для удаления токсичных растворов, таких как хлорный отбеливатель, аммиак, средства для очистки канализации, или других жидкостей.
- Запрещено использовать пылесос для очистки извести, цемента, гипсового порошка, золы и пепла, больших объемов муки и угольной пыли, а также для удаления дымящихся или зажигательных средств, таких как угли, окурки или спички.
- Перед началом эксплуатации проверьте зону для уборки. В случае обнаружения крупных листов бумаги, бумажных шариков, пластиковых или острых предметов (таких как стекло, гвозди, винты, монеты и т.д.), а также элементов крупнее диаметра коктейльной трубочки удалите их, чтобы избежать засорения всасывающей трубки и нарушения нормальной работы изделия.
- Избегайте соприкосновения воздушного отверстия и движущихся элементов изделия с волосами, одеждой, пальцами и другими частями тела. Не направляйте удлинитель и другие детали изделия в сторону глаз, ушей или рта.
- Запрещено помещать какие-либо предметы на всасывающее отверстие. Не используйте пылесос, если всасывающее отверстие засорилось. Наличие больших кусков пыли, ваты, волос и других предметов может привести к ослаблению воздушного потока. Своевременно проводите очистку.
- Не прислоняйте пылесос к неустойчивым предметам, таким как стулья или столы, чтобы избежать повреждения пылесоса и травмирования пользователя в результате падения пылесоса. В случае повреждения или поломки пылесоса в результате падения обратитесь в официальный сервисный центр. Не разбирайте изделие самостоятельно.
- Осуществляйте зарядку в строгом соответствии с инструкциями. В случае неправильной зарядки и превышения указанного диапазона температуры, аккумулятор может быть поврежден.

- Используйте только аксессуары и запасные части, рекомендованные производителем.
- Извлеките штепсельную вилку перед техническим обслуживанием или ремонтом, а также в случае продолжительного хранения изделия.
- Будьте предельно внимательны во время использования изделия для уборки лестницы.
- Не проводите сборку, не заряжайте и не используйте данное изделие на улице, в ванной комнате или вблизи бассейна.
- Опасность возгорания: не наносите какие-либо ароматизаторы на фильтр данного изделия, так как химические вещества, содержащиеся в таких жидкостях, легко воспламеняются и могут привести к возгоранию.
- Используйте только оригинальное зарядное устройство (модель ZD024M340090EU). Несоблюдение этого правила может привести к возгоранию литиевого аккумулятора.
- Используйте только аккумуляторы модели P2033-8S1P-GYA. Несоблюдение этого правила может привести к возгоранию литиевого аккумулятора.
- В случае выброса материала аккумуляторов эвакуируйте персонал из опасной зоны до остывания аккумуляторов и рассеивания паров.
- Обеспечьте максимальную вентиляцию для удаления опасных газов и не допускайте контакта паров с кожей и глазами или их вдыхания.
- Удалите пролитую жидкость с помощью абсорбента и уничтожьте отходы посредством сжигания.
- Запрещается использовать и хранить изделие в экстремальных температурных условиях (ниже 0°C или выше 40°C). Используйте оригинальный адаптер питания и проводите подзарядку при температуре от 0°C до 40°C.
- Данное изделие подходит исключительно для домашнего использования.

#### Меры предосторожности при хранении и транспортировке:

- Продукт должен транспортироваться в упаковке. Не подвергайте продукт давлению или ударам во время транспортировки.
- Пожалуйста, избегайте сильных столкновений во время транспортировки.
- Не транспортируйте пылесос при температуре выше 50°C или ниже -20°C.
- В случае краткосрочного хранения, например одного месяца, пылесос рекомендуется хранить при температуре от -20 °C до 50 °C и относительной влажности 60% ± 5%. В случае длительного хранения пылесос рекомендуется хранить при температуре окружающей среды от 0 °C до 40 °C.
- Утилизируйте пылесос надлежащим образом. Когда его срок службы подойдет к концу, утилизируйте пылесос в соответствии с местными законами и правилами страны или региона, в котором он используется.

Правила и условия реализации: без ограничений.

Импортер продает этот продукт; информацию об импортере см. на упаковке.

Сведения об импортере и контактная информация отдела послепродажного обслуживания указаны на упаковке.

Дата изготовления: см. на упаковке.

Срок службы продукции 3 лет.

Мы, компания Dreame Trading (Tianjin) Co., Ltd., настоящим заявляем, что данное изделие соответствует требованиям всех действующих директив ЕС и европейских стандартов со всеми изменениями и дополнениями. Полный текст декларации о соответствии нормативным требованиям ЕС доступен по адресу: <https://global.dreametech.com>

Подробное электронное руководство см. по адресу <https://global.dreametech.com/pages/user-manuals-and-faqs>

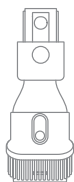


# Описание изделия

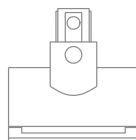
## Список аксессуаров



Нижний адаптер



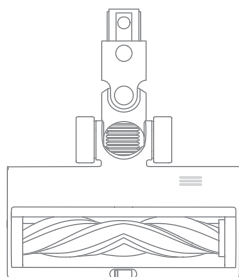
Универсальный инструмент



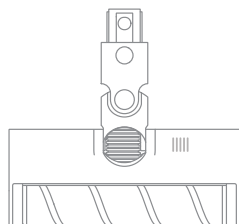
Электрическая минищетка



Углеродная трубка



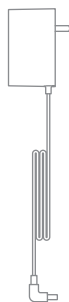
Интеллектуальная многоповерхностная щетка



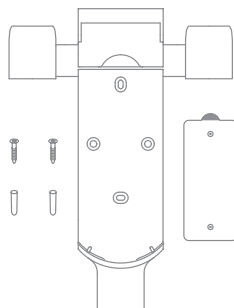
Мягкая роликовая щетка



Гибкий комбинированный инструмент



Зарядное устройство

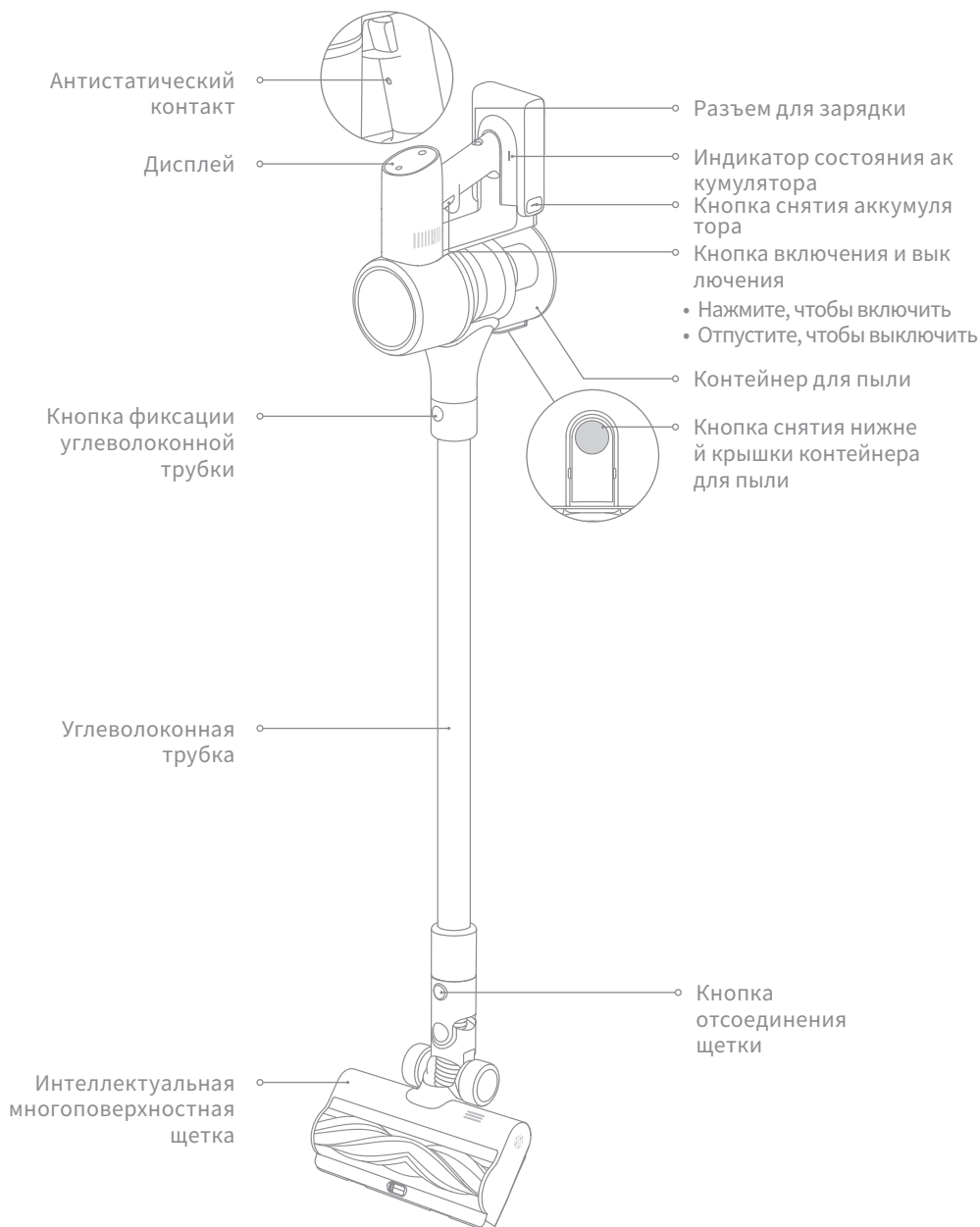


Подставка для зарядки и хранения "2 в 1" (в комплекте: 2 винта, 2 дюбеля и стикер места фиксации)

Примечание. Все иллюстрации в данном руководстве приведены исключительно для справки. По внешним параметрам ориентируйтесь на фактический вид изделия.







# Описание изделия

## Название детали



# Описание изделия

## Описание функций дисплея

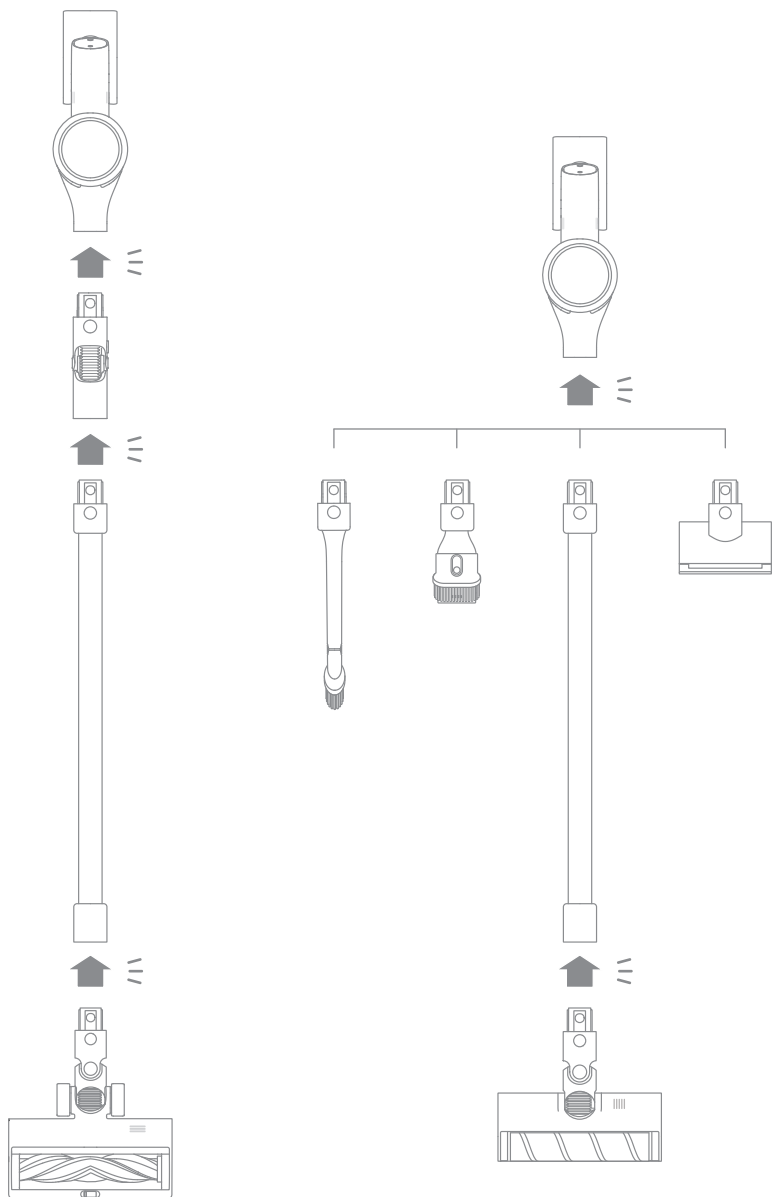
-  Предупреждение о высокой температуре
-  Щетка-валик застряла
-  Засорение воздушного отверстия
-  Неисправность
-  Фильтр не установлен/Расход фильтра подходит к концу
-  Индикатор зарядки/разряда аккумулятора
  - Мигает красным: Уровень заряда аккумулятора  $\leq 10\%$
  - Медленно мигающий красный: Уровень заряда аккумулятора  $\leq 10\%$  (заряжается)
  - Медленно мигающий зеленый: Уровень заряда аккумулятора  $> 10\%$  (заряжается)



# Инструкция по установке и сборке

## Сборка основного корпуса

☰ Вставьте до щелчка



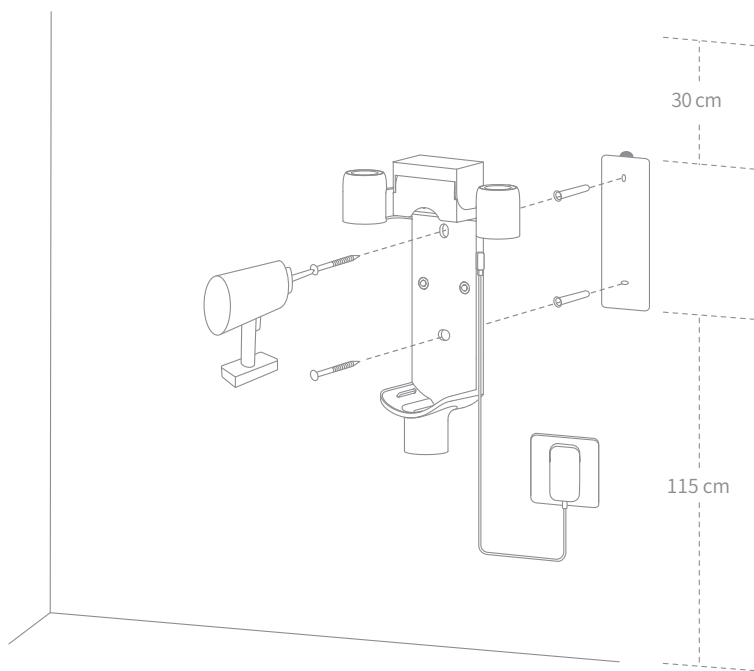
# Инструкция по установке и сборке

RU

## Установка подставки для зарядки и хранения "2 в 1"

1. Наклейте стикер места фиксации на стене параллельно полу на расстоянии не менее 115 см (от нижнего края стикера до пола) и оставьте минимум 30 см\* свободного пространства над верхним краем стикера.
2. При помощи перфоратора со сверлом 8 мм просверлите отверстия согласно отметка на стикере и вставьте дюбель в каждое отверстие.
3. Соедините монтажные отверстия на подставке для зарядки и хранения "2 в 1" с отверстиями в стене, а затем прикрутите подставку к стене с помощью прилагающихся винтов.

(\*30 см: дополнительное место для покупки сменной батареи в будущем.)



### Примечание.

- Подставка для зарядки и хранения "2 в 1" — это дополнительный аксессуар, который может быть установлен по необходимости.
- Примечание. Подставку для зарядки и хранения "2 в 1" следует устанавливать в прохладном и сухом месте рядом с электрической розеткой. Перед установкой убедитесь, что непосредственно рядом с местом установки подставки отсутствуют провода и трубы.

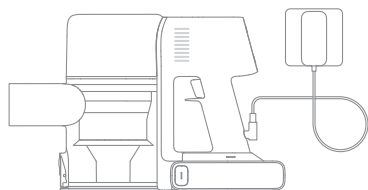
# Зарядка

Примечание.

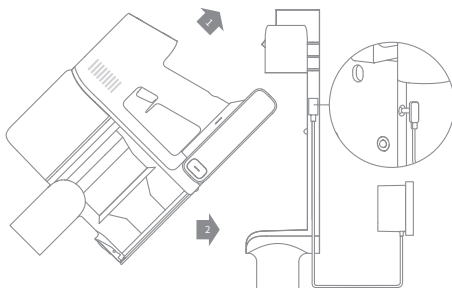
- Перед первым использованием зарядите пылесос до полной зарядки.
- Первая зарядка займет около 4 часов.
- После безостановочной уборки в режиме Турбо аккумулятор может сильно нагреться, поэтому пылесосу может потребоваться больше времени на подзарядку. Рекомендуется остудить робот в течение 30 минут и затем начать подзарядку.

## Режимы зарядки

Зарядка с помощью зарядного устройства



Зарядка с помощью подставки для зарядки



## Способы отображения уровня зарядки

Дисплей

Цифровое отображение уровня заряда на дисплее во время зарядки. Цифра 100 означает, что аккумулятор полностью заряжен.



Индикатор состояния аккумулятора

Во время зарядки три мигающих индикатора последовательно меняются на постоянный световой сигнал в зависимости от состояния батареи. При полном заряде аккумулятора все три мигающих индикатора будут светиться постоянно.

Примечание. Через 5 минут после окончания зарядки индикатор погаснет, а пылесос перейдет в энергосберегающий режим.



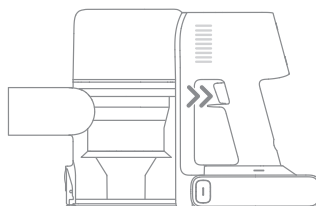
# Правила эксплуатации изделия

## Рабочие режимы

Доступны 2 режима работы робота-пылесоса, которые могут быть выбраны в зависимости от требований к уборке.

### Режим 1: "прерывистая уборка"

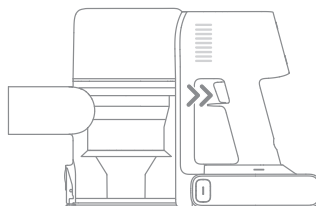
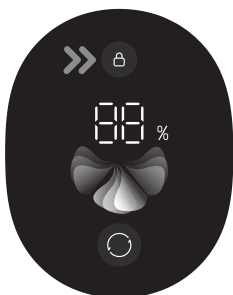
Нажмите и удерживайте переключатель пылесоса, чтобы начать работу, и отпустите его, чтобы немедленно остановить.




### Режим 2: "непрерывная уборка"

В рабочем состоянии пылесоса нажмите кнопку \*, чтобы включить режим безостановочной работы. Затем отпустите выключатель пылесоса, чтобы перейти в режим безостановочной работы.

С помощью функции Блок активации вы можете не удерживать кнопку переключения постоянно для защиты от усталости.



Примечание.

- В режиме безостановочной работы постоянно светится индикатор блокировки.
- Повторно нажмите на кнопку  Блок активации, чтобы выйти из режима непрерывной уборки.

## Переключатель

Нажмите кнопку  для переключения уровней между авто и турбо.

В режиме Turbo все значки в форме вентилятора будут загораться белым цветом.

Только в автоматическом режиме уровень всасывания и цвет веерообразного значка меняются с количеством вдыхаемой пыли.

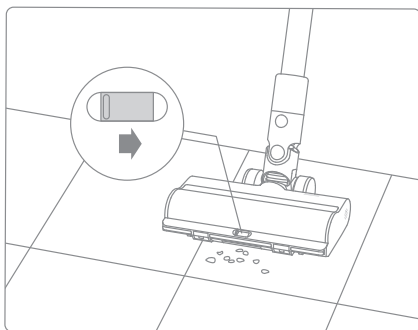
# Правила эксплуатации изделия

## Сценарии использования аксессуаров

### Интеллектуальная многоповерхностная щетка

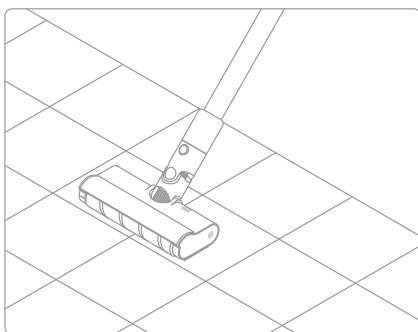
Примечание.

- Интеллектуальная многоповерхностная щетка можно прикрепить непосредственно к пылесосу.
- При запуске прибора автоматически включаются индикаторы перед валиком щетки, что удобно для использования.
- Подходит для уборки ковров с коротким и средним ворсом, а также для очистки кафельного и деревянного напольного покрытия.
- Для уборки пылесосом крупных частиц включите переключатель на щетке, например, кофейных зерен, кукурузных хлопьев и т.д.



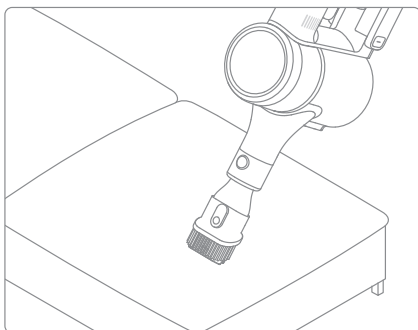
### Мягкая роликовая щетка

Подходит для чистки твердых полов, таких как мрамор и паркет.



### Универсальный инструмент

используется для очистки штор, клавиатуры, потолочной плитки, салона автомобиля, кофейных столиков и т. д.



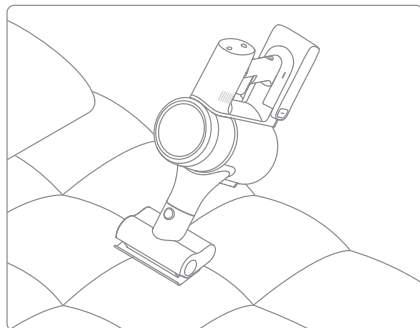


# Правила эксплуатации изделия

## Электрическая минищетка

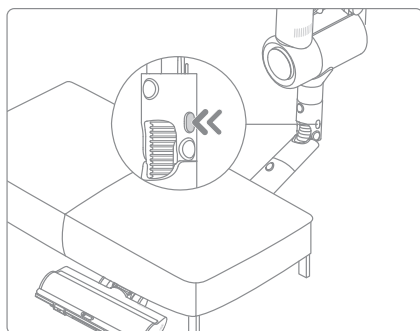
используется для уборки грязи, шерсти животных и других стойких загрязнений на диване, матрасе и других тканевых поверхностях.

Примечание. Не рекомендуется использовать пылесос для уборки поверхностей, на которых могут остаться зацепки и царапины (напр. Шелк).



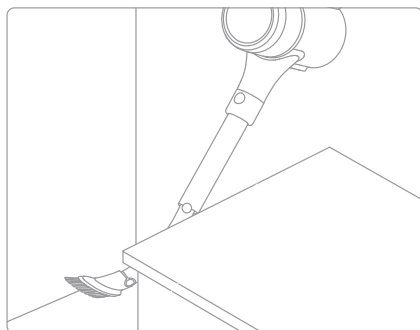
## Нижний адаптер

Возможность регулировки длины и направления трубки позволяет проводить уборку под кроватью, диваном и другой низкой мебелью.



## Гибкий комбинированный инструмент

Сгибаемая и выдвигаемая щетка-насадка, более гибкая для подметания в узкие щели.



Примечание.

- В случае заклинивания какой-либо вращающейся детали пылесос может автоматически отключиться. Уберите застрявшие посторонние предметы и продолжите уборку.
- В случае перегрева двигателя пылесос автоматически отключится. Подождите, пока температура аккумулятора нормализуется, а затем продолжите уборку.

# Уход и ремонт

## Меры предосторожности

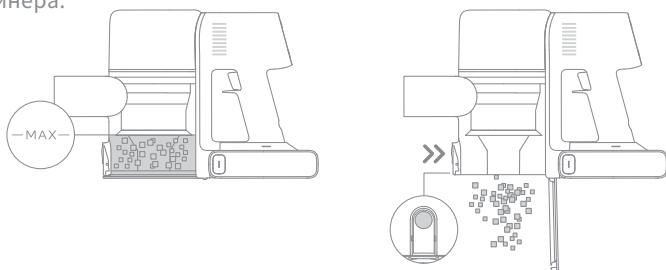
- Используйте оригинальные запчасти, в противном случае гарантийное обслуживание будет недоступно.
- В случае засорения фильтра, насадки или "умной" многофункциональной щетки робот-пылесос может выключиться сразу после запуска. Очистите засоренные детали перед повторным запуском.
- Если вы не планируете использовать пылесос в течение длительного периода времени, полностью зарядите его, отключите от розетки и положите на хранение в прохладном месте с низкой влажностью вдали от прямых солнечных лучей. Во избежание избыточной разрядки аккумулятора заряжайте пылесос как минимум раз в три месяца.

## Очистка пылесоса

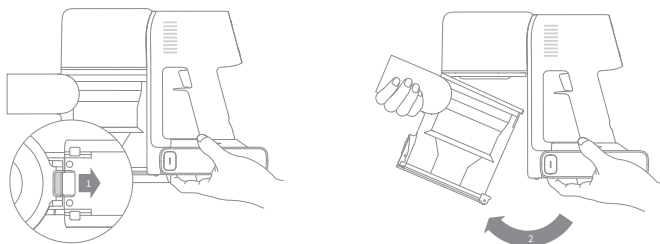
Протрите пылесос мягкой сухой тряпкой.

## Очистка контейнера для пыли, фильтра предварительной очистки и циклонного блока

1. Нажмите кнопку снятия нижней крышки контейнера для пыли в направлении, обозначенном стрелкой, а затем откройте крышку и извлеките содержимое контейнера.



2. Нажмите кнопку извлечения контейнера для пыли в направлении, обозначенном стрелкой, как показано на Рис.1, а затем извлеките контейнер для пыли из пылесоса, как на Рис.2.

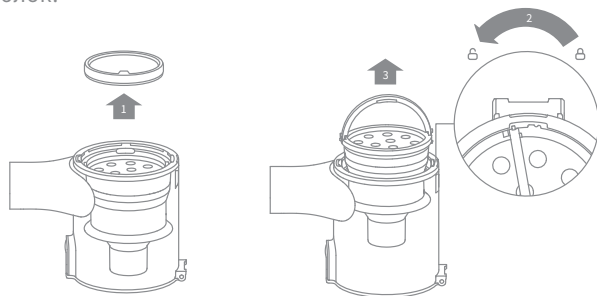


Примечание.

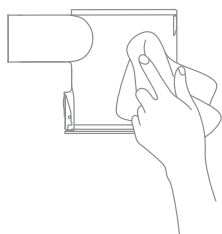
- Если контейнер для пыли заполнен до отметки "MAX", эффективность работы пылесоса может значительно снизиться. Для оптимальной работы своевременно очищайте контейнер для пыли.
- Перед очисткой контейнера убедитесь, что пылесос отключен от розетки, и не нажимайте кнопку "Пуск".

# Уход и ремонт

3. Сначала снимите фильтр предварительной очистки, поверните ручку циклонного блока против часовой стрелки до упора, а затем извлеките циклонный блок.

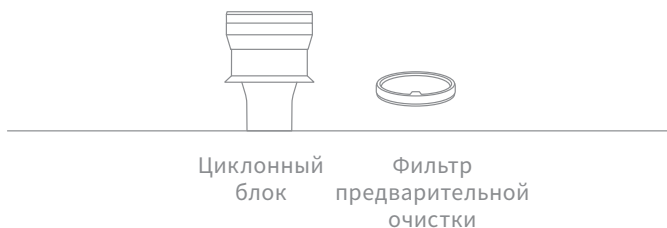


4. Протрите пылесборник мягкой влажной тканью. Обратите внимание на отжатие ткани перед использованием.



Контейнер для пыли содержит электрические компоненты. Запрещено промывать контейнер водой!

5. Тщательно промойте фильтр предварительной очистки и циклонный блок, а затем отложите минимум на 24 часа для полной просушки.

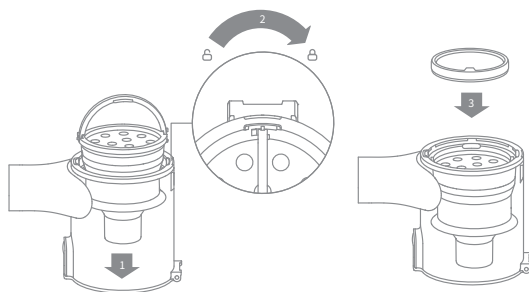


Примечание. Рекомендуется очищать фильтр предварительной уборки не реже одного раза в 3 месяца, а циклонный блок — не реже одного раза в 6 месяцев.

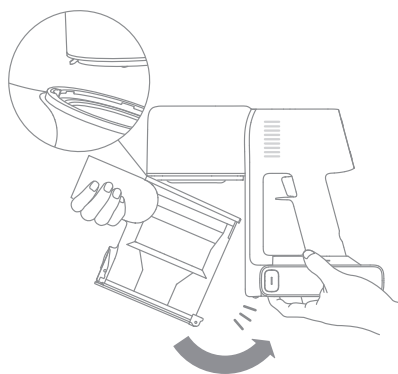
# Уход и ремонт

## Установка контейнера для пыли, фильтра предварительной очистки и циклонного блока

1. Вставьте циклонный блок вертикально в контейнер для пыли так, чтобы ручка циклонного блока соединилась с отверстием на левой стенке контейнера для пыли. Поверните ручку по часовой стрелке до упора, а затем опустите ее.
2. Вставьте фильтр предварительной очистки в циклонный блок передней стороной вверх.

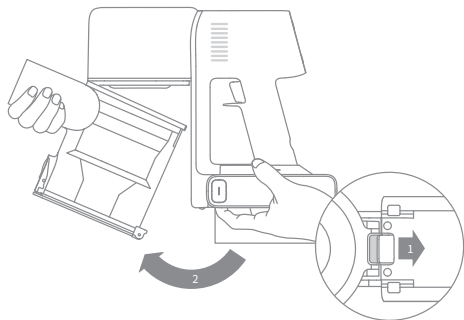


3. Слегка наклоните контейнер для пыли, чтобы его отверстие соединилось с фиксатором на пылесосе. Затем осторожно нажмите на контейнер в направлении, обозначенном стрелкой, до щелчка, чтобы завершить установку.

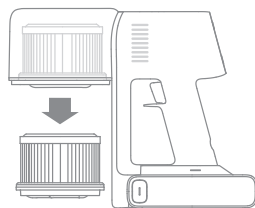


## Очистка фильтра

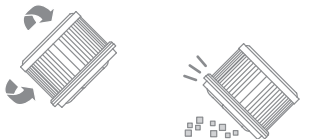
1. Извлеките контейнер для пыли так, как показано на рисунке.



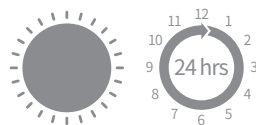
2. Достаньте фильтр из пылесоса движением вниз, как показано на рисунке.



3. Промойте фильтр чистой водой, поворачивая фильтр на 360°, чтобы полностью удалить накопившуюся в нем пыль. Несколько раз слегка постучите по фильтру, чтобы убрать избыток грязи.



4. Просушите фильтр в течение как минимум 24 часов.



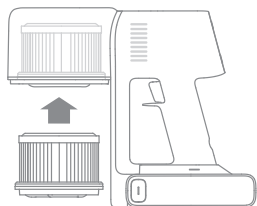
### Remarque :

- Рекомендуется очищать фильтр каждые 4–6 месяцев.
- Промывайте фильтр только чистой водой. Не используйте чистящие средства.
- Не очищайте фильтр щеткой или пальцами.

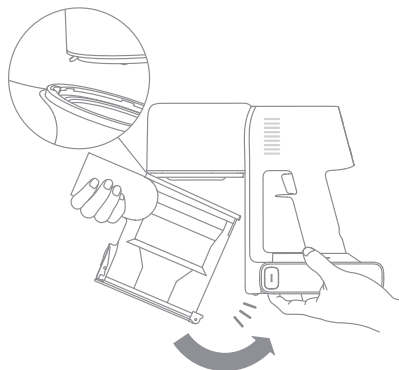
# Уход и ремонт

## Установка фильтра

1. Вставьте фильтр в пылесос и слегка нажмите на него, как показано на рисунке.

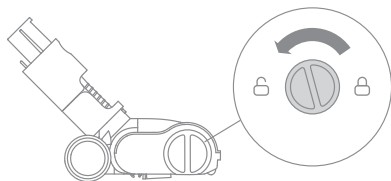


2. Установите контейнер для пыли на место.

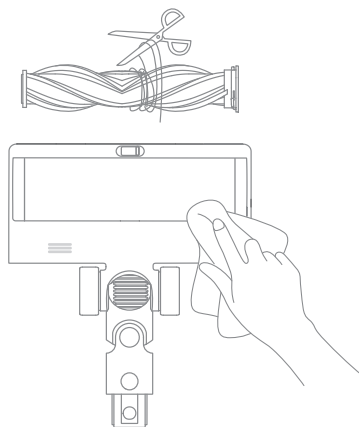


## Очистка интеллектуальной многоповерхностной щетки

1. Поверните блок против часовой стрелки до упора, затем снимите ролик с роликовой щетки.



2. С помощью ножниц срежьте волосы и ткань, застрявшие на роликовой щетке. Сотрите пыль с паза и прозрачной крышки сухой тканью или бумажным полотенцем. Перед использованием тщательно просушите.

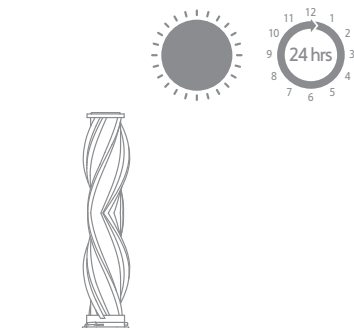


# Уход и ремонт

3. Если роликовая щетка загрязнится, промойте ее водой до чистоты.

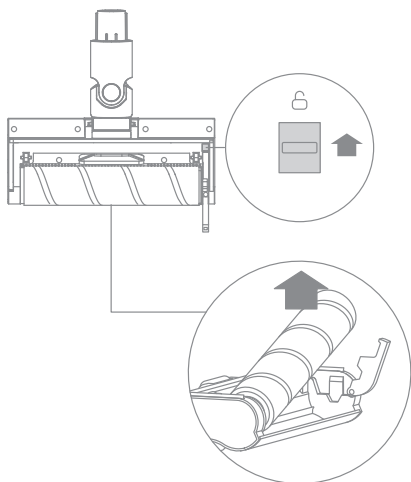


4. Поставьте роликовую щетку вертикально и оставьте минимум на 24 ч до полного высыхания.

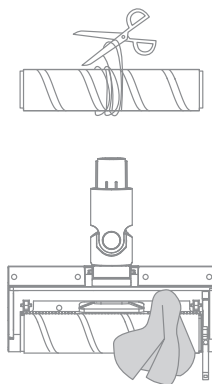


## Очистка мягкой роликовой щетки

1. Как показано на рисунке, нажмите кнопку освобождения ролика щетки, чтобы извлечь ролик из гнезда.

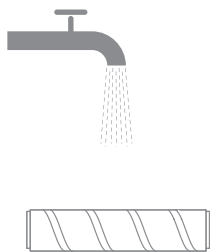


2. Ножницами срежьте волосы и волокна, застрявшие на валике щетки и колесиках. Протрите пыль с выемки и прозрачной крышки сухой тканью или бумажным полотенцем. Тщательно просушите перед использованием.

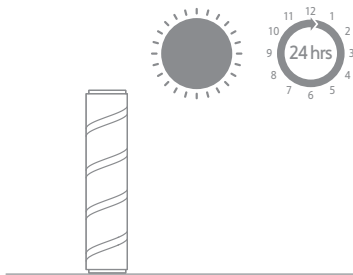


# Уход и ремонт

3. Если роликовая щетка загрязнится, промойте ее водой до чистоты.



4. Поставьте роликовую щетку вертикально и оставьте минимум на 24 ч до полного высыхания.

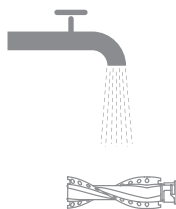


## Очистка электрической минищетки

1. С помощью монетки поверните замок против часовой стрелки до щелчка.



2. После разблокировки электрической минищетки снимите роликовую щетку, затем ополосните и очистите ее.



3. Поставьте роликовую щетку вертикально в хорошо вентилируемом месте минимум на 24 ч до полного высыхания.



4. Когда роликовая щетка высохнет, установите ее на место в последовательности, обратной установке.

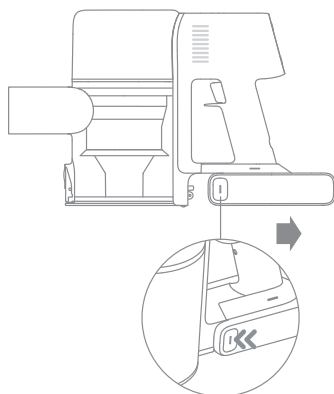




## Аккумулятор

Пылесос содержит съемный литий-ионный аккумулятор с ограниченным количеством циклов зарядки. После продолжительного использования аккумулятор может перестать держать заряд. Это означает, что срок службы аккумулятора подошел к концу и его требуется заменить.

1. Нажмите кнопку снятия аккумулятора и сдвиньте аккумулятор вправо, как показано на рисунке, чтобы снять его.
2. Вставьте новый аккумулятор.



# Технические характеристики

Вакуумный пылесос			
Модель	VTV97A	Напряжение при зарядке	34 V <sup>===</sup>
Номинальная мощность	570 W	Номинальное напряжение	29,6 V <sup>===</sup>
Время зарядки	Около 4 ч.		
Интеллектуальная многоповерхностная щетка			
Модель	VMB9		
Номинальная мощность	40 W	Номинальное напряжение	25,2 V <sup>===</sup>
Мягкая роликовая щетка			
Модель	ASF4		
Номинальная мощность	40 W	Номинальное напряжение	25,2 V <sup>===</sup>
Электрическая минищетка			
Модель	VMM4		
Номинальная мощность	20 W	Номинальное напряжение	25,2 V <sup>===</sup>
Электрическая мини-щетка			
Модель	ZD024M340090EU	Средний КПД в активном состоянии	87,01%
Номинальная мощность	100 - 240 V <sup>~</sup> 50-60 Hz, 0,8 A max	Эффективность при низкой нагрузке (10%)	77,01%
Номинальное напряжение	34 V <sup>===</sup> 0,9 A	Энергопотребление без нагрузки	0,1 W
Перезаряжаемый литий-ионный аккумулятор			
Модель	P2033-8S1P-GYA		
Расчетное напряжение	29,6 V <sup>===</sup>	Расчетная емкость	2900 mAh
Энергия	81,4 Wh	Номинальная емкость	2750 mAh

Литий-ионный аккумулятор содержит вещества, представляющие опасность для окружающей среды. Перед утилизацией пылесоса сначала выньте аккумулятор и утилизируйте или сдайте его на переработку в соответствии с местными законами и правилами страны или региона эксплуатации.

# Вопросы и ответы

Если пылесос перестал работать в нормальном режиме, см. таблицу устранения неисправностей ниже.

Неисправность	Возможная причина	Решение
Пылесос не работает.	Пылесос разрядился или недостаточный заряд аккумулятора.	Полностью зарядите пылесос, а затем продолжите использование.
	В результате засорения автоматически включился режим защиты от перегрева.	Подождите, пока пылесос остынет, а затем заново включите его.
	Отверстие для всасывания или воздушное отверстие засорилось.	Очистите отверстие для всасывания или воздушное отверстие от загрязнений.
Сила всасывания снизилась.	Заполнен контейнер для пыли и/или засорен фильтр.	Очистите контейнер для пыли и очистите блок фильтра.
	Аксессуар засорился.	Очистите аксессуар от загрязнений.
Посторонние шумы в двигателе.	Засорение основного всасывающего отверстия или углеволоконной трубки	Удалите посторонние предметы из основного всасывающего отверстия или углеволоконной трубки
После включения пылесоса первый индикатор горит красным.	Отсек аккумулятора поврежден.	Обратитесь в отдел послепродажного обслуживания для устранения неполадки.
Во время зарядки пылесоса первый индикатор мигает красным.	Используется несовместимое зарядное устройство.	Используйте только оригинальное зарядное устройство для зарядки пылесоса.
Во время зарядки пылесоса индикатор заряда не горит.	Зарядное устройство не подключено к пылесосу.	Убедитесь, что зарядное устройство подключено правильно.
	Аккумулятор полностью заряжен и перешел в спящий режим.	Пылесос готов к использованию.
	Если после устранения обоих указанных выше ситуаций проблема по-прежнему не устранена, обратитесь в отдел послепродажного обслуживания компании для проведения ремонта.	
Медленная зарядка аккумулятора.	Слишком низкая или слишком высокая температура аккумулятора.	Подождите, пока температура аккумулятора нормализуется, а затем продолжите использование.
Светодиодные индикаторы интеллектуальной многоповерхностной щетки не работают.	LED лампы повреждены.	обратитесь в отдел послепродажного обслуживания компании для проведения ремонта.

# Устранение неисправностей

Примечание. В случае неисправности работы пылесоса на дисплее появится информация о проблеме. Внимательно прочитайте указанную информацию и изучите таблицу неисправностей для ее устранения.

Значок неисправности	Статус	Предупреждение о неисправности	Решения
	Мигающий красный	Предупреждение о высокой температуре	Подождите, пока температура аккумулятора нормализуется, а затем продолжите использование.
	Мигающий оранжевый	Щетка-валик застряла	Обратитесь к разделу руководства по обслуживанию [Очистка щетки Smart Multi-Surface Brush], чтобы очистить волокнистый материал и волосы, намотанные на валик щетки.
	Мигающий оранжевый	Засорение воздушного отверстия	Проверьте, не заблокированы ли пылесборник, стержень из углеродного волокна и интеллектуальная щетка для разных поверхностей.
	Мигающий оранжевый	Расход фильтра подходит к концу	Пожалуйста, замените фильтр вовремя. После замены фильтра нажмите и удерживайте блокировку триггерного переключателя в течение 3 секунд, чтобы сбросить фильтр.
	Сплошной оранжевый	Фильтр не установлен	Убедитесь, что-фильтр и фильтр предварительной очистки правильно установлены.
	Сплошной красный	Неисправность	Обратитесь в отдел послепродажного обслуживания для устранения неполадки.
Если на дисплее появляется один из кодов ошибок от E0 до E4, обратитесь в службу послепродажного обслуживания для ремонта.			

## Информация об утилизации и переработке отходов электрического и электронного оборудования (WEEE)



Все изделия с символом отдельного сбора отработанного электрического и электронного оборудования (Директива WEEE 2012/19/EU) следует утилизировать отдельно от несортируемых бытовых отходов. С целью охраны здоровья и защиты окружающей среды такое оборудование необходимо сдавать на переработку в специальные пункты приема электрического и электронного оборудования, определенные правительством или местными органами власти. Правильная утилизация и переработка помогут предотвратить возможные негативные последствия для окружающей среды и здоровья человека. Для получения информации о местонахождении и порядке приема устройств в пунктах приема обратитесь в компанию, занимающуюся установкой оборудования, или в местные органы власти.

# Instrukcja bezpieczeństwa

Aby zapobiec wypadkom, w tym porażeniu prądem elektrycznym lub pożarowi spowodowanemu niewłaściwym użytkowaniem, przed użyciem należy zachować niniejszą instrukcję i zachować ją do wykorzystania w przyszłości.

## Ostrzeżenie

- Z tego produktu mogą korzystać dzieci w wieku od 8 lat oraz osoby z deficytami fizycznymi, sensorycznymi, intelektualnymi lub o ograniczonym doświadczeniu lub wiedzą wyłącznie pod nadzorem rodzica lub innej osoby dorosłej, aby zapewnić bezpieczne użytkowanie i uniknąć wszelkich zagrożeń. Pielęgnacja i konserwacja urządzenia nie mogą być wykonywane przez dzieci bez nadzoru osoby dorosłej.
- Odkurzacz nie jest zabawką. Dzieci nie powinny bawić się ani obsługiwać tego produktu. Należy zachować ostrożność podczas używania odkurzacza w pobliżu dzieci. Nie pozwalaj dzieciom na czyszczenie lub konserwację odkurzacza, chyba że pod nadzorem rodzica lub osoby dorosłej.
- Nie używaj odkurzacza na zewnątrz ani na mokrych powierzchniach. Odkurzacza należy używać tylko na suchych powierzchniach, wewnątrz pomieszczeń. Nie należy dotykać wtyczki ani żadnej części odkurzacza mokrymi rękami.
- Aby zmniejszyć ryzyko pożaru, wybuchu lub obrażeń, przed użyciem upewnij się, że akumulator litowy i zasilacz są nieuszkodzone. Nie używaj odkurzacza, jeśli akumulator litowy lub ładowarka są uszkodzone.
- Inteligentna szczotka wielopowierzchniowa, zmotoryzowana mini-szczotka, akumulator, rurka z włókna węglowego i odkurzacz przewodzą prąd i nie należy zanurzać ich w wodzie ani innych cieczach. Wyszuszyć filtry po czyszczeniu.
- Aby zapobiec obrażeniom spowodowanym przez części ruchome, wyłącz odkurzacz przed czyszczeniem inteligentnej szczotki wielopowierzchniowej. Szczotka wielopowierzchniowa, pojemnik na kurz i filtr muszą być prawidłowo zainstalowane przed użyciem odkurzacza.
- Należy używać wyłącznie oryginalnego zasilacza. Nigdy nie używaj nieoryginalnego zasilacza.
- Nie należy używać odkurzacza do usuwania łatwopalnych cieczy, takich jak benzyna, wybielacz, amoniak, środki czyszczące do kanalizacji lub inne płyny.
- Nie należy używać odkurzacza do usuwania pyłu, płyt kartonowo-gipsowych, popiołów kominkowych lub łatwopalnych materiałów, takich jak węgiel, niedopałki papierosów lub zapałki.
- Przed użyciem należy sprawdzić obszar, który ma zostać oczyszczony. Aby zapobiec zatkaniu otworów, należy usunąć duże kawałki papieru, papierowe kulki, plastikową torebkę lub ostre przedmioty, takie jak szkło, gwoździe, śruby, monety itp. i wszelkie przedmioty, który są większe niż otwory ssące.
- Trzymaj włosy, luźne ubrania, palce i inne części ciała z dala od otworów i ruchomych części odkurzacza. Nie należy kierować pręta przedłużającego, różdżki lub narzędzi w kierunku oczu lub uszu, ani wkładać ich do ust.
- Nie należy wkładać żadnych przedmiotów do otworów ssących. Nie używać odkurzacza, jeśli jego otwór ssący jest zablokowany.

- Nie należy opierać odkurzacza o krzesło, stół lub inną niestabilną powierzchnię, ponieważ może to spowodować uszkodzenie urządzenia lub obrażenia ciała. Jeśli odkurzacze zostanie uszkodzony lub w inny sposób działa nieprawidłowo, skontaktuj się z naszym autoryzowanym działem serwisowym.
- Wszystkie zalecenia w instrukcji ładowania akumulatora muszą być ściśle przestrzegane. Ładowanie akumulatora nieprzestrzegając określonego zakresu temperatur może spowodować jego uszkodzenie.
- Należy używać wyłącznie akcesoriów i części zamiennych zalecanych przez producenta.
- Należy zachować szczególną ostrożność podczas czyszczenia schodów przy użyciu odkurzacza.
- Należy upewnić się, że odłączono odkurzacze, gdy nie jest on używany przez dłuższy czas, a także przed wykonaniem jakichkolwiek czynności konserwacyjnych lub napraw.
- Nie należy montować, ładować ani używać tego urządzenia na zewnątrz, w łazienkach lub wokół basenów.
- Ostrzeżenie o zagrożeniu pożarowym: Nie należy aplikować żadnych perfum do filtra odkurzacza. Tego rodzaju produkty zawierają łatwopalne substancje chemiczne, które mogą spowodować zapalenie się odkurzacza.
- Należy używać wyłącznie oryginalnej ładowarki (Model ZD024M340090EU). Niezastosowanie się do tego może spowodować zapalenie się akumulatora litowo-jonowego.
- Należy używać wyłącznie zatwierdzonego typu baterii (Model P2033-8S1P-GYA). Niezastosowanie się do tego może spowodować zapalenie się akumulatora litowo-jonowego.
- Jeśli dojdzie do uwolnienia materiału z akumulatora, personel powinien opuścić ten obszar aż do czasu ostygnięcia akumulatora i rozproszenia się oparów.
- Zapewnić maksymalną wentylację w celu usunięcia niebezpiecznych gazów i unikać kontaktu ze skórą i oczami oraz wdychania oparów.
- Rozlaną ciecz usunąć za pomocą środka absorbującego, a odpady spalić.
- Nie należy używać i przechowywać urządzenia w bardzo gorących lub zimnych warunkach (poniżej 0°C /32°F lub powyżej 40°C /104°F). Bezprzewodowy odkurzacze należy ładować w temperaturze powyżej 0°C/32°F i poniżej 40°C/104°F.
- Ten produkt jest przeznaczony wyłącznie do użytku domowego.

My, Dreame Trading (Tianjin) Co., Ltd., niniejszym oświadczamy, że to urządzenie jest zgodne z obowiązującymi dyrektywami i normami europejskimi oraz ich poprawkami. Pełny tekst deklaracji zgodności UE jest dostępny pod następującym adresem internetowym: <https://global.dreameotech.com>

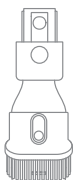
Szczegółową elektroniczną instrukcję obsługi można znaleźć na stronie <https://global.dreameotech.com/pages/user-manuals-and-faqs>

# Opis produktu

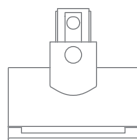
## Akcesoria



Adapter elastyczny



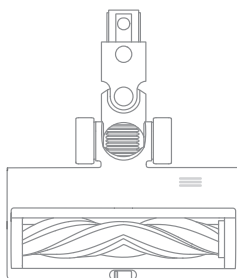
Narzędzie wielozadaniowe



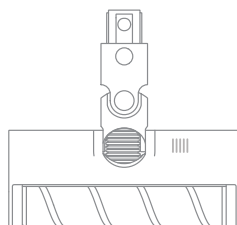
Zmotoryzowana mini szczotka



Pręt z włókna węglowego



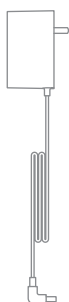
Inteligentna szczotka wielopowierzchniowa



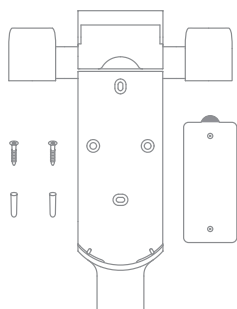
Miękka szczotka rolkowa



Elastyczny przyrząd wielofunkcyjny



Zasilacz



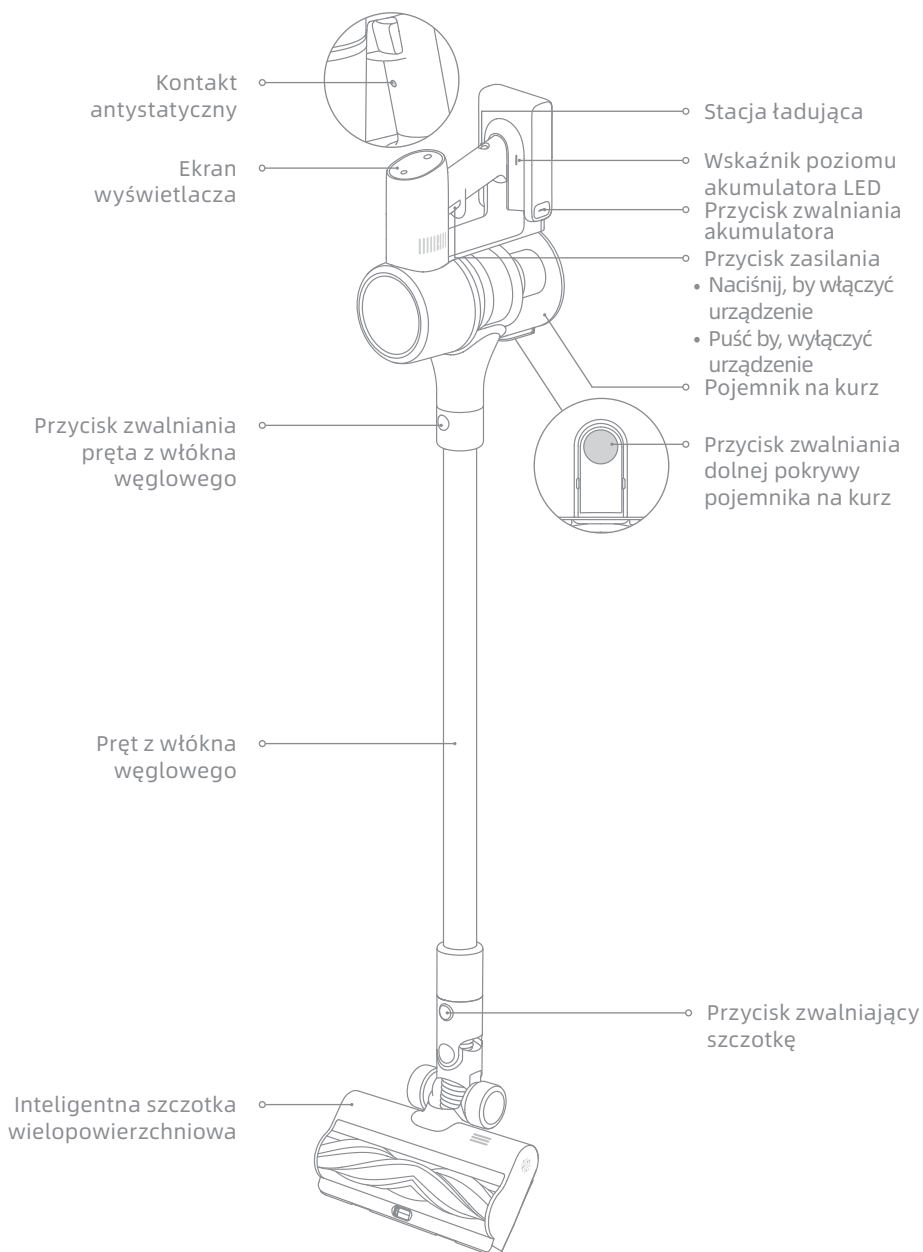
Stacja ładująca 2w1  
(Zawiera: śruby x2, kołki rozporowe x2, naklejkę pozycjonującą)

Uwaga: Ilustracje w niniejszej instrukcji mają charakter informacyjny. Rzeczywisty produkt może się różnić.









# Opis produktu

## Nazwy części



# Opis produktu

## Opis funkcji wyświetlacza

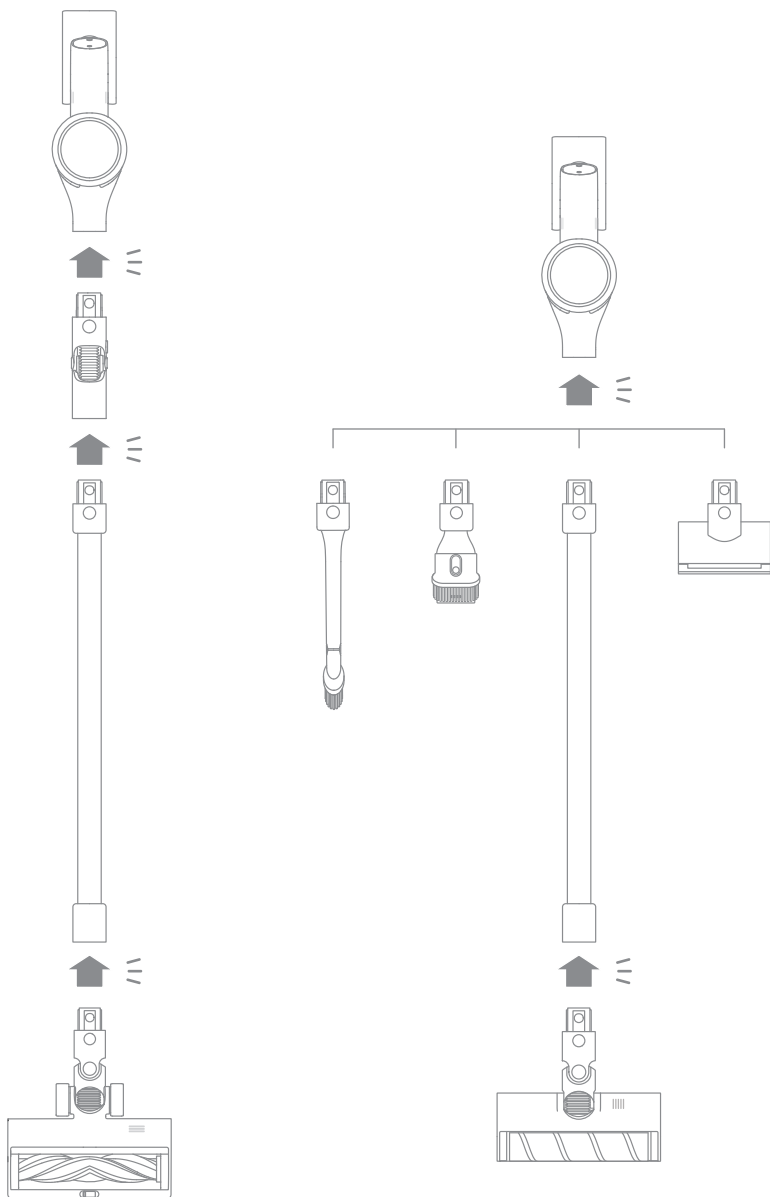
-  Przegrzanie akumulatora
-  Szczotka rolkowa zablokowana
-  Kanał powietrzny zablokowany
-  Błąd
-  Filtr niezainstalowany/Uptywa ważność filtra
-  Wskaźnik ładowania / niskiego poziomu naładowania akumulatora
  - Miga na czerwono: poziom naładowania akumulatora  $\leq 10\%$
  - Pulsuje na czerwono: poziom naładowania akumulatora  $\leq 10\%$  (ładowanie)
  - Pulsuje na zielono: poziom naładowania akumulatora  $> 10\%$  (ładowanie)



# Montaż

## Montaż odkurzacza

☰ Naciśnij

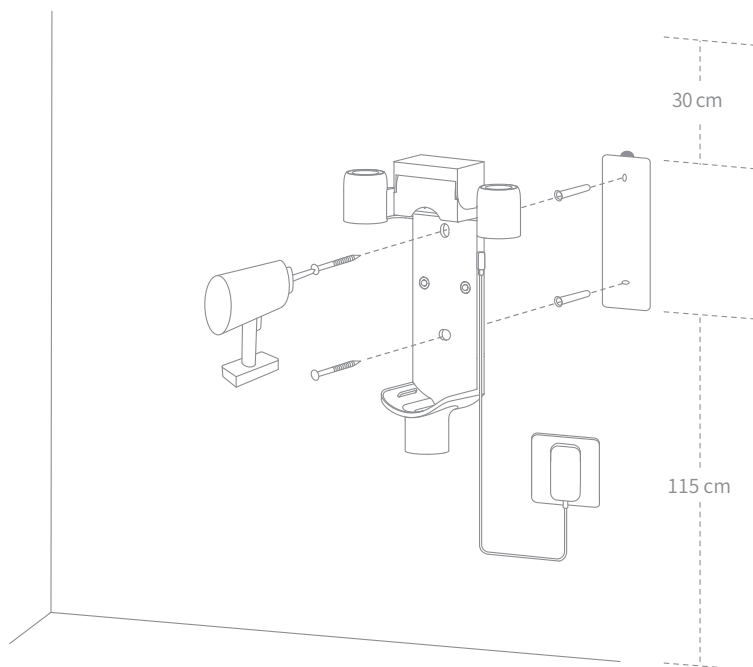


# Montaż

## Montaż wspornika stacji ładującej 2w1

1. Umieść naklejkę pozycjonującą na ścianie równoległe do podłoża. Zaleca się, aby dolna krawędź naklejki znajdowała się nie mniej niż 115 cm od podłoża.
2. Za pomocą wiertarki z wiertłem 8mm wywierć otwór w każdym oznaczeniu na naklejce pozycjonującej, a następnie włóż kołki rozporowe do każdego otworu.
3. Wyrównaj otwory na śruby wspornika do otworów w ścianie i przymocuj wspornik za pomocą dołączonych śrub.

(\*30cm: Zaleca się zostawienie wystarczająco dużo miejsca na wszelki wypadek, gdyby w przyszłości była konieczność dokupienia wymiennej akumulatora).



### Uwaga:

- Wspornik stacji ładującej 2w1 jest akcesorium opcjonalnym. Można zamontować go w zależności od potrzeb.
- Wspornik stacji ładującej powinien być zamontowany w chłodnym i suchym miejscu, z zasilaniem znajdującym się w pobliżu. Przed montażem upewnij się, że w przestrzeni bezpośrednio za nim nie ma przewodów elektrycznych ani rur.

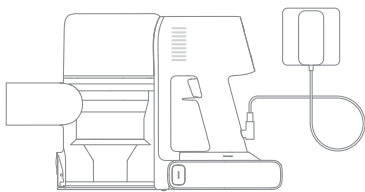
# Ładowanie

Uwaga:

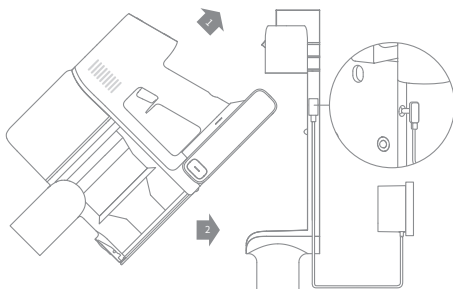
- Odkurzaczka nie można używać podczas ładowania.
- Pełne naładowanie akumulatora trwa około 4 godziny.
- Odkurzanie w trybie pełnej mocy przez dłuższy czas spowoduje nagrzanie akumulatora, co wydłuży czas ładowania. Przed ładowaniem zaleca się odstawienie odkurzacza na 30 min, aby obniżyć jego temperaturę.

## Sposoby ładowania

Ładowanie odkurzacza za pomocą zasilacza



Ładowanie odkurzacza w stacji ładującej



## Wyświetlanie stanu akumulatora

Ekran wyświetlacza

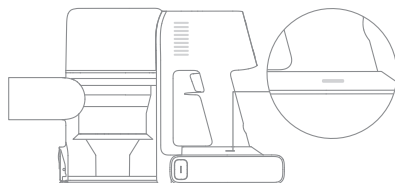
Liczba na ekranie wyświetlacza reprezentuje aktualny poziom naładowania akumulatora w procentach. Gdy liczba zmieni się na 100, akumulator jest w pełni naładowany



Wskaźnik poziomu akumulatora LED

Podczas ładowania, wskaźniki będą migać światłem białym. Po zakończeniu ładowania, wskaźniki będą świecić stałym światłem, białym.

Uwaga: Po pełnym naładowaniu odkurzacza wskaźnik stanu akumulatora wyłączy się po 5 minutach, a odkurzacz przejdzie w tryb oszczędzania energii.

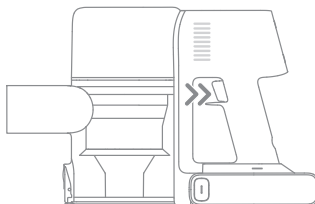


## Tryb czyszczenia

Odkurzacz posiada dwie metody pracy, które można wybrać w oparciu o własne potrzeby.

### Metoda 1: Tryb przerywanego czyszczenia

Naciśnij i przytrzymaj przycisk, aby uruchomić czyszczenie lub zwolnij go w celu natychmiastowego zatrzymania.



### Metoda 2: Tryb ciągłego czyszczenia (Blokada spustu)

Naciśnij Blokada spustu, aby przełączyć się na tryb ciągłego czyszczenia, a następnie naciśnij krótko przełącznik włączania/wyłączania, aby utrzymać odkurzacz w trybie ciągłego czyszczenia.

Używanie Blokada spustu uwalnia palce od nadwyrężenia spowodowanego trzymaniem przełącznika.



Uwaga:

- W tym trybie, wskaźnik blokady będzie świecił światłem stałym.
- Naciśnij ponownie Blokada spustu, aby zakończyć tryb czyszczenia ciągłego.

## Przełączanie mocy ssania

Wciśnij przycisk  w celu przełączania poziomów między audio i turbo.

W Trybie Turbo wszystkie ikony o kształcie wyświetlacza zaświecą się na biało.

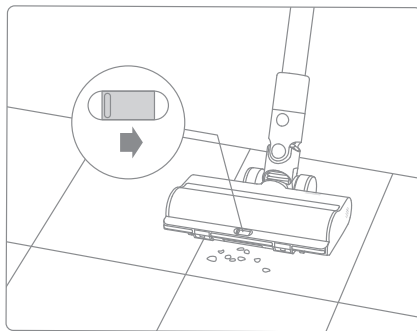
Tylko w Trybie Auto poziom ssania i kolor ikony o kształcie wentylatora poziomu kurzu zmieniają się wraz z ilością zassanego kurzu.

## Korzystanie z różnych akcesoriów

### Inteligentna szczotka wielopowierzchniowa

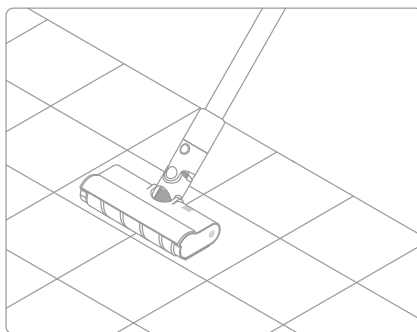
Uwaga:

- Inteligentna szczotka wielopowierzchniowa może być mocowana bezpośrednio do odkurzacza.
- Po uruchomieniu urządzenia przed szczotką rolkową automatycznie włączy się oświetlenie, co jest wygodne w użyciu.
- Nadaje się do odkurzania średnich i grubych dywanów, płytek i podłóg.
- Do wciągania dużych cząstek przez włączenie przełącznika na szczotkę, jak ziarna kawy, płatki kukurydziane itd.



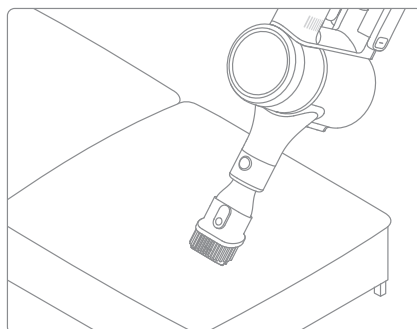
### Miękka szczotka rolkowa

Nadaje się do czyszczenia twardych powierzchni, jak marmur i podłogi.



### Narzędzie wielozadaniowe

Do odkurzania kurzu z zastan, klawiatur, sufitów, sof, wnętr pojazdów, stolików kawowych itp.

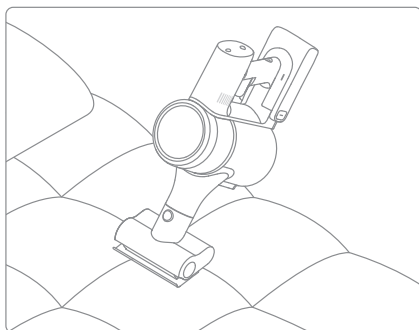


# Użytkowanie

## Zmotoryzowana mini szczotka

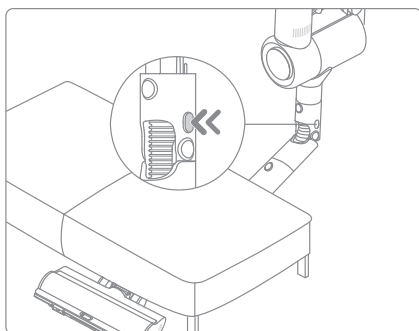
Do czyszczenia kurzu, sierści zwierząt domowych i innych uporczywych zanieczyszczeń z sof, pościeli i innych tkanin.

Uwaga: Nie zaleca się odkurzania na delikatnych powierzchniach, takich jak jedwab.



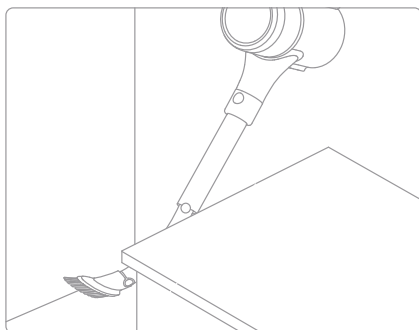
## Adapter elastyczny

Zginając i wydłużając pręt jednym kliknięciem można łatwo sięgnąć pod niskie meble, jak łóżko i sofa.



## Elastyczny przyrząd wielofunkcyjny

Dysza szczotkowa może być wyginana i schowana; bardziej elastyczna do odkurzania w szczelinach.



Uwaga:

- Jeśli jakikolwiek ruchomy przedmiot utknie, odkurzacz zostanie automatycznie wyłączony a czyszczenie zostanie kontynuowane po usunięciu wszystkich zablokowanych ciał obcych.
- Jeśli akumulator przegrzeje się, odkurzacz zostanie automatycznie wyłączony. Należy zaczekać, aż temperatura akumulatora powróci do normy, aby odkurzacz zaczął działać ponownie.



## Środki ostrożności

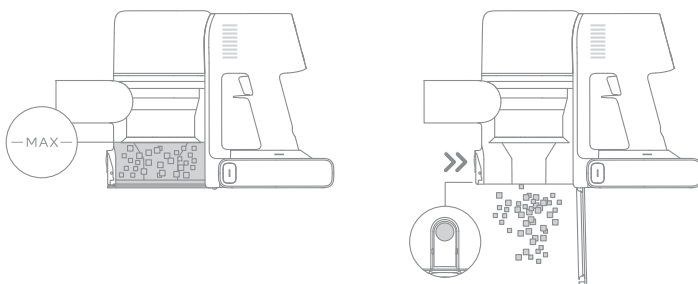
- Przed czyszczeniem należy upewnić się, że zasilacz jest odłączony. Należy uważać, aby nie uruchomić urządzenia.
- Należy zawsze używać oryginalnych części, aby gwarancja nie została unieważniona.
- Jeśli odkurzacz nie jest używany przez dłuższy czas, należy go w pełni naładować, odłączyć zasilanie i przechowywać w chłodnym miejscu o niskiej wilgotności, z dala od bezpośredniego światła słonecznego. Aby uniknąć nadmiernego rozładowywania akumulatora, należy ładować odkurzacz co najmniej raz na 3 miesiące.

## Czyszczenie odkurzacza

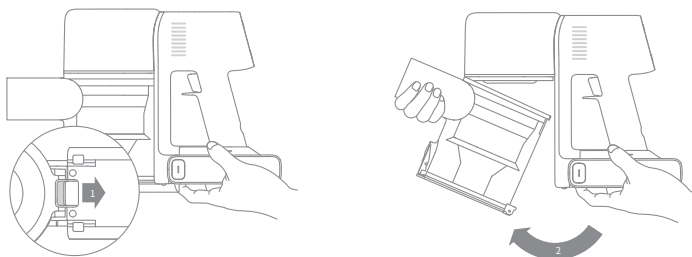
Należy używać miękkiej, suchej ściereczki.

## Czyszczenie pojemnika na kurz, filtra wstępnego i zespołu cyklonów

1. Należy nacisnąć przycisk zwalniania dolnej pokrywy pojemnika na kurz, a następnie opróżnić jego zawartość.



2. Należy wcisnąć przełącznik zwalniania pojemnika na kurz w kierunku wskazanym przez strzałkę, a następnie delikatnie wyjąć pojemnik na kurz z odkurzacza.

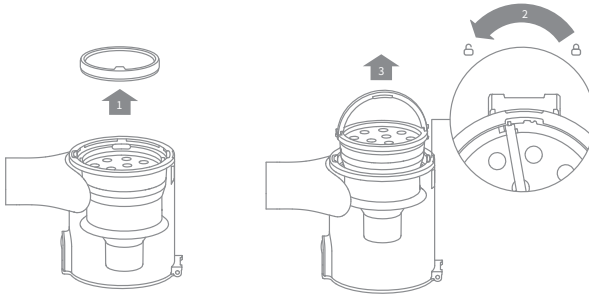


Uwaga:

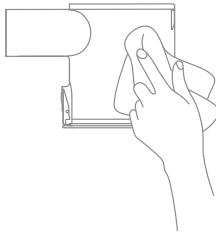
- Skuteczność odkurzacza zostanie zmniejszona, jeśli pojemnik na kurz zostanie napełniony do oznaczenia "MAX". Aby przywrócić pierwotną wydajność, należy opróżnić pojemnik na kurz.
- Przed opróżnieniem pojemnika na kurz należy upewnić się, że odkurzacz jest odłączony od zasilania. Nie należy naciskać przycisku zasilania.

# Pielęgnacja i konserwacja

3. W pierwszej kolejności należy wyjąć filtr wstępny, a następnie unieść uchwyt zespołu cyklonów i obrócić w lewo, aż się zatrzyma. Następnie należy pociągnąć, aby wyjąć zespół cyklonów.



4. Należy przetrzeć pojemnik na kurz miękką, wilgotną szmatką. Należy upewnić się, że nadmiar wody został wyciśnięty ze szmatki.



Aby zmniejszyć ryzyko porażenia prądem elektrycznym, nie należy optukiwać pojemnika na kurz wodą.

5. Należy optukać pod bieżącą wodą zespół cyklonów oraz filtr wstępny. Po myciu, należy pozostawić do całkowitego wyschnięcia przez co najmniej 24 godziny.



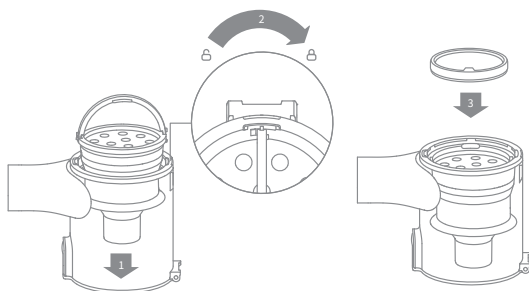
Zespół cyklonów

Filtr wstępny

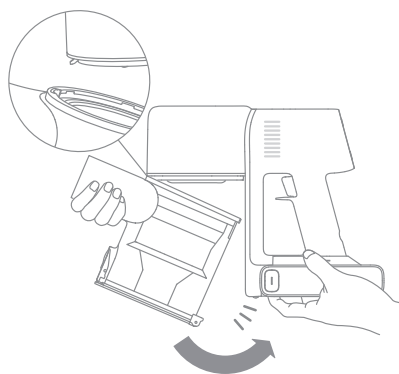
Uwaga: Zaleca się czyszczenie filtra wstępnego przynajmniej raz na 3 miesiące, a zespołu cyklonów przynajmniej raz na 6 miesięcy.

## Montaż pojemnika na kurz, filtra wstępnego i zespołu cyklonów

1. Należy włożyć zespół cyklonów pionowo do pojemnika na kurz i upewnić się, że uchwyt zespołu cyklonów jest na równi z wgłębieniem po lewej stronie pojemnika na kurz. Należy obrócić uchwyt zgodnie z ruchem wskazówek zegara, aż się zablokuje, a następnie obrócić uchwyt w dół.
2. Należy umieścić filtr wstępny z jego przednią stroną skierowaną do góry w zespole cyklonów.



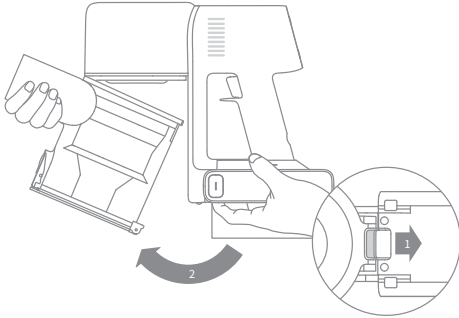
3. Należy lekko przechylić pojemnik na kurz, aby jego szczelina była wyrównana z zatrząskiem na odkurzaczu. Następnie należy delikatnie wsunąć pojemnik na kurz, aż zatrząśnie się na właściwym miejscu.



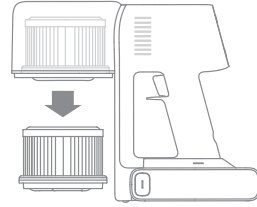
# Pielęgnacja i konserwacja

## Czyszczenie filtra

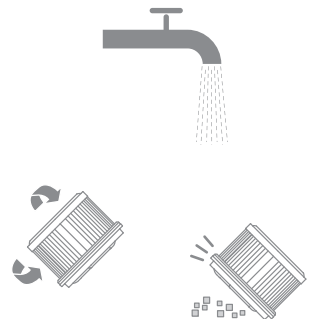
1. Należy zdjąć pojemnik na kurz, jak pokazano na ilustracji.



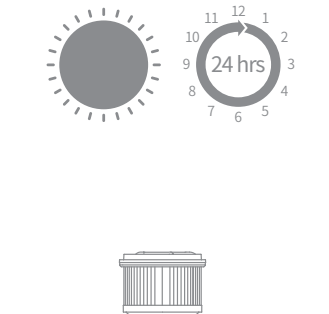
2. Należy wyjąć filtr z odkurzacza, pociągając go w dół w kierunku pokazanym na ilustracji.



3. Należy oczyścić filtr czystą wodą. Należy obracać filtr o 360°, aby dokładnie usunąć wszelki kurz. Następnie należy postukać lekko w filtr kilka razy, aby usunąć nadmiar brudu.



4. Należy pozostawić do wyschnięcia na 24 godziny.

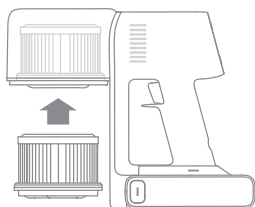


### Uwaga:

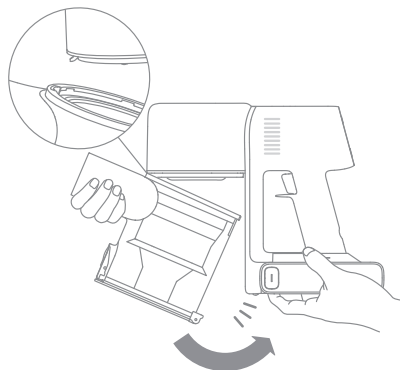
- Zaleca się czyszczenie filtra raz na 4-6 miesięcy.
- Do mycia filtra należy używać wyłącznie czystej wody. Nie należy używać detergentów.
- Nie należy próbować czyścić filtra szczotką ani palcem.

## Montaż filtra

1. Włóż filtr do odkurzacza i delikatnie dociśnij, tak, jak pokazano na ilustracji poniżej.

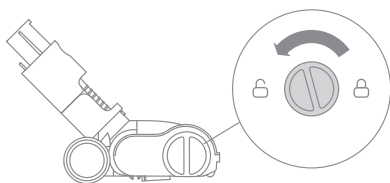


2. Ponownie zamontuj pojemnik na kurz.

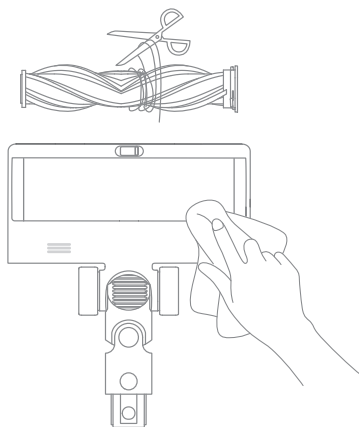


## Czyszczenie inteligentnej szczotki wielopowierzchniowej

1. Przekręć blokadę w kierunku przeciwnym do ruchu wskazówek zegara, aż się zatrzyma, a następnie wyjmij wałek ze szczotki rolkowej.

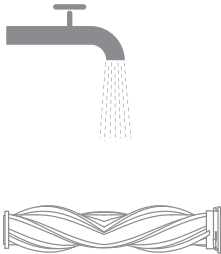


2. Za pomocą nożyczek przetnij włosy i włókna, które utknęły na wątku szczotki. Wytrzyj kurz z nacięcia i przezroczystej pokrywy suchą szmatką lub papierowym ręcznikiem. Dokładnie wysusz przed użyciem.

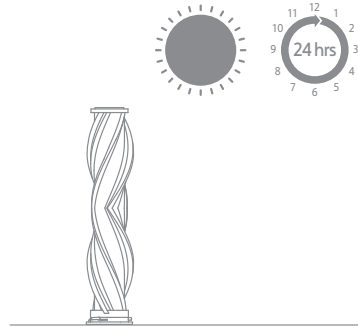


# Pielęgnacja i konserwacja

3. Jeśli zabrudzony, przepłucz wałek szczotki czystą wodą, aż będzie czysty.

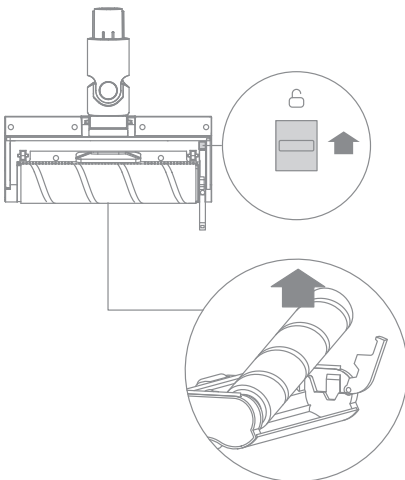


4. Postaw wałek szczotki w pozycji pionowej na co najmniej 24 godziny, aż do całkowitego wyschnięcia.

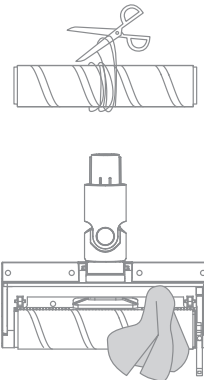


## Czyszczenie miękkiej szczotki rolkowej

1. Jak pokazano na rysunku, wciśnij przycisk zwalniania wałka szczotki w celu wyjęcia go ze szczeliny.

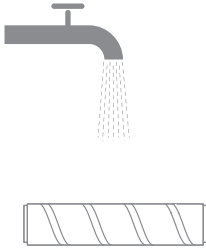


2. Za pomocą nożyczek odetnij włosy i włókna, które utkwily na wałku szczotki i kółkach. Suchą ściereczką lub ręcznikiem papierowym zetrzyj kurz z nacięcia i przezroczyste osłony. Starannie wysusz przed użyciem.

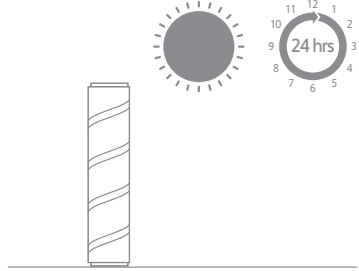


# Pielęgnacja i konserwacja

3. Jeśli zabrudzony, przepłucz wałek szczotki czystą wodą, aż będzie czysty.

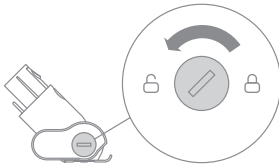


4. Postaw wałek szczotki w pozycji pionowej na co najmniej 24 godziny, aż do całkowitego wyschnięcia.



## Czyszczenie zmotoryzowanej mini szczotki

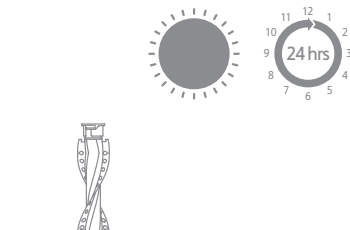
1. Użyć pokrętki, jak pokazano na rysunku, aby obrócić blokadę w lewo, aż usłyszysz kliknięcie.



2. Po odblokowaniu zmotoryzowanej mini-szczotki, wyjmij wałek szczotki, a następnie optucz i wyczyść go.



3. Postaw wałek szczotki w pozycji pionowej w dobrze wentylowanym miejscu przez co najmniej 24 godziny, aż do całkowitego wyschnięcia.



4. Po wyschnięciu wałka szczotki zamontuj go ponownie, wykonując czynności demontażu w odwrotnej kolejności.

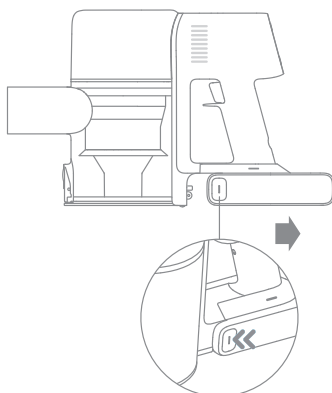


# Pielęgnacja i konserwacja

## Akumulator

Odkurzacz zawiera wymienny akumulator litowo-jonowy, który ma ograniczoną liczbę cykli ładowania. Po dłuższym czasie użytkowania akumulator może zostać naładowany. Jeśli tak się stanie, oznacza to, że akumulator osiągnął koniec żywotności i wymaga wymiany.

1. Naciśnij przycisk zwalniania akumulatora i przesuń akumulator w prawo, w celu wyjęcia go, tak, jak pokazano na ilustracji poniżej.
2. Zamonuj nowy akumulator.





# Dane techniczne

<b>Odkurzacz</b>			
Model	VTV97A	Napięcie ładowania	34 V ===
Moc znamionowa	570 W	Napięcie znamionowe	29,6 V ===
Czas ładowania	Okolo. 4 godziny		
<b>Inteligentna szczotka wielopowierzchniowa</b>			
Model	VMB9		
Moc znamionowa	40 W	Napięcie znamionowe	25,2 V ===
<b>Miękka szczotka rolkowa</b>			
Model	ASF4		
Moc znamionowa	40 W	Napięcie znamionowe	25,2 V ===
<b>Zmotoryzowana mini szczotka</b>			
Model	VMM4		
Moc znamionowa	20 W	Napięcie znamionowe	25,2 V ===
<b>Zasilacz</b>			
Model	ZD024M340090EU	Średnia sprawność podczas pracy	87,01%
Wejście	100 - 240 V ~ 50-60 Hz, 0,8 A max	Wydajność przy niskim obciążeniu (10%)	77,01%
Wyjście	34 V === 0,9 A	Pobór mocy bez obciążenia	0,1 W
<b>Akumulator litowo-jonowy</b>			
Model	P2033-8S1P-GYA		
Napięcie znamionowe	29,6 V ===	Pojemność nominalna	2900 mAh
Prąd	81,4 Wh	Pojemność znamionowa	2750 mAh

Akumulator litowo-jonowy zawiera substancje, które są niebezpieczne dla środowiska. Przed utylizowaniem odkurzacza należy wyjąć akumulator, a następnie wyrzucić go lub poddać recyklingowi zgodnie z lokalnymi przepisami i regulacjami kraju lub regionu, w których jest używany.

# Najczęściej zadawane pytania

Jeśli odkurzacz nie działa prawidłowo, należy zapoznać się z poniższą tabelą rozwiązywania problemów.

Błędy	Możliwe przyczyny	Rozwiązania
Odkurzacz nie działa.	Odkurzacz jest rozładowany lub poziom akumulatora jest niski.	Należy naładować akumulator w pełni i kontynuować użytkowanie.
	Tryb ochrony przed przegrzaniem został wywołany blokadą.	Należy oczyścić otwory ssące lub kanał powietrzny. Poczekaj aż temperatura urządzenia spadnie i uruchom je ponownie.
	Otwór ssący lub kanał powietrzny jest zablokowany.	Należy usunąć wszelkie ciała obce z otworu ssącego lub kanału powietrznego.
Słaba siła ssania.	Pojemnik na kurz jest pełny i/ lub filtr jest zatkany.	Należy opróżnić pojemnik na kurz i wyczyścić filtr.
	Akcesoria są zablokowane.	Należy oczyścić akcesoria z wszelkich ciał obcych.
Silnik wydaje dziwny dźwięk.	Nastąpiło zatkanie głównego otworu ssącego lub przedłużenia.	Należy oczyścić główny otwór ssący lub przedłużenie z wszelkich ciał obcych.
Po włączeniu odkurzacza pierwszy wskaźnik zapalił się na czerwono.	Akumulator jest uszkodzony.	Proszę skontaktować się z działem obsługi posprzedażowej.
W czasie ładowania pierwszy wskaźnik zapalił się na czerwono.	Zasilacz jest niewłaściwy.	Należy używać wyłącznic oryginalnej ładowarki w celu ładowania odkurzacza.
Wskaźnik akumulatora nie świeci się w czasie ładowania.	Zasilacz nie jest podłączony do odkurzacza.	Upewnij się, że zasilacz jest prawidłowo podłączony.
	Akumulator jest w pełni naładowany i przeszedł w tryb uśpienia.	Odkurzacz może być normalnie użytkowany.
	Jeśli po wykluczeniu powyższych dwóch możliwości problem nadal występuje, proszę skontaktować się z biurem obsługi posprzedażowej.	
Odkurzacz łąduje się powoli.	Temperatura akumulatora jest za niska lub za wysoka.	Należy zaczekać i kontynuować użytkowanie, kiedy temperatura akumulatora wróci do normy.
LED inteligentnej szczotki wielopowierzchniowej nie działają.	Światła LED są uszkodzone.	Proszę skontaktować się z biurem obsługi posprzedażowej.

# Rozwiązywanie problemów

Jeśli odkurzacz nie działa prawidłowo, na ekranie pojawi się komunikat o błędzie. Należy zapoznać się z poniższą tabelą rozwiązywania problemów, aby znaleźć rozwiązanie.

Ikona błędu	Status	Komunikat błędu	Rozwiązania
	Błyskający czerwony	Alert wysokiej temperatury	Należy poczekać i kontynuować użytkowanie, gdy temperatura silnika wróci do normy.
	Błyskający pomarańczowy	Szczotka rolkowa zablokowana	Patrz rozdział podręcznika obsługi [Czyszczenie inteligentnej szczotki wielopowierzchniowej], jak czyścić materiał włóknisty i włosy owinięte wokół wałka.
	Błyskający pomarańczowy	Kanał powietrzny zablokowany	Sprawdź, czy pojemnik na kurz, pręt z włókna węglowego i szczotka inteligentna nie są zatkane.
	Błyskający pomarańczowy	Upływa ważność filtra	Wymień filtr na czas. Wymieniwszy filtr wciśnij i przytrzymaj blokadę przetącznika spustowego przez 3 sekundy, aby resetować filtr.
	Ciągły pomarańczowy	Filtr niezainstalowany	Zadbaj o poprawne zainstalowanie filtra i filtra wstępnego.
	Ciągły czerwony	Błąd	Proszę skontaktować się z biurem obsługi posprzedażowej.
Jeżeli pojawia jeden z kodów błędów od E0 do E4 na wyświetlaczu, skontaktuj się z zespołem serwisu posprzedażowego w kwestii naprawy.			

## Informacje dot. utylizacji w UE (WEEE)



Wszystkie produkty oznaczone tym symbolem są uznane za odpady sprzętu elektrycznego i elektronicznego (WEEE zgodnie z Dyrektywą 2012/19/UE) i nie mogą być wyrzucane po zakończeniu okresu użytkowania wraz z innymi odpadami. W celu ochrony zdrowia ludzi oraz środowiska naturalnego należy przekazać zużyty sprzęt do wyznaczonego punktu utylizacji wyznaczonego przez instytucje rządowe lub lokalne. Prawidłowe usunięcie zużytego produktu pomaga w zapobieganiu potencjalnym negatywnym skutkom oddziaływania na środowisko naturalne i zdrowie ludzi. Więcej informacji można uzyskać w urzędzie lokalnym lub od instalatora.

# Veiligheidsinstructies

Om ongelukken, waaronder elektrische schokken of brand, door onjuist gebruik te voorkomen, dient u deze handleiding zorgvuldig door te lezen en deze voor toekomstig gebruik te bewaren.

## Waarschuwing

- Dit product mag niet zonder toezicht van een ouder of voogd worden gebruikt door kinderen jonger dan 8 jaar of personen met fysieke, zintuigelijke of geestelijke tekortkomingen of met beperkte ervaring of kennis, om een veilige bediening te waarborgen en risico's te vermijden. Schoonmaken en onderhoud mogen niet door kinderen worden uitgevoerd zonder toezicht.
- Deze stofzuiger is geen speelgoed. Kinderen mogen niet met dit product spelen en het niet gebruiken. Wees voorzichtig als u de stofzuiger in de buurt van kinderen gebruikt. Laat kinderen de stofzuiger niet schoonmaken of onderhouden zonder dat ze onder toezicht van een ouder of voogd staan.
- Gebruik de stofzuiger niet buiten of op natte oppervlakken. Gebruik de stofzuiger alleen binnen, op droge oppervlakken. Raak de stekker of onderdelen van de stofzuiger nooit met natte handen aan.
- Om het risico op brand, explosies of verwondingen te verkleinen dient u er vóór gebruik op te letten dat de lithiumbatterij en de oplader onbeschadigd zijn. Gebruik de stofzuiger niet als de lithiumbatterij of de oplader beschadigd is.
- De slimme borstel voor meerdere oppervlakken, de gemotoriseerde miniborstel, de batterij, de koolstofvezelstang en de stofzuiger zijn elektrisch geleidend en mogen niet in water of een andere vloeistof worden ondergedompeld. Droog na het reinigen altijd alle filters.
- Schakel de stofzuiger uit voordat u de slimme borstel voor meerdere oppervlakken reinigt, om letsel door bewegende onderdelen te voorkomen. De slimme borstel voor meerdere oppervlakken, het stofreservoir en het filter moeten allemaal goed geïnstalleerd zijn voordat u de stofzuiger gebruikt.
- Gebruik alleen de originele oplader. Gebruik nooit een niet-originele oplader, omdat dit ervoor kan zorgen dat de lithiumbatterij in brand vliegt.
- Gebruik de stofzuiger niet om ontvlambare of brandbare vloeistoffen zoals benzine, bleekmiddel, ammoniak, ontstoppers of andere vloeistoffen mee op te zuigen.
- Gebruik de stofzuiger niet om scherpe of harde voorwerpen zoals glas, spijkers, schroeven of munten mee op te zuigen, dit kan het apparaat beschadigen. Gebruik de stofzuiger niet om gipsplaatdeeltjes, as uit een open haard of brandende materialen zoals kolen, sigaretten of lucifers mee op te zuigen.
- Controleer het te reinigen oppervlak voordat u begint. Om te voorkomen dat openingen verstopt raken dient u papier, plastic, doekjes of scherpe voorwerpen (zoals glas, spijkers, schroeven, munten, etc...) of ieder voorwerp dat groter is dan de openingen, te verwijderen.
- Houd haar, losse kleding, vingers en andere lichaamsdelen uit de buurt van de openingen in de stofzuiger en bewegende onderdelen. Richt het verlengstuk, de staaf of het gereedschap niet op uw ogen of oren en stop ze niet in uw mond.

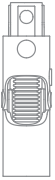
- Steek geen voorwerpen in de openingen van de stofzuiger. Gebruik de stofzuiger niet als er een opening geblokkeerd is. Houd de openingen vrij van stof, pluizen, haar of andere materialen die de luchtstroom kunnen verminderen.
- Laat de stofzuiger niet tegen een stoel, tafel of andere onstabiele voorwerpen rusten, dit kan beschadigingen aan het toestel of verwondingen veroorzaken. Als de stofzuiger beschadigd raakt doordat deze is gevallen of een storing heeft, neem dan contact op met onze servicedesk. Probeer nooit zelf het apparaat te demonteren.
- Alle instructies in de handleiding t.a.v. het opladen van de batterij moeten strict gevolgd worden. Het niet opladen van de batterij binnen het aangegeven temperatuurbereik kan de batterij beschadigen.
- Gebruik alleen accessoires en vervangingsonderdelen die door de fabrikant worden aanbevolen.
- Wees extra voorzichtig bij het stofzuigen van de trap.
- Zorg dat de stekker niet in het stopcontact zit als de stofzuiger lange tijd niet gebruikt wordt, en voordat er onderhoudswerkzaamheden of reparaties aan verricht worden.
- Gebruik en installeer dit product niet buiten, in badkamers of in de buurt van een zwembad, en laad het daar ook niet op.
- Waarschuwing voor brandgevaar: doe geen geurstoffen in het filter van de stofzuiger. Dit soort producten bevatten brandbare chemicaliën die ervoor kunnen zorgen dat de stofzuiger in brand vliegt.
- Gebruik alleen een originele oplader (Model ZD024M340090EU). Zo niet, dan kan hierdoor de lithiumbatterij in brand vliegen.
- Gebruik alleen het aangegeven batterijtype (Model P2033-8S1P-GYA). Zo niet, dan kan hierdoor de lithiumbatterij in brand vliegen.
- Als er batterijmateriaal vrijkomt, verwijdert u personeel uit de omgeving totdat de batterijen zijn afgekoeld en de dampen zijn verdwenen.
- Zorg voor maximale ventilatie om gevaarlijke gassen af te voeren en vermijd contact met huid en ogen of inademing van dampen.
- Verwijder gemorste vloeistof met een absorberend middel en verbrand het afval.
- Gebruik en berg niet op in extreem hete of koude ruimtes (lager dan 0°C/32°F of hoger dan 40°C/104°F). Laad de snoerloze stofzuiger alleen op in temperaturen boven 0°C/32°F en onder 40°C/104°F.
- Dit product is alleen voor thuisgebruik bedoeld.

We Dreame Trading (Tianjin) Co., Ltd. verklaart hierbij, dat dit apparaat in overeenstemming is met de betreffende Richtlijnen en Europese Normen en herzieningen hieraan. De volledige tekst van de EU-conformiteitsverklaring is beschikbaar via het volgende internetadres: <https://global.dreametech.com>

Voor een gedetailleerde digitale handleiding zie <https://global.dreametech.com/pages/user-manuals-and-faqs>

# Productoverzicht

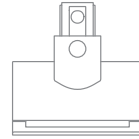
## Accessoires



Flexibele adapter



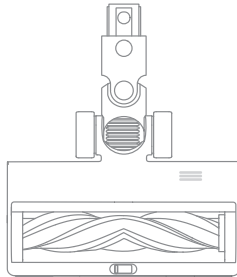
Breed combinatiegereedschap



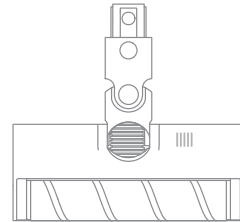
Gemotoriseerde miniborstel



Koolstofvezelstang



Slimme multi-opervlak borstel



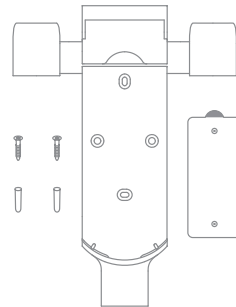
Zachte rolborstel



Flexibel combinatiegereedschap



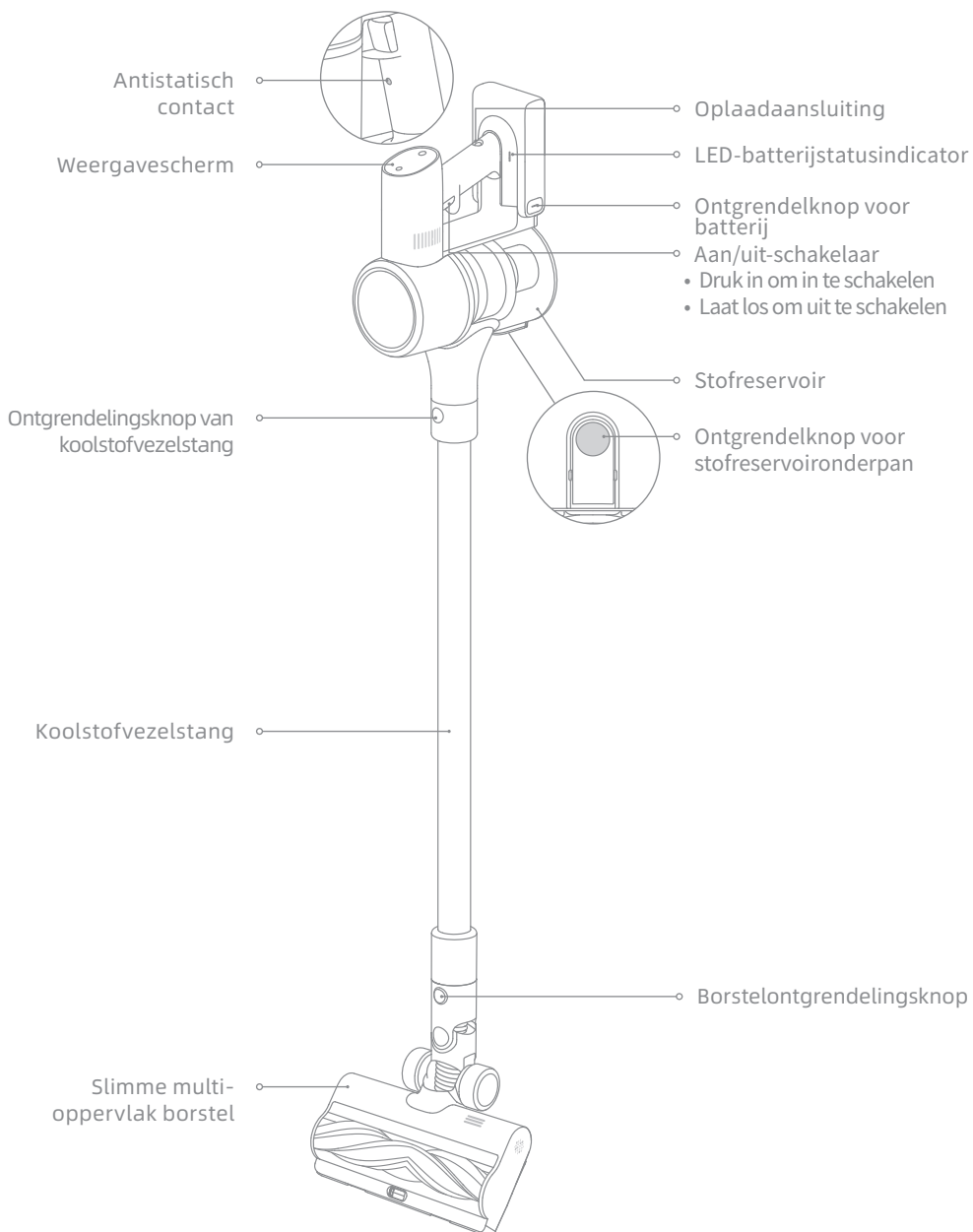
Oplader



2-in-1 oplaad- en opbergbeugel (inclusief 2 schroeven, 2 pluggen en een sjabloonsticker)

Opmerking: de afbeeldingen in deze handleiding zijn slechts ter illustratie. Het werkelijke product kan er anders uitzien.

## Namen van onderdelen

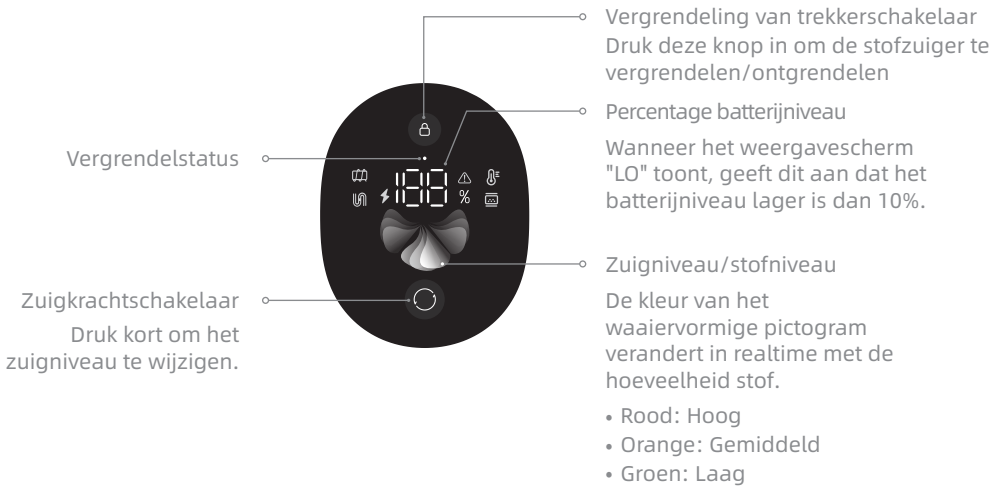




## Introductie van het scherm

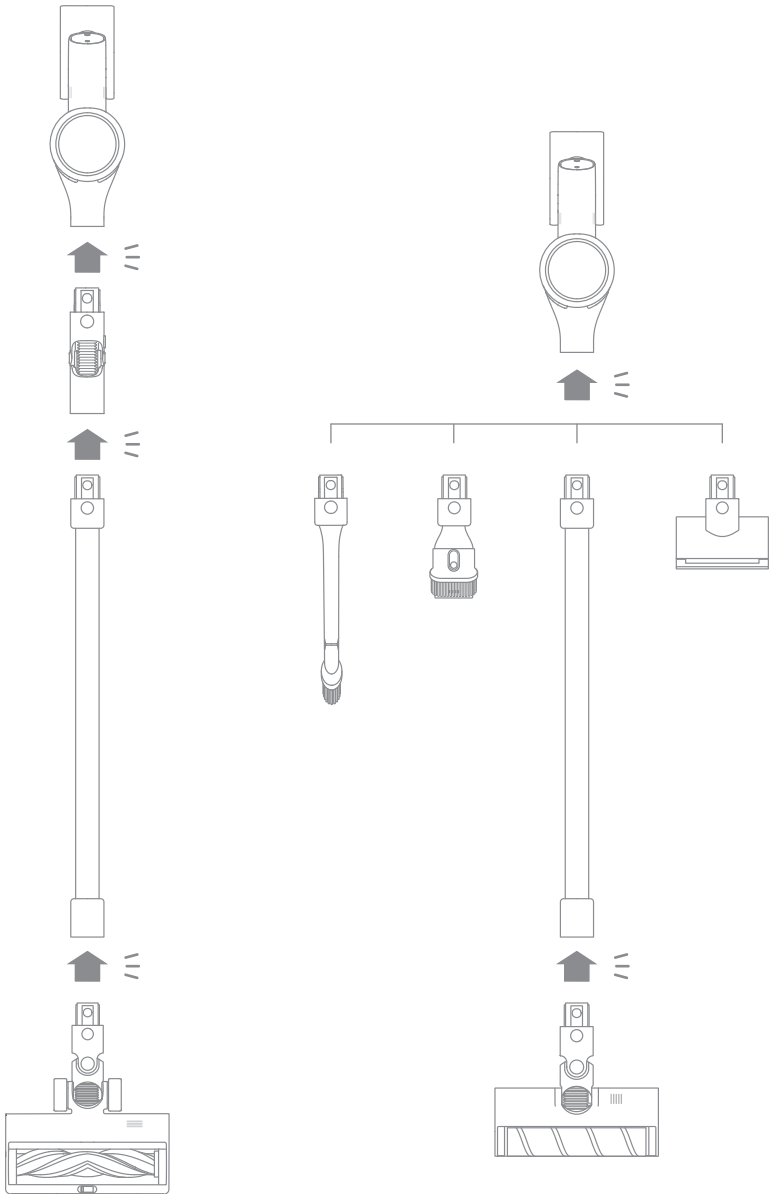
-  Waarschuwing voor hoge temperaturen
-  Rolborstel zit vast
-  Luchtinlaat verstopt
-  Fout
-  Filter niet geïnstalleerd/Filter is uitgewerkt
-  Indicator voor opladen/laag batterijniveau

- Knippert rood: Batterijniveau  $\leq$  10%
- Pulserend rood: Batterijniveau  $\leq$  10% (v)
- Pulserend groen: Batterijniveau  $>$  10% (v)



## Installatieschema voor stofzuiger

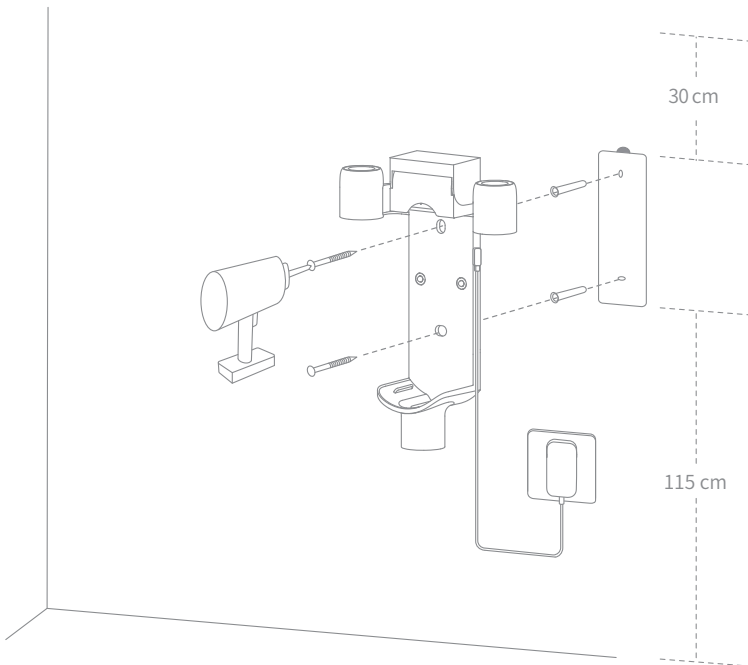
☰ Klik vast



## Installatieschema voor 2-in-1 oplaad- en opbergbeugel

1. De onderkant van de sjabloonsticker moet waterpas staan, en ten minste 115 cm boven de grond zitten. Aan de bovenzijde moet tenminste 30 cm\* vrije ruimte zijn.
2. Gebruik een elektrische boormachine met een boor van 8 mm dikte en boor een gat op de plek van iedere markering op het sjabloon, en doe de pluggen in de gaten.
3. Plaats de beugel met de gaten over de gaten in de muur. Draai de schroeven in de muur om de beugel vast te zetten.

(\*30 cm: houd voldoende ruimte vrij voor als u in de toekomst de uitneembare batterij wilt kopen).



### Opmerking:

- De 2-in-1 oplaad- en opbergbeugel is een optioneel accessoire. U hoeft deze niet persé te installeren.
- De 2-in-1 oplaad- en opbergbeugel moet worden gemonteerd op een koele, droge plaats in de buurt van een stopcontact. Controleer vóór de montage of er zich geen elektrische draden of leidingen bevinden in de ruimte direct achter de plek waar de beugel wordt geïnstalleerd.

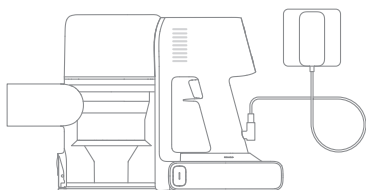
# Opladen

Opmerking:

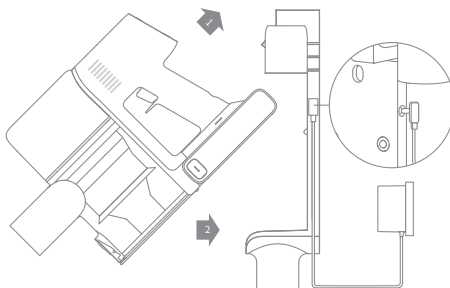
- Laad de stofzuiger volledig op voordat u deze vóór het eerst gebruikt.
- Volledig opladen duurt ongeveer 4 uur.
- Van het langdurig gebruik van de Turbomodus wordt de batterij erg warm, dat verhoogt de oplaadtijd. Laat de stofzuiger 30 minuten afkoelen voordat u het oplaadt.

## Oplaadmethoden

Opladen van de stofzuiger met de oplader



Opladen van de stofzuiger via de oplaadbeugel



## Batterijstatusweergave

Weergavescherm

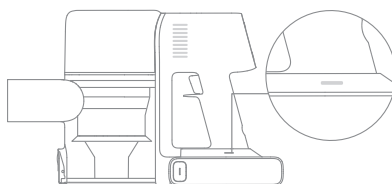
Het getal op het scherm geeft het huidige batterijniveau weer als percentage tijdens het opladen. Als het getal 100 is geeft dit aan de de batterij volledig is opgeladen.



LED-batterijstatusindicator

Tijdens het opladen knipperen de drie indicatielampjes en worden dan na elkaar constant helder, afhankelijk van de toestand van de batterij. Als het opladen klaar is, branden de drie indicatielampjes continue.

Opmerking: als de stofzuiger volledig is opgeladen gaan de indicatielampjes na 5 minuten uit, en schakelt de stofzuiger in de energiebesparingsmodus.



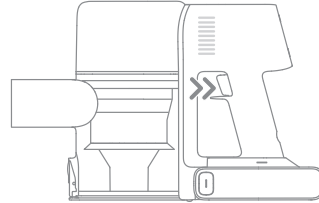
# Hoe te gebruiken

## Werkmethoden

Er zijn twee werkmethode voor de stofzuiger, die naar believen kunnen worden gekozen.

### Methode 1: niet-continue zuigmodus

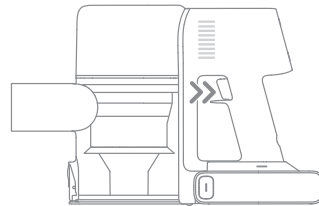
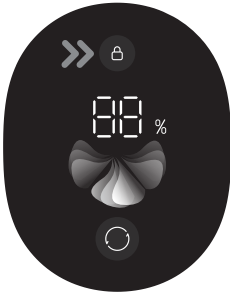
Houd de knop op de stofzuiger ingedrukt om te zuigen. Bij loslaten van de knop stopt het zuigen onmiddellijk.



### Methode 2: continue zuigmodus (Vergrendeling van trekkerschakelaar)

Klik op de vergrendeling van de trekkerschakelaar om over te schakelen naar de continue reinigingsmodus wanneer de stofzuiger in werking is. Laat vervolgens de Aan/Uit-schakelaar los om de stofzuiger in de continue reinigingsmodus te schakelen.

Gebruik de vergrendeling van de trekkerschakelaar om uw vingers vrij te maken en te voorkomen dat uw vingers moe worden van het vasthouden van de schakelaar.



Opmerking:

- In deze modus zal de vergrendelingsindicator constant branden.
- Klik nogmaals op de vergrendeling van de trekkerschakelaar om de continue reinigingsmodus te verlaten.

## Zuigkracht aanpassen

Druk op de knop  om tussen de niveaus auto en turbo te schakelen.

In de Turbo-modus lichten alle waaivormige pictogrammen wit op.

Alleen in de automatische modus veranderen het zuigniveau en de kleur van het waaivormige pictogram met de hoeveelheid opgezogen stof.

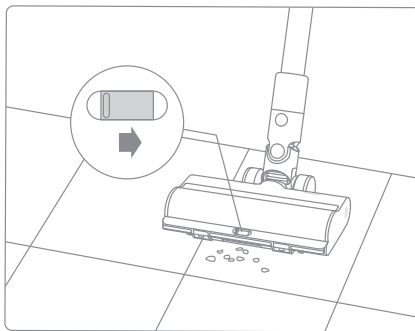
# Hoe te gebruiken

## Het gebruik van de diverse accessoires

### Slimme multi-oppervlak borstel

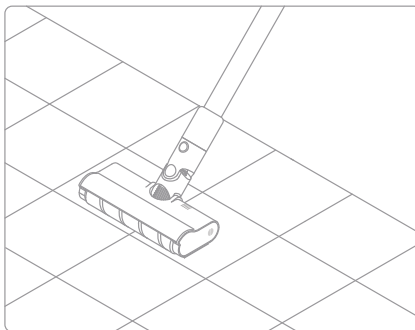
Opmerking:

- De slimme borstel voor meerdere oppervlakken kan rechtstreeks op de stofzuiger worden bevestigd.
- Wanneer het apparaat start, gaan de lampjes voor de borstelrol automatisch branden, wat handig is voor het gebruik.
- Voor het zuigen van vloeren van marmer, tegels en laagpolig tapijt.
- Zet de schakelaar voor het opzuigen van grote deeltjes aan om grote deeltjes, zoals koffiebonen, cornflakes, enz. op te zuigen.



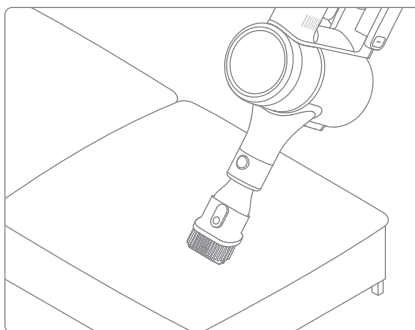
### Zachte rolborstel

Geschikt voor het reinigen van harde vloeren zoals marmer- en tegelvloeren.



### Breed combinatiegereedschap

Voor het zuigen van gordijnen, toetsenborden, plafonds, banken, voertuiginterieurs, koffietafels e.d.

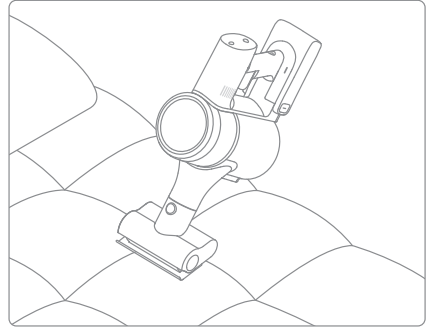


# Hoe te gebruiken

## Gemotoriseerde miniborstel

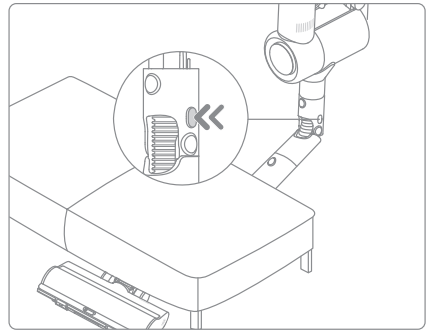
Voor het opzuigen van vuil, huisdierenhaar en ander moeilijk te verwijderen vuil vanaf banken, beddegoed en andere stoffen oppervlakken.

Opmerking: het is niet aan te raden de stofzuiger te gebruiken op kwetsbare oppervlakken zoals zijde.



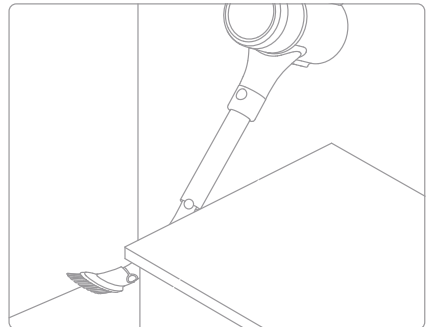
## Flexibele adapter

Door de stang met één klik te buigen en uit te schuiven kunt u gemakkelijk onder laagliggende meubels, zoals bed en bank, komen.



## Flexibel combinatiegereedschap

Buigbare en intrekbare borstelmondstuk, flexibeler om in nauwe openingen te stofzuigen.



Opmerking:

- Als een draaiend onderdeel vast komt te zitten kan de stofzuiger automatisch uitschakelen. Verwijder vastzittende vreemde voorwerpen en begin opnieuw.
- Als de batterij oververhit raakt, schakelt de stofzuiger zich automatisch uit. Wacht totdat de batterij is afgekoeld en begin opnieuw.

# Zorg en onderhoud

## Tips:

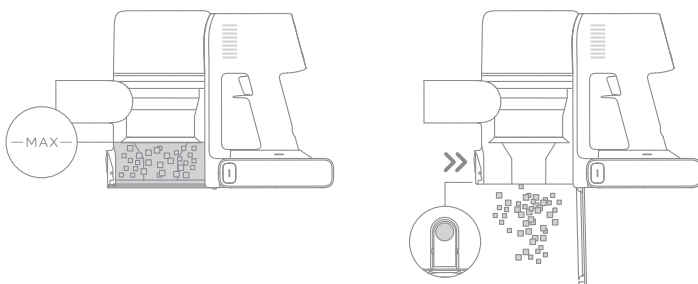
- Gebruik altijd originele onderdelen zodat uw garantie niet verloopt.
- Als het filter of de mond verstopt raakt gaat de stofzuiger uit, kort nadat deze is aangezet. Haal de rommel uit de buis en begin opnieuw.
- Als de stofzuiger een lange periode niet gebruikt wordt, trek dan de stekker van de oplader uit het stopcontact en bewaar deze op een koele plaats met een lage vochtigheid, en niet in direct zonlicht. Om overontlading van de batterij te voorkomen dient u de stofzuiger tenminste iedere drie maanden op te laden.

## De stofzuiger schoonmaken

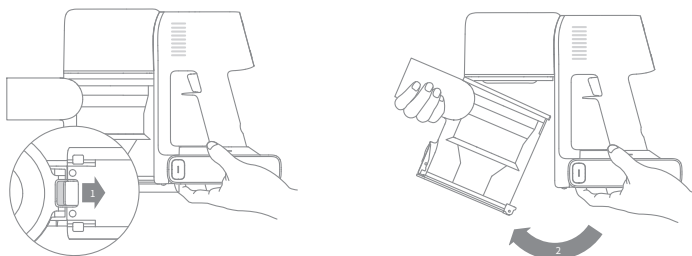
Veeg de stofzuiger af met een zachte, droge doek.

## Het stofreservoir, het voorfilter en de cycloonbehuizing schoonmaken

1. Druk op de ontgrendelknop v bodempan an op het stofreservoir en maak deze leeg.



2. Druk de ontgrendeling van het stofreservoir in de richting van de pijl, en verwijder het stofreservoir voorzichtig uit de stofzuiger.



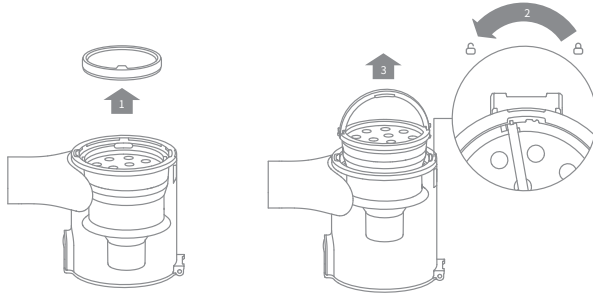
### Opmerking:

- De stofzuiger zuigt minder goed als het stofreservoir is gevuld tot de "MAX"-markering. Om de werking weer te verbeteren dient u tijdig het stofreservoir te legen.
- Voordat u het reservoir leegmaakt, dient u de stekker uit het stopcontact te trekken, en de aan/uit-knop niet in te drukken.

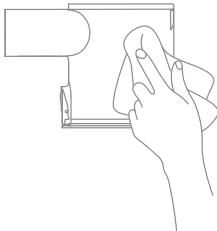


# Zorg en onderhoud

3. Verwijder eerst het voorfilter, trek aan de hendel op de cycloonbehuizing en draai deze naar links totdat deze niet verder kan, trek vervolgens de cycloonbehuizing omhoog.



4. Veeg de stofbak af met een zachte, natte doek. Let op het uitwringen van de doek voor gebruik.



Spoel de stofbak niet met water af om het risico op elektrische schokken te verminderen.

5. Spoel de cycloonbehuizing en het voorfilter af totdat ze schoon zijn. Laat ze tenminste 24 uur drogen.



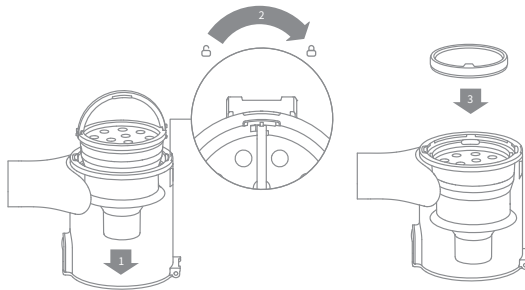
Cycloonbehuizing Voorfilter

Opmerking: Het wordt aangeraden om het voorfilter tenminste eenmaal per 3 maanden te reinigen, en het cycloonsysteem tenminste eenmaal per 6 maanden.

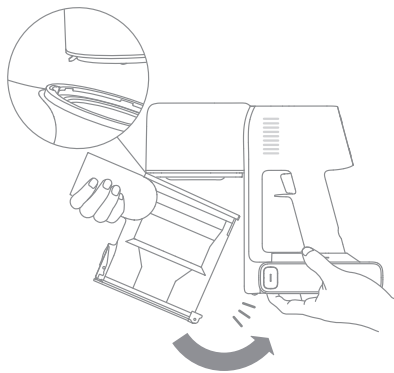
# Zorg en onderhoud

## Het stofreservoir, het voorfilter en de cycloonbehuizing installeren

1. Plaats de cycloonbehuizing verticaal in het stofreservoir en zorg ervoor dat de hendel op de cycloonbehuizing tegenover de sleuf aan de linkerzijde van het stofreservoir zit. Draai de hendel rechtsonder totdat deze vastklikt, en duw dan de hendel omlaag.
2. Plaats het voorfilter met de voorzijde naar boven in de cycloonbehuizing.



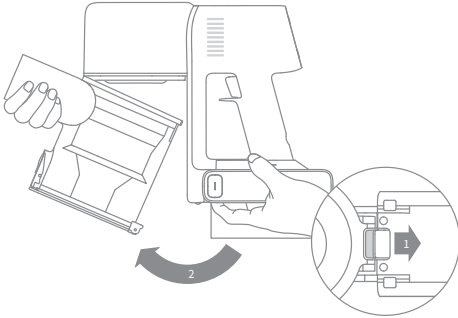
3. Kantel het stofreservoir een klein beetje zodat de sleuf tegenover de beugel op de stofzuiger zit. Druk vervolgens voorzichtig het stofreservoir naar beneden totdat deze vastklikt.



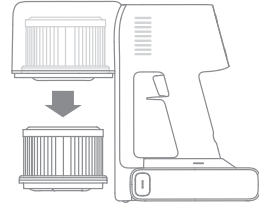
# Zorg en onderhoud

## Het filter schoonmaken

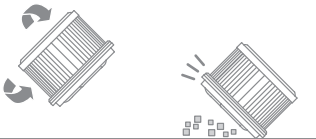
1. Verwijder het stofreservoir zoals aangegeven in de afbeelding.



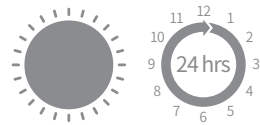
2. Verwijder het filter uit de stofzuiger door deze omlaag te trekken in de richting zoals aangegeven in de afbeelding.



3. Reinig het filter met schoon water. Zorg dat u het filter 360° draait zodat al het stof uit het filter komt. Klop een paar keer voorzichtig op het filter om overgebleven stof te verwijderen.



4. Laat het filter 24 uur drogen.



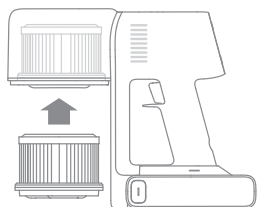
### Opmerking:

- Het wordt aangeraden om het filter eenmaal per 4 à 6 maanden schoon te maken.
- Gebruik alleen schoon water om het filter te wassen. Gebruik geen schoonmaakmiddel.
- Probeer het filter niet met een borstel of met uw vingers te reinigen.

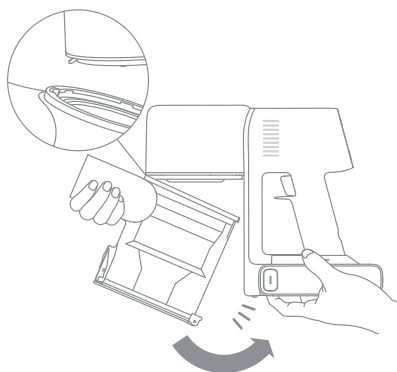
# Zorg en onderhoud

## Het filter installeren

1. Plaats het filter in de stofzuiger en druk het voorzichtig aan, zoals aangegeven.



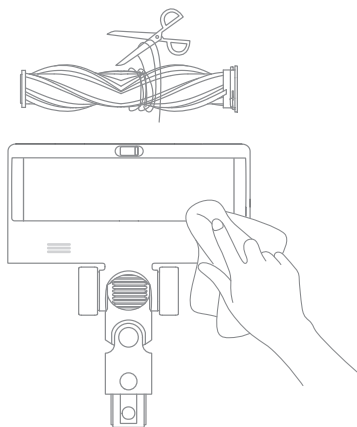
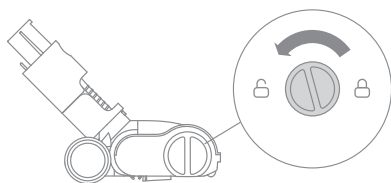
2. Monteer het stofreservoir opnieuw.



## De slimme borstel voor meerdere oppervlakken reinigen

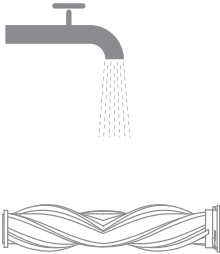
1. Draai de vergrendeling linksom totdat deze stopt en verwijder vervolgens de rol van de rolborstel.

2. Gebruik een schaar om de haren en vezels af te knippen die aan de borstelrol vastzitten. Veeg het stof met een droge doek of keukenpapier uit de inkeping en de doorzichtige behuizing. Laat het vóór gebruik goed drogen.

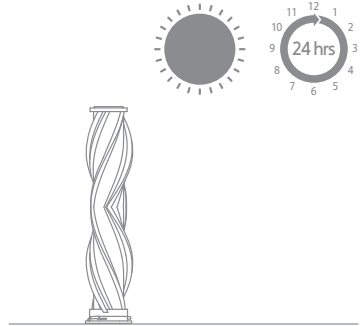


# Zorg en onderhoud

3. Als het vuil is, spoel de borstelrol dan met schoon water totdat deze schoon is.

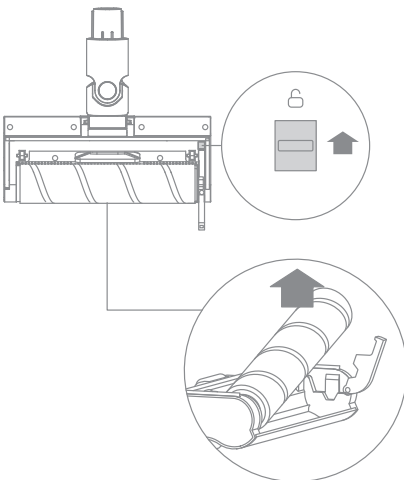


4. Zet de borstelrol 24 uur rechtop totdat deze volledig droog is.

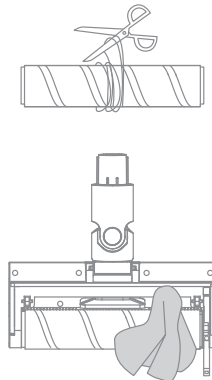


## De zachte rolborstel reinigen

1. Zoals op de afbeelding is weergegeven, drukt u op de ontgrendelingsknop van de borstelrol om de rol uit de gleuf te verwijderen.

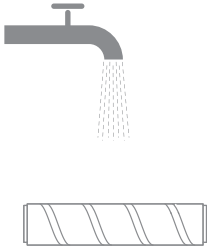


2. Gebruik een schaar om de haren en vezels af te knippen die vastzitten aan de borstelrol en de wielen. Veeg het stof met een droge doek of keukenpapier uit de inkeping en de doorzichtige behuizing. Laat het vóór gebruik goed drogen.

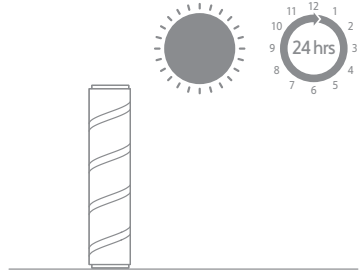


# Zorg en onderhoud

3. Als het vuil is, spoel de borstelrol dan met schoon water totdat deze schoon is.

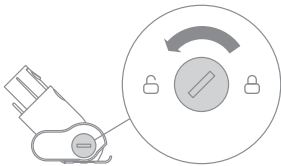


4. Zet de borstelrol 24 uur rechtop tot dat deze volledig droog is.

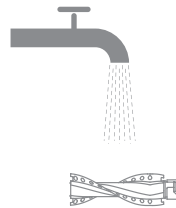
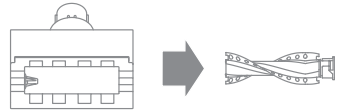


## De gemotoriseerde miniborstel reinigen

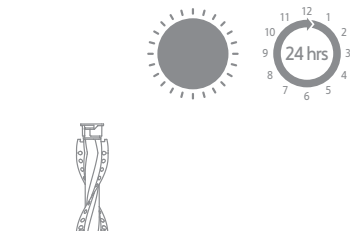
1. Gebruik, zoals afgebeeld, een munt om de vergrendeling linksom te draaien tot u een klik hoort.



2. Verwijder de borstelrol na het ontgrendelen van de gemotoriseerde miniborstel en spoel en reinig deze.



3. Zet de borstelrol tenminste 24 uur rechtop in een goed geventileerde ruimte totdat deze volledig droog is.



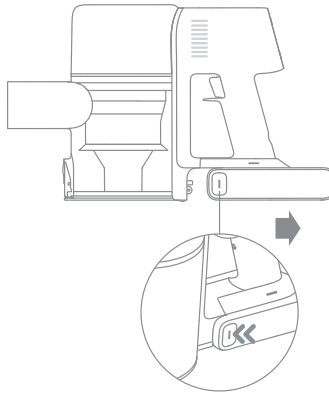
4. Zodra de borstelrol droog is, plaats deze dan weer terug door de demontage-instructies in omgekeerde volgorde uit te voeren.



## Batterijpakket

De stofzuiger bevat een uitneembaar oplaadbaar lithium-ion batterijpakket die een beperkt aantal malen kan worden opgeladen. Na veelvuldig gebruik kan het zijn dat het batterijpakket geen lading meer vasthoudt. Als dit gebeurt heeft het batterijpakket het einde van zijn levensduur bereikt en dient het vervangen te worden.

1. Druk op de ontgrendelknop van het batterijpakket en schuif het batterijpakket naar rechts om het te verwijderen, zoals aangegeven.
2. Plaats het nieuwe batterijpakket



<b>Stofzuiger</b>			
Model	VTV97A	Laadspanning	34 V ===
Nominaal vermogen	570 W	Nominale spanning	29,6 V ===
Oplaaftijd	Ong. 4 uur		
<b>Slimme multi-oppervlak borstel</b>			
Model	VMB9		
Nominaal vermogen	40 W	Nominale spanning	25,2 V ===
<b>Zachte rolborstel</b>			
Model	ASF4		
Nominaal vermogen	40 W	Nominale spanning	25,2 V ===
<b>Gemotoriseerde miniborstel</b>			
Model	VMM4		
Nominaal vermogen	20 W	Nominale spanning	25,2 V ===
<b>Oplader</b>			
Model	ZD024M340090EU	Gemiddeld actief Efficiëntie	87,01%
Ingang	100 - 240 V ~ 50-60 Hz, 0,8 A max	Efficiëntie bij lage lading (10%)	77,01%
Uitgang	34 V === 0,9 A	Onbelast vermogen Verbruik	0,1 W
<b>Oplaadbaar Lithium-ion batterijpakket</b>			
Model	P2033-8S1P-GYA		
Nominale spanning	29,6 V ===	Nominale capaciteit	2900 mAh
Energie	81,4 Wh	Gemeten capaciteit	2750 mAh

Het lithium-ion batterijpakket bevat materialen die schadelijk zijn voor het milieu. Voordat u de stofzuiger weggooit dient u eerst het batterijpakket te verwijderen en het vervolgens weg te gooien of te recyclen in overeenstemming met de plaatselijke wet- en regelgeving van het land of de regio waar het wordt gebruikt.







Als de stofzuiger niet goed werkt, raadpleeg dan de tabel hieronder.

Fouten	Mogelijke oorzaken	Oplossingen
De stofzuiger werkt niet.	De batterij is leeg of bijna leeg.	Laad de stofzuiger volledig op, hervat vervolgens het gebruik.
	Oververhittingsbescherming ingeschakeld door een verstopping.	Reinig de zuigopeningen of de luchtinlaat. Wacht totdat de stofzuiger is afgekoeld, activeer het dan opnieuw.
	Zuigopening of luchtinlaat is verstopt.	Verwijder de verstopping uit de zuigopening of de luchtinlaat.
Zuigkracht is laag.	Stofreservoir is vol en/of filterbehuizing is verstopt.	Ledig het stofreservoir en reinig de filterbehuizing.
	Accessoire zit verstopt.	Verwijder verstoppingen uit het accessoire.
Motor maakt een raar geluid.	De hoofdaanzuigopening of de verlengstang is geblokkeerd.	Verwijder verstoppingen uit de hoofd-zuigopening of de uitschuifbuis.
Het eerste indicatielampje is rood na het aanzetten van de stofzuiger.	Batterijpakket is beschadigd.	Neem met de klantenservice contact op voor een onderhoudsafspraak.
Het eerste indicatielampje knippert rood als de stofzuiger wordt opgeladen.	De oplader is incompatibel.	Gebruik alleen de originele oplader om de stofzuiger op te laden.
Het batterij-indicatielampje licht niet op tijdens het opladen.	De oplader past niet goed in de stofzuiger.	Controleer op de oplader goed is aangesloten op de stofzuiger.
	De batterij is opgeladen en schakelt automatisch over in de slaapmodus.	De stofzuiger functioneert normaal.
	Als het probleem blijft terugkeren na het uitsluiten van de twee bovenstaande mogelijkheden, neem met de klantenservice contact op voor een onderhoudsafspraak.	
Het opladen gaat te langzaam.	Batterijtemperatuur is te laag of te hoog.	Wacht totdat de batterij is afgekoeld en probeer het opnieuw.
De LED-lampjes van de slimme borstel voor meerdere oppervlakken werken niet.	LED-lampjes zijn beschadigd.	Neem contact op met de klantenservice voor onderhoud.

# Probleemoplossing

Als de stofzuiger niet goed werkt, dan wordt op het scherm een fout weergegeven. Raadpleeg de probleemoplossingstabel om een oplossing te vinden.

Foutsymbool	Status	Foutbericht	Oplossingen
	Knipperend rood	Waarschuwing voor hoge temperaturen	Wacht even totdat de motor is afgekoeld.
	Knipperend oranje	Rolborstel zit vast	Raadpleeg de onderhoudshandleiding [De slimme borstel voor meerdere oppervlakken reinigen] voor het reinigen van het vezelmateriaal en de haren die rond de borstelrol zijn gewikkeld.
	Knipperend oranje	Luchtinlaat verstopt	Controleer of de stofbeker, koolstofvezelstang en slimme borstel voor meerdere oppervlakken verstopt zijn.
	Knipperend oranje	Filter is uitgewerkt	Vervang het filter tijdig. Na het vervangen van het filter houdt u de vergrendeling van de trekkerschakelaar 3 seconden ingedrukt om het filter te resetten.
	Continu oranje	Filter niet geïnstalleerd	Controleer of het filter en het voorfilter correct zijn geïnstalleerd.
	Continu rood	Fout	Neem met de klantenservice contact op voor een onderhoudsafspraak.
Als één van de foutcodes van E0 tot E4 op het scherm verschijnt, neem dan contact op met de klantenservice voor reparatie.			

## AEEA-informatie



Alle producten met dit symbool zijn afgedankte elektrische en elektronische apparatuur (AEEA zoals in Richtlijn 2012/19/EU) die niet samengevoegd mogen worden met ongesorteerd huishoudelijk afval. In plaats daarvan moet u de volksgezondheid en het milieu beschermen door uw afgedankte apparatuur in te leveren bij een door de overheid of de plaatselijke autoriteiten aangewezen inzamelpunt voor het recyclen van afgedankte elektrische en elektronische apparatuur. Een correcte verwijdering en recycling zal mogelijke negatieve gevolgen voor het milieu en de volksgezondheid helpen voorkomen. Neem contact op met de installateur of de plaatselijke autoriteiten voor meer informatie over de locatie en de voorwaarden van dergelijke inzamelpunten.

# تعليمات السلامة

لتجنب الإصابات المختلفة مثل الصدمات الكهربائية والحرق الناجم عن الاستخدام غير السليم، يرجى قراءة دليل التعليمات بعناية قبل الاستخدام والاحتفاظ به بشكل صحيح.

## تحذير

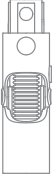
- يمنع استخدام هذا المنتج من قبل الأشخاص ذوي الإعاقات الجسدية أو الحسية أو الذهنية، والأشخاص الذين ليس لديهم الخبرة والمعرفة الكافية (بما في ذلك الأطفال)، ما لم يكن هناك إشراف أو توجيه من شخص ذو كفاءة للتأكد من أنه يمكنهم استخدام هذا المنتج بأمان.
- يمنع الأطفال من استخدام المنتج أو تشغيله، وعند استخدام هذا المنتج بمحيط الأطفال من الضروري الانتباه إليه والمراقبة عن كثب، ومنع الأطفال من تنظيف المنتج أو صيانتها.
- يحظر استخدام الجهاز في الهواء الطلق أو على الأسطح الرطبة بل ينصح باستخدامه على الأسطح الجافة في الداخل، لا تلمس القابس أو أي جزء من الجهاز بيد مبللة.
- لمنع حدوث حريق أو انفجار أو إصابة، يرجى التحقق مما إذا كانت بطارية الليثيوم والشاحن تالفاً قبل الاستخدام، ويحظر استخدام المكنسة الكهربائية في حالة تلف بطارية الليثيوم أو الشاحن.
- الفرشاة الذكية متعددة الأسطح، والفرشاة الصغيرة المزودة بمحركات، والبطارية، وقضيب الألياف الكربون، والمكنسة الكهربائية كلها موصلة للكهرباء ولا ينبغي غمرها في الماء أو أي سائل آخر. تأكد من تجفيف جميع الفلاتر بعد التنظيف.
- لمنع الإصابة الناجمة عن الأجزاء المتحركة، قم بإيقاف تشغيل المكنسة الكهربائية قبل تنظيف الفرشاة الذكية متعددة الأسطح. يجب تركيب الفرشاة الذكية متعددة الأسطح وكوب الغبار والفلتر بشكل صحيح قبل استخدام المكنسة الكهربائية.
- استخدم الشاحن الأصلي فقط، ولا تستخدم محولات غير رسمية، خلاف ذلك قد يؤدي إلى اشتعال النيران في بطارية الليثيوم.
- لا تستخدم المنتج لامتناس الماء والبنزين والسوائل الأخرى القابلة للاشتعال والانفجار، ولا تستنشق المحاليل السامة، مثل مبيض الكلور أو الأمونيا أو منظفات الصرف الصحي أو السوائل الأخرى.
- يحظر استخدام المكنسة الكهربائية لتنظيف الجير والأسمنت ومسحوق الجبس ومسحوق الرماد ومكبات كبيرة من الطحين ومسحوق الكربون وما إلى ذلك، ويحظر استنشاق الدخان أو المواد المحترقة مثل الفحم أو أعقاب السجائر أو أعواد الثقاب.
- التحقق من المنطقة المراد تنظيفها قبل الاستخدام ضروري جداً، لتجنب وجود قطعاً كبيرة من الورق أو كرات ورقية أو قطعة قماش بلاستيكية أو أشياء حادة (مثل الزجاج والمسامير والبراغي والعملات المعدنية، إلخ)، بالإضافة إلى الأشياء التي يزيد قطرها عن قطر القش، يرجى استبعادها مسبقاً لتجنب انسداد الفوهة والتأثير على الاستخدام العادي للمنتج.
- حافظ على تدفق الهواء وتحرن أجزاء الجهاز بعد ا عن الشعر ومالبس فضفاضة والأصابع وأجزاء أخرى من الجسم، وال توجه الموصلات المعدنية أو غرها من الملحقات نحو عنن أو أذن أو ف ففن.
- يمنع وضع أي مادة على الفوهة. يحظر استخدام المكنسة الكهربائية في حالة انسداد أي منفذ شفط، حيث قد يؤدي الغبار أو الصوف القطني أو الشعر أو أي عناصر أخرى إلى تقليل تدفق الهواء، يرجى تنظيفها في الوقت المناسب.
- تجنب وضع المكنسة الكهربائية على أسطح غير مستقرة مثل الكراسي وطاولات الطعام وما إلى ذلك، لمنع تلف المكنسة الكهربائية أو إصابة المستخدم عند السقوط في حال سقوط المكنسة الكهربائية أو تلفها أو بها عيوب أخرى، يرجى الاتصال بجهة الإصلاح الرسمية المعتمدة. لا تقم بإصلاحها وتفكيكها بنفسك.
- يرجى شحن البطارية بدقة وفقاً للإرشادات الواردة في الدليل، فقد يؤدي الشحن غير الصحيح خارج نطاق درجة الحرارة المحدد إلى تلف البطارية.
- استخدم فقط الملحقات قطع الغيار التي أوصت بها الشركة المصنعة.
- يرجى فصل الجهاز من مصدر الكهرباء عند عدم الاستخدام لفترة طويلة، وقيل الصيانة أو الإصلاح.
- يرجى التركيز والانتباه عند الاستخدام وتنظيف السلالم خاصة.
- يرجى عدم تركيب أو شحن أو استخدام هذا المنتج في الهواء الطلق، وفي الحمام أو حول حوض السباحة.
- تحذير من مخاطر الحريق: لا تضع أي منتجات عطرية على فلتر هذا المنتج، ومن المعروف أن المواد الكيميائية الموجودة في هذه المنتجات قابلة للاشتعال ويمكن أن تتسبب في اشتعال المنتج.
- استخدم محول الطاقة الأصلي طراز ZD024M340090EU فقط، استخدم محولات أخرى فقد يؤدي إلى اشتعال بطارية الليثيوم.
- استخدم بطارية طراز P2033-8S1P-GYA فقط، استخدم بطاريات أخرى فقد يؤدي إلى اشتعال بطارية الليثيوم.

- إذا تم تحرير مادة البطارية، فأخرج الأفراد من المنطقة حتى تبرد البطاريات وتتبدد الأبخرة.
- قم بتوفير أقصى تهوية للتخلص من الغازات الخطرة وتجنب استنشاق الأبخرة أو جعلها تلامس البشرة والعينين.
- أزل السائل المنسكب باستخدام وسيلة مجففة واحرق النفايات.
- يجب عدم الإستخدام والتخزين في بيئة شديدة الحرارة أو البرودة (أقل من 0 درجة / 32 درجة فهرنهايت أو أعلى من 40 درجة / 104 درجة فهرنهايت). عند الشحن استخدم محول الطاقة الأصلي والشحن عند درجة حرارة 0 إلى 40 درجة مئوية.
- هذا المنتج مصمم للاستخدام المنزلي فقط.

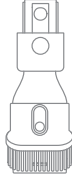
للحصول على دليل إلكتروني مفصل، يُرجى الانتقال إلى  
<https://global.dreametech.com/pages/user-manuals-and-faqs>

# نظرة عامة حول المنتج

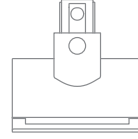
## قائمة الملحقات



رأس التبدیل السفلي



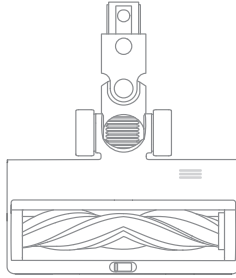
أداة تجميع واسعة



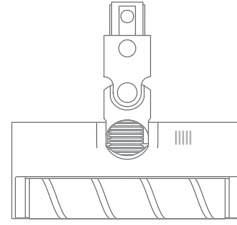
فرشاة كهر بائية صغيرة



أنبوب الألياف الكربونية



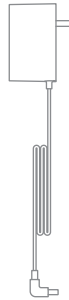
فرشاة ذكية متعددة الأسطح



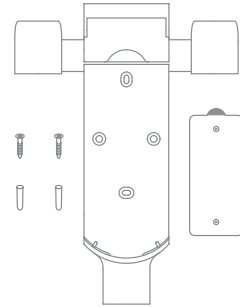
فرشاة أسطوانية دوارة ناعمة



أداة تجميع مرنة



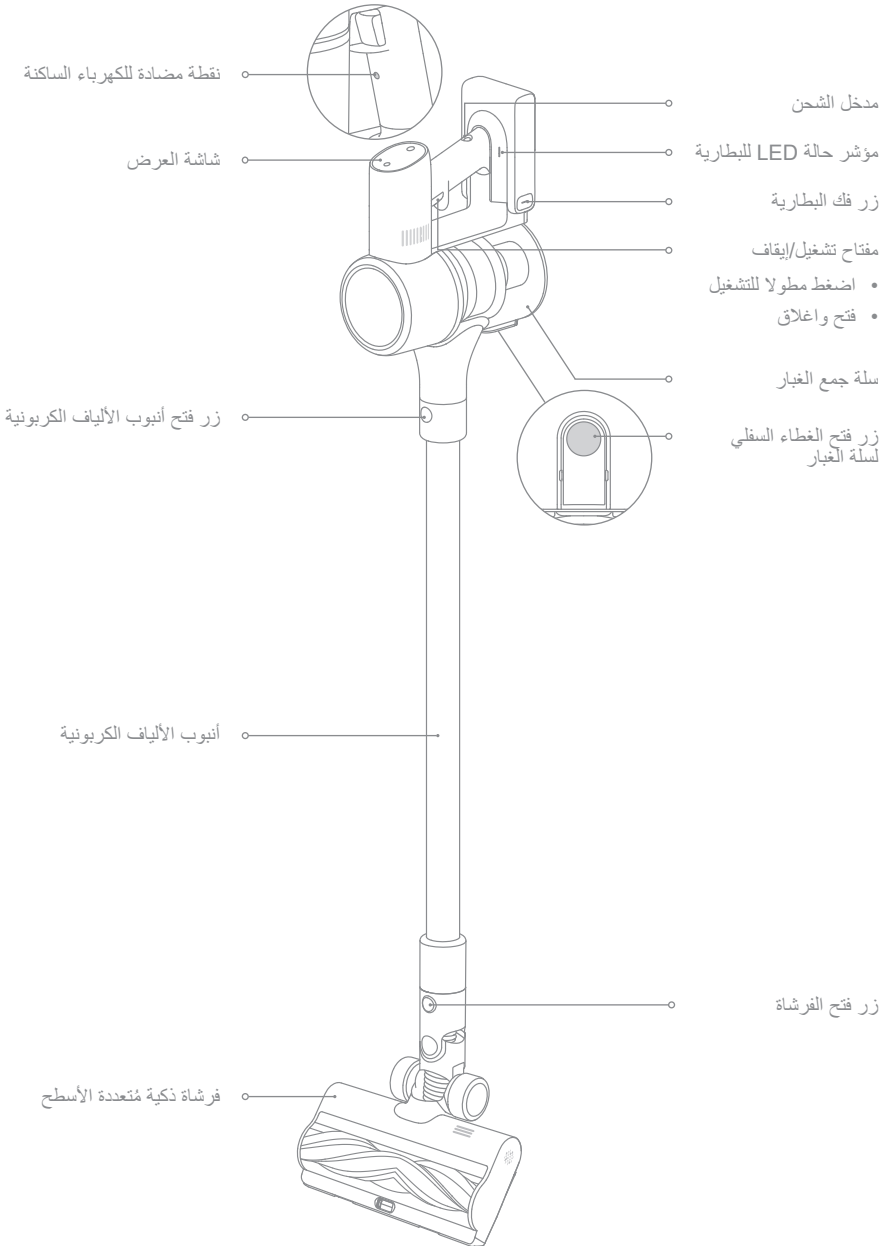
محول الطاقة



حامل شحن وتخزين 2 في 1  
(يتضمن عدد 2 برغي وعدد  
2 مقبس حائط وملصق نموذج  
التركيب)

نصيحة: الرسوم التوضيحية في هذا الدليل هي للإشارة فقط، يرجى الرجوع للمظهر الفعلي.

## اسم الاجزاء



# نظرة عامة حول المنتج

## مقدمة عن وظيفة شاشة العرض

تنبيه بارتفاع درجة الحرارة



الفرشاة الإسطوانية عالقة



انسداد قناة الهواء



عطل



تم إزالة الفلتر / فلتر شارف على منتهي



مؤشر الشحن/ مستوى البطارية منخفض



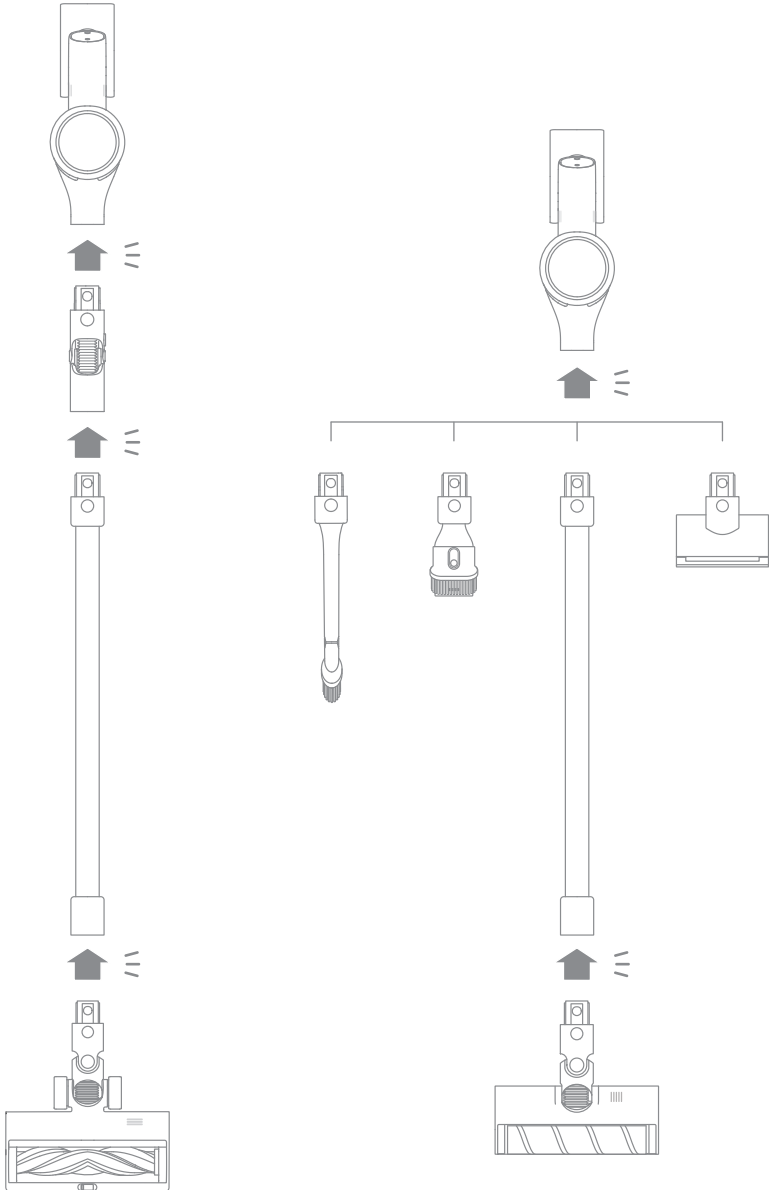
- وميض باللون الأحمر: مستوى البطارية  $\geq 10\%$
- وميض بطيء بالأحمر: مستوى البطارية  $\geq 10\%$  (الشحن)
- وميض بطيء بالأخضر: مستوى البطارية  $< 10\%$  (الشحن)





## تركيب الجهاز الرئيسي

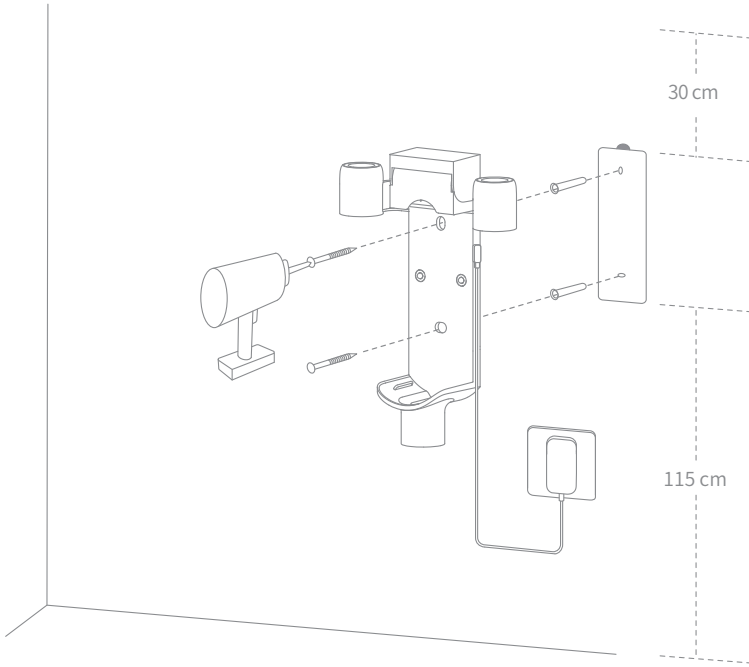
طريقة



## تركيب حامل الشحن والتخزين 2 في 1

1. ضع ماصق التثبيت على الحائط واجعله موازياً للأرض. يوصى بأن يكون الطرف السفلي للماصق أكثر من 115 سم من الأرض، ويجب أن يترك الطرف العلوي مسافة 30 سم على الأقل دون أي عوائق.
2. استخدم أداة كهربائية مع مثقاب 8 مم لحفر الثقوب وفقاً للثقوب لبثبيت في ماصقات التثبيت، وضع أنبوب التوسعة في الفتحة المحفورة.
3. قم بمحاذاة فتحة التثبيت الخاصة بدعم التخزين بفتحة التثبيت في ماصقات التثبيت، وقم بتثبيت حامل التخزين على الحائط باستخدام البراغي.

(\* 30 سم: من أجل الاحتفاظ بمساحة شحن للشراء اللاحق للبطاريات الاحتياطية)



ملاحظة:

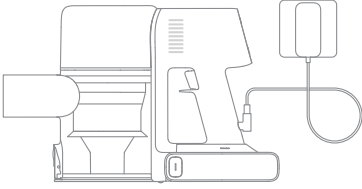
- الحامل هو جزء اختياري، يمكن اختيار تركيبه وفقاً للوضع الفعلي.
- نصيحة: يجب تثبيت حامل التخزين في مكان بارد وجاف مع وجود مصدر طاقة قريب، والتأكد من عدم وجود مرافق مثل الأسلاك أو الأنابيب خلف منطقة التثبيت مباشرة.

ملاحظة:

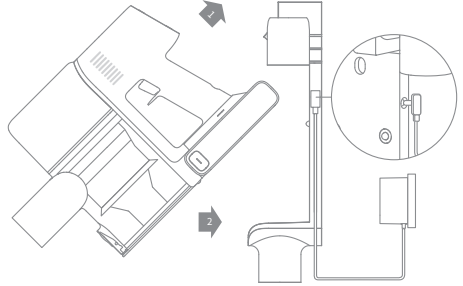
- يرجى شحن البطارية بالكامل عند الاستخدام الاولي.
- مدة الشحن 4 ساعات تقريباً.
- ترتفع درجة حرارة البطارية بعد الاستخدام المستمر للجير الفائق، في هذا الوقت إلى زيادة وقت الشحن عند شحن البطارية لذلك يوصى بترك الجهاز الرئيسي يبرد لمدة 30 دقيقة قبل الشحن.

## طريقة الشحن

الشحن المباشر لمحول الطاقة



الشحن على المقعد المعلق



## طريقة عرض الطاقة

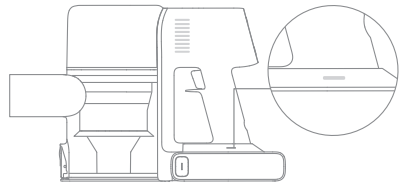
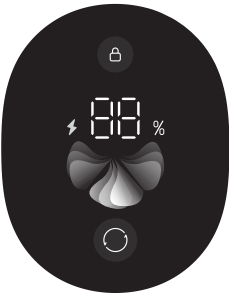
شاشة العرض

عند الشحن تظهر الشاشة الطاقة المتبقية بطريقة رقمية، وعندما تظهر 100 فهذا يعني أن الشحن قد اكتمل.

مؤشر حالة LED للبطارية

عند الشحن تومض مصابيح المؤشرات الثلاثة باستمرار وتتحول إلى ضوء ثابت وفقاً لحالة الطاقة؛ عند اكتمال الشحن، تظل مصابيح المؤشرات الثلاثة ثابتة.

ملاحظة: بمجرد أن يتم شحن المكنسة بالكامل، سيتم إيقاف تشغيل المؤشر بعد 5 دقائق، وسوف تدخل المكنسة في وضع توفير الطاقة.



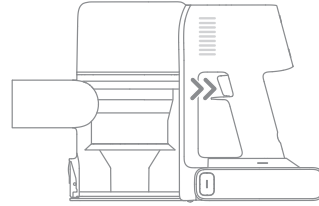
# استخدام المنتج

## وضع التنظيف

هناك وضعان لعمل مكنسة التنظيف الكهربائية، والتي يمكن اختيارها وفقاً لاحتياجاتك الخاصة.

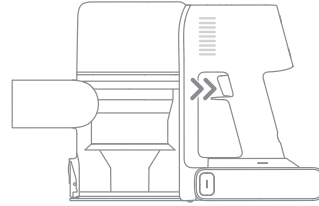
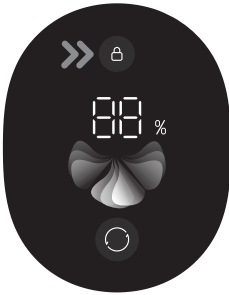
### الطريقة الاولى: وضع العمل المتقطع

اضغط مطولاً على مفتاح الجهاز الرئيسي لبدء العمل، وعند الايقاف أعد المفتاح لوضعه الطبيعي.




### الطريقة الثانية: وضع العمل المستمر (أمان مفتاح التحرير)


عندما يكون الجهاز الرئيسي الرئيسية قيد التشغيل، اضغط لمرة واحدة ع للتبديل لوضع العمل المستمر، وفي نفس الوقت قم بفتح مفتاح الجهاز الرئيسي، وسوف تستمر الجهاز الرئيسي في العمل.



ملاحظة:

- مؤشر حالة القفل يبقى مضيئاً عند تشغيل وضع العمل المستمر.
- إذا كنت بحاجة إلى الخروج من وضع العمل المستمر، فانقر فوق مفتاح  مرة أخرى.

## إعدادات اللغة

اضغط على الزر  لتبديل المستويات بين اللغتين والتوربيني. عندما تكون في الوضع التوربيني، ستضيء جميع الأيقونات التي على شكل مروحة باللون الأبيض. في الوضع اللغتي فقط، يتغير مستوى الشفط ولون الأيقونة التي على شكل مروحة مع كمية الغبار المستنشق.

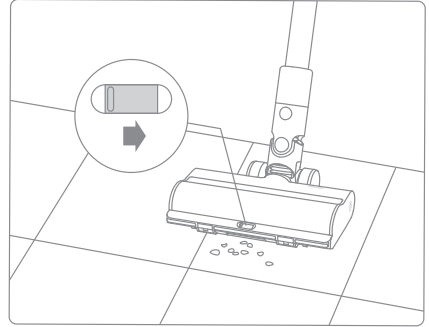
## مجال استخدام الملحقات

### فرشاة ذكية متعددة الأسطح

ملاحظة:

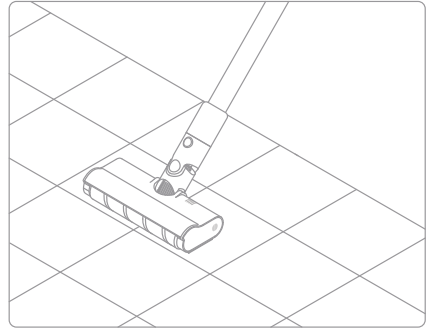
- يمكن توصيل الفرشاة الذكية متعددة الأسطح مباشرة بالمكنسة الكهربائية.
- عند بدء تشغيل الجهاز، سنضيء المصابيح الموجودة أمام أسطوانة الفرشاة تلقائيًا، والذي يعد مناسبًا للاستعمال.

- مناسب لتنظيف السجاد ذو الشعر المتوسط والقصير، وكذلك يمكن استخدامها لتنظيف أرضيات البلاط والأرضيات الخشبية.
- للتنظيف الجزيئات الكبيرة بالمكنسة الكهربائية عن طريق تشغيل مفتاح الفرشاة، مثل حبوب القهوة ورقائق الذرة وما إلى ذلك.



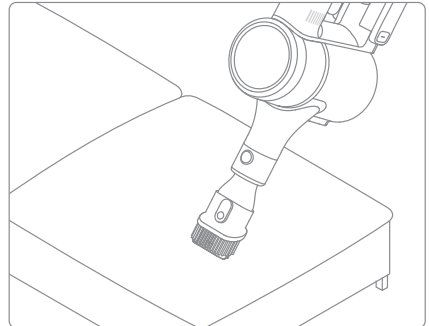
### فرشاة أسطوانية دوارة ناعمة

مناسب لتنظيف الأرضيات الصلبة مثل الرخام والأرضيات.



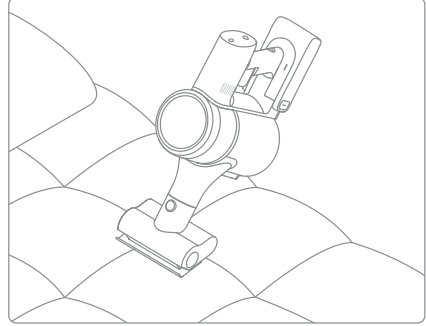
### أداة تجميع واسعة

مناسبة لتنظيف غبار اسطح الستائر ولوحات المفاتيح والأسقف والسيارات وطاولات القهوة إلخ.



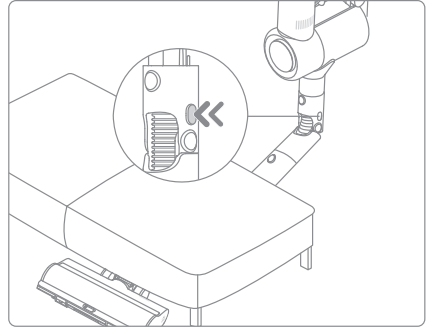
## فرشاة كهربائية صغيرة

لتنظيف الأوساخ، وشعر الحيوانات الأليفة، وغيرها من الحطام الصعب من الأرائك، والفرش، والأسطح النسيجية الأخرى. ملاحظة: لا يُنصح باستخدامها على سطح مواد سهلة التمزق وعرضة للخدش (مثل الحرير، إلخ).



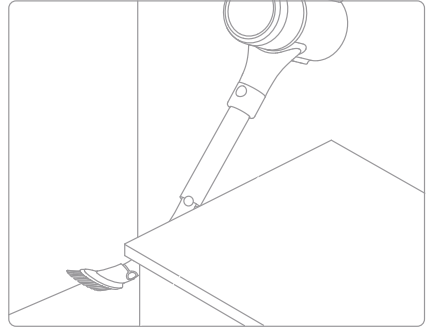
## رأس التبديل السفلي

تصل للمناطق السفلية بنقرة واحدة، لتلبية تنظيف الجزء السفلي من الأثاث المنخفض مثل السريريات والأريكات.



## أداة تجميع مرنة

فوهة الفرشاة قابلة للانحناء وقابلة للطي، وأكثر مرونة في الشق في داخل الفجوات الضيقة.



ملاحظة:

- قد يتوقف المنتج تلقائياً عند توقف أي جزء دوار، بعد إزالة جميع الأجسام الغريبة العالقة، يمكنك الاستمرار في استخدامه.
- عند ارتفاع درجة حرارة المحرك، ستتوقف المكنسة الكهربائية تلقائياً. انتظر حتى تعود درجة حرارة البطارية إلى وضعها الطبيعي، ثم استأنف الاستخدام.

## احتياطات الصيانة

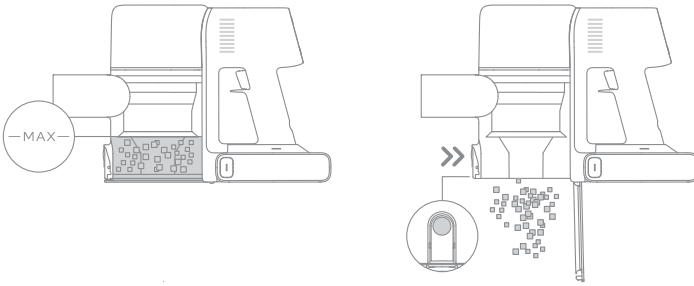
- استخدم دائماً قطع الغيار الأصلية لإبقاء الضمان سارياً.
- في حالة انسداد الفلتر أو الفوهة، ستوقف المكنسة عن العمل بعد فترة وجيزة من تشغيلها، ولاستعادة العمل، قم بتنظيف الفلتر أو الفوهة.
- إذا لن يتم استخدام المكنسة الكهربائية لفترة طويلة، قم بشحنها بالكامل وفصلها عن الطاقة ثم تخزينها في بيئة باردة منخفضة الرطوبة بعيداً عن أشعة الشمس المباشرة. لتجنب شحن البطارية المفرط، أعد شحن المكنسة الكهربائية مرة واحدة على الأقل كل ثلاثة أشهر.

## تنظيف الجهاز الرئيسي

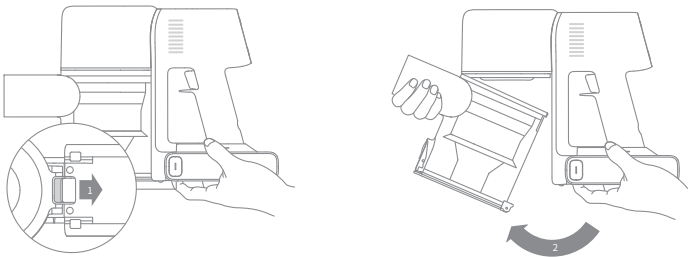
امسح الجهاز الرئيسي باستخدام قطعة قماش جافة وناعمة.

## نظف سلة جمع الغبار والفلتر ومكونات النظام المخروطي

1. ضغط على زر فتح الغطاء السفلي لسلة الغبار في اتجاه السهم لفتح الغطاء السفلي لسلة الغبار وتفريغ الغبار من سلة الغبار.



2. كما هو مبين في الشكل 1، اسحب مفتاح إزالة سلة الغبار أسفل حاوية الغبار في اتجاه السهم وقم بإزالة سلة الغبار في نفس الوقت، كما هو موضح في الشكل 2.

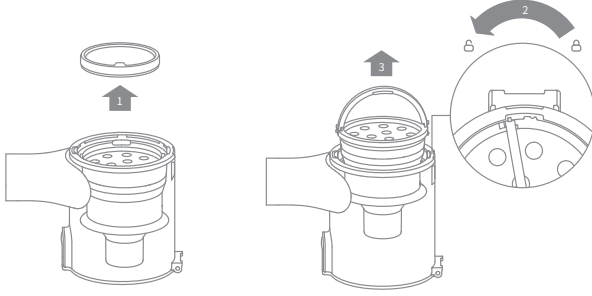


ملاحظة:

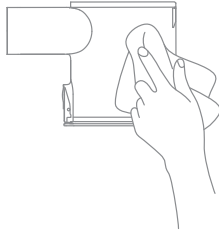
- ستتخفف قدرة تنظيف المكنسة الكهربائية عند امتلاء سلة جمع الغبار إلى علامة الحد الأقصى "MAX". لاستعادة القدرة على الأداء، قم بتفريغ سلة الغبار في الوقت المناسب.
- قبل تفريغ السلة، تأكد من فصل المكنسة الكهربائية عن مصدر الطاقة ولا تضغط على زر الطاقة بها.

## العناية والصيانة

3. أخرج المرشح الأولي أولاً، ثم اسحب مقبض المكون لتدويره عكس اتجاه عقارب الساعة إلى موضع الإيقاف، وأخرج مكون النظام المخروطي للأعلى.

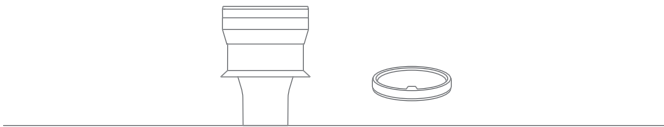


4. امسح الغبار من الكوب بقطعة قماش ناعمة مبللة. راعى عصر قطعة القماش قبل استخدامها.



يحتوي برميل الغبار على عناصر كهربائية  
يرجى عدم استخدام الماء أثناء التنظيف

5. اشطف مكونات الفلتر الأمامي ومجموعة نظام الدوران بالماء حتى تصبح نظيفة. بعد الانتهاء، اتركه يجف لمدة 24 ساعة على الأقل لضمان التجفيف الكامل.



مكونات النظام المخروطي

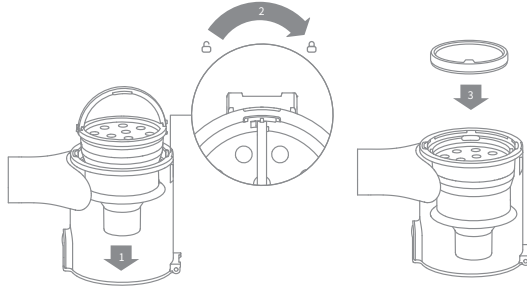
الفلتر الأولي

ملاحظة: يوصى بغسل الفلتر الأولي على الأقل مرة واحدة كل 3 أشهر ومكونات النظام المخروطي مرة واحدة على الأقل كل 6 أشهر.

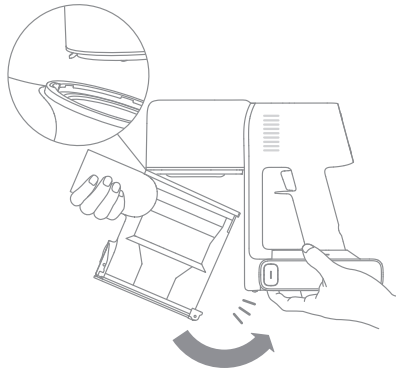


## تركيب سلة جمع الغبار والفلتر الأولي ومكونات النظام المخروطي

1. قم بإدخال مكونات النظام المخروطي عمودياً في سلة جمع الغبار، وتأكد من أن مقبض مكونات النظام المخروطي يصطف مع الفتحة الموجودة على الجانب الأيسر من سلة جمع الغبار. لف المقبض في اتجاه عقارب الساعة حتى يُقفل، ثم اقلب المقبض لأسفل.
2. ضع الفلتر الأولي بحيث يكون جانبه الأمامي مواجهًا لأعلى بمكونات النظام المخروطي.



3. قم بإمالة سلة جمع الغبار قليلاً حتى تتوافق فتحتها مع المشبك الموجود على المكنسة الكهربائية. ثم ادفع سلة جمع الغبار برفق حتى تثبت في مكانها.

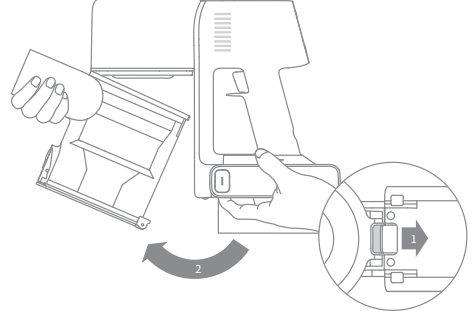
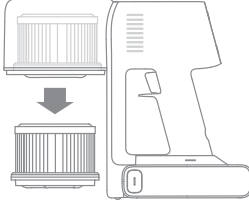


# العناية والصيانة

## تنظيف مرشح الداخلي

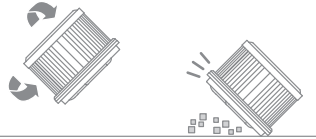
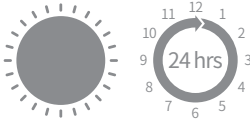
2. اسحب لأسفل في الاتجاه الموضح لإزالة مرشح الداخلي من الجهاز الرئيسي.

1. أزل سلة جمع الغبار كما هو مبين في الصورة.



4. قم بتعرض فلتر الداخلي للهواء لمدة 24 ساعة على الأقل لضمان التجفيف الكامل.

3. قم بغسل فلتر بالماء النظيف، قم بتدوير مرشح بزاوية 360 درجة للتأكد من إزالة الغبار الموجود في فجوات فلتر. اضغط على الفلتر برفق عدة مرات لإزالة كل الغبار.



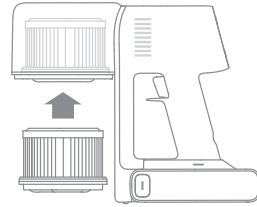
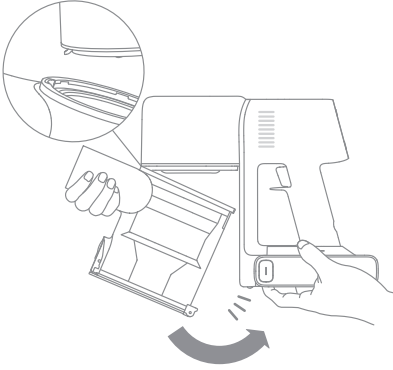
ملاحظة:

- ينصح بغسلة مرة كل 4-6 أشهر.
- يرجى الغسل بالماء النظيف، وعدم استخدام أي منظف.
- تجنب استخدام الفرشاة أو الأصابع لتنظيف فلتر.

## تركيب فلتر الداخلي

2. قم بإعادة تركيب سلة جمع الغبار.

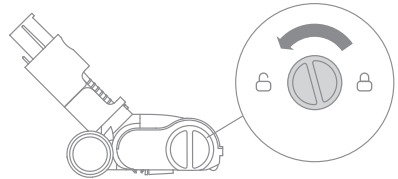
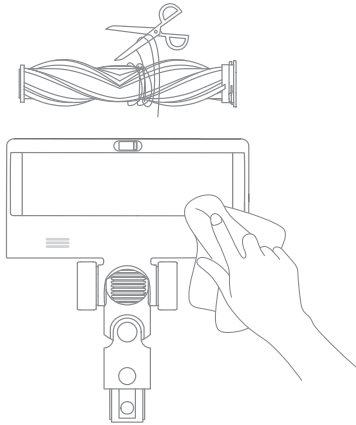
1. قم بتركيب فلتر الداخلي مرة أخرى في الجهاز الرئيسي كما هو موضح في الشكل واضغط عليه برفق.



## تنظيف الفرشاة الذكية متعددة الأسطح

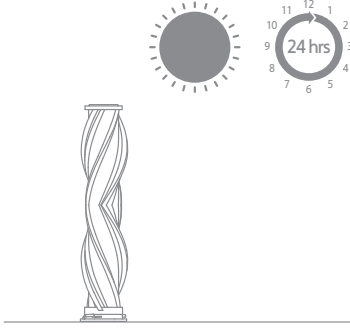
2. استخدم المقص لقص الشعر والألياف الملتصقة ببكرة الفرشاة، امسح الأتربة من الشقوق والغطاء الشفاف بقطعة قماش جافة أو منشفة ورقية، ثم جففه جيدا قبل الاستخدام.

1. لف المزلاج عكس اتجاه عقارب الساعة حتى يتوقف، ثم قم بإزالة البكرة من الفرشاة الدوارة.

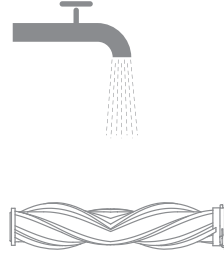


# العناية والصيانة

4. ع بكرة الفرشاة في وضع مستقيم لمدة 24 ساعة على الأقل حتى تجف تماماً.

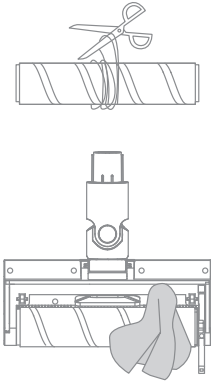


3. عندما تنتسخ، اشطف بكرة الفرشاة بالماء النظيف حتى تصبح نظيفة.

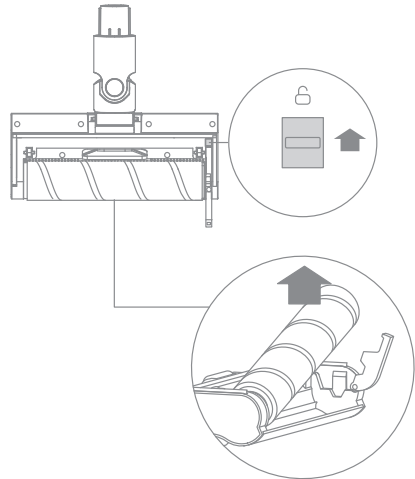


## تنظيف الفرشاة الناعمة

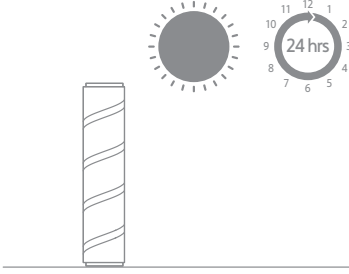
2. استخدم المقص لقص الشعر والألياف العالقة والمحشورة على بكرة الفرشاة والعجلات. امسح الغبار من التلم والغطاء الشفاف بقطعة قماش جافة أو منشفة ورقية. جفّه تماماً قبل الاستعمال.



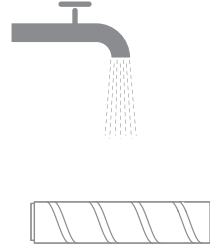
1. كما هو موضح في الصورة، اضغط على زر فصل وحلّ بكرة الفرشاة لإزالة الأسطوانة من الفتحة.



4. ضع بكرة الفرشاة في وضع مستقيم لمدة 24 ساعة على الأقل حتى تجف تماما.



3. عندما تنتسخ، اشطف بكرة الفرشاة بالماء النظيف حتى تصبح نظيفة.

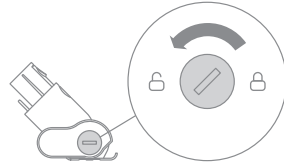


## تنظيف الفرشاة الكهربائية الصغيرة

2. بعد فتح الفرشاة الصغيرة الآلية، وأخرج بكرة الفرشاة، ثم تنظيفها جيدا.



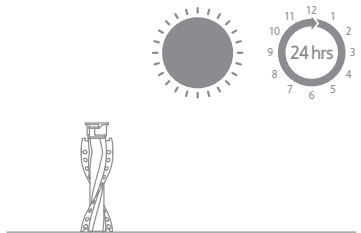
1. استخدم عملة معدنية لتدوير القفل عكس اتجاه عقارب الساعة حتى تسمع صوت نقرة.



4. بمجرد أن تجف بكرة الفرشاة، أعد تثبيتها باتباع خطوات التفكيك في الاتجاه المعاكس.



3. ضع بكرة الفرشاة في وضع مستقيم في منطقة جيدة التهوية لمدة 24 ساعة على الأقل حتى تجف تماما.

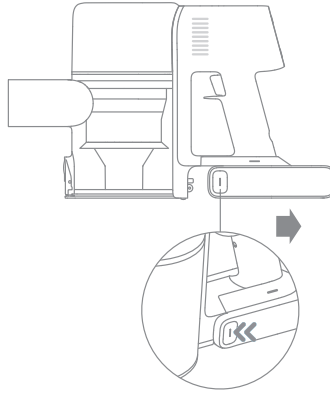


## علبة البطارية

تحتوي المكنسة الكهربائية على علبة بطارية ليثيوم أيون القابلة للإزالة وإعادة الشحن والتي تحتوي على عدد محدود من دورات إعادة الشحن. بعد الاستخدام الممتد، قد لا تحتفظ علبة البطارية بشحنة واحدة. وفي حال حدوث هذا الأمر، تكون علبة البطارية قد وصلت إلى نهاية دورة عمرها التشغيلي وتحتاج إلى استبدالها.

1. اضغط لأسفل على زر تحرير علبة البطارية واسحب البطارية إلى اليمين، كما هو موضح، لإزالتها.

2. ثبت علبة البطارية الجديدة.



الجهاز الرئيسي			
34 V ===	جهد الشحن	VTV97A	رقم المنتج
29.6 V ===	الجهد المقدر	570 W	الطاقة المقترنة
4 ساعات تقريباً			مدة الشحن
فرشاة ذكية مُتعددة الأسطح			
VMB9			الطراز
25.2 V ===	الجهد المقدر	40 W	الطاقة المقترنة
فرشاة أسطوانية دوارة ناعمة			
ASF4			الطراز
25.2 V ===	الجهد المقدر	40 W	الطاقة المقترنة
فرشاة كهربائية صغيرة			
VMM4			الطراز
25.2 V ===	الجهد المقدر	20 W	الطاقة المقترنة
المحول			
87.01%	متوسط الكفاءة النشطة	ZD024M340090EU	الطراز
77.01%	كفاءة التحميل المنخفض (10%)	100-240V~50-60Hz, 0.8 A max	الإدخال
0.1 W	استهلاك الطاقة بدون حمل	34 V === 0.9 A	الإخراج
علبة بطارية ليثيوم أيون القابلة للشحن			
P2033-8S1P-GYA			طراز البطارية
2900 mAh	السعة الاستيعابية الطبيعية	29.6 V ===	الجهد الاسمي
2750 mAh	تصنيف السعة	81.4 Wh	الطاقة

تحتوي علبة بطارية ليثيوم أيون على مواد خطيرة على البيئة. قبل التخلص من المكنسة الكهربائية، يرجى أولاً إزالة علبة البطارية، ثم التخلص منها أو إعادة تدويرها وفقاً للقوانين واللوائح المحلية للبلد أو المنطقة التي تستخدم فيها.

عندما لا تعمل المكنسة الكهربائية بشكل طبيعي، يرجى الرجوع إلى الجدول أدناه للتعامل مع المشكلة.

الحلول	السبب المحتمل	أعطال شائعة
يرجى شحن البطارية بالكامل قبل الاستخدام.	بطارية المكنسة فارغة أو منخفضة.	المكنسة الكهربائية لا تعمل.
تنظيف قناة أو مدخل شفط الغبار وإعادة التشغيل بعد التبريد.	حماية تلقائية ناتجة عن ارتفاع درجة الحرارة بسبب الانسداد.	
تنظيف قناة أو مدخل شفط الغبار.	انسداد قناة أو مدخل شفط الهواء.	
أفرغ السلة من الغبار ونظف الفلتر.	سلة الغبار ممتلئة، الفلتر مليء بالغبار ومسدود.	انخفضت قوة الشفط.
نظف انسداد الملحقات.	انسداد الملحقات.	
قم بتنظيف الترسبات الموجودة في مدخل الشفط الرئيسي وأنبوب الألياف الكربونية	انسداد مدخل الشفط الرئيسي أو أنبوب الألياف الكربونية	وجود صوت غريب عند تشغيل المحرك.
يرجى الاتصال بخدمة ما بعد البيع للإصلاح.	البطارية تالفة.	البطارية تشحن ببطء.
يرجى استخدام محول الطاقة الأصلي.	محول الطاقة لا يتطابق.	يضيئ المؤشر الأول باللون الأحمر عند التشغيل.
تأكد من محول الطاقة موصل بشكل صحيح.	الجهاز الرئيسي لا يتصل جيدا بمحول الطاقة.	لا يضيئ مؤشر البطارية أثناء الشحن.
يمكن استخدام المكنسة الكهربائية في الوضع الطبيعي.	البطارية مشحونة بالكامل ودخلت في وضع السكون.	
إذا استمرت المشكلة بعد استبعاد الاحتمالين المذكورين أعلاه، يرجى الاتصال بخدمة ما بعد البيع للإصلاح.		
يرجى الانتظار حتى تعود درجة حرارة البطارية إلى وضعها الطبيعي قبل الشحن	درجة حرارة البطارية مرتفعة أو منخفضة للغاية.	البطارية تشحن ببطء.
يرجى الاتصال بخدمة ما بعد البيع للإصلاح.	مصابيح الإضاءة LED تالفة.	مصابيح الإضاءة الليد LED الخاصة بالفرشاة الذكية متعددة الأسطح مُعَطَّلة.



عندما تعمل المكنسة الكهربائية بشكل غير طبيعي، ستعرض الشاشة معلومات غير طبيعية، يرجى قراءة محتوى الشاشة ودمج جدول استكشاف الأخطاء وإصلاحها للتعامل مع الموقف غير الطبيعي.

الحلول	تنبيه عن الاعطال	الحالة	أيقونة الاعطال
يرجى الانتظار حتى تصبح درجة حرارة البطارية طبيعية والاستمرار في استخدامها.	تنبيه بارتفاع درجة الحرارة	أحمر وامض	
راجع قسم دليل الصيانة [تنظيف الفرشاة الذكية متعددة الأسطح] لتنظيف مادة الألياف والشعر الملفوف حول أسطوانة الفرشاة.	الفرشاة الإسطوانية عالقة	برتقالي وامض	
تحقق إذا ما كان كوب الغبار، وقضيب ألياف الكربون، والفرشاة الذكية متعددة الأسطح مسدودة.	انسداد قناة الهواء	برتقالي وامض	
يرجى استبدال الفلتر في الوقت المناسب. بعد استبدال الفلتر، اضغط مع الاستمرار على قفل مفتاح التشغيل لمدة 3 ثوانٍ لإعادة تعيين الفلتر.	الفلتر شارف على منتهي	برتقالي وامض	
تأكد من تثبيت فلتر تنقية جسيمات الهواء بكفاءة عالية والفلتر الأولي بطريقة صحيحة.	تم إزالة الفلتر	برتقالي ثابت ومُتواصل	
يرجى الاتصال بخدمة ما بعد البيع للإصلاح.	عطل	أحمر ثابت ومُتواصل	
إذا ظهر أحد رموز الخطأ من E0 إلى E4 على الشاشة، فيرجى الاتصال بفريق خدمة ما بعد البيع للإصلاح.			

למניעת תאונות לרבות מכת חשמל או שריפה הנגרמות כתוצאה משימוש לא נכון, אנא קראו מדריך זה בקפידה טרם השימוש במוצר ושמרו אותו אצלכם לעיון בעתיד.

## הוראות בטיחות

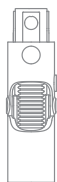
- מוצר זה מותר לשימוש על ידי ילדים בני 8 ומעלה ועל ידי אנשים הסובלים מקלות גופנית, תחושתית או שכלית, או בעלי ניסיון מוגבל או ידע מצומצם במידה והם נמצאים תחת השגחת הורה או מישהו ששומר עליהם וזאת על מנת להבטיח הפעלה בטוחה ולמנוע סכנות מכל סוג שהוא. פעולות הניקיון והתחזוקה לא יבוצעו על ידי ילדים ללא השגחה.
- שואב האבק אינו צעצוע. חל איסור על ילדים לשחק עם המוצר או להפעילו. אנא נקטו זהירות בעת השימוש בשואב האבק בקרבת ילדים. אין לאפשר לילדים לנקות או לבצע פעולות תחזוקה של שואב האבק אלא אם כן יש עליהם השגחה מצד הורה או אדם ששומר עליהם.
- אין לעשות שימוש בשואב האבק שטח פתוח או על גבי משטחים רטובים. השתמשו בשואב האבק רק על גבי משטחים יבשים במקומות סגורים. אין לגעת בתקע החשמל או בכל חלק אחר של שואב האבק בידיים רטובות.
- על מנת למנוע סכנת ההתלקחות, הפיצוץ או הפגיעה, וודאו כי סוללת הליתיום ומתאם הטעינה אינם פגומים טרם השימוש. אין לעשות שימוש בשואב האבק במידה וסוללת הליתיום או המטען פגומים.
- המברשת הרב-משטחית החכמה, המברשת המיני הממונעת, הסוללה, מוט סיבי הפחמן, והשואב הם מוליכי חשמל ואין לטבול אותם במים או בנוזל אחר. הקפד לייבש את כל הפילטרים לאחר הניקוי.
- כבדי למנוע פציעות כתוצאה מחלקים נעים, כבה את השואב לפני ניקוי המברשת הרב-משטחית החכמה. יש להתקין כראוי את המברשת הרב-שכבתית, כוסית האבק והפילטר לפני שימוש בשואב.
- יש להתשמש ככל האפשר במטען המגיע עם המוצר. אין לעשות שימוש במתאם שאינו רשמי, כיוון שהדבר עשוי לגרום להתלקחות של סוללת הליתיום.
- אין לעשות שימוש בשואב האבק ל שאיבת נוזלים מתלקחים או דליקים, כגון בנזין או חומר מלבין, אמוניה, תכשירי ניקוי לניקוז תעלות או נוזלים אחרים.
- אין לעשות שימוש בשואב האבק לשאיבת חלקיקים של קיר גבס, אפר כגון אפר של קמין או חומרים המעלים עשן או בוערים כגון פחם, בדלי סיגריות או גפרורים.
- יש לבצע סריקה של המשטח המיועד לשאיבה, ובמקרה שמוצאים חתיכות גדולות של נייר, פלסטיק או דברים חדים (כגון זכוכית, מסמרים, ברגים או מטבעות, אשר עשויים לגרום נזק למכונה). או כל דבר שגדול מפתח השאיבה, יש לפנותו לפני השאיבה על מנת למנוע חסימה של המכשיר.
- הרחיקו שערות, בגדים רפויים, אצבעות וחלקי גוף אחרים מפתחים וחלקים ניידים של שואב האבק. אין לכוון את הצינור, מטה או כלים לכיוון העיניים או האוזניים שלכם או להכניס אותם לתוך הפה שלכם.
- אין להכניס שום חפץ לתוך פתחי שואב האבק. אין לעשות שימוש בשואב האבק עם פתחים חסומים. הרחיקו אבק, מוך, שערות או פריטים אחרים שעשויים לצמצם את זרימת האוויר.
- אין להשעין את שואב האבק נגד כיסא, שולחן או משטח לא יציב אחר, כיוון שהדבר עשוי לגרום נזק למכונה או לפגיעה אישית. במידה ושואב האבק ניזוק בעקבות הפלה שלו או שיש בו תקלה מכל סוג אחר, אנא צרו קשר עם מחלקת השירות המוסמכת שלנו. לעולם אין לנסות ולפרק את המכשיר בעצמכם.
- יש להקפיד לנהוג בהתאם לכל ההוראות המופיעות במדריך זה המתקשרות לטעינה חוזרת של הסוללה. כשל בטעינה נכונה של הסוללה בטווח הטמפרטורה המצוין עלול לגרום נזק לסוללה.
- השתמשו רק באביזרים ובחלקי חילוף המומלצים על ידי היצרן.
- וודאו כי שואב האבק מנותק ממקור החשמל כאשר אינו בשימוש למשך פרקי זמן ארוכים כמו גם טרם ביצוע פעולות תחזוקה או תיקון מכל סוג שהוא.
- אנא נקטו זהירות יתרה בעת השימוש בשואב האבק לניקוי מדרגות.
- אין להתקין, להטעין או לעשות שימוש במוצר זהבשטחים פתוחים, בחדרי אמבטיה או סביב בריכה.

- אזהרה מפני סכנת התלקחות: אין לשים כל סוג שהוא של חומר ריחני לתוך מסנן שואב האבק. מוצרים מהסוג הזה ידועים כמכילים חומרים כימיים מתלקחים שעשויים לגרום להתלקחות של שואב האבק.
- השתמש רק במטען המקורי (דגם, ZD024M340090EU) כדי למנוע סכנת התלקחות של סוללת הליתיום-יון.
- השתמש רק בסוללה המאושרת (דגם P2033-8S1P-GYA) כדי למנוע סכנת התלקחות של סוללת הליתיום-יון.
- אם משתחרר חומר מהמצבר, הרחק את אנשי הצוות מהאזור עד שהמצברים יתקררו והאדים יתפזרו.
- דאג לאוורור מרבי, כדי לפזר גזים מסוכנים ולמנוע שאיפה או מגע של האדים עם העור או העיניים.
- נקה כל נוזל שנשפך באמצעות חומר סופג ושרוף את הפסולת.
- אין להשתמש ולאחסן בסביבות חמות או קרות במיוחד (מתחת ל- $0^{\circ}\text{C}/32^{\circ}\text{C}$  פרנהייט ומעל  $40^{\circ}\text{C}/104^{\circ}\text{C}$  פרנהייט). בשימוש בסוללה המקורית יש להטעין בטמפרטורת טעינה של בין  $0^{\circ}\text{C}$  ל- $40^{\circ}\text{C}$ .
- מוצר זה נועד לשימוש ביתי בלבד.

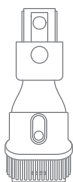
לעיון במדריך מקוון מפורט, בקר בכתובת  
<https://global.dreametech.com/pages/user-manuals-and-faqs>

# סקירת המוצר

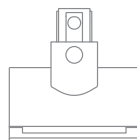
## רשימת אביזרים



מתאם חלק תחתון



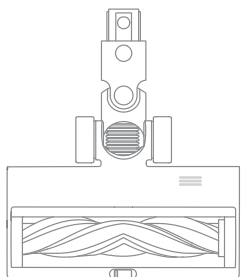
כלי שילוב רחב



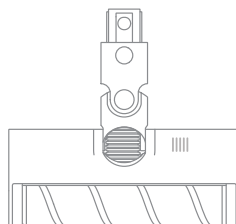
מברשת מיני ממונעת



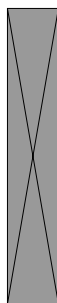
צינור סיבי פחמן



מברשת רב-משטחית חכמה



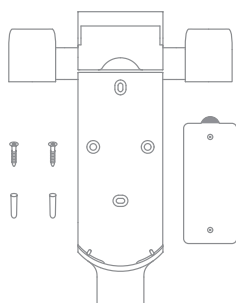
מברשת רולר רכה



כלי שילוב גמיש



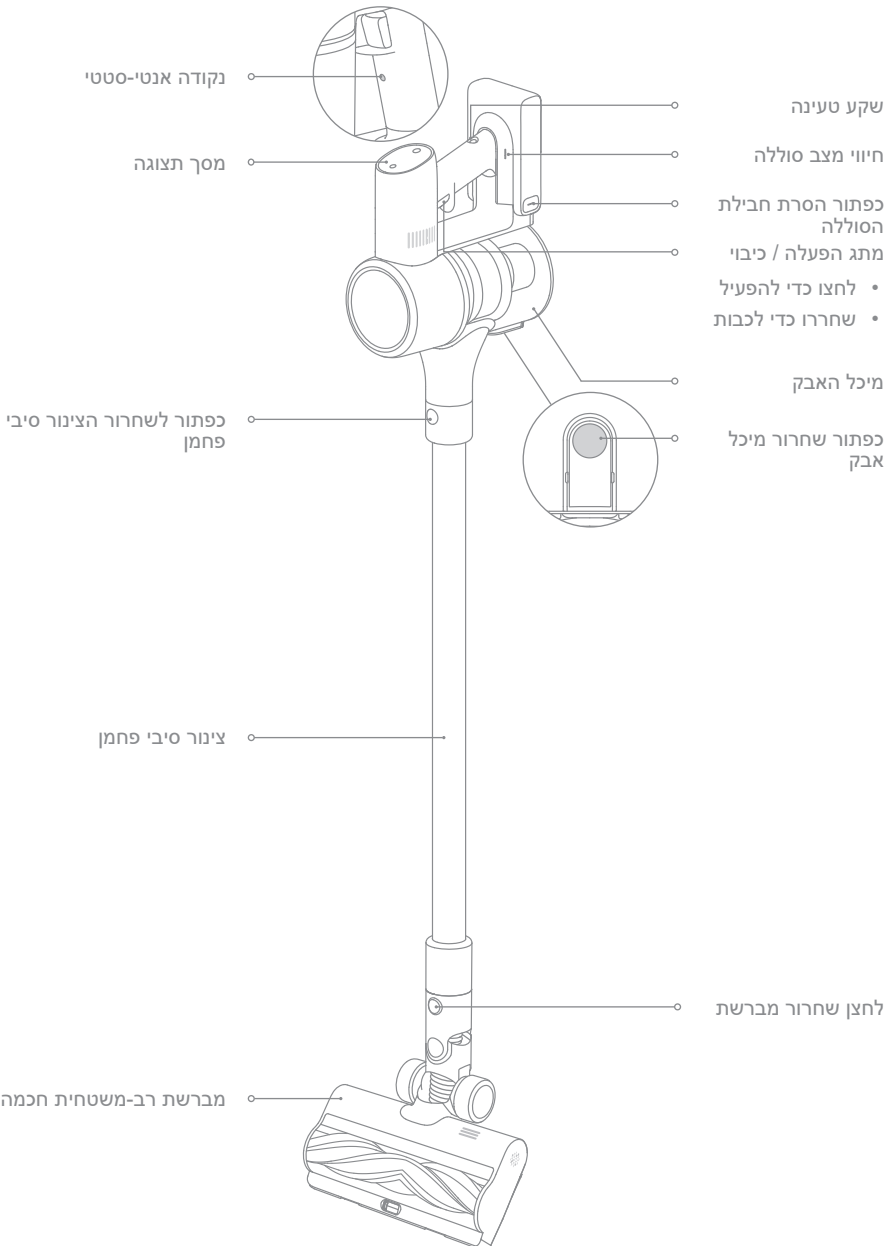
מתאם מתח



מתקן לטעינה ולאחסנה 2 בתוך 1  
(כולל ברגים X 2, תקעים לקיר X 2)

תזכורת: תמונות המפרט מיועדות לעיון בלבד, על המראה בפועל מבוסס על המוצר עצמו.

## שמות החלקים



# סקירת המוצר

## הכרת הפונקציות של מסך התצוגה.


התחממות יתר של הסוללה 

מברשת רולר תקועה 

תעלת האוויר חסומה: 

שגיאת סוללה 

המסנן הוסר/מסנן עומד לפוג 

טעינה/מחונן רמת סוללה נמוכה   
 • מהבהב באדום: רמת סוללה  $\geq 10\%$   
 • מהבהב אדום: רמת סוללה  $\geq 10\%$  (טוען)  
 • מהבהב ירוק: רמת סוללה  $< 10\%$  (טוען)

נעילת מתג הפעלה  
 לחצו כדי למתג למצב עבודה

אחוז רמת סוללה  
 כאשר מוצג "LO", רמת הסוללה  
 נמוכה מ-10%.

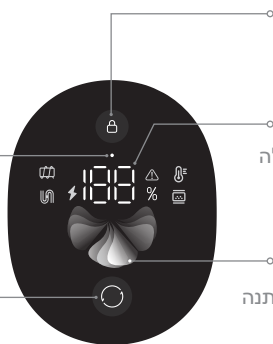
מצב נעילה

רמת יניקה/רמת אבק

צבע הסמל בצורת מאוורר משתנה  
 עם כמות האבק בזמן אמת.

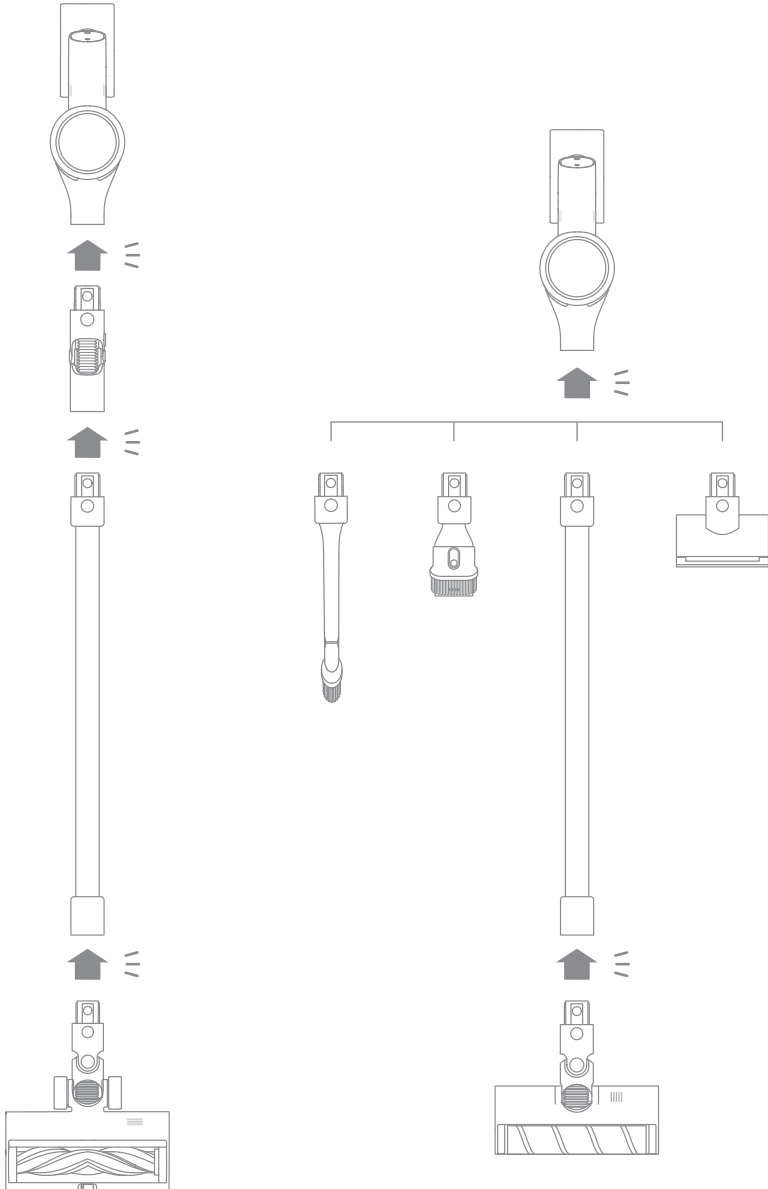
כפתור לכוונן מהירות  
 לחיצה קצרה יכולה להחליף  
 את הילוך העבודה של שואב  
 האבק

• אדום: גבו  
 • תפוז: אמצע  
 • ירוק: נמוך



## תרשים להתקנת שואב האבק והאבזרים

הכניסו עד להקלקה במקום



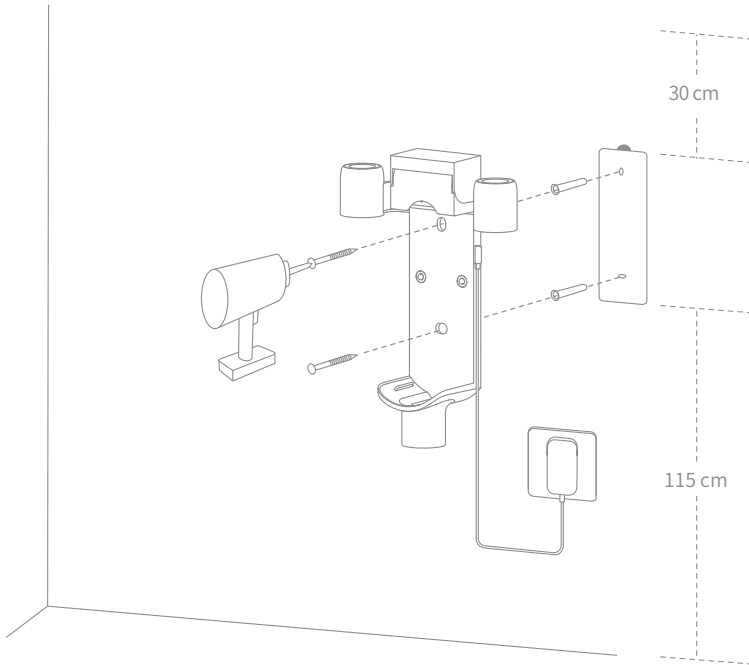
## מתקן הטעינה והאחסנה 2 בתוך 1

1. הדביקו את מדבקת קביעת המקום על הקיר כך שהוא שומר על איזון עם הרצפה. מומלץ שתחתית המדבקה תהיה במרחק הגדול מ 115 ס"מ מהרצפה, ושמעל המדבקה תהיה לפחות 30 ס"מ\* של איזור פתוח ללא עצמים מפריעים.

2. השתמשו בקדיחה עוצמתית עם מקדח 8 מילימטרים כדי לקדוח חור לכל חור מסומן על מדבקת תבנית המשענת, ואז הכניסו שקע לכל חור

3. תיישרו את החורים על הכן מתקן עם החורים שעל הקיר. הדקו אותם אל הקיר עם הברגים המצורפים.

(30cm\* - נועד להשאיר מקום לסוללה רזרבית הניתנת לרכישה בנפרד.)



הערה:

- כן מתקן הטעינה והאחסנה 2 בתוך 1 נחשב לאבזר אופציונלי, באפשרותכם להתקין אותו על סמך הדרישות שלכם.
- הערה: יש להתקין את מתקן האחסון במקום קריר ויבש הסמוך למקור חשמל. יש לוודא שאין קבלי חשמל או צינורות העוברים מאחורי מקום ההתקנה.

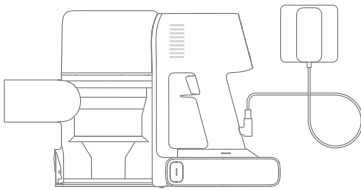


הערה:

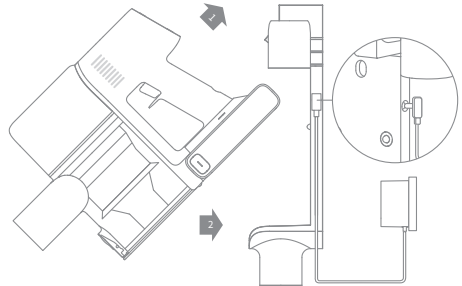
- הטעינה את שואב האבק עד הסוף טרם השימוש בו בפעם הראשונה.
- זמן הטעינה הוא כ-4 שעות.
- שאיבת אבק במצב טורבו למשך פרק זמן ממושך יביא להתחממות של הסוללה, מה שיגדיל את זמן הטעינה. אפשרו לשואב להתקרר למשך 30 דקות לפני טעינתו.

## צורות טעינה

טעינת שואב האבק עם המטען



טעינת שואב האבק עם עמדת ההטענה



## צורות תצוגת מצב סוללה

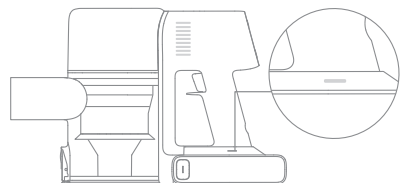
מסך תצוגה

מסך התצוגה מציג את מצב הטעינה באחוזים הדיגיטליים בעת טעינה, והטעינה תושלם כשמוצג 100%.



נורת חייווי מצב הסוללה

בזמן הטעינה, שלושת נורות החיווי יבהבו באופן ממושך, ויהפכו לדלוק קבועה על פי מצב הטעינה. כאשר הטעינה הסתיימה שלושת נורות החיווי יהיו במצב דלוק קבועה. שימו לב: ברגע ששואב האבק טעון במלואו, החיווי ייכבה לאחר 5 דקות, ושואב האבק ייכנס למצב של חיסכון בחשמל.



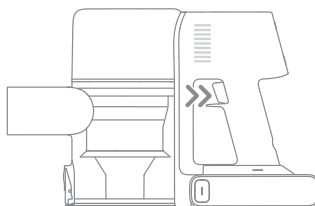
# כיצד להשתמש

## מצבי עבודה

ישנם שני מצבי עבודה לשואב האבק, אותם ניתן לבחור בהתאם לצרכים שלכם.

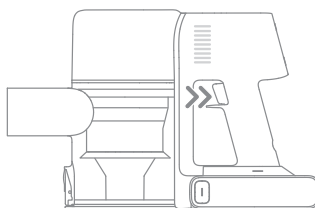
### מצב 1: מצב ניקוי לא רצוף

לחצו והחזיקו את מתג שואב האבק כדי להתחיל לעבוד, ושחררו אותו כדי להפסיק מיד.




### מצב 2: מצב ניקוי רציף (נעילה אלקטרונית)


כשהמכשיר במצב עבודה פעיל, לחץ לחיצה בודדת על כפתור \* לשנות למצב עבודה רציף, בזמן זה שחררו את המתג הפעלה, והמכשיר יפעל במצב רציף. השתמשו במנעול האלקטרוני כדי לשחרר את האצבעות ולהימנע מעייפות האצבעות הנגרמת על ידי לחיצה על המתג.



הערה:

- בזמן פעולה במצב עבודה רציף, נורת החיווי מצב נעול ידלוק באופן קבוע
- לחצו שוב על  כדי לצאת ממצב הניקוי הרצוף.

## מתג הילוכים

לחץ על כפתור  להחלפה בין מצבי אוטו וטורבו. במצב טורבו, כל הסמילים בצורת מאוורר ידלקו בלבן. רק במצב אוטומטי, רמת היניקה וצבע סמל המאוורר, משתנים עם כמות האבק שנשאפת.

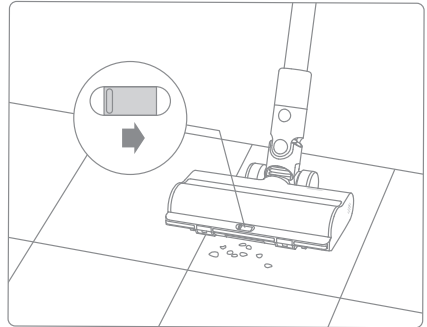
## שימוש באביזרים אחרים

### מברשת רב-משטחית חכמה

הערה:

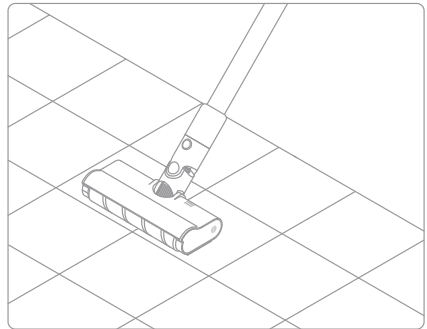
- ניתן לחבר את המברשת החכמה הרב-משטחית ישירות לשואב.
- כאשר המכשיר מופעל, האורות שלפני המברשת הגלגלית יידלקו באופן אוטומטי, וזה נוח לשימוש.

- מתאים לנקיון של שטיחים על סיבים בינוניים וקצרים, וכן ניתן להשתמש בו לניקוי בלטות ופרקט.
- לשאיבת חלקיקים גדולים על ידי הפעלת המתג על המברשת, כגון פולי קפה, פתיתי תירס וכו'.



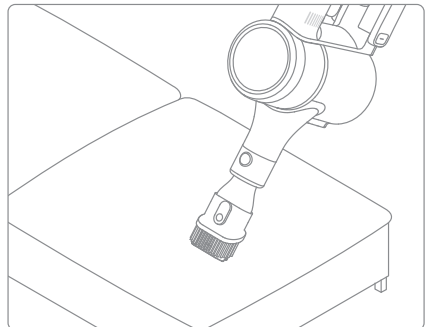
### מברשת רולר רכה

מתאים לניקוי רצפות קשות כמו רצפות שיש.



### כלי שילוב רחב

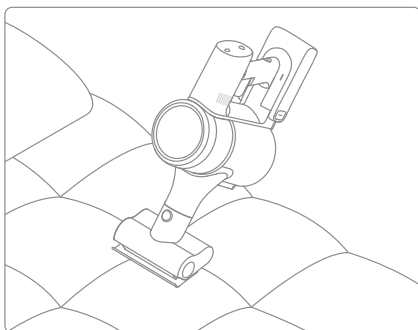
מתאים לניקוי אבק מוילונות, מקלדות, תקרות ופנים הרכב.



## כיצד להשתמש

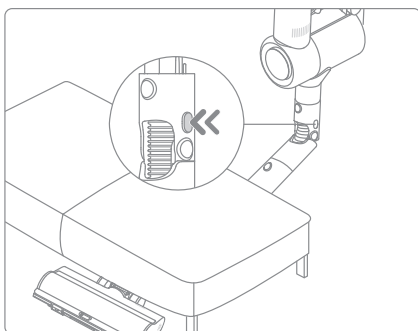
### מברשת מיני ממונעת

מתאים לשימוש לניקוי של אבק ושערות בעלי חיים על ספות, אריגים וכו' הערה: לא מומלץ לשימוש על משתחים שנפגעים בקלות (כגון משי וכו').



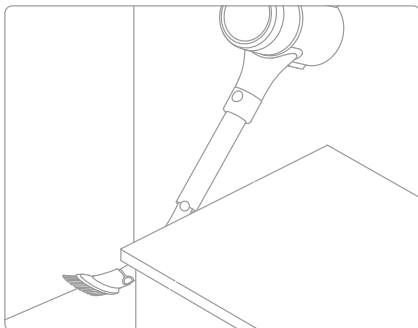
### מתאם חלק תחתון

בכפתור אחד מתכופף ונכנס למקומות נמוכים, מספק לצורכי ניקיון מתחת למיטות, ספות, ועוד תחתיות של רהיטים נמוכים.



### כלי שילוב גמיש

פיית מברשת ניתנת לכיפוף ונשלפת, גמישה יותר לשאיבת אבק במרווחים צרים.



### תזכורת:

- אם חלק מסתובב נתקע, הוואקום עלול להיכבות אוטומטית. הסירו את כל החפצים הזרים שנלכדו, ואז המשיכו להשתמש.
- השואב ייכבה אוטומטית אם המנוע שלו יעבור למצב הגנה מפני התחממות יתר. המתינו עד שטמפרטורת המנוע תחזור לקדמותה לפני שתמשיכו להשתמש.

## טיפים:

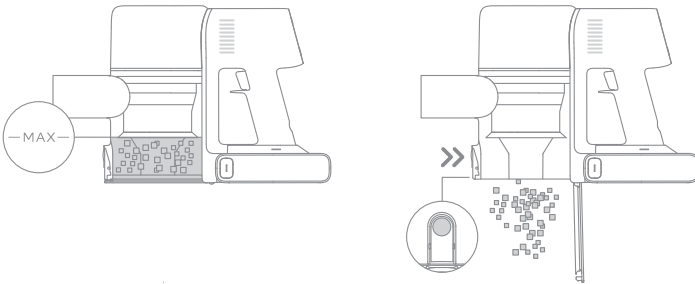
- השתמשו תמיד בחלקים מקוריים על מנת למנוע ביטול של האחריות שלכם על המוצר.
- במידה והמסנן או פי צינור נחסמים, שואב האבק יפסיק לפעול פרק זמן קצר לאחר שמכבים אותו. להחזרת תפקוד שואב האבק לקדמותו, נקו את המסנן או את פי הצינור ורק לאחר מכן המשיכו בשימוש.
- במידה ולא מתוכנן לעשות שימוש בשואב האבק למשך פרק זמן ארוך, הטעינו אותו עד הסוף, נתקו את המתאם שלו ואחסנו אותו בסביבה קרירה עם רמת לחות נמוכה הרחק מאור שמש ישיר. למניעת פריקת יתר של הסוללה, הטעינו מחדש את שואב האבק לכל הפחות פעם ב-3 חודשים.

## ניקיון שואב האבק

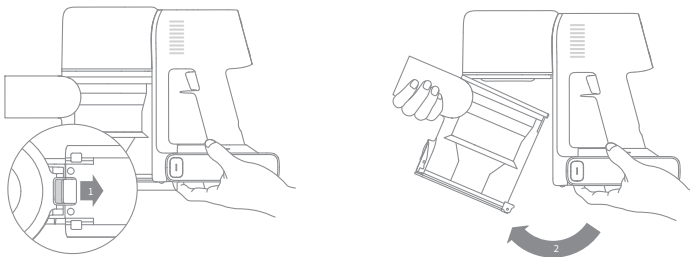
נגבו את שואב האבק בעזרת מטלית יבשה ורכה.

## נקיון תא האבק, המסנן ומערכת הציקלון

1. לחצו על הכפתור שבתחתית מכסה תא האבק בכיוון החץ, ואז רוקנו את תוכנו.



2. דחפו את מתג שחרור תא האבק בכיוון שהחץ מורה, ואז הסירו בעדינות את תא האבק משואב האבק.

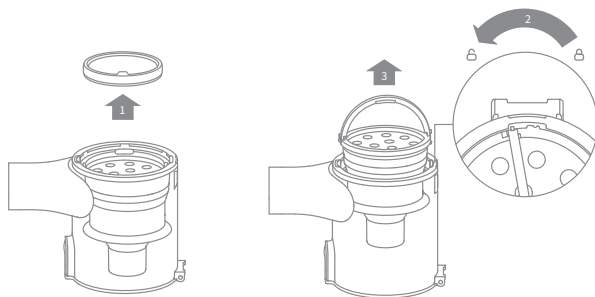


## תזכורת:

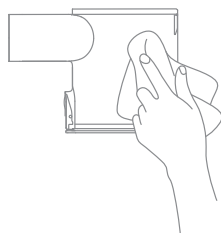
- יכולת הניקיון של שואב האבק תופחת אם תא האבק יהיה מלא עד לסימן המקסימום. כדי לטייב תוצאות, רוקנו את תא האבק אחת לכמה זמן.
- לפני ריקון התא, ודאו ששואב האבק מנותק מהחשמל, ואל תלחצו על כפתור ההדלקה.

# טיפול ותחזוקה

3. הסירו קודם את המסנן, ואז הרימו את הידית של מערכת הציקלון ותעבירו נגד כיוון השעון עד שזה עוצר, אז משכו כדי להרים את מערכת הציקלון.



4. נגבו את האבק במטלית רכה ורטובה. שימו לב לסחיסת הבוד לפני השימוש.



מיכל האבק מכיל מרכיבים חשמליים,  
נא לא לשטוף אותו ישירות במים!

5. אגה השתמשו במים צחים לנקות בשטיפה את המסנן הקדמי ואת המערכת הציקלונית עד שהם נקיים. לאחר השטיפה יבשו את החלקים לכל הפחות 24 שעות על מנת לוודא שיתייבשו לחלוטין.



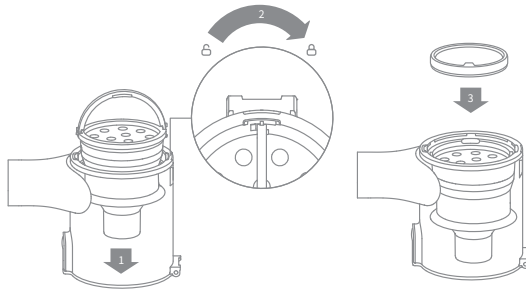
מערכת ציקלון

מסנן

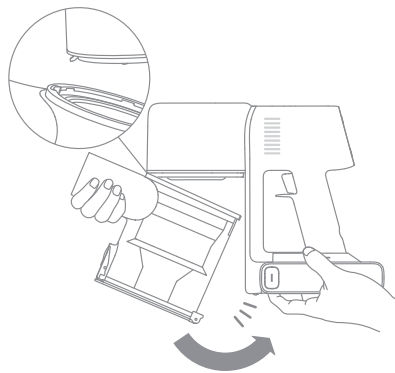
תזכורת: מומלץ לנקות את המסנן הראשי לפחות פעם אחת בכל 3 חודשים. ואת מנגנון הציקלון לפחות פעם ב-6 חודשים.

## התקנת תא האבק, הסנן ומערכת הציקלון

1. הכנס את מערכת הציקלון באופן אנכי לתא האבק, וודאו שהידית של אוסף הציקלון נכנסת במקום בצד השמאלי של תא האבק. הפנה את הידית לכיוון השעון עד שהיא ננעלת, ואז הפכו את הידית למטה.
2. מקמו את המסנן על הצד הקדמי עם הפנים למעלה לתוך מערכת הציקלון



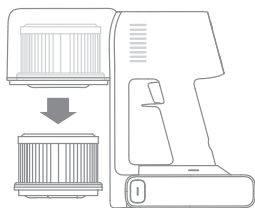
3. הטו בעדינות את תא האבק למקומו בצורה ישירה עם האטם של שואב האבק. לחצו בעדינות על תא האבק בכיוון החץ עד שהוא נכנס למקומו (בהגעתו תישמע "קליק").



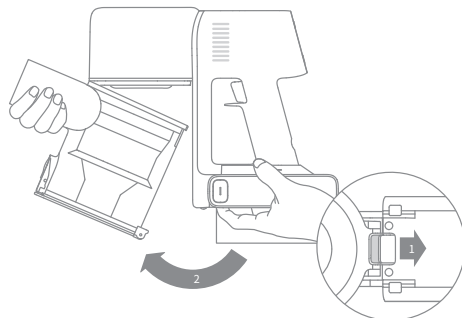
# טיפול ותחזוקה

## נקיון מסנן ה

2. הסירו את סנן המשוואב האבק על ידי משיכתו מטה בכיוון שנראה בציור.

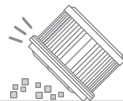
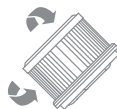


1. הסירו את תא האבק כפי שנראה בציור.



4. תנו למסנן ה להתייבש באוויר 24 שעות.

3. נקו את סנן ה עם מים נקיים. ודאו שאתם מסובבים את סנן ה  $360^\circ$  והסירו את כל האבק שנותר בסנן. טפחו על הסנן בעדינות מספר פעמים כדי להסיר את כל הלכלוך שנותר.



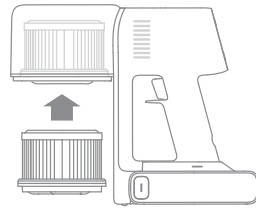
תזכורת:

- מומלץ לנקות את מסנן ה לפחות פעם בארבעה עד שישה חודשים.
- השתמשו רק במים נקיים כדי לשטוף את המסנן. אל תשתמשו בחומרי ניקוי.
- אל תנסו לנקות את ה עם מברשת או עם אצבע

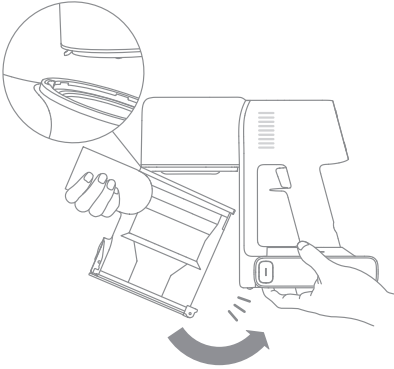


## התקנת סנן ה

1. הכניסו את סנן ה לתוך שואב האבק ודחפו אותו למטה בעדינות, לפי הדוגמה

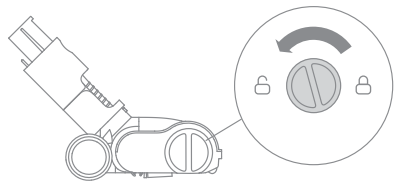


2. התקינו מחדש את תא האבק

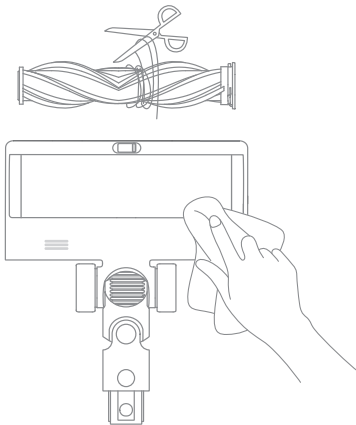


## ניקוי המברשת הרב-משטחית החכמה

1. סובבו את המנועל נגד כיוון השעון עד שהוא נעצר, ואז הסירו את הגלגלת מהמברשת הגלגלית.

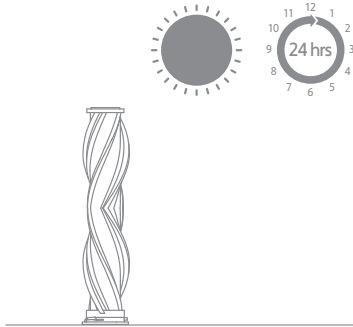


2. השתמשו במספריים כדי לגזור את השערות והסיבים שנתקעים על גלגלת המברשת. נגבו את האבק מהחריץ והכיסוי השקוף במטלית יבשה או במגבת נייר. יש לייבש ביסודיות לפני השימוש.

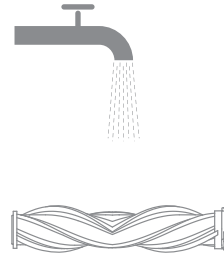


# טיפול ותחזוקה

4. יש להחזיק את גלגלת המברשת זקופה למשך 24 שעות לפחות עד שהיא מתייבשת לחלוטין.

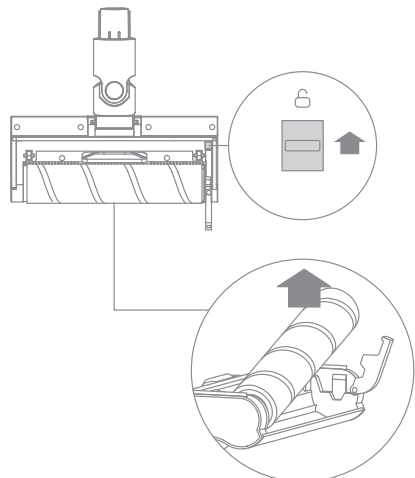


3. כאשר הוא מלוכלך, לשטוף את גלגלת המברשת עם מים נקיים עד שהוא נקי.

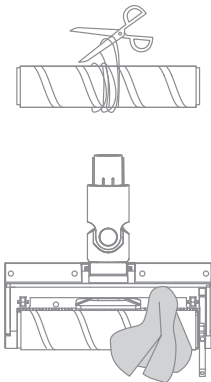


## ניקוי מברשת הרולר הרכה

1. כפי שמוצג בתמונה, לחץ על הכפתור לשחרור רולר המברשת כדי להסיר את הגליל מהחריץ.

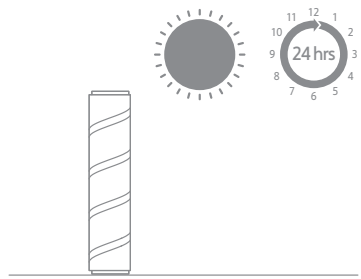


2. השתמש במספריים כדי לגזור את השערות והסיבים שנתקעו על רולר המברשת והגלגלים. נגב את האבק מהחריץ והכיסוי השקוף, עם מטלית יבשה או מגבת נייר. יבש היטב לפני השימוש.

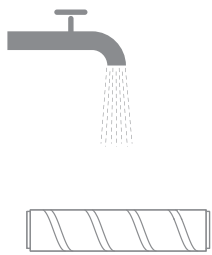


# טיפול ותחזוקה

4. יש להחזיק את גלגלת המברשת זקופה למשך 24 שעות לפחות עד שהיא מתייבשת לחלוטין.

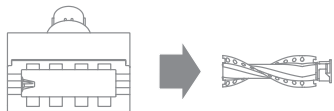


3. כאשר הוא מלוכלך, לשטוף את גלגלת המברשת עם מים נקיים עד שהוא נקי.



## ניקוי מברשת המיניממונעת

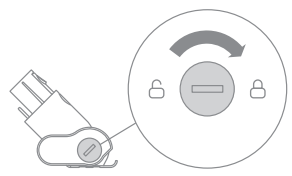
2. לאחר ביטול הנעילה של המיני-מברשת הממונעת, הסר את גלגלת המברשת, ולאחר מכן שטפו ונקו אותה.



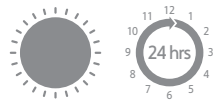
1. השתמשו במטבע בהתאם לאיור לסיבוב הנעילה כנגד כיוון השעון עד שתשמעו צליל הקלקה.



4. לאחר ייבוש המברשת הגלגלית, התקינו אותה מחדש על ידי ביצוע שלבי הפירוק לאחור.



3. החזיקו את גלגלת המברשת זקופה באזור מאוורר היטב למשך 24 שעות לפחות עד שהיא מתייבשת לחלוטין.

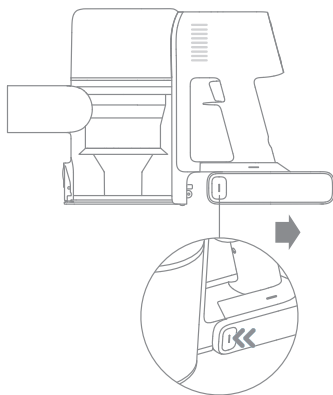


## חבילת הסוללה

יון, שניתנת להסרה, בעל מספר מוגבל של מחזורי טעינה. לאחר שימוש ממושך, ייתכן שמארז הסוללות כבר לא יחזיק בטעינה. אם זה קורה, המשמעות היא שחבילת הסוללה הגיעה לסוף מחזור החיים שלה ויש להחליפה.

1. לחצו על הכפתור לפירוק הסוללה, והחליקו את הסוללה לאחור לשחרורו.

2. התקינו סוללה חדשה.



שואב אבק			
34 V ===	דגם המוצר	VTV97A	שואב אבק
29.6 V ===	כוח טעינה	570 W	דרגת מתח
משוער: 4 שעות			סיווג הספק
מברשת רב-משטחית חכמה			
VMB9			סיווג מתח
25.2 V ===	מתח מדורג	40 W	כוח חשמל מדורג
מברשת רולר רכה			
ASF4			סיווג מתח
25.2 V ===	מתח מדורג	40 W	כוח חשמל מדורג
מברשת מיני ממונעת			
VMM4			סיווג מתח
25.2 V ===	מתח מדורג	20 W	כוח חשמל מדורג
מתאם מתח			
87.01%	יעילות פעילה ממוצעת	ZD024M340090EU	דגם
77.01%	יעילות בעומס נמוך (10%)	100-240V~50-60Hz. 0.8 A max	סיווג כניסת מתח
0.1 W	צריכת חשמל ללא עומס	34 V === 0.9 A	סיווג יציאת מתח
סוללת ליתיום נטענת			
P2033-8S1P-GYA			סיווג מתח
2900 mAh	קיבולת נומינלית	29.6 V ===	מתח נומינלי
2750 mAh	סוללה קיבולת	81.4 Wh	אנרגיה

מארז סוללת ליתיום-יון מכיל חומרים מסוכנים לסביבה. לפני שתיפטרו משואב האבק, ראשית הסירו את מארז הסוללה, ומחזרו אותו בהתאם לחוקים ולתקנות המקומיות של המדינה או האזור שבו הוא משמש.

## שאלות שנשאלות לעיתים תכופות

במידה ושואב האבק אינו פועל בצורה תקינה, אנא עיינו בטבלת איתור התקלות ופתרון הבעיות שלהלן.

שגיאות תכופות	סיבות אפשריות	פתרונות
שואב האבק לא עובד	שואב האבק הינו ללא סוללה או מתח עבודה נמוך.	טענו את שואב האבק לחלוטין, ואז המשיך להשתמש בו.
	מצב הגנת חימום יתר מופעל על ידי חסימה.	המתינו עד שהשואב יתקרר ואז הפעילו אותו מחדש.
	פתיחת יניקה או מעבר דרכי מעבר האוויר חסומות.	נקו חסימות מפתחי יניקה או דרכי מעבר האוויר
כוח יניקה חלש	תא האבק מלא ו/או מכלול מסנני סתום.	רוקנו את תא האבק ונקו את מכלול מסנן.
	האביזר סתום.	נקה חסימות באביזר.
המנוע משמיע רעש מוזר	פיית השאיבה המרכזית או צינור סיבי הפחמן נסתם	נקה את העצם החוסם את פיית השאיבה המרכזית או צינור סיבי הפחמן
הנורת חיווי הראשונה לאחר הפעלת השואב	הסוללה פגומה.	אנא צור קשר עם מוקד שירות הלקוחות לצורך תחזוקה.
הנורת חיווי הראשונה לאחר הפעלת השואב	מתאם החשמל אינו תואם.	השתמשו רק במתאם הכוח המקורי כדי לטעון את שואב האבק.
חיווי הסוללה לא נדלק בזמן טעינה	המתאם אינו מחובר לשואב האבק.	ודאו שמתאם החשמל מחובר כראוי.
	הסוללה טעונה במלואה ועברה למצב שינה.	ניתן להשתמש באופן רגיל.
	אם הבעיה נמשכת לאחר שלילת שתי האפשרויות לעיל, אנא צרו קשר עם מוקד שירות הלקוחות לצורך תחזוקה.	
נטען לאט	טמפרטורת הסוללה נמוכה מדי או גבוהה מדי.	המתינו עד שהטמפרטורה של הסוללה תחזור למצב רגיל, אז המשיכו להשתמש.
נורות LED של המברשת החכמה הרב-משטחית לא פועלות.	נורות LED פגומות.	אנא צרו קשר עם מוקד שירות הלקוחות לצורך תחזוקה.

בזמן שהמכשיר לא עובד שצורה שגרתית או שעל גבי המסך מופיע הודעה חריגה, יש לקרוא את המופיע על המסך ולטפל בבעייה על פי טבלת השגיאות המצורפת.

קוד שגיאה	מצב	חיווי לשגיאה	פתרונות
	מהבהב באדום	התרעת טמפרטורה גבוהה	המתינו עד שהטמפרטורה של הסוללה תחזור למצב רגיל, ואז המשיכו להשתמש.
	כתום מהבהב	מברשת רולר תקועה	עיין במדריך התחזוקה [ניקוי המברשת הרב-משטחית חכמה] כדי לנקות את הסיבים והשערות הכרוכות סביב רולר המברשת.
	כתום מהבהב	תעלת האוויר חסומה:	בדוק אם כוסית האבק, מוט סיבי הפחמן והמברשת החכמה הרב-משטחית חסומים.
	כתום מהבהב	מסנן עומד לפוג	אנא החלף את המסנן בזמן. לאחר החלפת המסנן, לחץ והחזק את מנעול מתג ההדק למשך 3 שניות לאיתחול המסנן.
	כתום קבוע	המסנן הוסר	בדקו האם המסנן הפנימי והמסנן הקדמי מותקנים.
	אדום קבוע	שגיאת סוללה:	אנא צרו קשר עם מוקד שירות הלקוחות לצורך תחזוקה.
במידה ומופיעים על הצג אחד מבין קודי השגיאה E0-E4, אנא צור קשר עם צוות ת שלאחר קניה לתיקון.			