

卡搭 CaDA

Designed in California

CaDA  
**TECHNIC**



Double E

Building Blocks  
Remote-controlled Running Function



Age

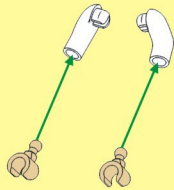
6 +

C51010

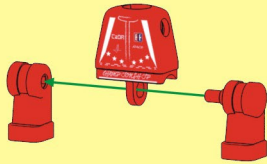
**RC**  
RADIO CONTROL



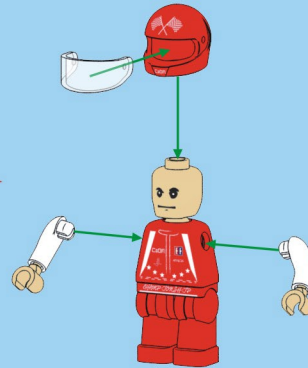
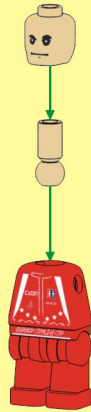
**1**



**2**



**3**

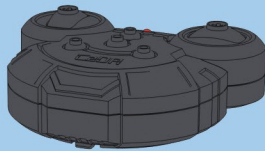


x2



x2

2



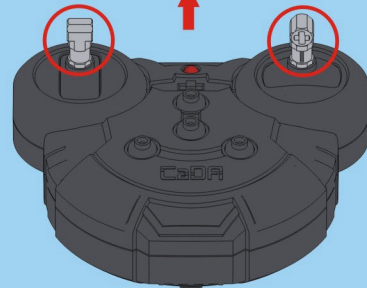
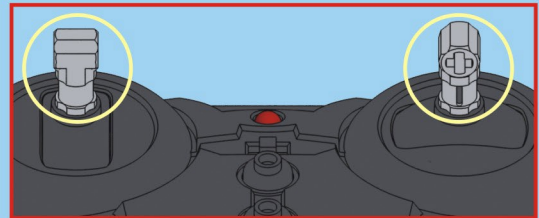
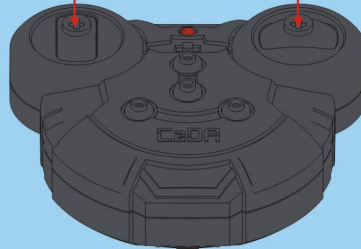
x1



2



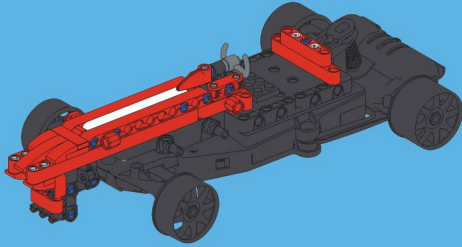
2



2

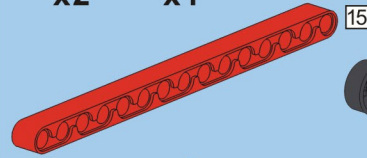
1:1

# A

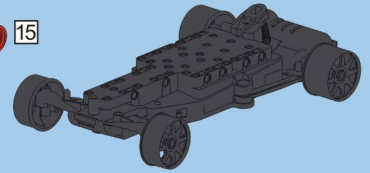


x2

x1

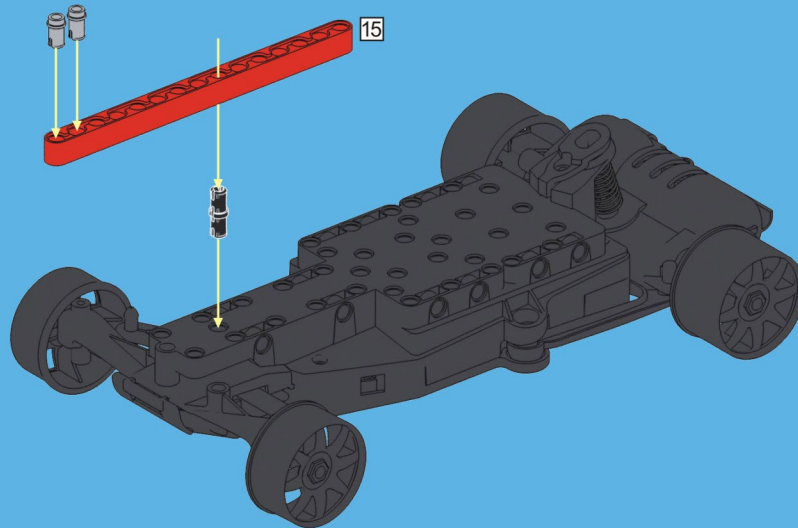


x1



x1

# A1

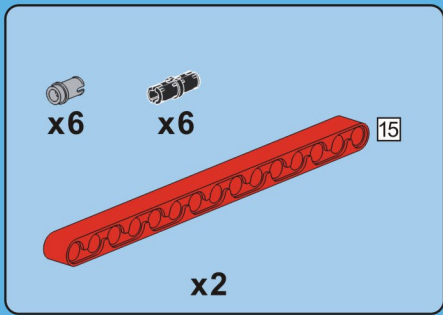


15

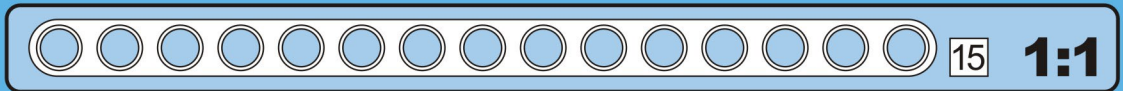
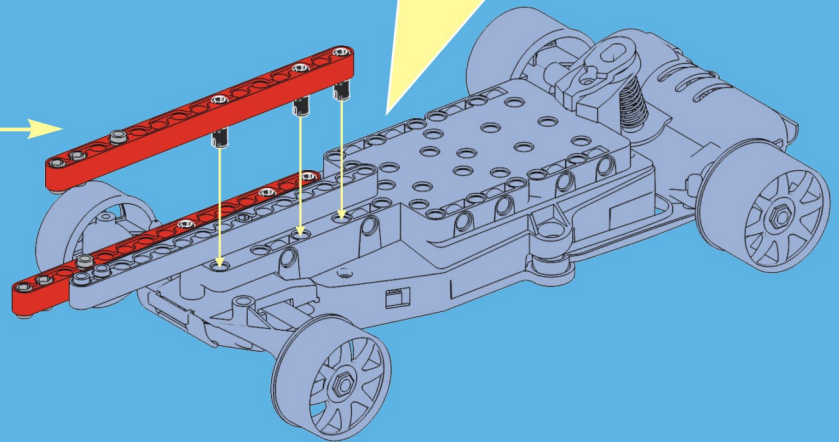
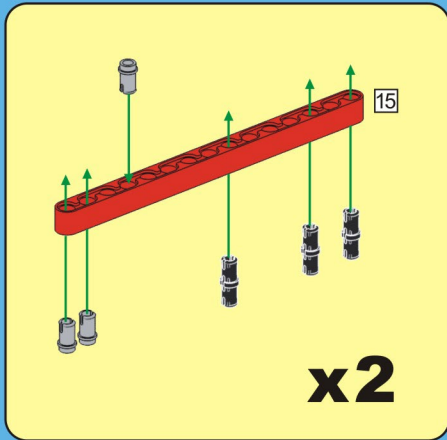
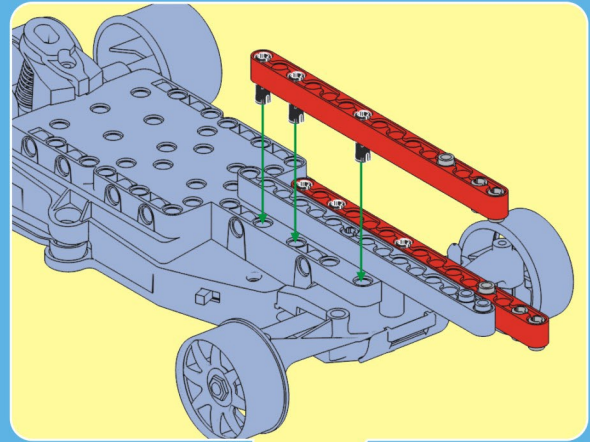


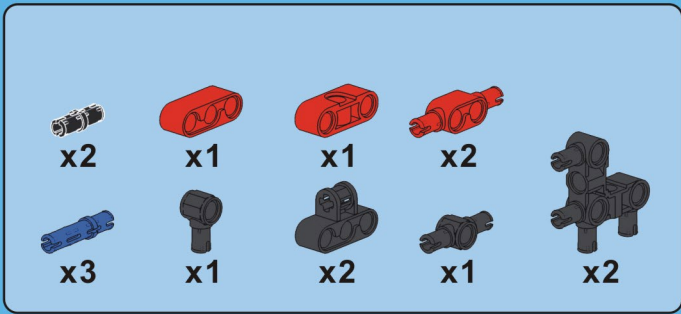
15

1:1

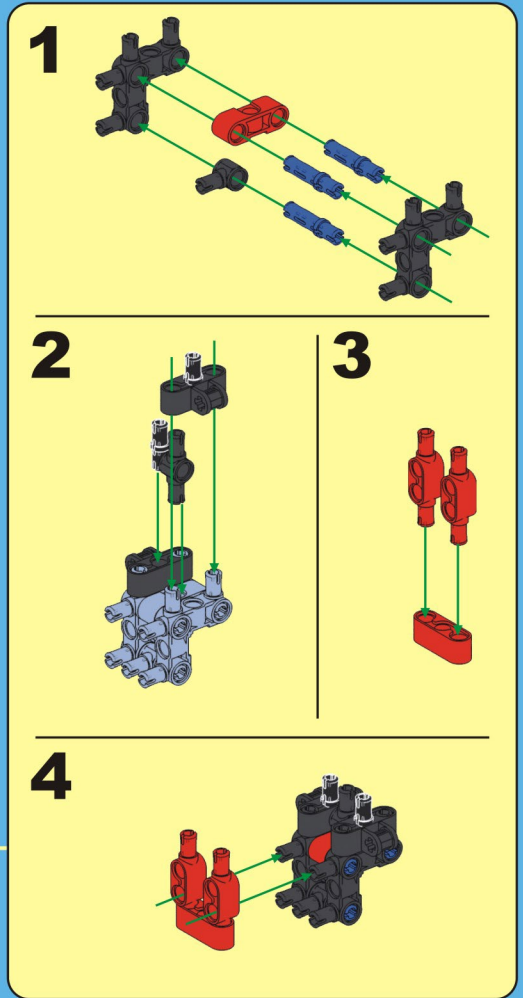
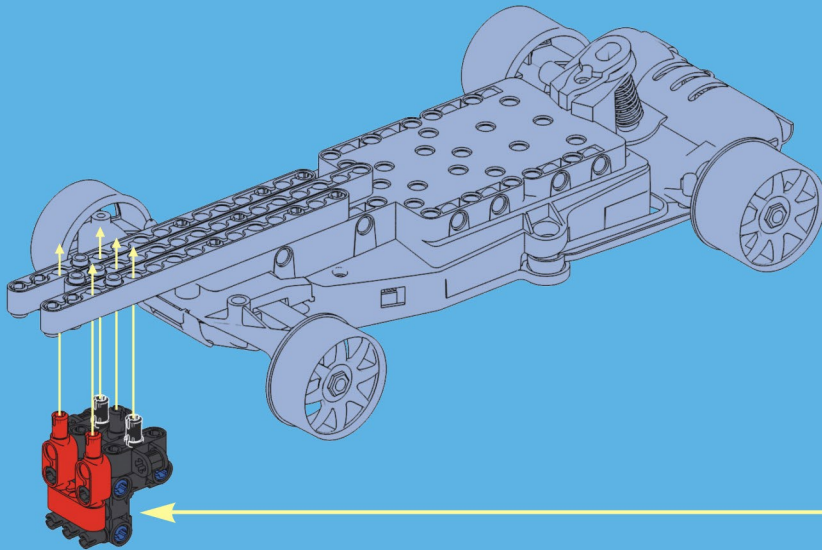


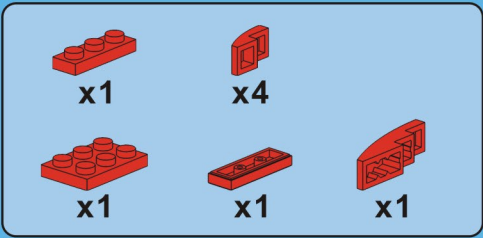
**A2**



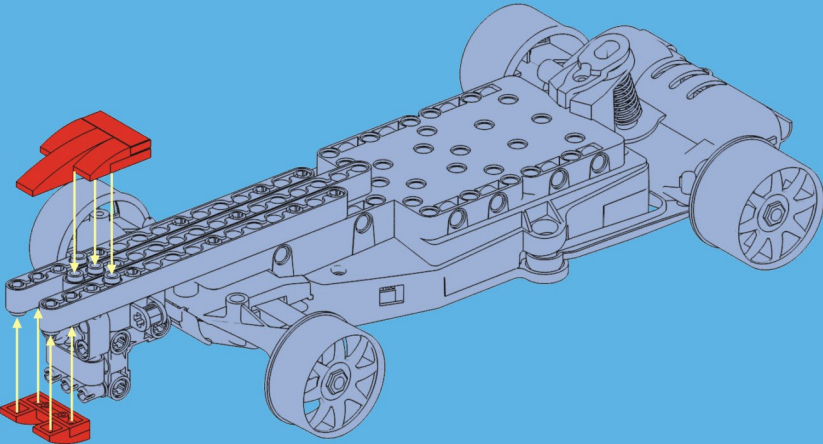
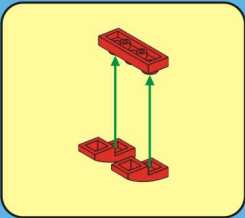
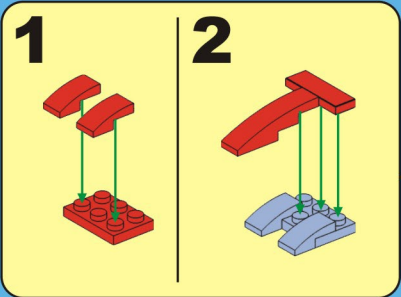


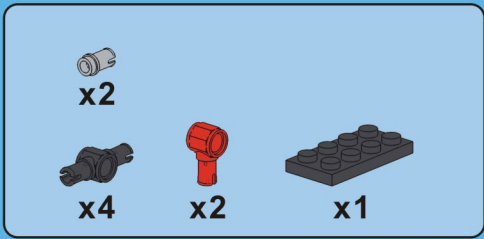
# A3



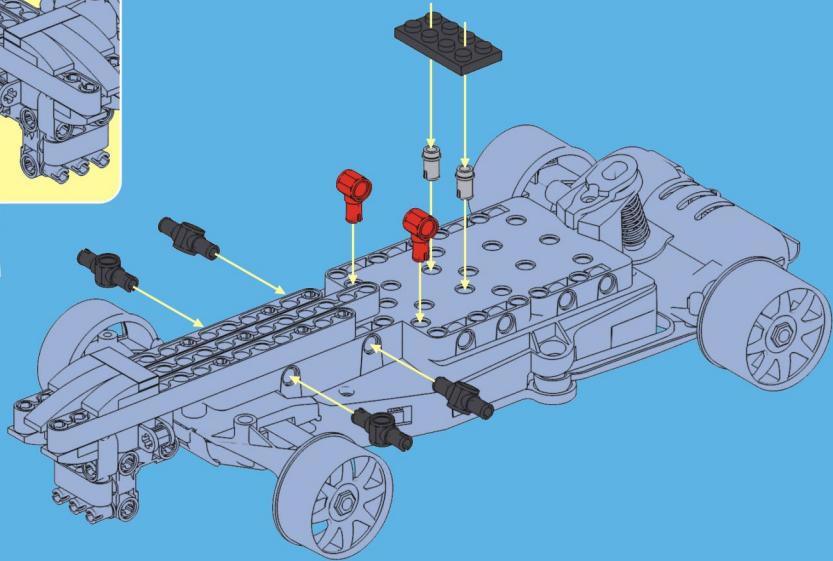
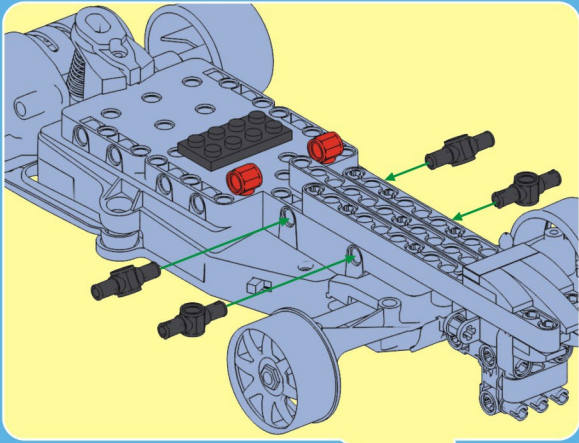


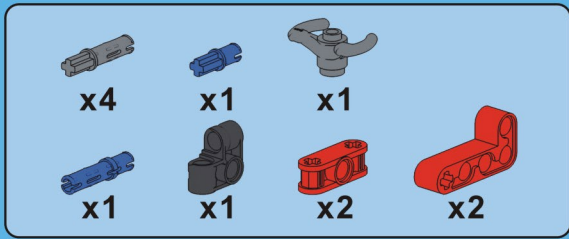
# A4



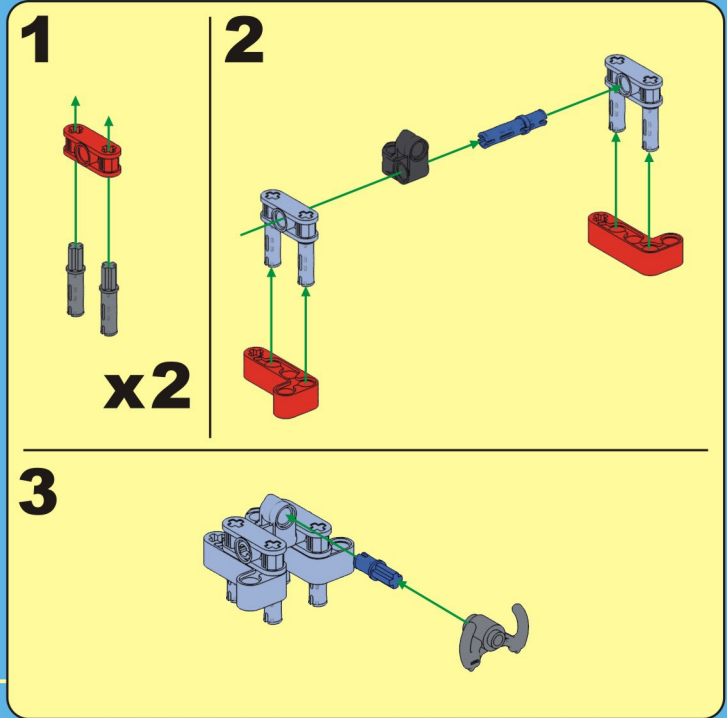
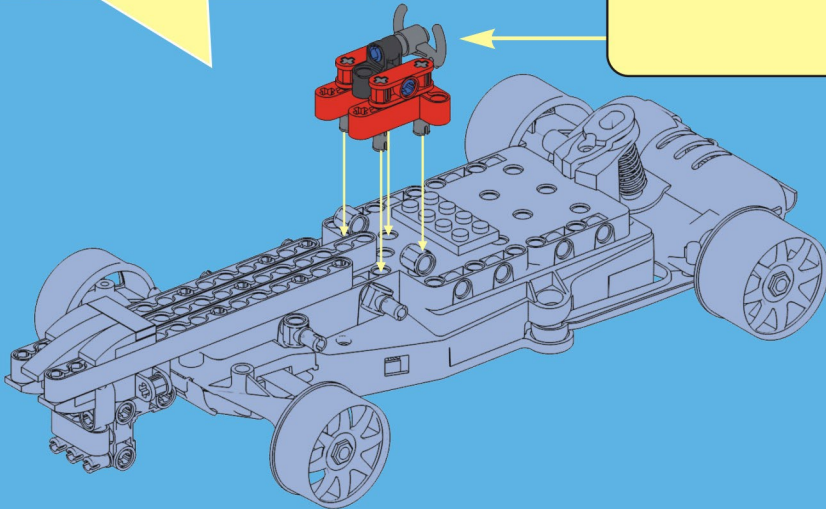
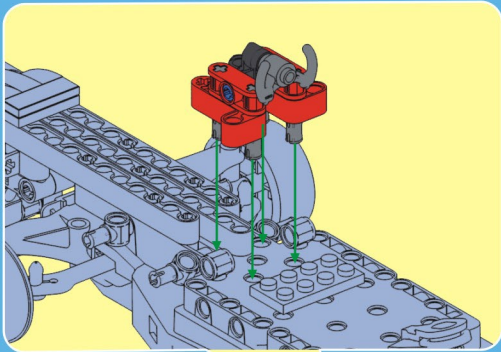


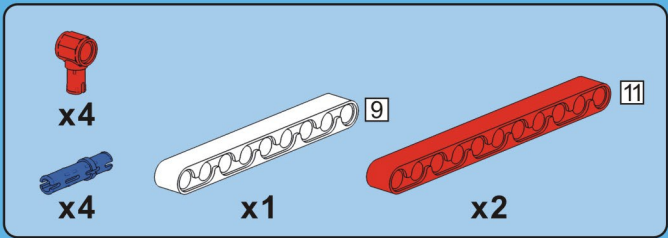
# A5



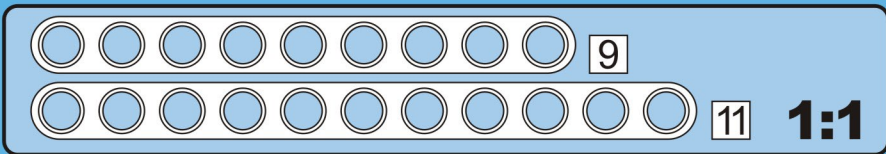
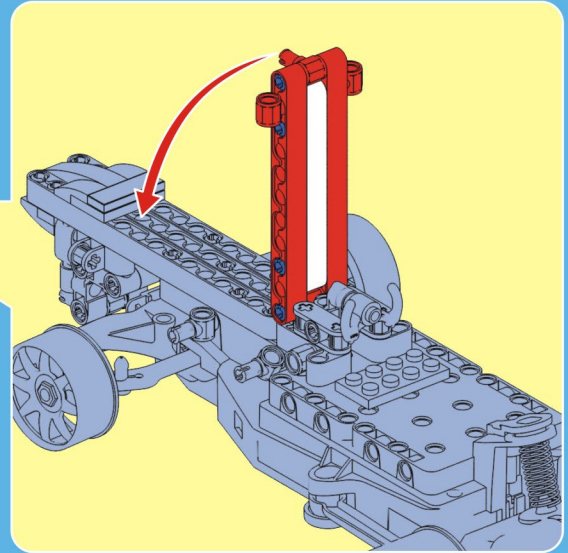
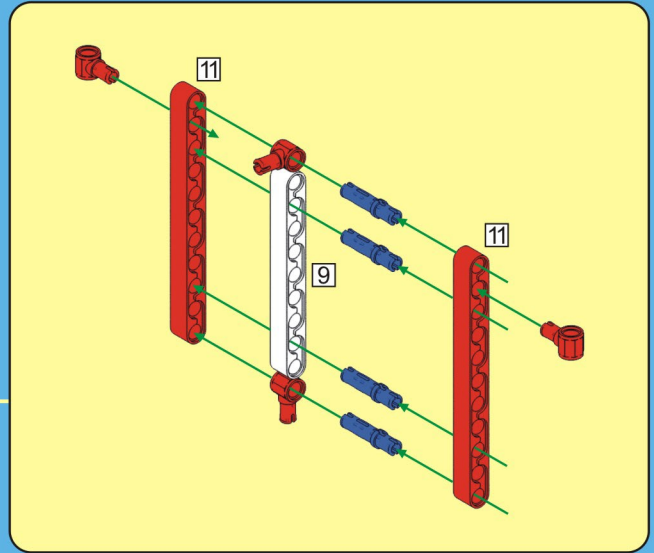
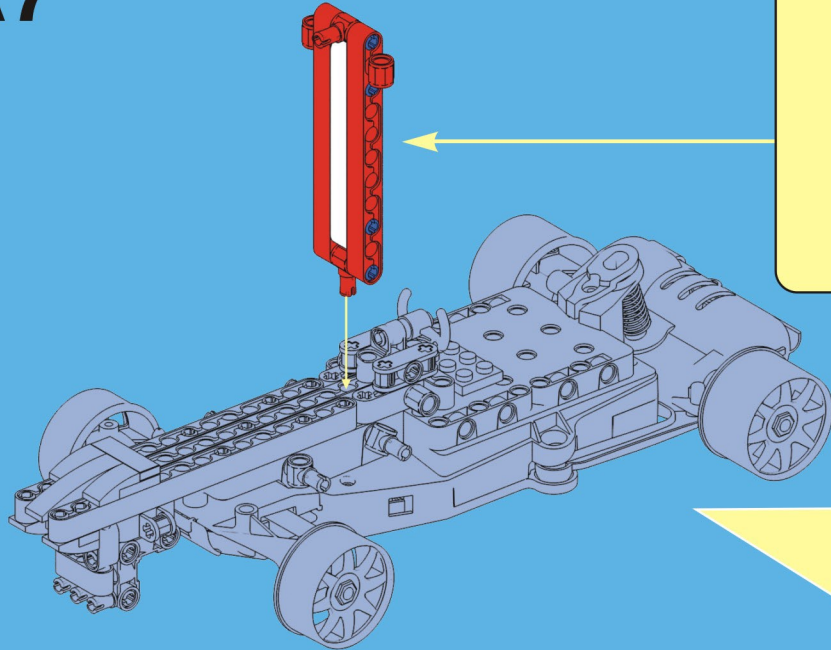


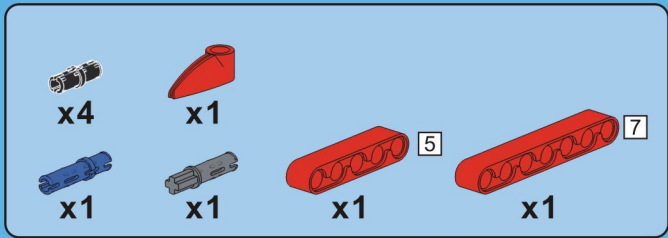
# A6



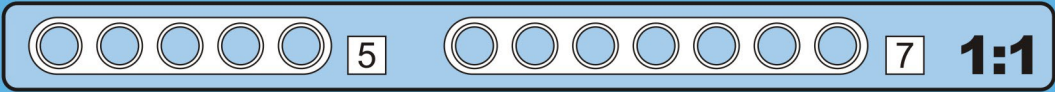
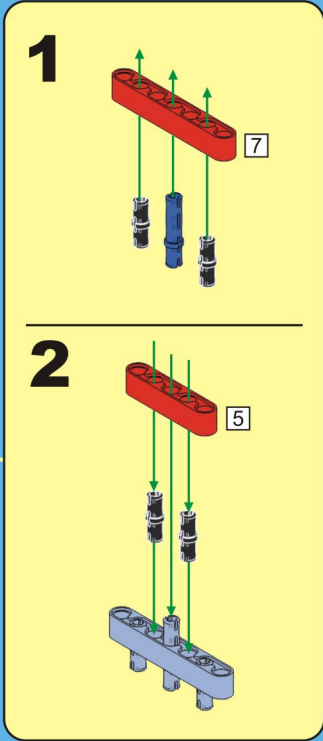
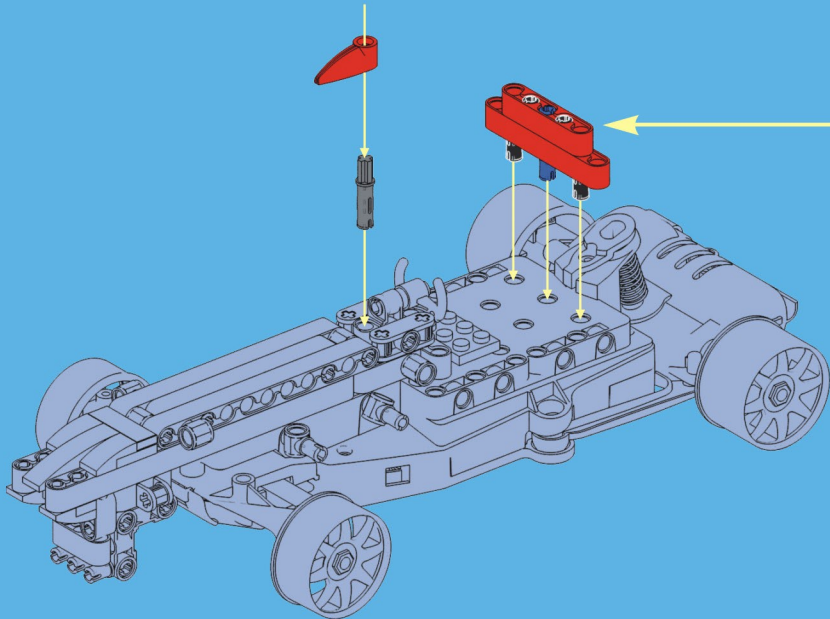


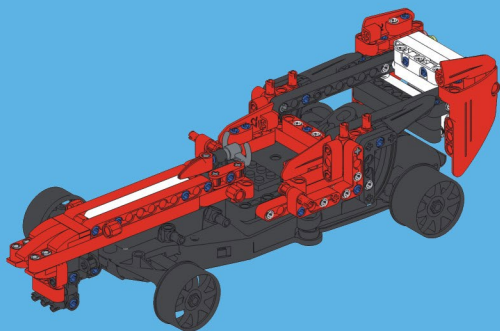
# A7





# A8



**B**

x2



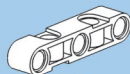
x3



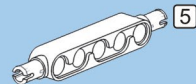
x2



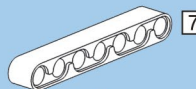
x2



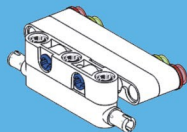
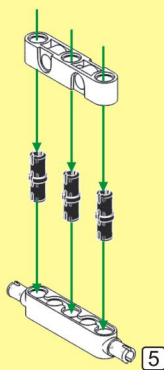
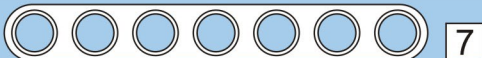
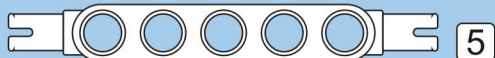
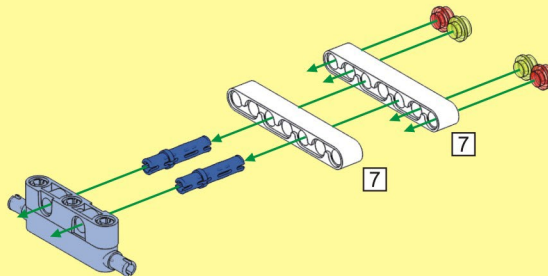
x1

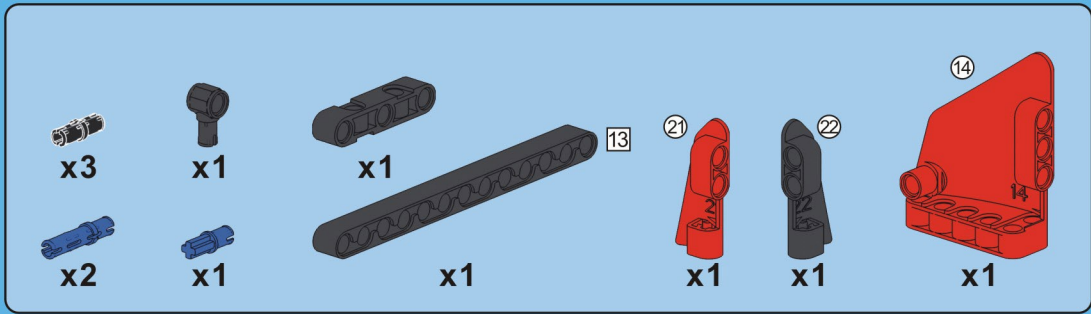


x1

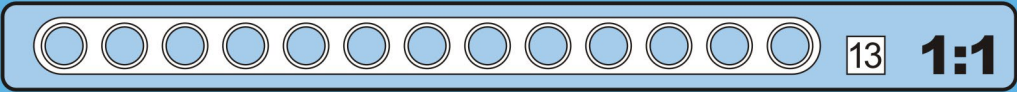
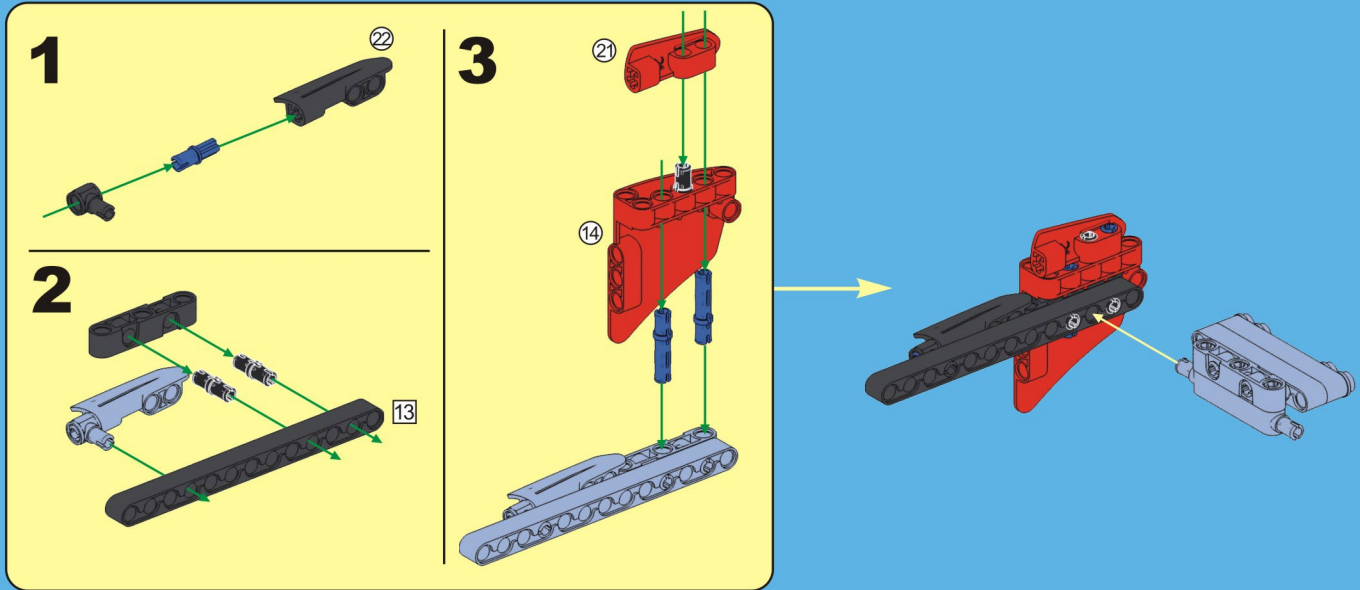


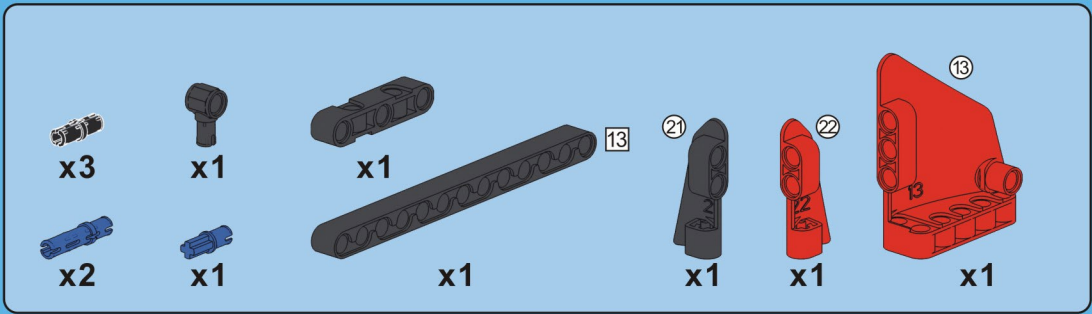
x2

**B1****1****2****1:1**

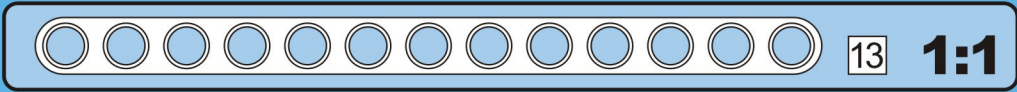
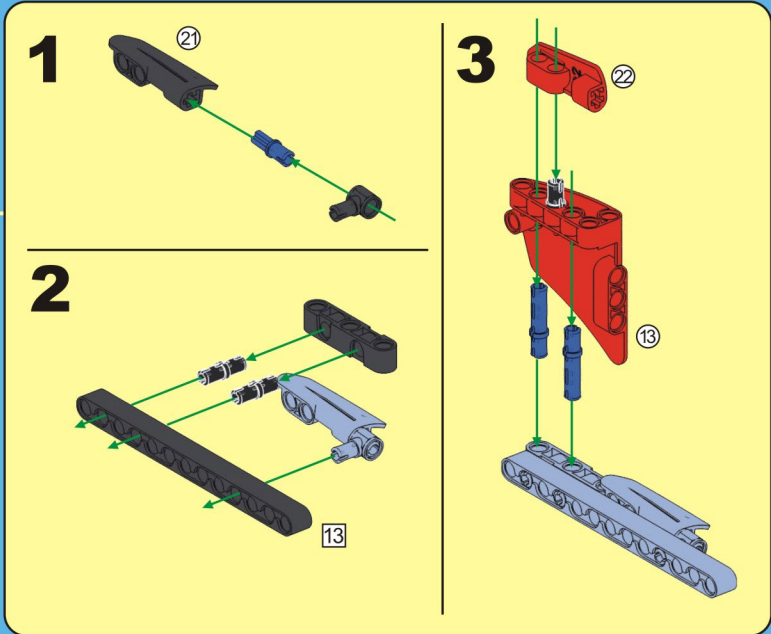
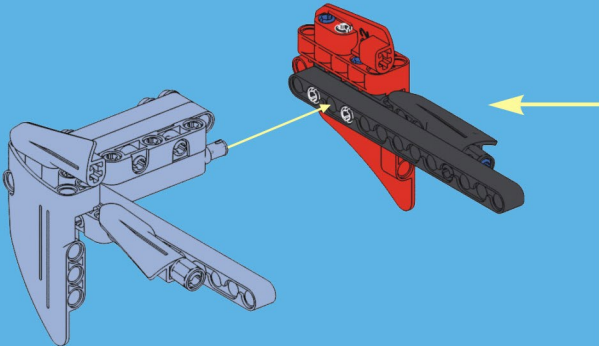


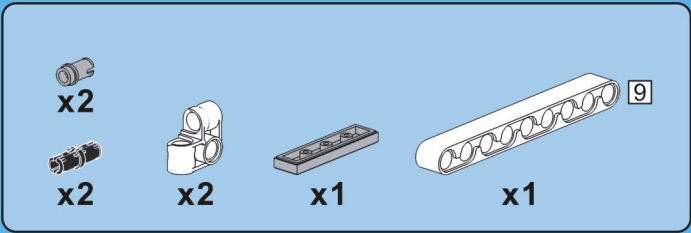
# B2



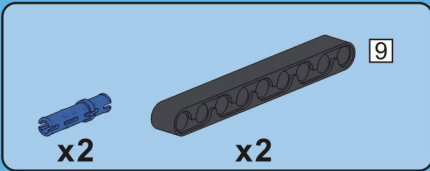
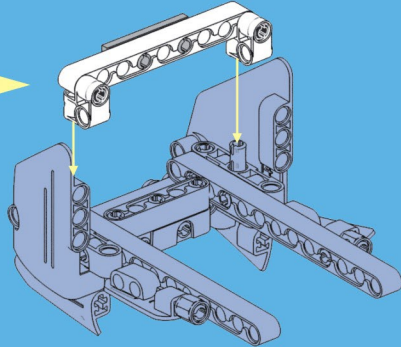
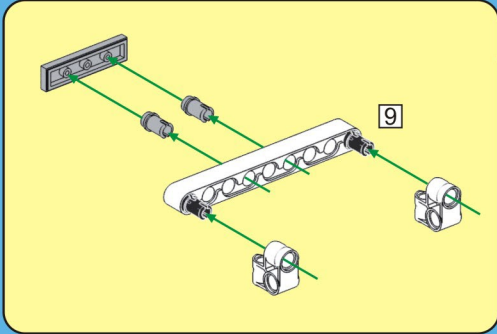


# B3

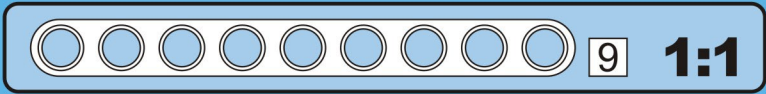
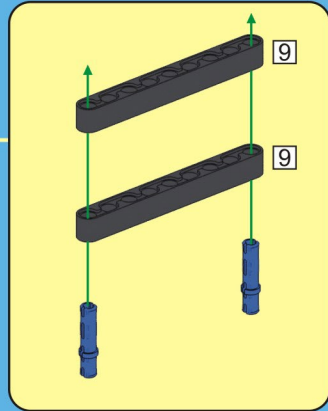
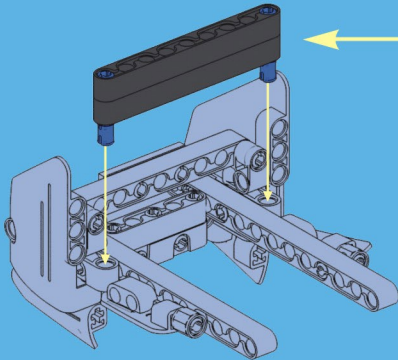


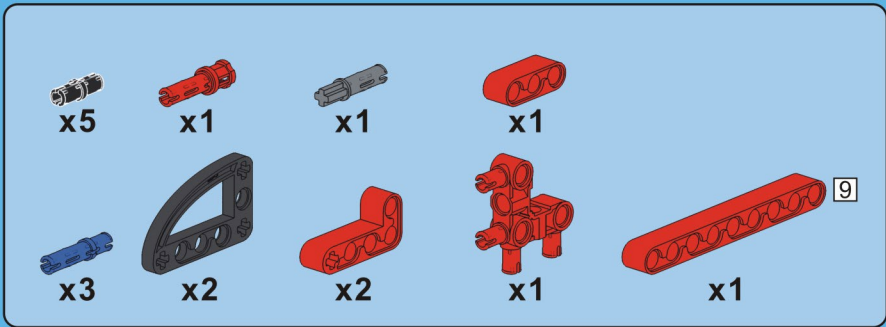


# B4

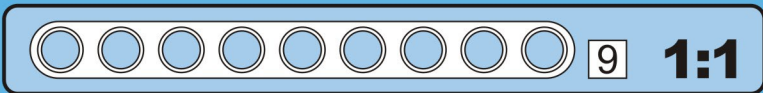
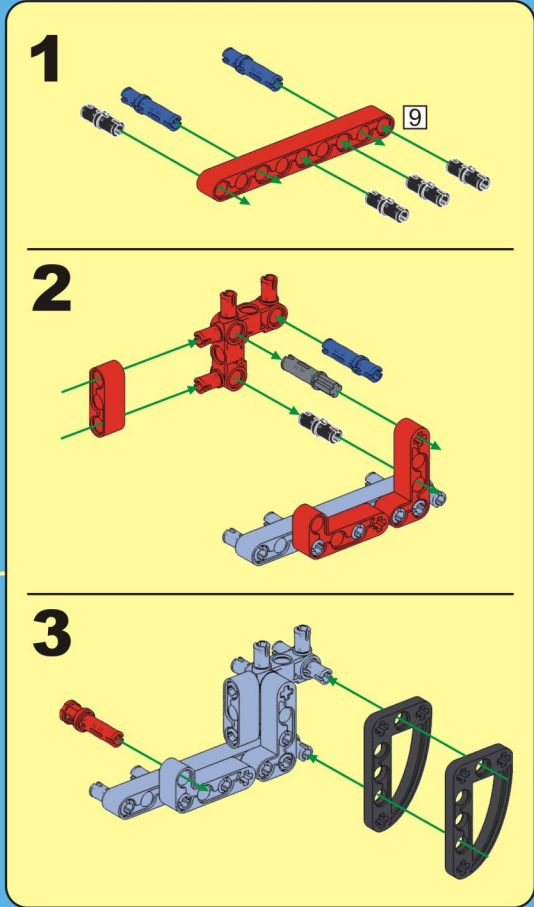
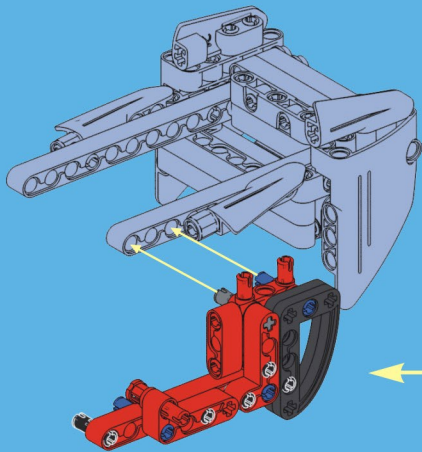


# B5

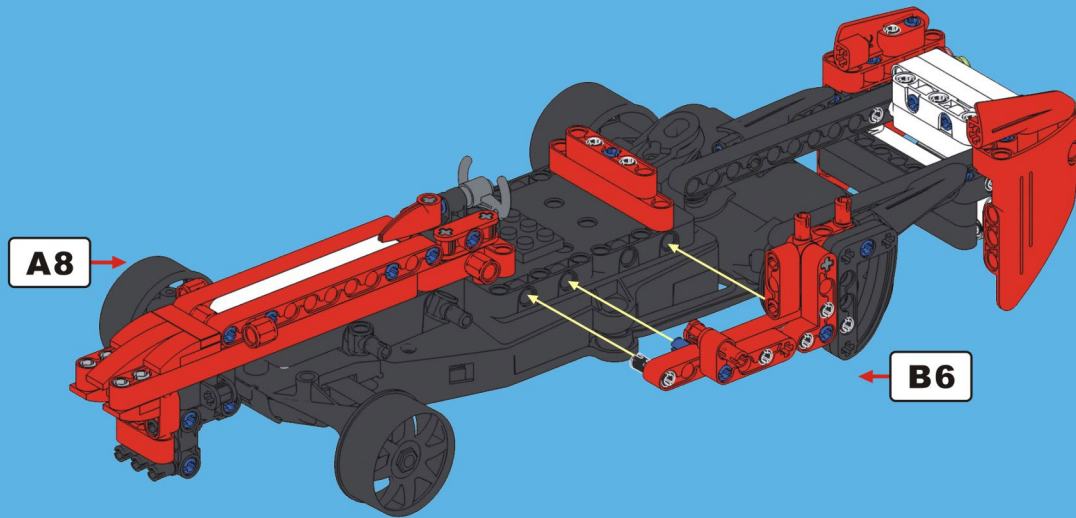


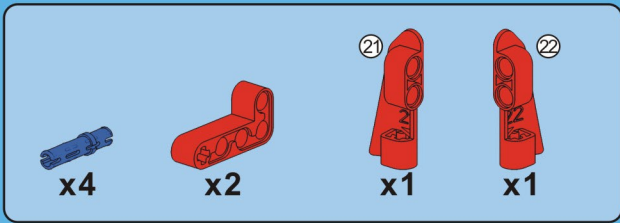


# B6

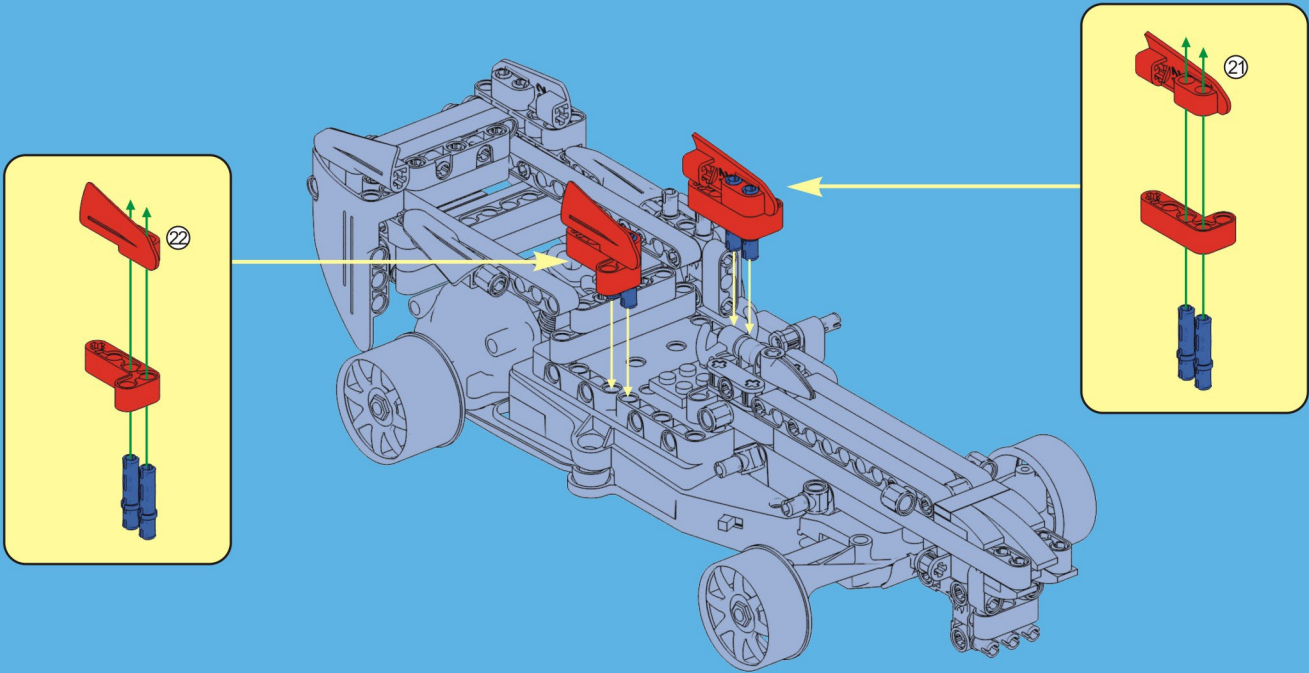


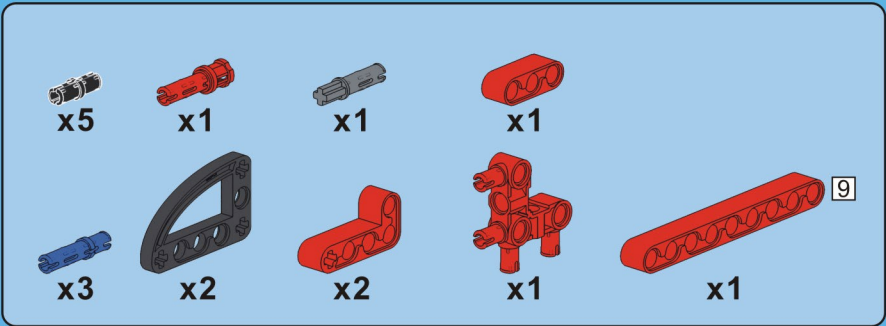
# B7



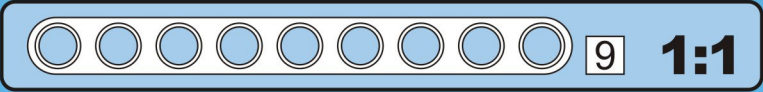
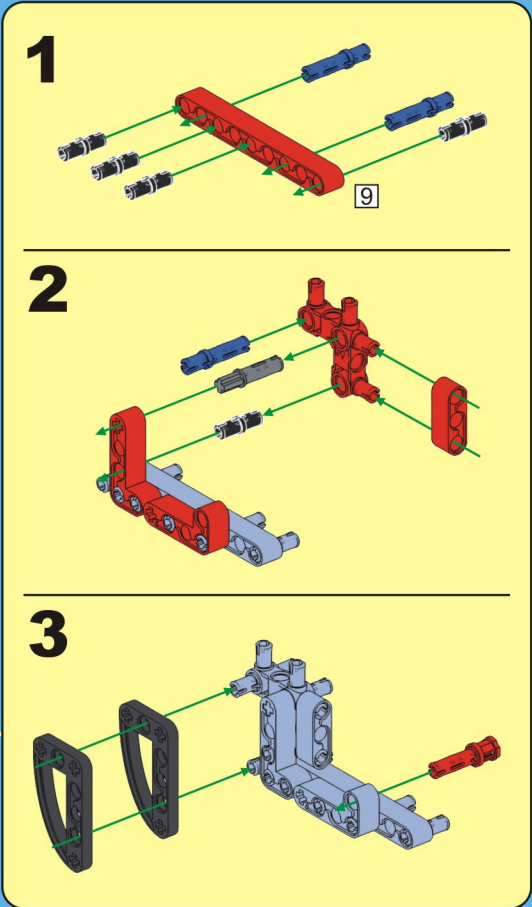
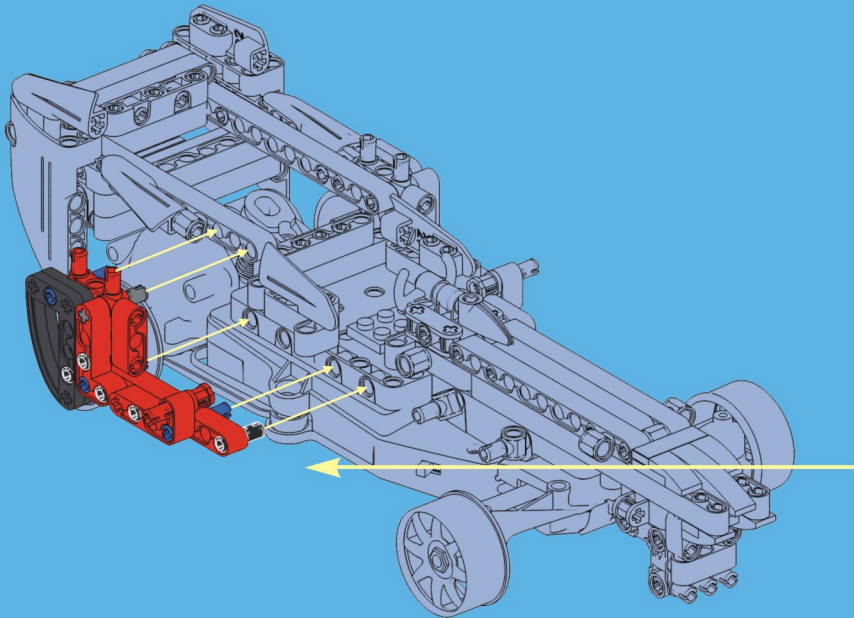


# B8

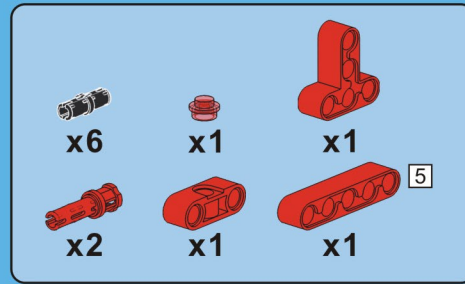
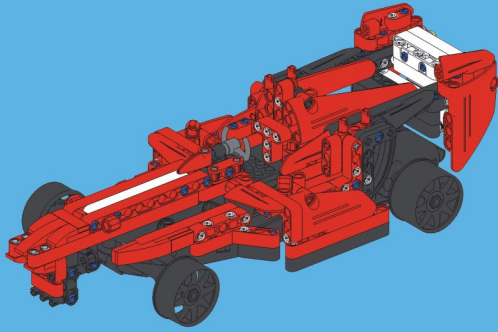




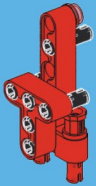
# B9



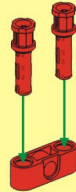
# C



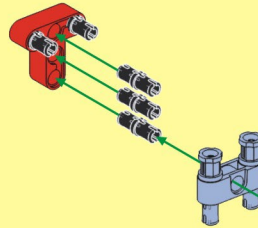
# C1



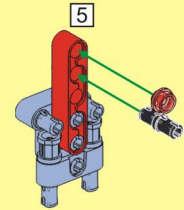
# 1



# 2

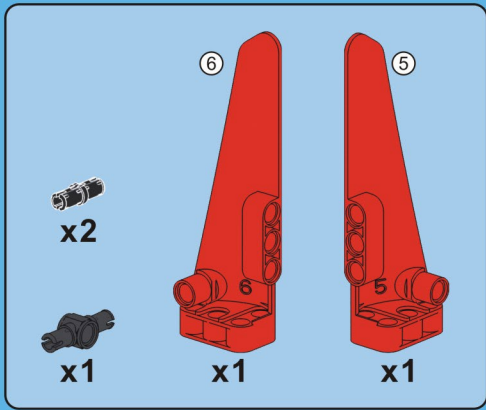


# 3

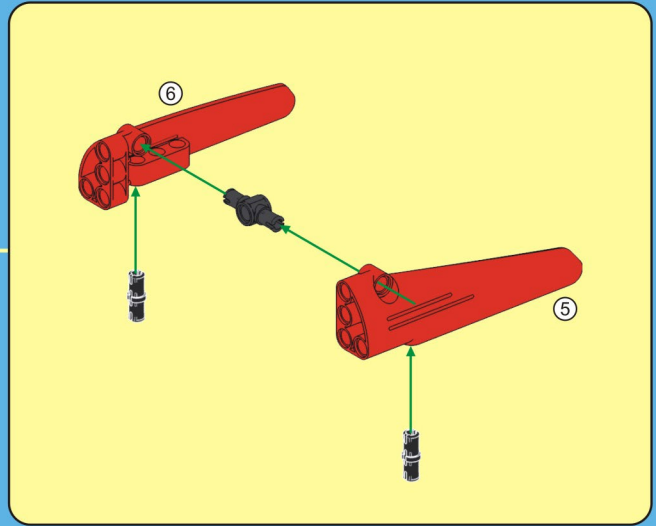
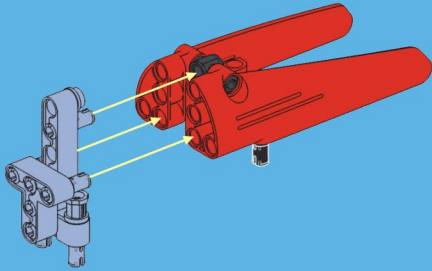


5

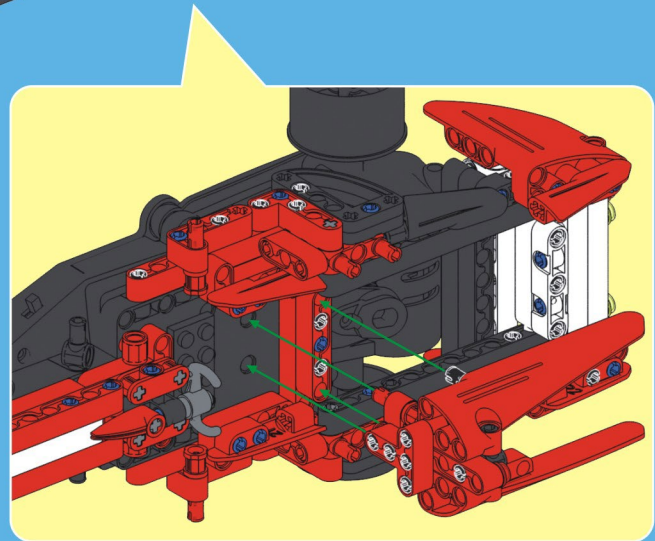
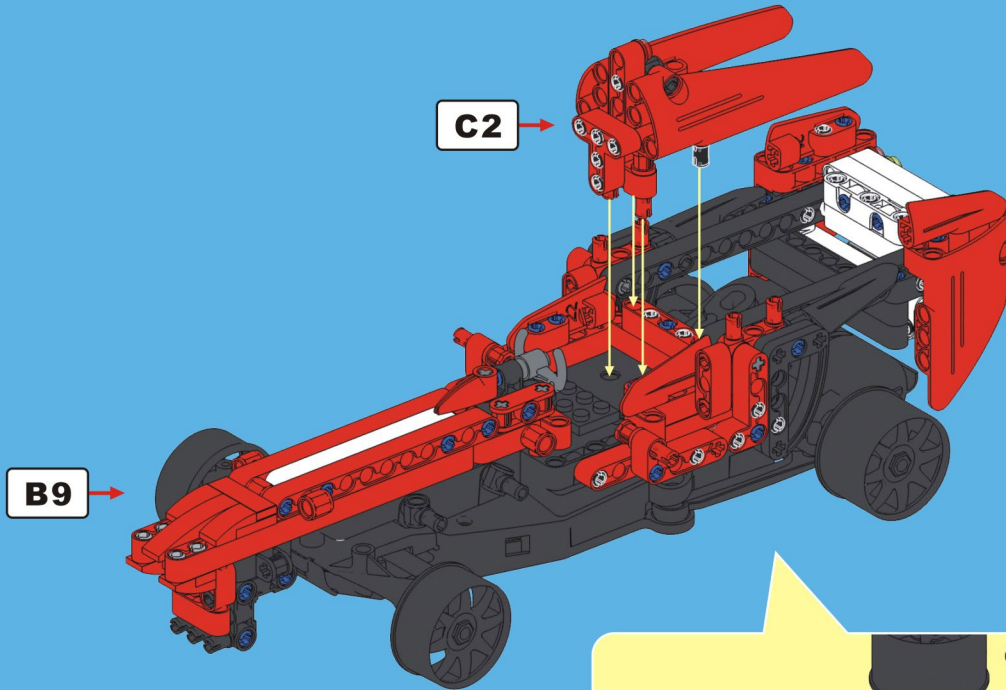
1:1

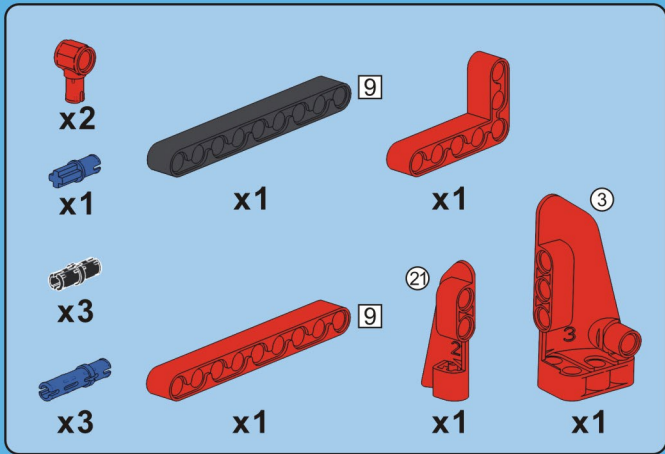


# C2

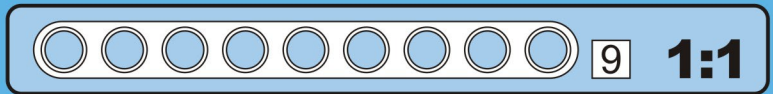
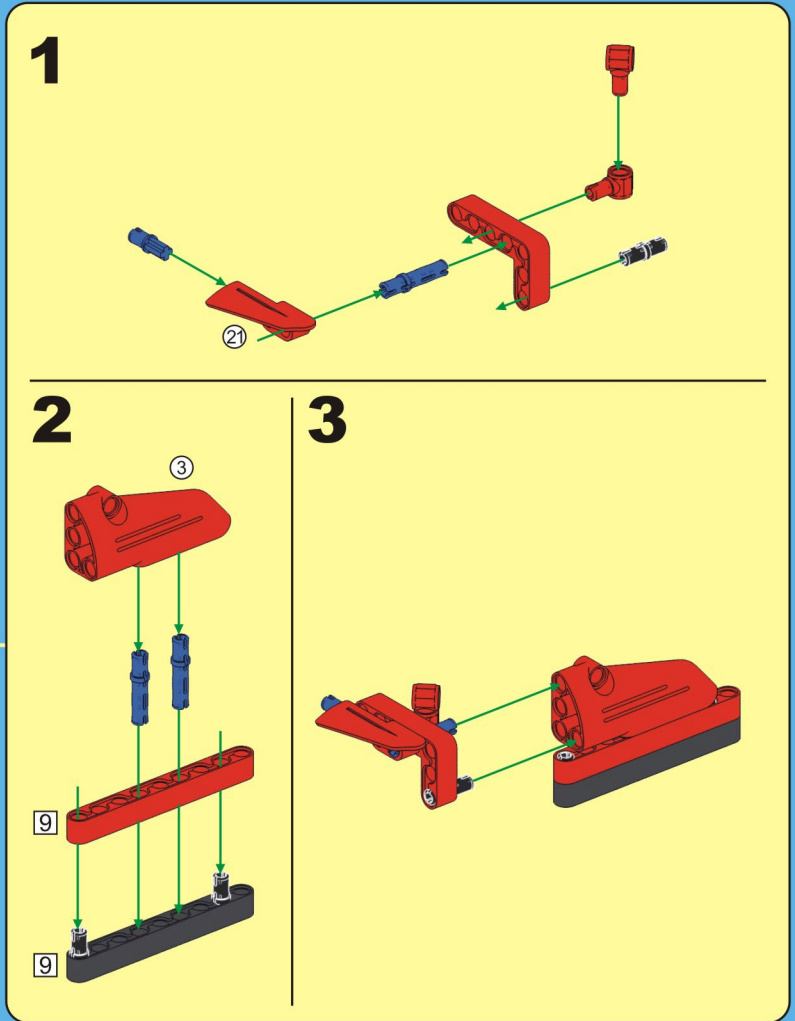
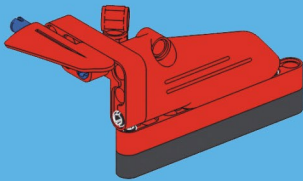


# C3

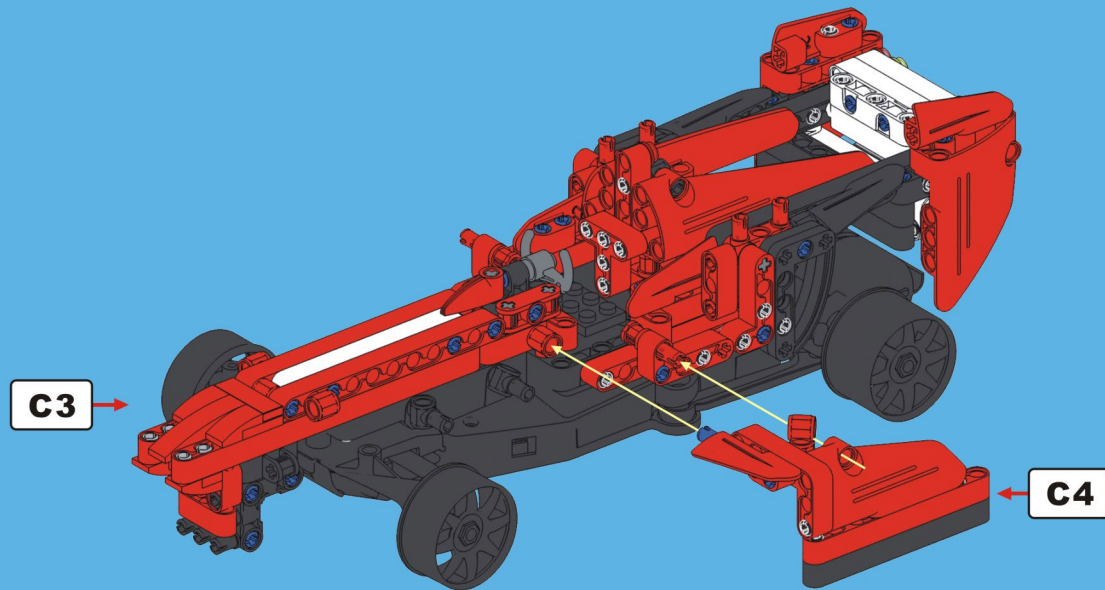


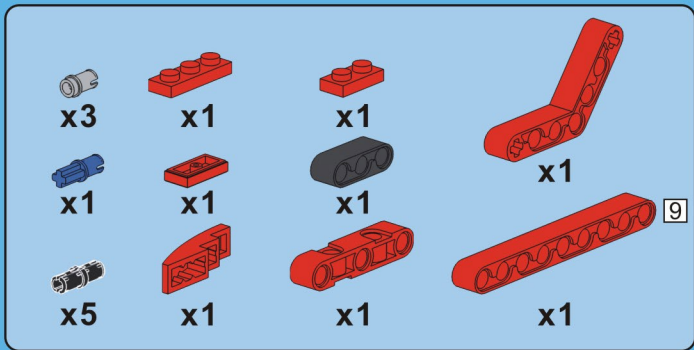


# C4

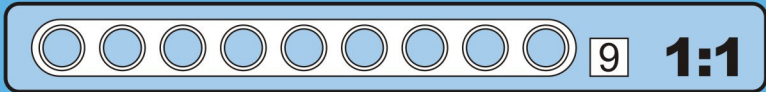
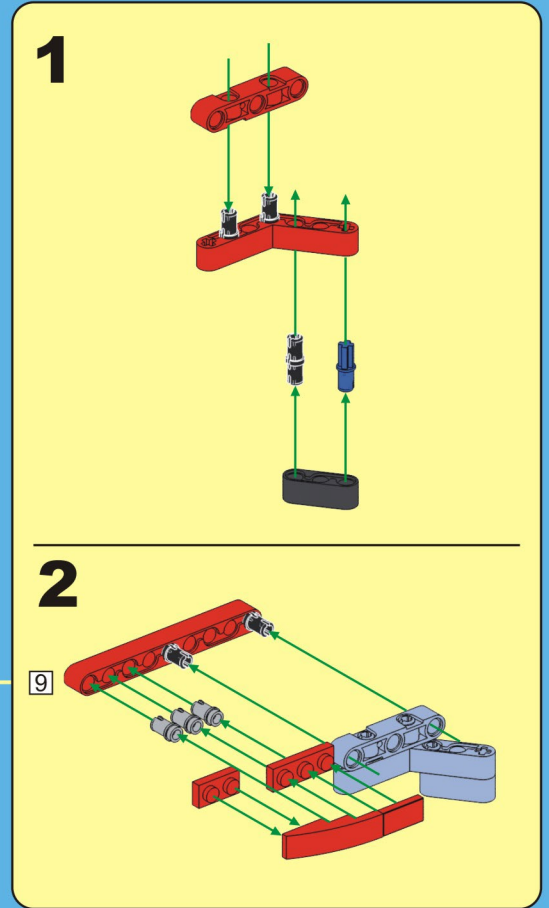
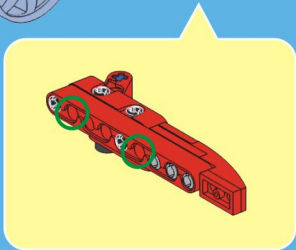
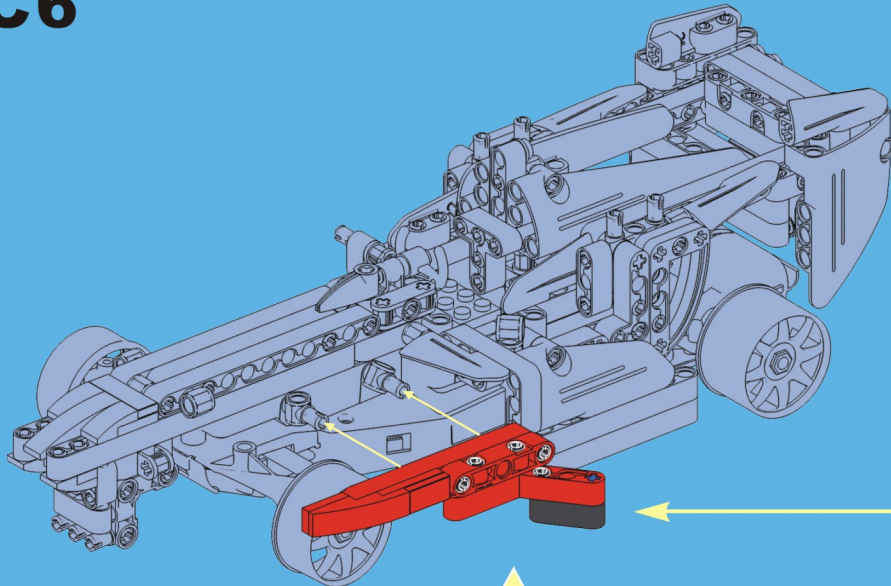


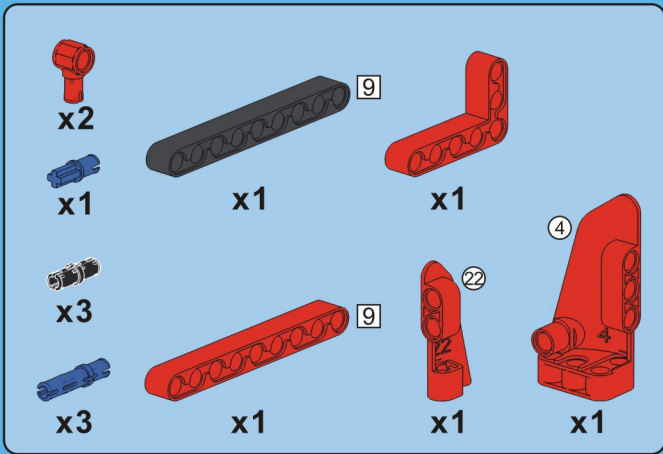
# C5



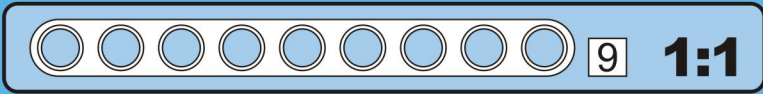
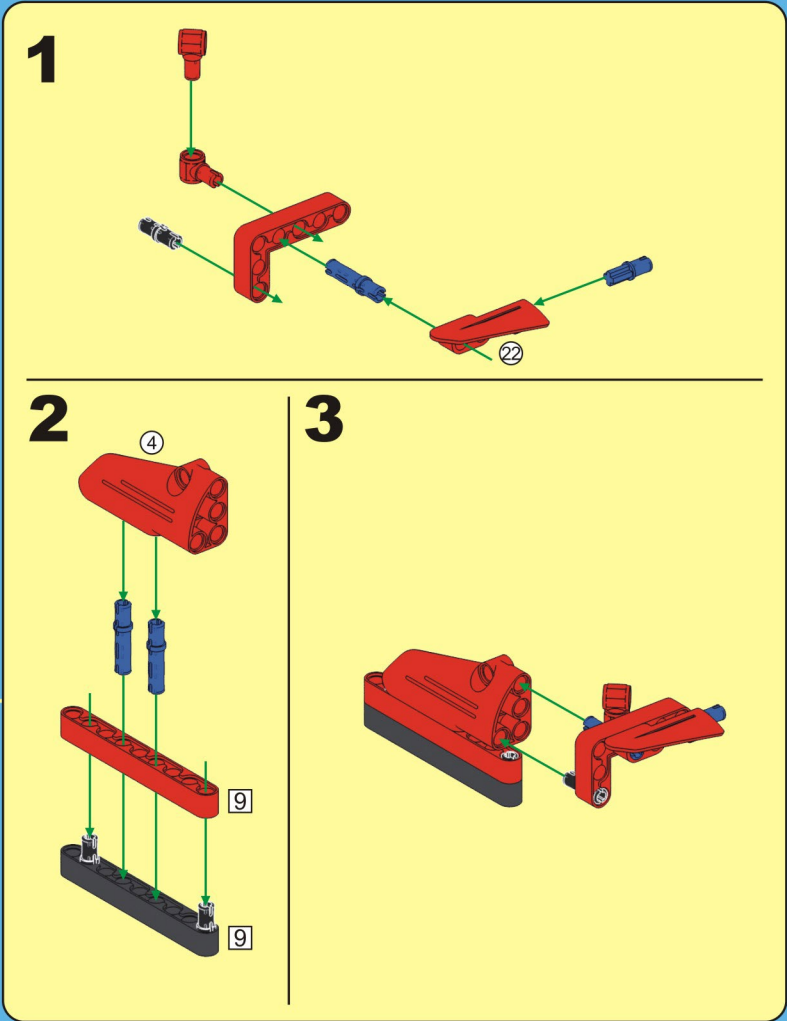
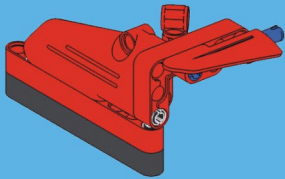


# C6

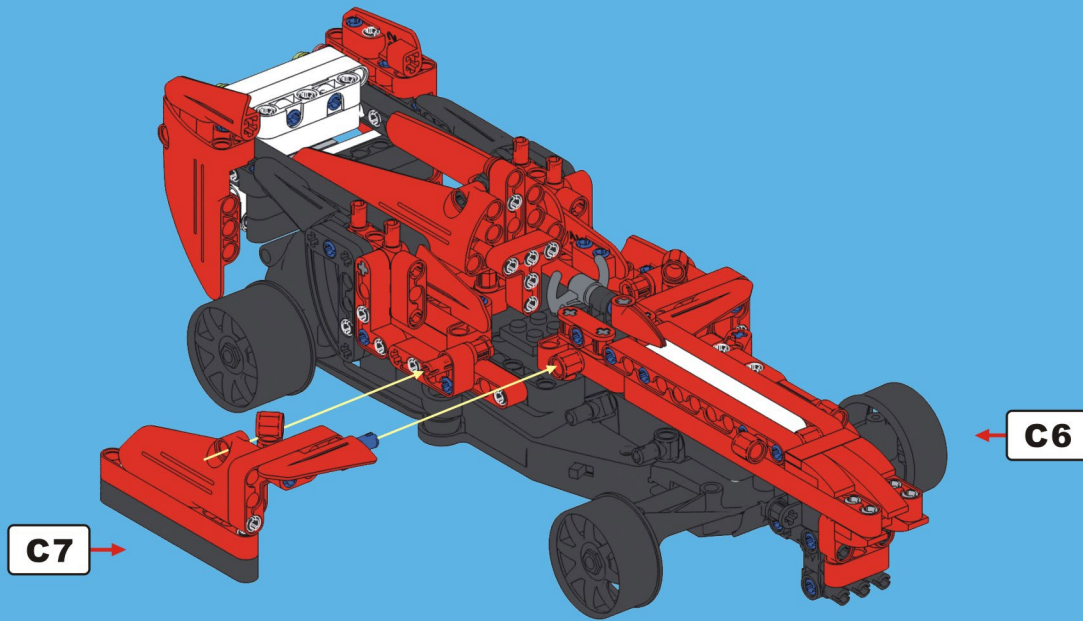


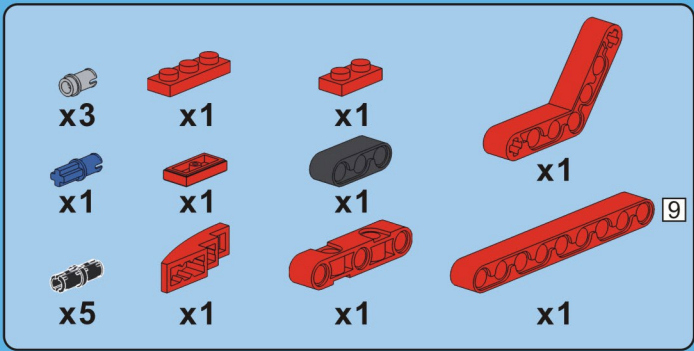


# C7

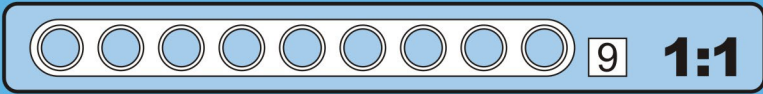
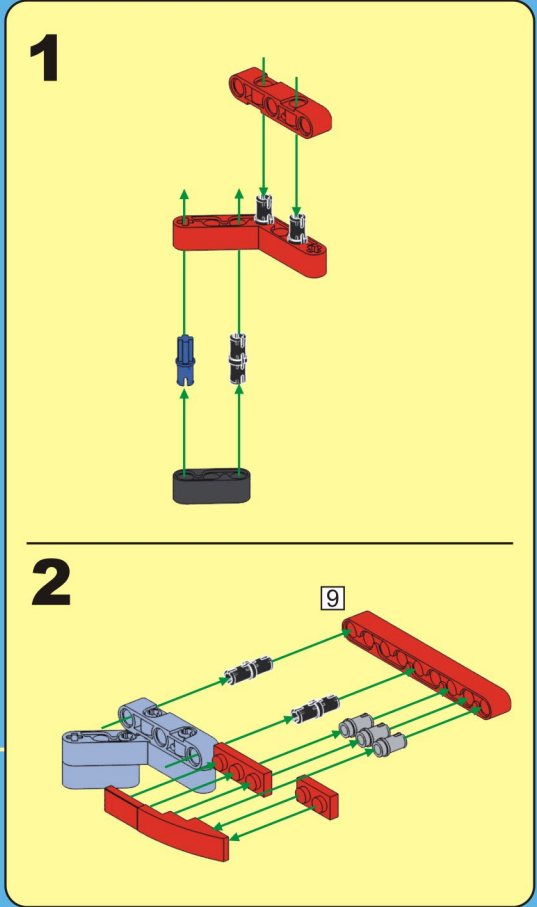
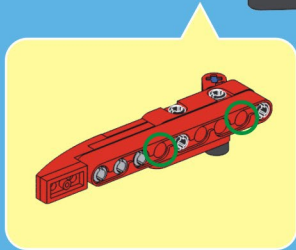
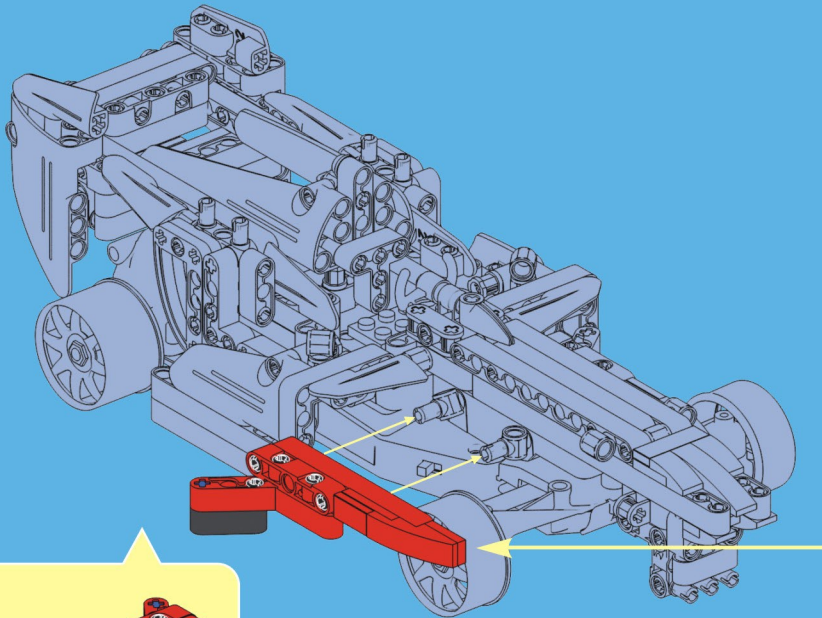


# C8

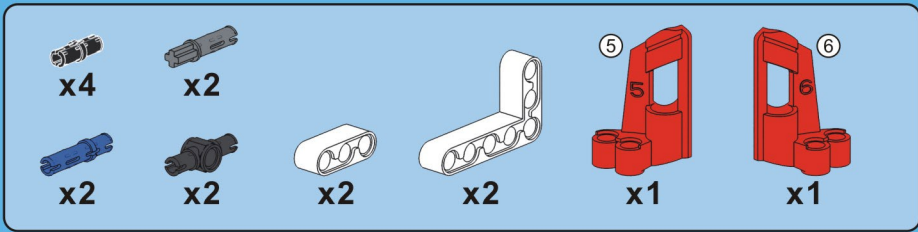




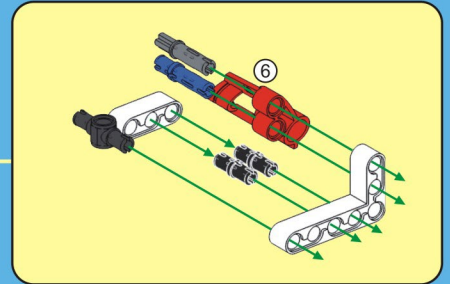
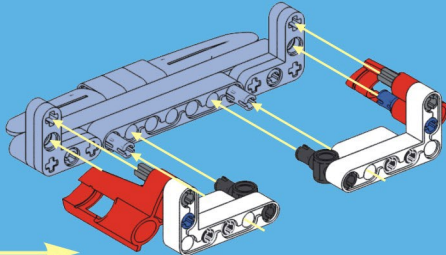
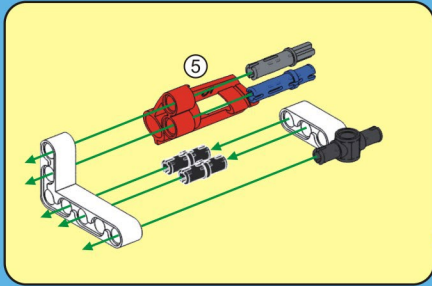
# C9



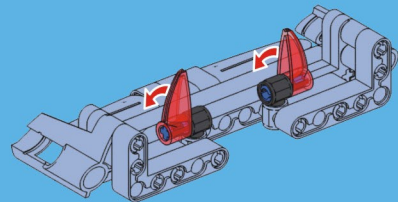
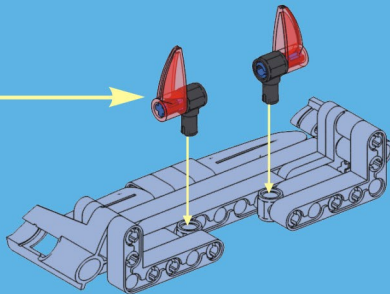
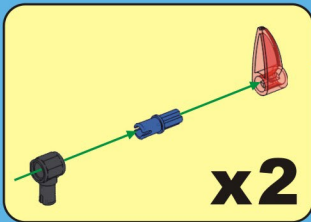




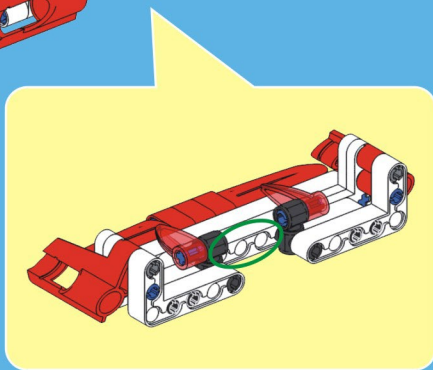
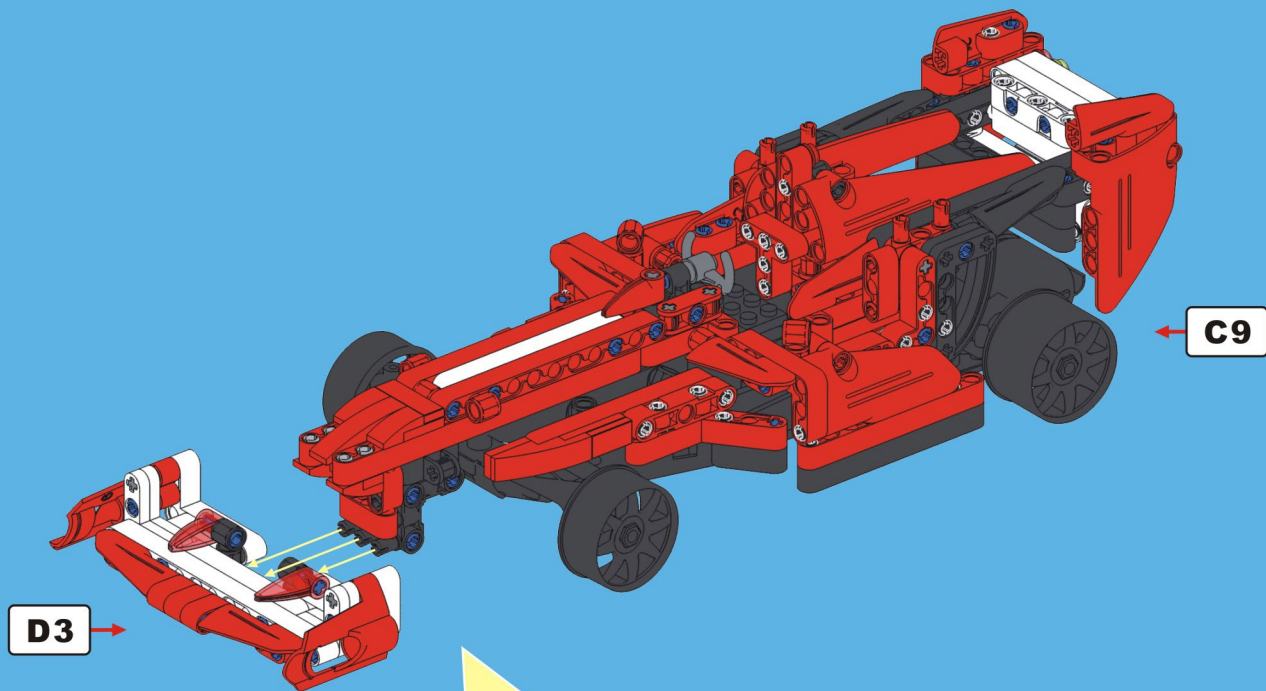
## D2

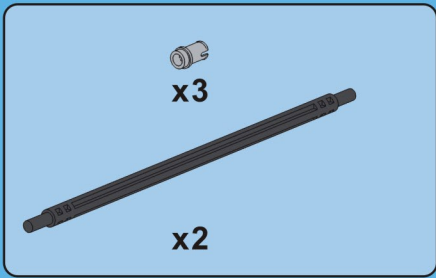


## D3

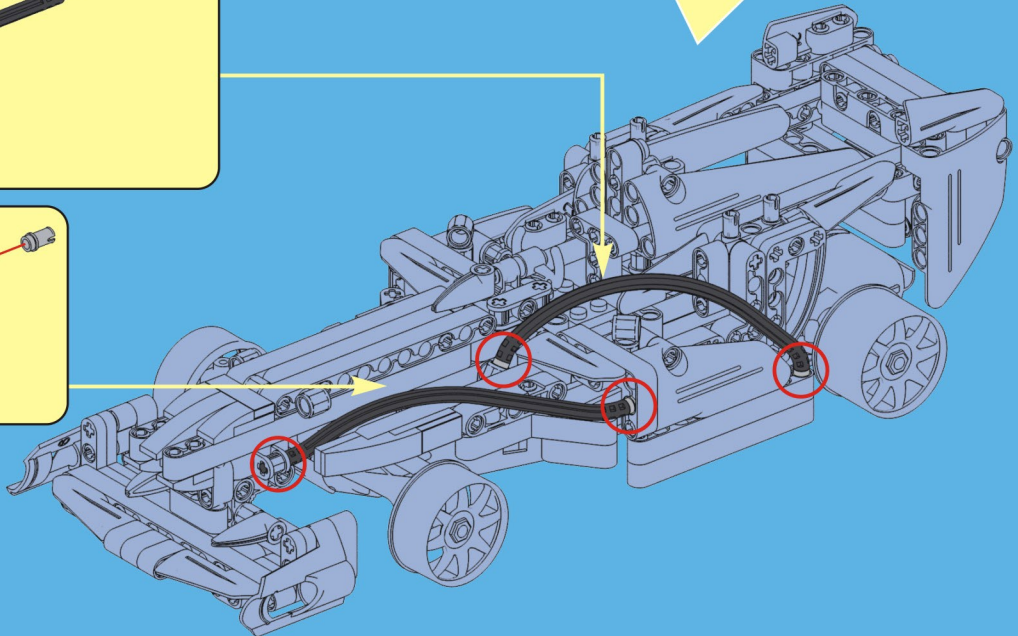
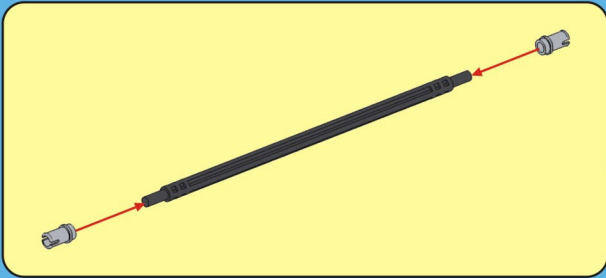
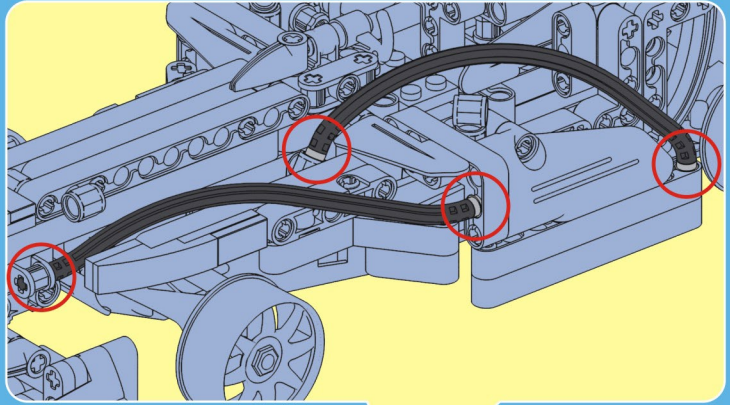


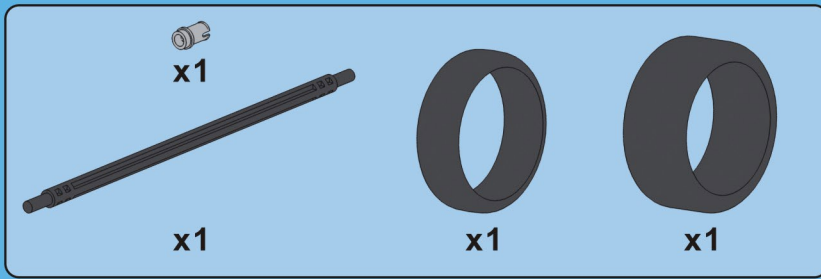
# D4



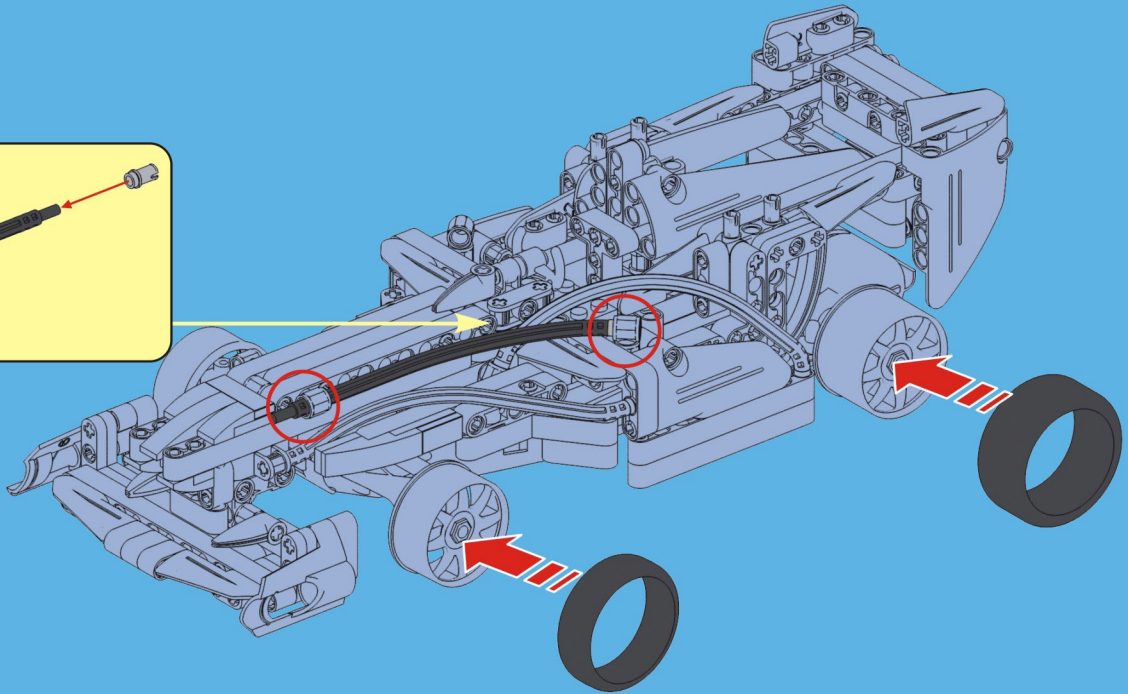


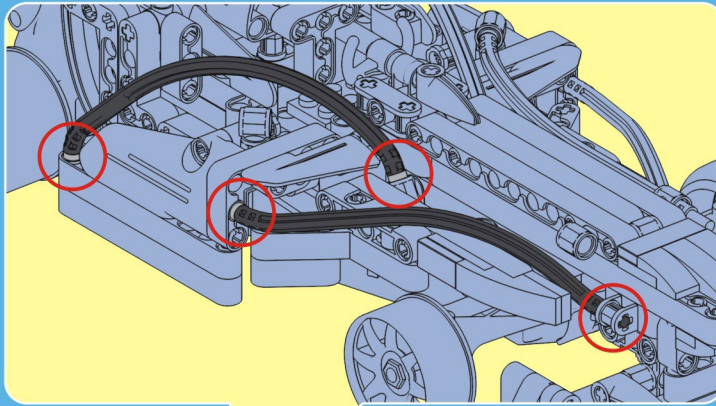
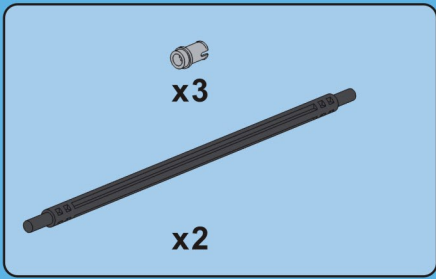
# D5



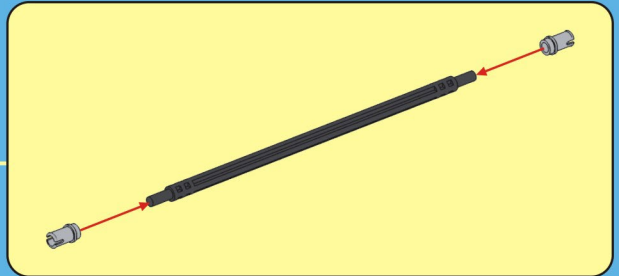
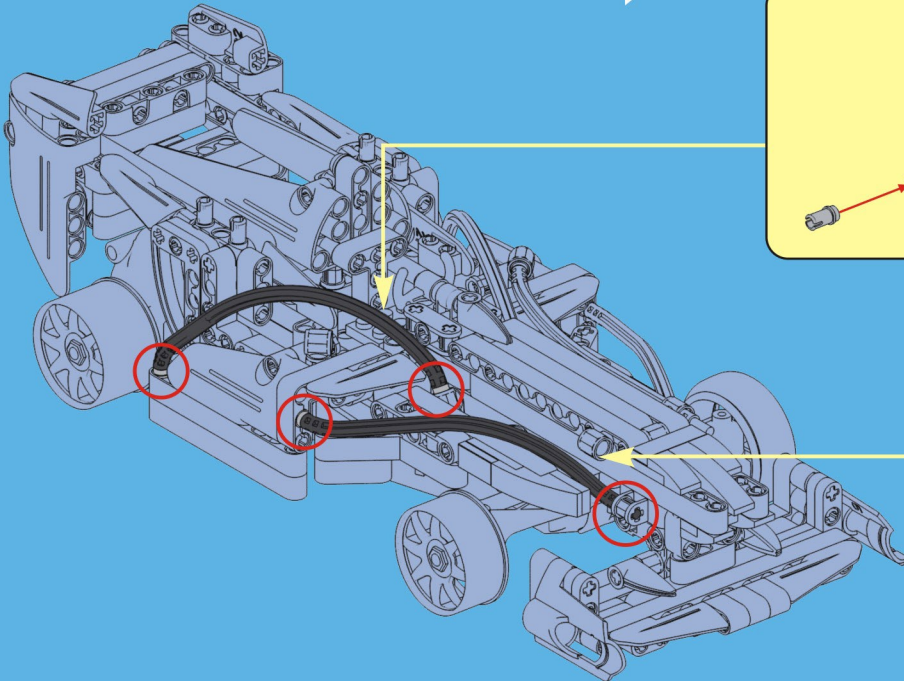


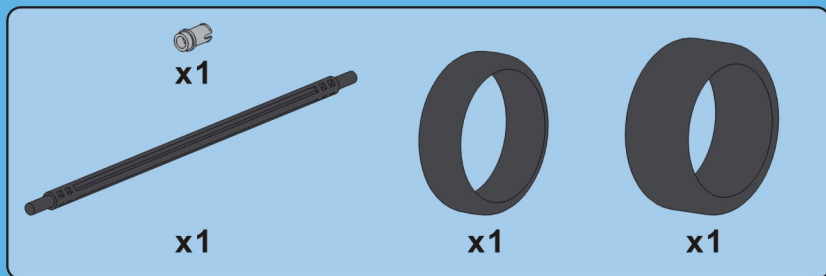
## D6



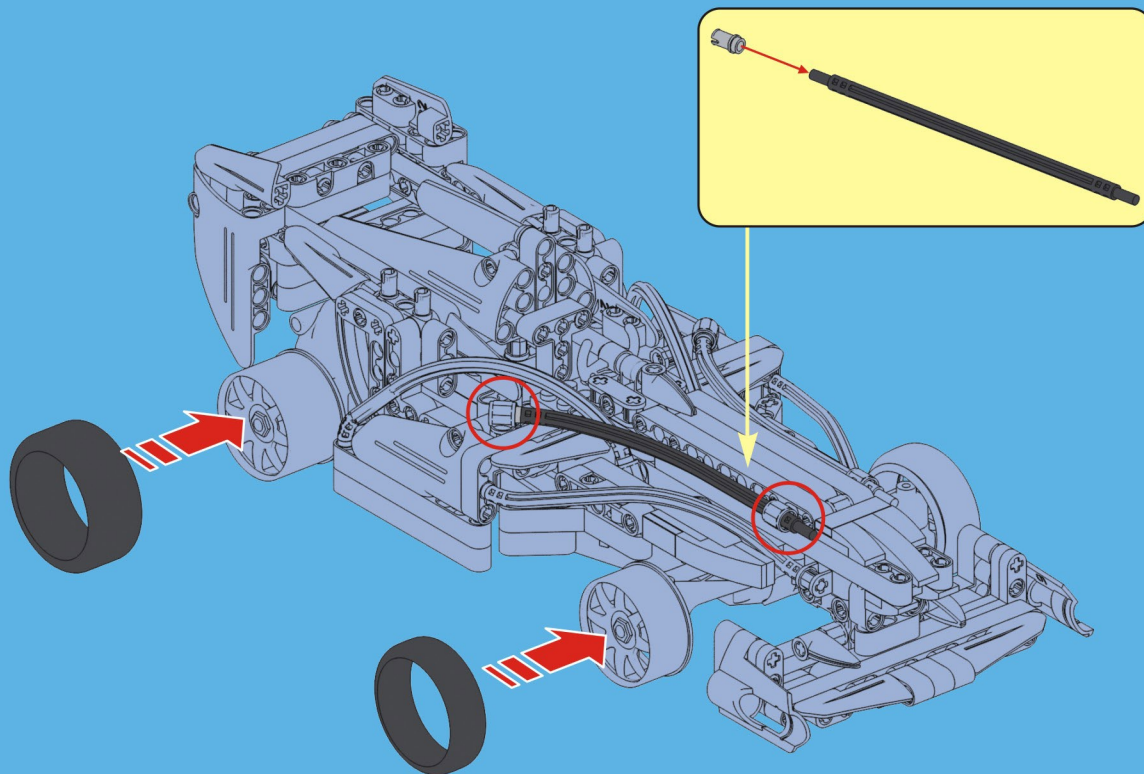


**D7**

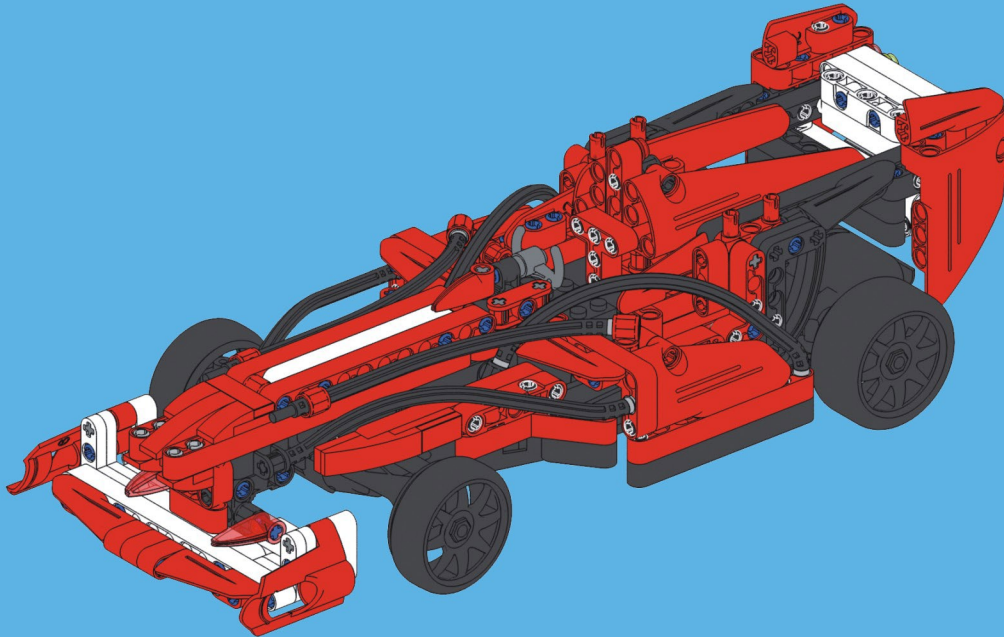


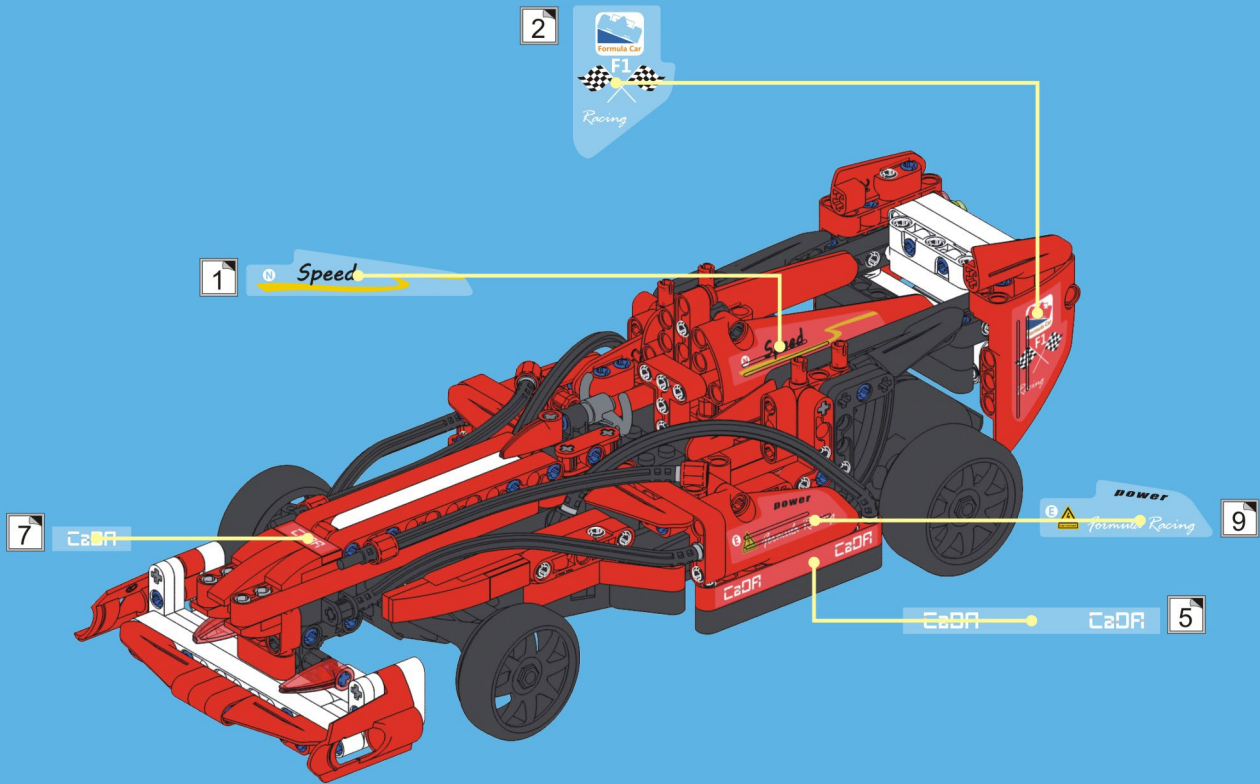


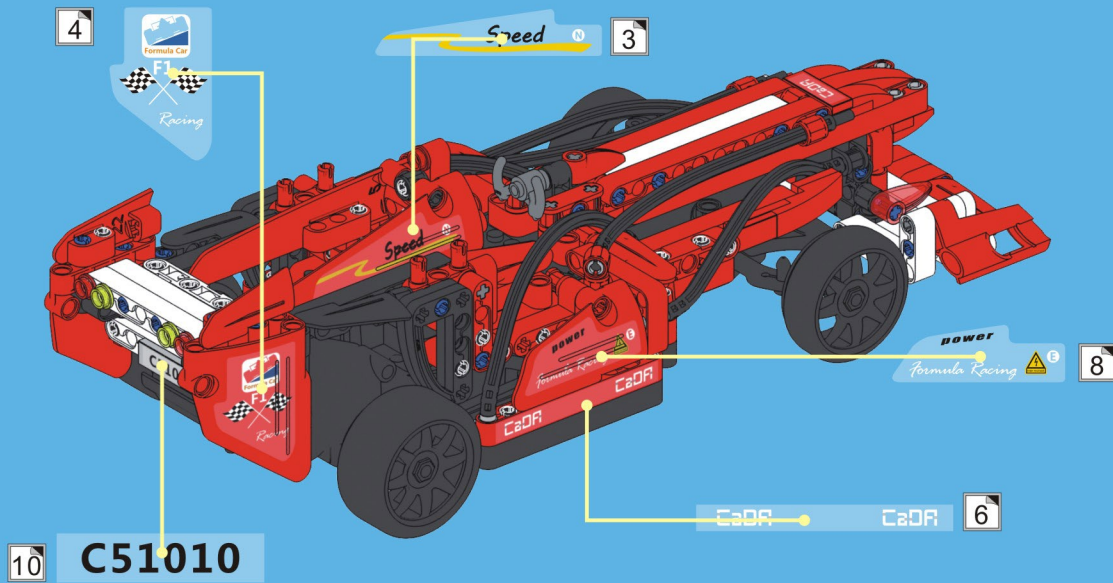
# D7



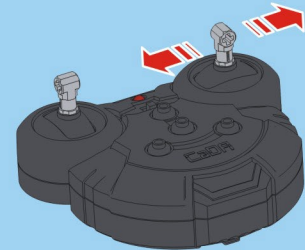
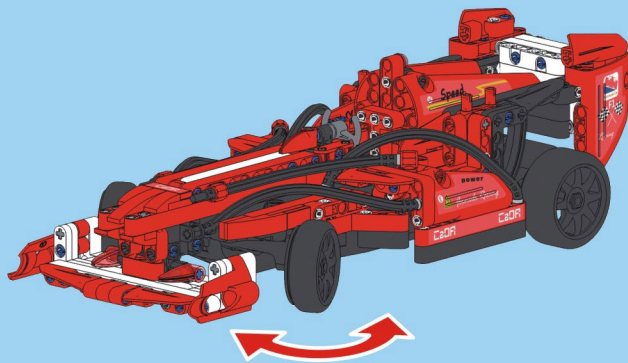
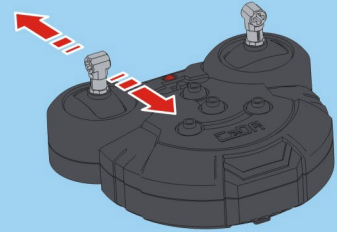
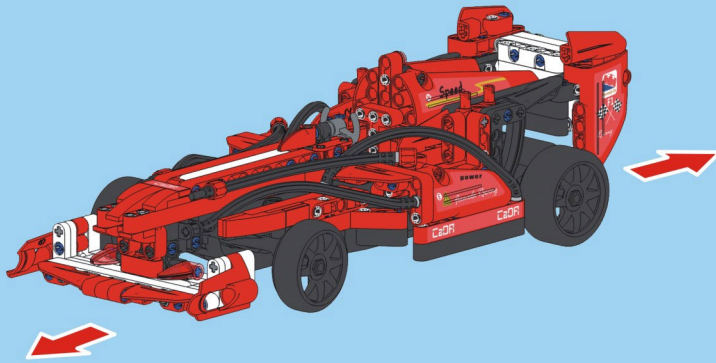
**D8**






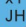
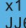
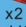



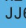





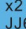



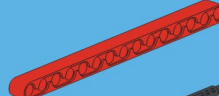


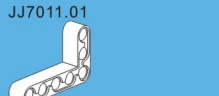



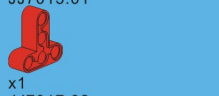




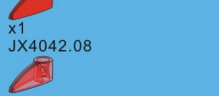
10 **C51010**



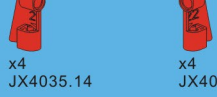




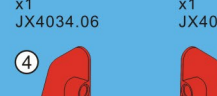





 x3  
 JB1001.05  
 x2  
 JB1001.01  
 x26  
 JH2015.01  
 x62  
 JH2025.01  
 x11  
 JH5001.01  
 x11  
 JH5044.01  
 x40  
 JH2016.01  
 x4  
 JH5020.01  
 x2 **2**  
 JH0011.01  
 **5**  
 JH0004.01  
 x8  
 JH6048.03  
 x2  
 JJ6034.02  
 x2  
 JJ6031.01  
 x2  
 JH6037.01  
 x1  
 JX1044.01  
 x10  
 JH5032.07  
 x2  
 JH4023.02  
 x5  
 JH5032.01

 x4  
 JJ5026.02  
 x2  
 JA3029.05  
 x2  
 JA1014.06  
 x1  
 JA3030.01  
 x1  
 JA3031.01  
 x3  
 JA1013.03  
 x1  
 JA1007.06  
 x1  
 JA1006.02  
 x2  
 JJ6032.01  
 x2  
 JJ6032.02  
 x1  
 JJ6032.04 **5**  
 x1  
 JJ6036.04  
 x4  
 JC0001.04  
 x3  
 JC0002.04  
 x2  
 JH6038.03  
 x2  
 JH4022.09

 x1  
 JH4022.01  
 x1  
 JJ6018.05  
 x2  
 JJ6003.01  
 x2  
 JJ6004.07  
 x3  
 JJ6004.02  
 x2  
 JJ6004.01  
 **5**  
 JJ6005.03 **7**  
 x3  
 JJ6006.07 **7**  
 x1  
 JJ6006.02 **9**  
 x2  
 JJ6007.07 **9**  
 x6  
 JJ6007.02 **9**  
 x4  
 JJ6007.01 **11**  
 x2  
 JJ6008.01 **13**  
 x1  
 JJ6009.06 **13**  
 x2  
 JJ6009.02

 **15**  
 x3  
 JJ6010.01  
 x6  
 JR3009.01  
 x8  
 JJ7011.01  
 x2  
 JJ7012.07  
 x2  
 JJ7012.01  
 x2  
 JJ7013.01  
 x1  
 JJ7017.02  
 x4  
 JJ5027.02  
 x2  
 JH6034.04  
 x2  
 JH6034.01  
 x1  
 JX4042.08  
 x2  
 JX4042.02

 **21**  
 JX4035.08  
 **21**  
 JX4035.14  
 **5**  
 JX4037.04  
 **6**  
 JX4034.06  
 **4**  
 JX4033.14  
 **14**  
 JX4031.04  
 x2  
 JT2002.01  
 x1  
 JX4034.05  
 **3**  
 JX4033.13  
 **13**  
 JX4031.03  
 x2  
 JT2003.01

# STEAM support



Science • Technology • Engineering • Art • Maths

The purpose of STEAM education-Science, Technology, Engineering, Art and Mathematics- is to provide students with the necessary skills, knowledge and experience in order to cope with the technological challenges of the future. Modern pedagogical theories suggest that the study of engineering should be incorporated in all other subjects, starting from elementary level. STEAM series, offers a practical solution for facing all these educational issues, aiding the teacher to engage students in STEAM disciplines in a fun, exciting and interesting way!

# TECHNIC series

## C51007



## C51008



## C51010

