

# 360 Robot Vacuum Cleaner

## User Manual

S10

## Dear customers

Thank you for choosing the artificially intelligent (AI) 360 Robot Vacuum Cleaner! Please read the user manual carefully before using your 360 Robot Vacuum Cleaner and keep this manual for future reference.

### Contents

<b>en</b> English .....	P01 – P08
<b>ru</b> Русский .....	P09 – P16
<b>de</b> Deutsch .....	P17 – P23
<b>fr</b> Français .....	P24 – P30
<b>sp</b> Español .....	P31 – P37
<b>it</b> Italiano .....	P38 – P44
<b>kr</b> 한국어 .....	P45 – P51
<b>ja</b> 日本語 .....	P52 – P58
<b>pl</b> Polski .....	P59 – P65
<b>cz</b> čeština .....	P66 – P72
<b>tr</b> Türkçe .....	P73 – P79

If you have questions or comments about your 360 Robot, please do not hesitate to contact us:

Customer service email: [zh-service@360.cn](mailto:zh-service@360.cn)

Or reach us via Facebook group: [@360smartlife](https://www.facebook.com/@360smartlife)

You can also check our tutorials on Youtube channel: [@360smartlife](https://www.youtube.com/@360smartlife)

## Safety Information

---

- **Before using the product, please read the entire safety instructions and save the manual for future reference. Any operations that do not follow the manual may cause serious injury or damage.**

### • WARNING

- This product can be used and cleaned by children or persons with reduced physical, sensory or mental capabilities only if they have been given supervision or instruction concerning use of the appliance in a safe way and understand the hazards involved.
- Small children and pets should be supervised when the robot is operating.
- This product can only be used with the authorized adapter, power supply cord, plug, battery, and charging dock. Use of any unauthorized accessories may cause the product to generate heat, smoke, catch fire, or explode.
- Stop using the product if the Robot or any accessory is damaged. Please contact 360 Customer Service to purchase or replace. Except for the repair technicians designated or authorized by 360, no one shall disassemble, repair, or modify this product.
- Do not place objects (including children and pets) on the robot at any time.
- Only use and store this product indoors in dry location with a temperature from 0°C/32°F to 40°C/104°F.
- Always disconnect your Robot from the charging dock before cleaning or maintaining it.
- Do not handle your Robot or charging dock with wet hands or wipe the product with a wet cloth .
- Do not wash the Robot or charging dock under running water.
- To ensure safe operation, do not use the product in a suspended area (such as a second floor loft, open balcony, and tops of furniture) without a physical barrier.
- Ensure the charging dock is placed at least 1.5 meters/4.9 feet away from stairs, other open areas, and heat sources (such as heaters).
- Do not short-circuit the battery by allowing metal objects to contact battery terminals or immerse in liquid. Do not subject batteries to mechanical shock.
- Periodically inspect the battery pack for any sign of damage or leakage. Do not charge damaged or leaking battery packs, do not allow the liquid to come in contact with skin or eyes. If a contact has been made, wash the affected area with copious amounts of water and seek medical advice.

### • CAUTION

- This product is used for floor cleaning in a home environment. Do not use it for outdoor (such as an open balcony), non-ground (such as a sofa), commercial, or industrial environments.
- Before using the product, pull cords for blinds or curtains, power cords to prevent them from obstructing the product.
- Remove fragile objects (such as vases) on the floor to prevent the robot from damaging valuables.
- Place the small cleaning tool in an area out of the reach of children.
- Do not let hair, fingers, or any other body parts near the dust suction port when the robot is operating.

- Do not use this product to clean sharp objects (such as decoration debris, glass, and iron nails).
- Do not use this product to clean burning or smoking objects (such as undistinguished cigarette butts).

#### • NOTICE

- Do not use the product in a room where infants or young children are sleeping.
- High pile carpets and some deep dark carpets may not be cleaned properly.
- Do not use the bumper or top cover as handles to carry the robot.
- Do not use the mopping function on carpets or the tops of furnitures.
- Using Robot in an environment with direct sunlight or strong reflective objects may affect the cleaning effect.
- After unpacking, you may discover water stains or residual water drops on the product's water tank or water outlets, which is due to the specialized water tank test employed in the factory before delivery and is a normal occurrence. This will not affect product usage.
- If you need to transport this product, please ensure that the Robot is turned off. It is recommended to use the original packaging for transportation.
- If you will not use this product for a long period of time, turn off the robot after it is fully charged and put the product in a cool and dry place. Charge the Robot at least once every three months to avoid over-discharge from the battery.
- If you live in an area prone to electrical storms, it is recommended that you use additional surge protection. Your charging station may be protected with a surge protector in the event of severe electrical storms.
- Please use this product in accordance with the manual. Liabilities for any loss or injury caused by improper use shall be solely borne by the user.

#### • RECYCLING AND DISPOSAL

- Disconnect the product from the charging dock, turn it off, and remove the battery before recycling or disposal.
- Place the battery in a sealed plastic bag and recycle or dispose of it safely according to local environmental regulations.
- It is strictly prohibited to burn the product even if the product is severely damaged.

### Laser safety information

- All laser sensors meet the class 1 laser product standard of IEC60825 and does not produce dangerous laser radiation.
- Execution standard: IEC60335

### California residents

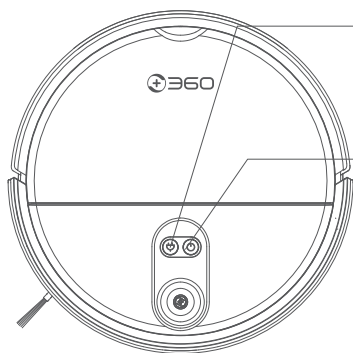


**WARNING:** Cancer and Reproductive Harm – [www.P65Warnings.ca.gov](http://www.P65Warnings.ca.gov)

Due to California's Proposition 65 Law, a warning must be posted on all products that may be sold into California. The warning does not mean that our products actually will cause any harm.

## Product Overview

### Robot



#### Charge button

- Short press to recharge/pause recharge.
- Press and hold to start spot cleaning.



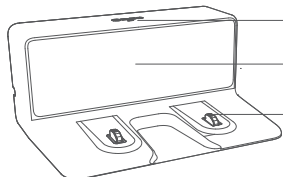
#### CLEAN/power button

- Short press to start/pause /resume cleaning.
- Press and hold for 3 seconds to turn on/off.
- Press and hold for 15 seconds to force shutdown.

#### Note:

After the Robot is turned on, press both buttons and hold for 3 seconds to reset Wi-Fi.

### Charging dock



• Power indicator

• Signal emission area

• Charging contact points

### Robot

Dimensions	350 x 350 x 85 mm 13.78 x 13.78 x 3.35 inches
Product weight	3.85 kg 8.48 lbs
Battery capacity	5000 mAh, 72 Wh
Rated voltage	14.52V
Rated power	30W

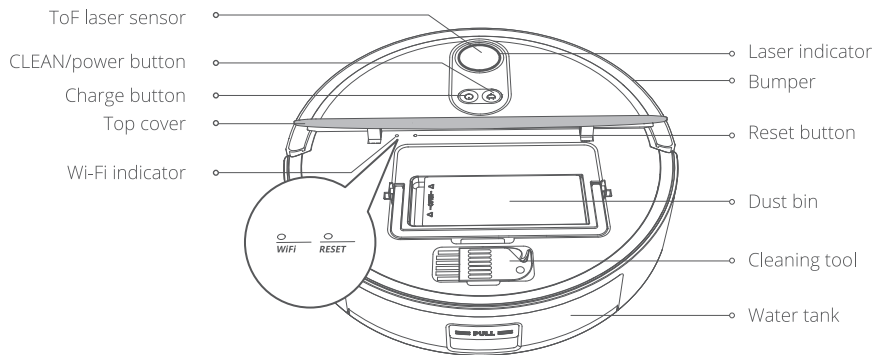
### Charging Dock

Dimensions	220 x 153 x 100 mm 8.66 x 6.02 x 3.94 inches
Rated power	24W
Rated output	24W

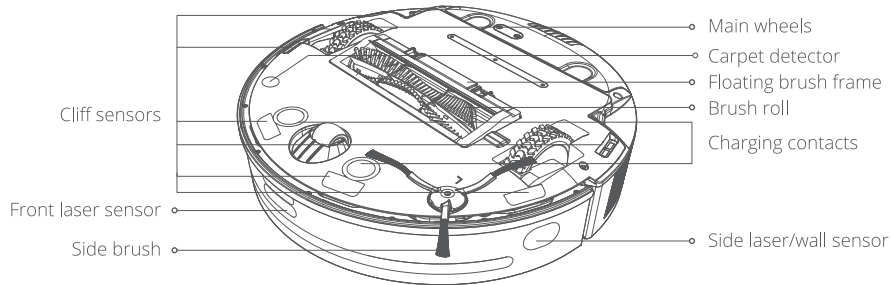
### Box Content

Main unit, charging dock, power adapter and plugs, water tank, mop bracket, mop pad, user manual, small cleaning tool.

## Top View



## Bottom View

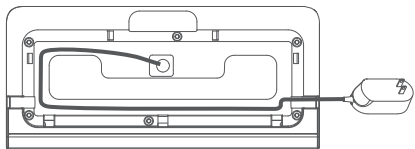


## Installation Instructions

### 1. Connect the power adaptor with the charging dock.

#### Note:

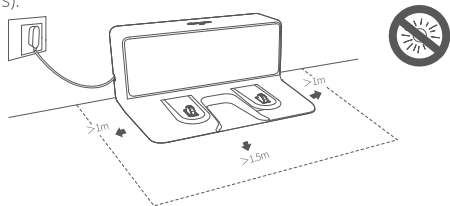
- Put the extra cable into the slot on the back of the charging dock to prevent the cables from being stretched by the robot while cleaning.
- The charging dock indicator is solid when it has power and is off when the robot is being charged.



### 2. Place the charging dock on the horizontal hard floor and connect the power supply.

#### Note:

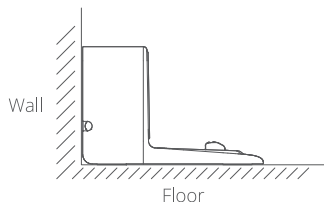
- Leave 1 meter (3.3 feet) on both sides and 1.5 meters (4.9 feet) in the front of the charging dock, and make sure there is no objects or strong light within this area.
- Ensure the charging dock is placed at least 1.5 meters (4.9 feet) away from stairs, other open areas, and heat sources (such as heaters).



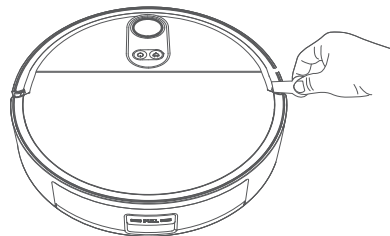
### 3. To ensure the Robot can clean and recharge, do not put the charging dock on carpets or move it frequently. If the charging dock is moved, the Robot may fail to locate itself or remove the current map. It will create and save a new map during the next cleaning.

#### Note:



- The map information (no-go zones, room names, etc.) may be lost after rebuilding.



### 4. Put the Robot on the floor and remove both protective strips behind the bumper. dock is moved.



## 5. Power on and charging.

**Method 1:** Press and hold the  button until it lights up and place the Robot within one meter of the charging dock. Press the  button, the Robot will automatically search for the charging dock and go to charging.

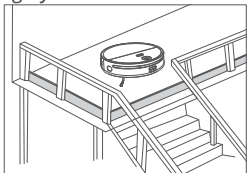
**Method 2:** Place the Robot on the charging dock and align their charging contacts. The power indicator on the charging dock turns off and the robot will automatically power on and start charging.

### Note:

- Clean the charging contacts on the charging dock and the robot periodically.
- The robot cannot be turned on when the battery is insufficient, and it will automatically turn on when it is placed on the charging dock.
- The Robot will only start cleaning tasks when the battery level is  $\geq 30\%$ .
- Maintain power to the charging dock.
- If the robot does not start cleaning from the charging dock, it may need more time to dock. If the charging dock cannot be reached, the Robot will return to the start location after cleaning.

**6. If the room to be cleaned contains a suspended area (balcony, stairs, etc.), a physical barrier should be used to prevent access to this area and ensure safe operation.**

**Meanwhile, create no-go zones or no-go lines for these area on the App is highly recommended.**



## 7. Download the mobile phone App

**Method 1:** Search for "360Robot" in Google Play or App Store and download it.

Q 360Robot



360Robot

**Method 2:** Scan the QR code below by using mobile phone camera or any QR code scanner App to download the 360Robot App.



## 8. Add your Robot on the App

- Please refer to the network configuration instruction in the box to let the App find your Robot.
- Then follow the instructions on the App step by step to bind the Robot to your account.

### Note:

- Please check out further operation instructions in "My - My Service" on the App and do not hesitate to contact us if you have any questions or comments.

## After-sales Service

### Warranty Content

Name	Warranty Content	Warranty Period
Main unit	Robot (includes build-in battery)	1 year
Accessories	Charging dock, power adapter	1 year
Consumables	Brush roll, side brush, brush frame, filter, cleaning tool, dust bin, water tank, mop bracket, mop pad	/

### Exclusions and Limitations

- 1.The product is repaired without permission, wrongly used, crashed, neglected, misused, gotten wet, or damaged in an accident, modified, unauthorized accessories are used.
- 2.Warranty period expires.
- 3.Damage is caused by force majeure.
- 4.Defects of product and accessories caused by the owner or user.

### Contact Us

Official site: [smart.360.com](http://smart.360.com) Customer service: [zh-service@360.cn](mailto:zh-service@360.cn)



@360smartlife

### FCC Warning

This equipment has been tested and found to comply with the limits for a Class B digital device, pursuant to part 15 of the FCC Rules. These limits are designed to provide reasonable protection against harmful interference in a residential installation.

This equipment generates, uses and can radiate radio frequency energy and, if not installed and used in accordance with the instructions, may cause harmful interference to radio communications. However, there is no guarantee that interference will not occur in a particular installation.

If this equipment does cause harmful interference to radio or television reception, which can be determined by turning the equipment off and on, the user is encouraged to try to correct the interference by one or more of the following measures:

- Reorient or relocate the receiving antenna.
- Increase the separation between the equipment and receiver.
- Connect the equipment into an outlet on a circuit different from that to which the receiver is connected.
- Consult the dealer or an experienced radio/TV technician for help.

Caution: Any changes or modifications to this device not explicitly approved by manufacturer could void your authority to operate this equipment.

This device complies with part 15 of the FCC Rules. Operation is subject to the following two conditions: (1) This device may not cause harmful interference, and (2) this device must accept any interference received, including interference that may cause undesired operation.

The device has been evaluated to meet general RF exposure requirement. The device can be used in portable exposure condition without restriction.

FCC RF Radiation Exposure Statement Caution: To maintain compliance with the FCC's RF exposure guidelines, place the product at least 20cm from nearby persons.

# EU DECLARATION OF CONFORMITY

## Apparatus/Equipment

Product: 360 Robot Vacuum Cleaner

Model: S10

Supplied Accessories: Charging dock, Power adaptor and plugs

## Manufacturer

Name: Suzhou 360 Robotic Technology Co., Ltd.

Address: G3-2101, Artificial Intelligence industrial park, No. 88 Jinjihu Avenue, Suzhou Industrial Park, Suzhou, Jiangsu, China

Country: P.R.China

## This declaration of conformity is issued under the sole responsibility of the manufacturer.

The object of the declaration described above is in conformity with the following relevant Union harmonization directives and/or legislation(s):

Radio Equipment Directive (RED)	2014/53/EU	<input checked="" type="checkbox"/>
Low Voltage Directive (LVD)	2014/35/EU	<input checked="" type="checkbox"/>
Electromagnetic Compatibility Directive (EMCD)	2014/30/EU	<input checked="" type="checkbox"/>
Restriction of the use of certain hazardous substances (RoHS)	2011/65/EU	<input checked="" type="checkbox"/>
Ecodesign Requirements for energy-related products (ErP)	2009/125/EC	<input type="checkbox"/>

## References to the relevant standards used, including the date of the standard, or references to the other technical specifications, including the date of the specification, in relation to which conformity is declared:

2011/65/EU: IEC 62321-5:2013; IEC 62321-6:2015; IEC 62321-7-1:2015; IEC 62321-8:2017

2014/53/EU:

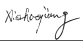
Article 3.1a: EN 60335-1:2012+A11:2014+A13:2017; EN 60335-2-2:2010+A11:2012+A1:2013; EN 62233:2008; EN IEC 62311:2020

Article 3.1b: EN 301 489-1 V2.2.3 (2019-11); EN 61000-3-2:2014; EN 61000-3-3:2013; Draft EN 301489-17 V3.2.2(2019-12); EN 55014-1:2017; EN 55014-2:2015

Article 3.2: EN 300328 V2.2.2(2019-07); EN50665:2017

Signed for and on behalf of: Suzhou 360 Robotic Technology Co., Ltd.

Place and date of issue: G3-2101, Artificial Intelligence industrial park, No. 88 Jinjihu Avenue, Suzhou Industrial Park, Suzhou, Jiangsu, China 2021/04/8

Signature: 

Name, function: Xie Haojiang Certification Manager

## Информация о безопасности

- **Перед использованием изделия ознакомьтесь со всеми инструкциями по безопасности и сохраните данное руководство для дальнейшего использования. Любые действия, выполняемые не так, как описано в данном руководстве, могут привести к серьезным травмам или повреждениям.**
- **ПРЕДУПРЕЖДЕНИЕ**
- Дети и лица с ограниченными физическими, психическими или умственными способностями могут проводить очистку и использовать данное изделие, только если находятся под наблюдением или были проинструктированы о том, как безопасно пользоваться устройством, и понимают связанные с этим опасности.
- Не оставляйте маленьких детей и домашних животных без присмотра во время работы устройства.
- Используйте данное изделие только с адаптером, шнуром питания, вилкой, аккумулятором и зарядной док-станцией, разрешенными производителем. Использование аксессуаров, не разрешенных производителем, может привести к возгоранию, выделению тепла, появлению дыма или взрыву изделия.
- Если робот-пылесос или какой-либо из его элементов поврежден, прекратите использование. Свяжитесь со службой поддержки клиентов 360 для замены или покупки нового изделия. Разбирать, ремонтировать или модифицировать данное изделие имеют право только специалисты по ремонту, назначенные или уполномоченные компанией 360.
- Не ставьте на робот-пылесос какие-либо предметы и живых существ (включая детей и домашних животных).
- Используйте и храните данное изделие только в сухом помещении при температуре от 0 °C до 40 °C.
- Обязательно отключайте робота от зарядной док-станции перед чисткой или обслуживанием.
- Не прикасайтесь к роботу или зарядной док-станции мокрыми руками и не протирайте изделие влажной тканью.
- Не мойте робота или зарядную док-станцию под проточной водой.
- В целях безопасности не используйте изделие в подвесных зонах (например, на чердаке, на открытом балконе, на верхней части мебели), не огражденных барьерами.
- Устанавливайте зарядную док-станцию на расстоянии не менее 1,5 м от лестниц, других открытых мест и источников тепла (например, обогревателей).
- Чтобы предотвратить короткое замыкание батареи, избегайте контакта клемм с металлическими предметами и погружения батареи в жидкость. Не подвергайте батарею механическим ударам.
- Периодически проверяйте батарею на отсутствие повреждений и утечки. Не заряжайте поврежденные или протекающие батареи, не допускайте попадания жидкости на кожу или в глаза. При попадании жидкости на кожу или в глаза промойте пораженный участок большим количеством воды и обратитесь за медицинской помощью.
- **ОСТОРОЖНО!**

- Данное изделие используется для мытья полов в домашних условиях. Оно не предназначено для работы на открытом воздухе (например, на открытом балконе), на других поверхностях, кроме пола (например, на диване), а также в коммерческих или промышленных помещениях.
- Перед включением изделия поднимите жалюзи или занавески и уберите шнуры питания, чтобы они не мешали работе пылесоса.
- Также убирайте с пола хрупкие предметы (например, вазы), чтобы робот не повредил их во время уборки.
- Щетка для чистки пылесоса должна храниться в недоступном для детей месте.
- Следите за тем, чтобы волосы, пальцы и другие части тела не приближались к отверстию для всасывания пыли во время работы робота.
- Не используйте данное изделие для уборки острых предметов (например, стекла и железных гвоздей).
- Не используйте изделие для уборки горящих или дымящихся предметов (например, окурков).

#### • ВНИМАНИЕ!

- Не используйте изделие в комнате, где спят младенцы или маленькие дети.
- Робот-пылесос не полностью очищает ковры с высоким ворсом и некоторые виды темных ковров.
- Не используйте бампер или верхнюю крышку в качестве ручки для переноски.
- Не включайте функцию влажной уборки на ковре или на мебельных поверхностях.
- Использование робота в помещении с прямым солнечным светом или отражающими объектами может повлиять на качество очистки.
- После распаковки в резервуаре для воды или на выпускных отверстиях могут быть следы от капель или воды, которые остались после испытания резервуара, проводимого на заводе перед отправкой, и являются нормой. Это не влияет на использование изделия.
- При необходимости перевозки убедитесь, что робот выключен. Рекомендуется использовать оригинальную упаковку.
- Перед длительным неиспользованием полностью зарядите робота, выключите и поместите в прохладное сухое место. Чтобы избежать чрезмерной разрядки батареи, заряжайте робота не реже одного раза в три месяца.
- В районах с частыми грозами рекомендуется использовать дополнительную защиту от повышения напряжения. Желательно защитить зарядную док-станцию сетевым фильтром на случай сильной грозы.
- Используйте робот-пылесос только в соответствии с данным руководством. Пользователь несет исключительную ответственность за любые убытки или травмы, вызванные неправильным использованием изделия.

#### • ПЕРЕРАБОТКА И УТИЛИЗАЦИЯ

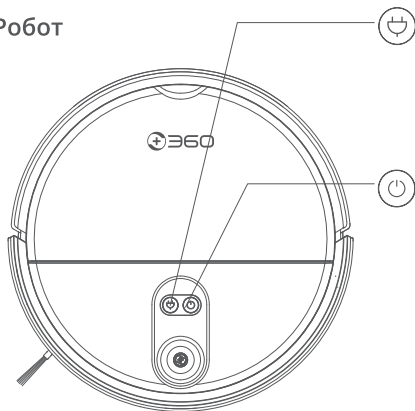
- Перед утилизацией или переработкой данного изделия отсоедините его от зарядной док-станции, выключите и извлеките аккумулятор.
- Поместите аккумулятор в герметичный полиэтиленовый пакет и утилизируйте в соответствии с местными экологическими нормами.
- Категорически запрещается сжигать данное изделие, даже если оно сильно повреждено.

## **Информация о лазере:**

- Все лазерные датчики соответствуют стандарту МЭК60825 для лазерной продукции класса 1 и не создают опасного излучения.
- Стандарт исполнения: МЭК60335.

## Обзор изделия

### Робот



#### Кнопка «Зарядка»

- Для запуска/остановки зарядки нажмите эту кнопку и сразу отпустите
- Для начала точечной уборки, нажмите и удерживайте эту кнопку

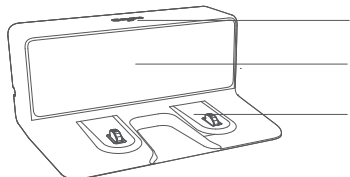
#### Кнопка «Включение»

- Для паузы/возобновления уборки нажмите эту кнопку и сразу отпустите
- Для включения/выключения нажмите и удерживайте в течение 3 секунд
- Для принудительного выключения нажмите и удерживайте 15 секунд

#### Примечание:

После включения робота нажмите обе кнопки и удерживайте в течение 3 секунд, чтобы сбросить Wi-Fi.

### Зарядная док-станция



- Индикатор питания
- Зона излучения сигнала
- Зарядные контакты

### Робот

Размеры	350 x 350 x 85 mm 13.78 x 13.78 x 3.35 дюйма
Вес изделия	3.85 кг 8.48 фунтов
Емкость батареи	5000 мАч, 7 Втч
Номинальное напряжение	14,52 В
Номинальная мощность	30 Вт

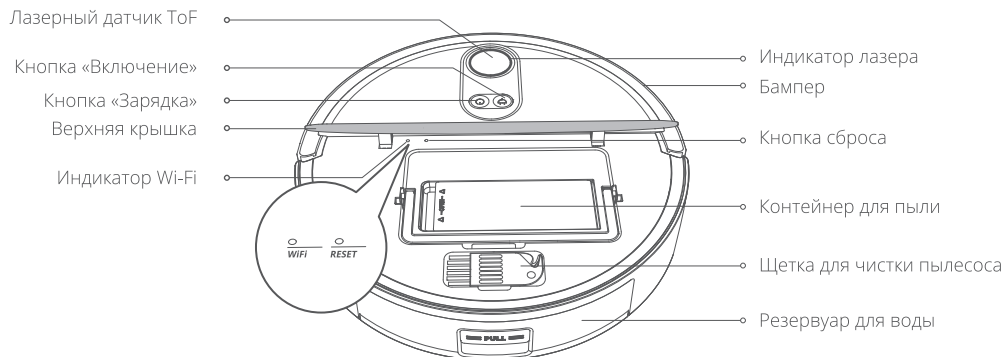
### Зарядная док-станция

Размеры	220 x 153 x 100 mm 8.66 x 6.02 x 3.94 дюйма
Номинальная мощность	24 Вт
Номинальная производительность	24 Вт

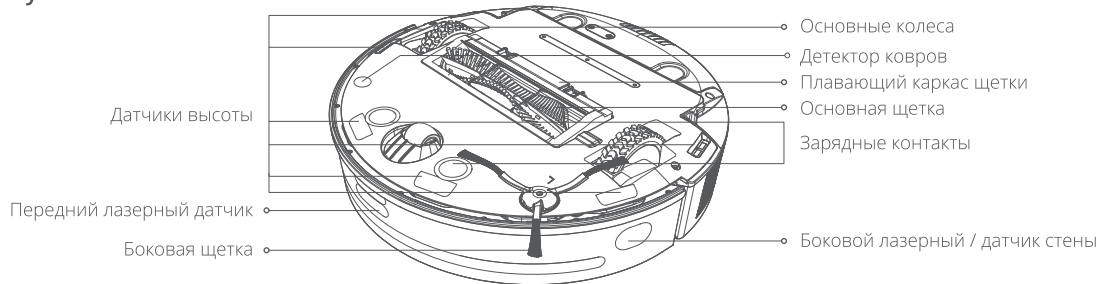
### Комплект поставки

Основной блок, зарядная док-станция, адаптер питания и вилки, резервуар для воды, крепление для микрофибры, площадка для микрофибры, руководство пользователя, небольшая щетка для чистки пылесоса

## Вид сверху



## Вид снизу

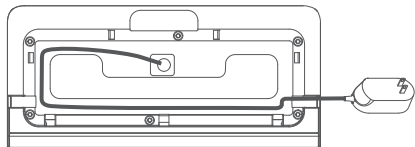


## Руководство по монтажу

### 1. Подключите адаптер питания к зарядной док-станции.

#### Примечание:

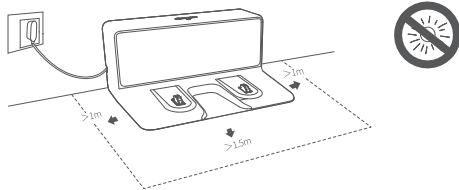
- Вставьте дополнительный кабель в разъем на задней панели зарядной док-станции, чтобы робот не растягивал кабели во время уборки.
- Индикатор зарядной док-станции горит постоянно, когда она подключена к сети, и гаснет, когда робот заряжается.



### 2. Разместите зарядную док-станцию на горизонтальном твердом полу и подключите к источнику питания.

#### Примечание:

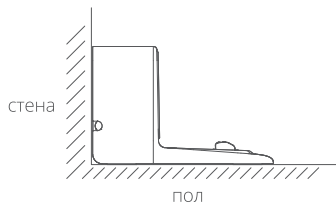
- Расположите док-станцию таким образом, чтобы вокруг нее было свободное место — по 1 метру с обеих сторон и 1,5 метра перед ней, и убедитесь, что в этой области нет предметов или ярко освещенных зон.
- Убедитесь, что зарядная док-станция находится на расстоянии не менее 1,5 метров от лестниц, других открытых мест и источников тепла (например, обогревателей).



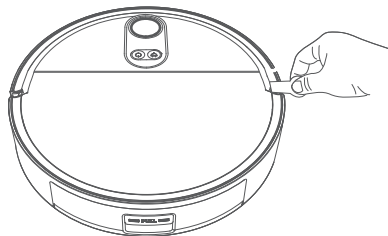
3. Чтобы робот мог проводить очистку и зарядку, не устанавливайте зарядную док-станцию на ковры и не перемещайте ее слишком часто. Если переместить зарядную док-станцию, робот может потерять ориентацию или удалить текущую карту. Во время следующей очистки он создаст и сохранит новую карту.

#### Примечание:



- После восстановления информация на карте (запретные зоны, названия комнат и пр.) может быть утеряна.



4. Поставьте робота на пол и удалите обе защитные полосы за бампером.



## 5. Включение и зарядка.

**Способ 1:** Нажмите и удерживайте кнопку  пока она не загорится и разместите робота в пределах одного метра от зарядной док-станции. Нажмите кнопку . Робот автоматически найдет док-станцию и перейдет к зарядке.

**Способ 2:** Поместите робота на зарядную док-станцию и совместите зарядные контакты. Индикатор питания на док-станции погаснет, а робот автоматически включится и начнет зарядку.

### Примечание:

- Периодически очищайте зарядные контакты док-станции и робота.
- Робот не включается при разряженной батарее, и автоматически включается, если его поместить зарядную док-станцию.
- Робот начинает уборку, только если уровень заряда батареи  $\geq 30\%$ .
- Необходимо обеспечить постоянное подключение питания к зарядной док-станции.
- Если робот начинает уборку не с зарядной док-станции, ему может потребоваться больше времени для стыковки с ней. Если док-станция для зарядки недоступна, робот после очистки вернется в исходное положение.

**6. Если в помещении есть подвесная зона (балкон, лестница и пр.), для безопасной работы устройства необходимо создать физический барьер, которые не позволит ему попасть в эту зону. Настоятельно рекомендуется создавать в приложении запретные зоны или запретные линии для таких зон.**



## 7. Загрузка приложения для мобильного телефона

**Способ 1:** Найдите приложение «360Robot» в Google Play или App Store и загрузите его.

Q 360Robot



360Robot

**Способ 2:** Отсканируйте приведенный ниже QR-код с помощью камеры мобильного телефона или любого приложения для сканирования QR-кода, чтобы загрузить приложение 360 Robot.



## 8. Добавление робота в приложение

- Выполните инструкции по настройке сети, чтобы приложение смогло найти вашего робота.
- Затем выполните пошаговые инструкции в приложении, чтобы привязать робота к своей учетной записи.

### Примечание:

- Внимательно ознакомьтесь с инструкциями по эксплуатации в разделе «Мои — Мои сервисы» в приложении и не стесняйтесь обращаться к нам, если у вас возникли какие-либо вопросы или комментарии.

## Послепродажное обслуживание

См. Декларацию соответствия ЕС здесь:

<https://smart.360.com/certifications/robot/s10.html>

### Содержание гарантии

Название	Содержание гарантии	Период
Робот	Робот (со встроенным аккумулятором)	1 год
Принадлежности	Зарядная док-станция, адаптер питания	1 год
Расходные материалы	Основная щетка, боковая щетка, каркас щетки, фильтр, щетка для чистки пылесоса, контейнер для пыли, резервуар для воды, крепление для микрофибры, площадка для микрофибры	/

### Исключения и ограничения

1. Ремонт изделия без разрешения производителя, неправильное использование, поломка, отсутствие ухода, намокание или повреждения в результате столкновения, модификация, использование неразрешенных аксессуаров.
2. Срок гарантии истек.
3. Повреждение вызвано обстоятельствами непреодолимой силы.
4. Дефекты изделия и расходных материалов, возникшие по вине владельца или пользователя.

### Контакты

Официальный сайт: [smart.360.com](http://smart.360.com)

Служба поддержки клиентов: [zh-service@360.cn](mailto:zh-service@360.cn)



@360smartlife

## Sicherheitsinformationen

---

- **Lesen Sie die gesamten Sicherheitshinweise und bewahren Sie die Bedienungsanleitung zum späteren Nachschlagen auf. Jede Bedienung, die nicht der Bedienungsanleitung entspricht, kann zu schweren Verletzungen oder Schäden führen.**

### • WARNUNG

- Dieses Produkt kann von Kindern oder Personen mit eingeschränkten physischen, oder geistigen Fähigkeiten nur dann benutzt werden, wenn sie beaufsichtigt werden oder bezüglich des sicheren Gebrauchs unterwiesen wurden und die daraus resultierenden Gefahren verstehen.
- Kleine Kinder und Haustiere sollten beaufsichtigt werden, wenn der Roboter in Betrieb ist.
- Dieses Produkt darf nur mit dem dafür zugelassenen Adapter, Stromkabel, Stecker, Batterie und Ladestation verwendet werden. Die Verwendung von nicht zugelassenem Zubehör kann dazu führen, dass das Produkt überhitzt, Rauch entwickelt, Feuer fängt oder explodiert.
- Verwenden Sie das Produkt nicht, wenn der Roboter oder Zubehör beschädigt ist. Bitte wenden Sie sich wegen eines Ersatzes oder Neukaufs an den Kundendienst von 360. Ausschließlich von 360 Servicetechniker dürfen dieses Produkt demontieren, reparieren oder verändern.
- Stellen Sie niemals Gegenstände (einschließlich Kinder und Haustiere) auf den Roboter.
- Verwenden und lagern Sie dieses Produkt nur in trockenen Räumen bei Temperaturen zwischen 0°C und 40°C.
- Trennen Sie Ihren Roboter immer von der Ladestation, bevor Sie ihn reinigen oder warten.
- Fassen Sie den Roboter oder die Ladestation nicht mit nassen Händen an und wischen Sie das Produkt nicht mit einem feuchten Tuch ab.
- Reinigen Sie den Roboter oder die Ladestation nicht unter fließendem Wasser.
- Um einen sicheren Betrieb zu gewährleisten, verwenden Sie das Produkt nicht in offenen Bereichen (z. B. offene Galerie im Obergeschoss, offener Balkon oder auf Möbeln), bei denen keine physischen Barrieren vorhanden sind.
- Stellen Sie sicher, dass die Ladestation mindestens 1,5 Meter von Treppen, anderen offenen Bereichen und Wärmequellen entfernt ist.
- Schließen Sie die Batterie nicht kurz, indem Sie Metallgegenstände mit den Batteriepolen in Berührung kommen lassen oder sie in Flüssigkeit eintauchen. Setzen Sie die Batterien keinen starken Erschütterungen aus.
- Überprüfen Sie die Batterie regelmäßig auf Beschädigung oder Auslaufen. Laden Sie die beschädigte oder ausgelaufene Batterie nicht. Die Flüssigkeit sollte nicht Haut oder Augen berühren. Wann es der Falls ist, waschen Sie die betroffene Stelle mit reichlich Wasser und suchen Sie einen Arzt auf.

### • ACHTUNG

- Dieses Produkt ist für die Reinigung von Fußböden im häuslichen Bereich bestimmt. Verwenden Sie es nicht für den Einsatz im Freien (z. B. auf einem offenen Balkon), an anderen Orten als auf dem Fußboden (z. B. auf einem Sofa), in gewerblichen oder industriellen Umgebungen.
- Entfernen Sie vor der Verwendung des Produkts die Schnüre von Jalousien oder Vorhängen sowie Stromkabel.
- Entfernen Sie zerbrechliche Gegenstände (z. B. Vasen) auf dem Boden, um zu verhindern, dass der Roboter Wertgegenstände beschädigt.
- Platzieren Sie das kleine Reinigungswerkzeug so, dass es sich außerhalb der Reichweite von Kindern befindet.

- Keine Haare, Finger oder andere Körperteile sollten in die Nähe der Staubansaugöffnung kommen, wenn der Roboter in Betrieb ist.
- Verwenden Sie dieses Produkt nicht zum Reinigen scharfer Gegenstände (z. B. Scherben, Glas und Nägel).
- Verwenden Sie dieses Produkt nicht zum Reinigen von brennenden oder rauchenden Gegenständen (wie z. B. nicht ausgedrückte Zigaretten).

#### • HINWEIS

- Verwenden Sie das Produkt nicht in einem Raum, in dem Säuglinge oder Kleinkinder schlafen.
- Hochflorteppiche und einige sehr dunkle Teppiche werden möglicherweise nicht richtig gereinigt.
- Verwenden Sie den Stoßdämpfer oder die obere Abdeckung nicht als Griff zum Tragen des Roboters.
- Verwenden Sie die Wischfunktion nicht auf Teppichen oder auf Möbeln.
- Die Verwendung des Roboters in einer Umgebung mit direkter Sonneneinstrahlung kann die Reinigungswirkung beeinträchtigen.
- Nach dem Auspacken sind möglicherweise Wasserflecken oder Wassertropfen auf dem Wasserbehälter oder an den Wasserauslässen des Produkts zu erkennen. Dies ist auf den speziellen Wasserbehältertest zurückzuführen, der im Werk vor der Auslieferung durchgeführt wird, und ist kein Anlass zur Sorge. Dies hat keinen Einfluss auf die Verwendung des Produkts.
- Transportieren Sie den Roboter nur im ausgeschalteten Zustand. Wir empfehlen, für den Transport die Originalverpackung zu verwenden.
- Wenn Sie dieses Produkt über einen längeren Zeitraum nicht verwenden, laden Sie es vollständig, schalten Sie es aus und lagern Sie es an einem kühlen und trockenen Ort. Laden Sie es mindestens einmal alle drei Monate auf, um eine Tiefentladung der Batterie zu vermeiden.
- Wenn Sie in einem Gebiet leben, in dem häufig Gewitter auftreten, wird empfohlen, einen zusätzlichen Überspannungsschutz zu verwenden. Durch den Einsatz eines Überspannungsschutzes kann Ihre Ladestation bei Überspannungen durch Blitzschlag geschützt werden.
- Bitte verwenden Sie dieses Produkt gemäß dem Handbuch. Der Benutzer haftet alleine für Schäden, die durch unsachgemäßen Gebrauch verursacht werden.

#### • RECYCLING UND ENTSORGUNG

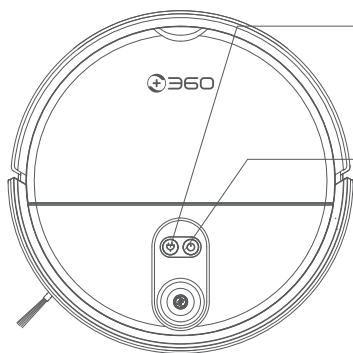
- Trennen Sie das Produkt von der Ladestation, schalten Sie es aus und entfernen Sie die Batterie, bevor Sie es recyceln oder entsorgen.
- Geben Sie die Batterie in einen verschlossenen Plastikbeutel und recyceln oder entsorgen Sie sie sicher gemäß den örtlichen Umweltvorschriften.
- Es ist strengstens verboten, das Produkt zu verbrennen, auch wenn es stark beschädigt ist.

#### Informationen zum Laser:

- Alle Lasersensoren erfüllen die Produktnorm für Laser der Klasse 1 gemäß IEC60825 und erzeugen keine gefährliche Laserstrahlung.
- Ausführungsnorm: IEC60335.

## Produktübersicht

### Roboter



#### Ladetaste

- Kurz drücken zum Aufladen/Pausieren des Ladevorgangs.
- Gedrückt halten, um die Fleckentfernung zu starten.



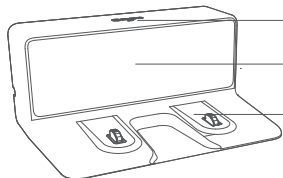
#### Einschalttaste CLEAN (REINIGEN)

- Kurz drücken, um zu Pausieren/Reinigung fortzuführen.
- Zum Ein-/Ausschalten 3 Sekunden gedrückt halten.
- Um die Abschaltung zu erzwingen, 15 Sekunden gedrückt halten.

#### Hinweis:

Nach Einschalten des Roboters beide Tasten 3 Sekunden lang gedrückt halten, um die WLAN-Verbindung zurückzusetzen.

### Ladestation



- Stromanzeige
- Bereich der Signalabgabe
- Ladekontakte

### Roboter

Abmessungen	350 x 350 x 85 mm 13.78 x 13.78 x 3.35 Zoll
-------------	--

Produktgewicht	3.85 kg 8.48 lbs
----------------	---------------------

Batteriekapazität	5000 mAh, 72 Wh
-------------------	-----------------

Nennspannung	14.52V
--------------	--------

Nennleistung	30W
--------------	-----

### Ladestation

Abmessungen	220 x 153 x 100 mm 8.66 x 6.02 x 3.94 Zoll
-------------	---

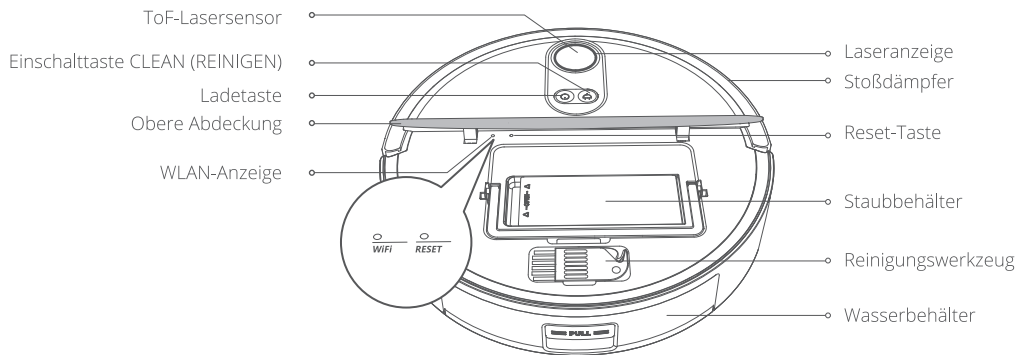
Nennleistung	24W
--------------	-----

Nennausgangsleistung	24W
----------------------	-----

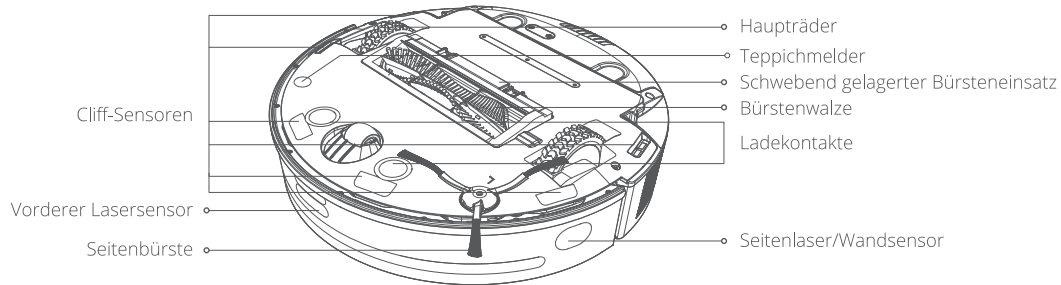
### Packungsinhalt

Saugroboter, Ladestation, Netzteil und Stecker, Wasserbehälter, Mophalter, Mop-Pad, Bedienungsanleitung, kleines Reinigungswerkzeug.

## Draufsicht



## Unteransicht

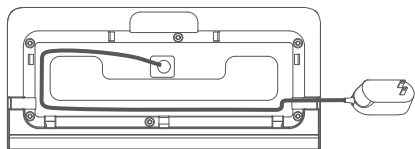


## Montageanleitung

### 1. Verbinden Sie den Netzteil mit der Ladestation.

#### Hinweis:

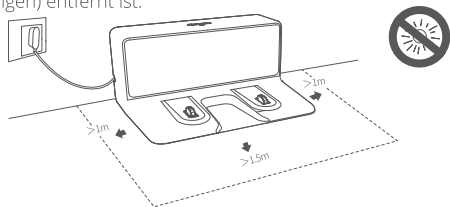
- Stecken Sie das nicht benötigte Kabel in den Schlitz auf der Rückseite der Ladestation, um zu verhindern, dass das Kabel beim Reinigen vom Roboter gedehnt werden.
- Die Anzeige der Ladestation leuchtet, wenn sie mit Strom versorgt wird, und ist aus, wenn der Roboter geladen wird.



### 2. Stellen Sie die Ladestation auf einen ebenen, festen Boden und verbinden Sie sie mit der Stromquelle.

#### Hinweis:

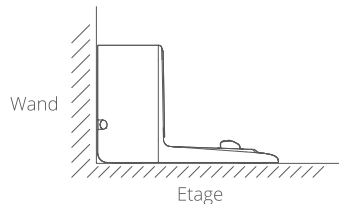
- Lassen Sie an beiden Seiten 1 Meter und vorne 1,5 Meter Abstand zur Ladestation und stellen Sie sicher, dass sich in diesem Bereich keine Gegenstände oder starkes Licht befinden.
- Stellen Sie sicher, dass die Ladestation mindestens 1,5 Meter von Treppen, anderen offenen Bereichen und Wärmequellen (wie Heizungen) entfernt ist.



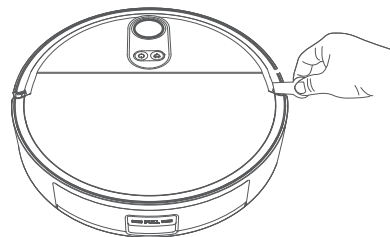
3. Um sicherzustellen, dass der Roboter geputzt und aufgeladen werden kann, stellen Sie die Ladestation nicht auf Teppiche und setzen Sie sie nicht zu häufig um. Wenn die Ladestation umgesetzt wird, kann es sein, dass der Roboter sich nicht selbst lokalisieren kann oder die aktuelle Karte gelöscht wird. Er wird bei der nächsten Reinigung eine neue Karte erstellen und speichern.

#### Hinweis:

- Die Karteninformationen (No-Go-Zonen, Raumnamen usw.) können nach der erneuten Kartenerstellung verloren gehen.



4. Setzen Sie den Roboter auf den Boden und entfernen Sie beide Schutzstreifen hinter dem Stoßdämpfer.



## 5. Schalten Sie den Roboter ein und laden Sie ihn auf.

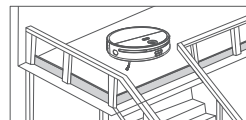
**Methode 1:** Halten Sie die ☺-Taste gedrückt, bis sie aufleuchtet, und platzieren Sie den Roboter in einem Meter Entfernung von der Ladestation. Drücken Sie die ☺-Taste, der Roboter sucht automatisch nach der Ladestation und beginnt mit dem Ladevorgang.

**Methode 2:** Setzen Sie den Roboter auf die Ladestation und richten Sie die Ladekontakte aus. Die Stromanzeige an der Ladestation erlischt und der Roboter schaltet sich automatisch ein und beginnt zu laden.

### Hinweis:

- Reinigen Sie regelmäßig die Ladekontakte an der Ladestation und am Roboter.
- Der Roboter kann nicht eingeschaltet werden, wenn die Batterie nicht ausreichend geladen ist. Er schaltet sich automatisch ein, wenn er auf die Ladestation gestellt wird.
- Der Roboter beginnt erst dann mit Reinigungsaufgaben, wenn der Batteriestand mindestens 30 % beträgt.
- Achten Sie darauf, dass die Ladestation mit Strom versorgt wird.
- Wenn der Roboter die Ladestation nicht verlässt, um mit der Reinigung zu beginnen, benötigt er möglicherweise mehr Zeit in der Station. Wenn die Ladestation nicht erreicht werden kann, kehrt der Roboter nach der Reinigung zur Startposition zurück.

**6. Wenn im zu reinigenden Raum Absturzgefahr besteht (Balkon, Treppe usw.), sollte eine physische Barriere verwendet werden, um den Zugang zu diesem Bereich zu verhindern und einen sicheren Betrieb sicherzustellen. In der Zwischenzeit ist es sehr empfehlenswert, in der App No-Go-Zonen oder No-Go-Linien für diese Bereiche zu erstellen.**



## 7. Laden Sie die App für Mobiltelefone herunter

**Methode 1:** Suchen Sie in Google Play oder App Store nach "360Robot" und laden Sie die App herunter.

🔍 360Robot ✕



360Robot

**Methode 2:** Scannen Sie den untenstehenden QR-Code mit der Handykamera oder einer beliebigen QR-Code-Scanner-App, um die 360-Roboter-App herunterzuladen.



## 8. Fügen Sie Ihren Roboter in der App hinzu.

- Bitte beachten Sie die Anweisungen zur Netzwerkkonfiguration in dem Kasten, damit die App Ihren Roboter finden kann.
- Folgen Sie dann Schritt für Schritt den Anweisungen in der App, um den Roboter mit Ihrem Konto zu verbinden.

### Hinweis:

- Bitte sehen Sie sich die weiteren Bedienungsanweisungen in „Mein - Mein Service“ in der App an und zögern Sie nicht, uns zu kontaktieren, wenn Sie Fragen oder Kommentare haben.

## Kundendienst

---

### Inhalt der Garantie

Name	Inhalt der Garantie	Zeitraum
Roboter	Roboter (inklusive integrierter Batterie)	1 Jahr
Zubehör	Ladestation, Netzteil	1 Jahr
Verbrauchsmaterialien	Bürstenwalze, Seitenbürste, Bürsteneinsatz, Filter, Reinigungswerkzeug, Staubbehälter, Wasserbehälter, Mophalter, Mop-Pad	/

### Ausschlüsse und Beschränkungen

1. Das Produkt wurde ohne Erlaubnis repariert, wurde falsch benutzt, ist abgestürzt, wurde nicht gepflegt, wurde missbraucht, ist nass geworden oder wurde durch einen Unfall beschädigt, wurde verändert, es wurde nicht autorisiertes Zubehör verwendet
2. Die Garantiezeit ist abgelaufen.
3. Der Schaden wurde durch höhere Gewalt verursacht.
4. Der Defekt des Produkts und des Zubehörs wurde durch den Eigentümer oder Benutzer verursacht.

### Kontakt

Offizielle Website: [smart.360.com](https://smart.360.com)

Kundendienst: [zh-service@360.cn](mailto:zh-service@360.cn)



@360smartlife

**Siehe die EU DoC (Konformitätserklärung) hier:**

<https://smart.360.com/certifications/robot/s10.html>

## Informations relatives à la sécurité

- **Avant d'utiliser le produit, veuillez lire l'ensemble des instructions de sécurité et conserver le mode d'emploi pour future référence. Toute opération ne respectant pas les instructions de ce mode d'emploi pourra entraîner des blessures ou dommages graves.**

### • AVERTISSEMENT

- Ce produit ne peut être utilisé et nettoyé par des enfants ou des personnes aux capacités physiques, sensorielles ou mentales réduites que sous supervision ou s'il leur a été fourni des instructions concernant l'utilisation sûre de l'appareil et s'ils comprennent les risques encourus.
- Les jeunes enfants et les animaux de compagnie doivent faire l'objet d'une surveillance lorsque le robot fonctionne.
- Ce produit ne doit être utilisé qu'avec l'adaptateur, le cordon d'alimentation, la fiche, la batterie et la station de chargement autorisés. L'utilisation d'accessoires non autorisés peut entraîner la surchauffe de l'appareil, la production de fumée, un incendie ou une explosion du produit.
- Vous devez cesser d'utiliser le produit si le Robot ou un de ses accessoires est endommagé. Veuillez contacter le Service clients 360 pour tout achat ou remplacement. Seuls les techniciens de réparation désignés et certifiés par 360 sont autorisés à démonter, réparer ou modifier ce produit.
- Ne placez jamais aucun objet (y compris des enfants ou animaux) sur le robot.
- Utilisez et stockez uniquement ce produit à l'intérieur dans un endroit sec, à une température comprise entre 0 °C et 40 °C.
- Débranchez toujours votre Robot de la station de chargement avant de le nettoyer ou de l'entretenir.
- Ne manipulez pas votre Robot ou sa station de chargement avec des mains mouillées, et n'essayez pas le produit avec un chiffon mouillé.
- Ne lavez pas le Robot ou sa station de chargement en les passant sous l'eau.
- Pour garantir un fonctionnement sûr, n'utilisez pas le produit dans une zone surélevée (comme une mezzanine, un balcon ouvert ou le dessus d'un meuble) sans barrière physique.
- Assurez-vous que la station de chargement est placée à au moins 1,5 mètre d'escaliers, d'autres zones ouvertes et de sources de chaleur (telles que des radiateurs).
- Ne court-circuitez pas la batterie en mettant en contact des objets métalliques avec les bornes de la batterie ou en la plongeant dans un liquide. Ne soumettez pas les batteries à un choc mécanique.
- Inspectez régulièrement la batterie pour détecter tout signe de dommage ou de fuite. Ne chargez pas une batterie endommagée ou qui fuit, et évitez tout contact du liquide avec la peau ou les yeux. En cas de contact, rincez abondamment la zone touchée à l'eau et contactez un médecin.

### • MISE EN GARDE

- Ce produit est conçu pour le nettoyage des sols domestiques. Ne l'utilisez pas à l'extérieur (par ex. sur un balcon ouvert), ailleurs que sur le sol (par ex. sur un canapé) ou dans un environnement commercial ou industriel.
- Avant d'utiliser le produit, retirez les cordons des persiennes ou rideaux, et les cordons d'alimentation afin d'éviter qu'ils ne bloquent le produit.
- Retirez les objets fragiles (tels que les vases) du sol pour éviter que le robot n'endommage les objets de valeur.

- Placez le petit accessoire de nettoyage hors de portée des enfants.
- N'approchez pas de cheveux, doigts ou autres parties du corps du port d'aspiration de la poussière pendant le fonctionnement du robot.
- N'utilisez pas ce produit pour nettoyer des objets tranchants (par ex. débris de décorations, verre, clous).
- N'utilisez pas ce produit pour nettoyer des objets en feu ou fumants (par ex. mégots de cigarettes non éteints).

#### • AVIS

- N'utilisez pas ce produit dans une pièce où dorment des bébés ou de jeunes enfants.
- Les tapis poils longs et certains tapis sombres et épais pourront ne pas être nettoyés correctement.
- N'utilisez pas le butoir ou le couvercle comme poignées pour transporter le robot.
- N'utilisez pas la fonction lavage sur des tapis ou sur le dessus des meubles.
- L'utilisation du Robot dans un environnement en plein soleil ou comportant des objets très réfléchissant peut affecter l'effet du nettoyage.
- Après le déballage, vous pourrez constater la présence de traces d'eau ou de gouttes d'eau résiduelles sur le réservoir d'eau ou les sorties d'eau du produit, dues au test du réservoir d'eau spécialisé réalisé en usine avant la livraison. Ces traces et gouttes sont normales, et n'affecteront pas le fonctionnement du produit.
- Assurez-vous que le Robot est hors tension avant de le transporter. Il est recommandé de transporter le produit dans son emballage d'origine.
- Si le produit doit rester inutilisé pendant une longue période, éteignez le robot une fois qu'il est pleinement chargé, et placez le produit dans un endroit frais et sec. Chargez le robot au moins une fois tous les trois mois pour éviter que la batterie ne se décharge entièrement.
- Si vous vivez dans une zone propice aux orages électriques, il est recommandé d'utiliser une protection supplémentaire contre les surtensions. Votre station de chargement pourra être protégée par un dispositif antisurtension en cas d'orages électriques importants.
- Veuillez utiliser ce produit conformément aux instructions fournies dans ce mode d'emploi. L'utilisateur sera seul responsable de toute perte ou blessure provoquée par une mauvaise utilisation du produit.

#### • RECYCLAGE ET MISE AU REBUT

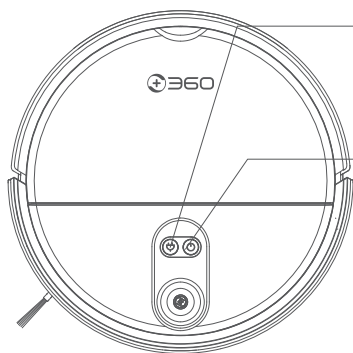
- Débranchez le produit de sa station de chargement, mettez-le hors tension et retirez la batterie avant de le recycler ou de le mettre au rebut.
- Placez la batterie dans un sac plastique étanche et recyclez-la ou mettez-la au rebut conformément à la réglementation environnementale locale.
- Il est strictement interdit de brûler le produit, même si celui-ci est gravement endommagé.

### Informations relatives aux lasers :

- Tous les capteurs lasers sont conformes à la norme pour les produits laser de classe 1 IEC60825 et ne produisent pas de rayonnement laser dangereux.
- Norme d'exécution : IEC60335.

## Présentation du produit

### Robot



#### Bouton Chargement

- Courte pression pour charger/interrompre le chargement.
- Longue pression pour lancer le nettoyage des taches.



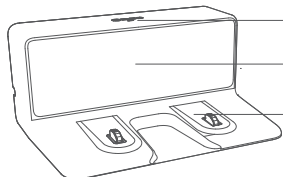
#### Bouton NETTOYAGE/alimentation

- Courte pression pour démarrer/interrompre/repandre le nettoyage.
- Pression de 3 secondes pour mettre sous/hors tension.
- Pression de 15 secondes pour forcer l'arrêt.

#### Remarque:

Une fois le Robot sous tension, appuyez sur les deux boutons pendant 3 secondes pour réinitialiser le Wi-Fi.

### Station de chargement



- Témoin d'alimentation
- Zone d'émission du signal
- Points des contacts de chargement

#### Robot

Dimensions	350 x 350 x 85 mm 13.78 x 13.78 x 3.35 inches
Poids du produit	3.85 kg 8.48 lbs
Capacité de la batterie	5000 mAh, 72 Wh
Tension nominale	14.52V
Puissance nominale	30W

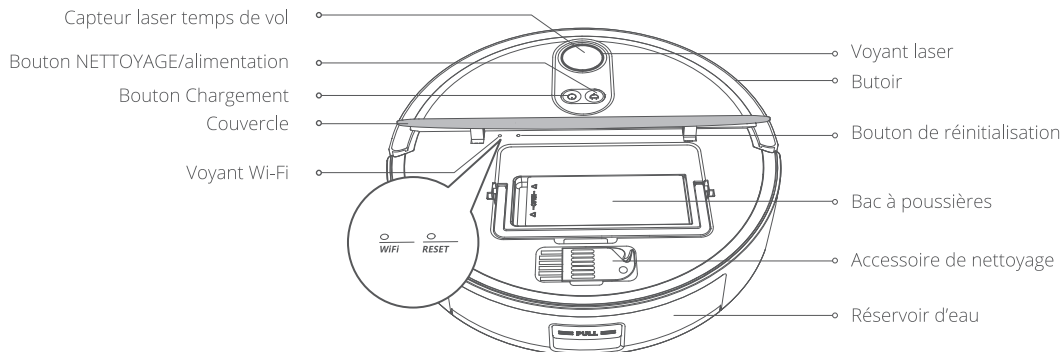
#### Station de chargement

Dimensions	220 x 153 x 100 mm 8.66 x 6.02 x 3.94 inches
Puissance nominale	24W
Sortie nominale	24W

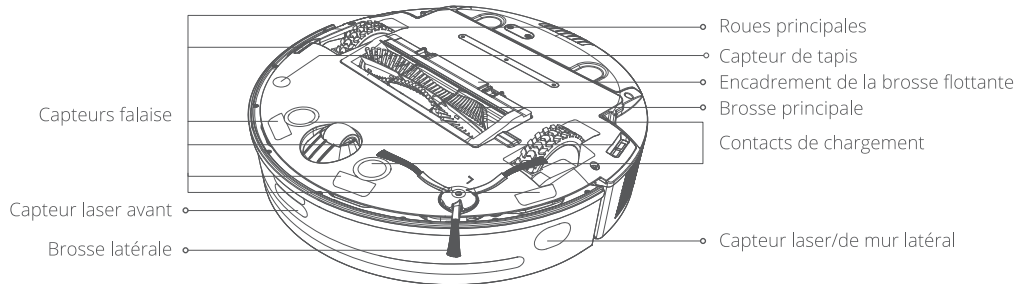
#### Contenu de la boîte

Unité principale, station de chargement, adaptateur secteur et fiches d'alimentation, réservoir d'eau, support de la serpillière, serpillière, mode d'emploi, petit accessoire de nettoyage.

## Vue de dessus



## Vue de dessous

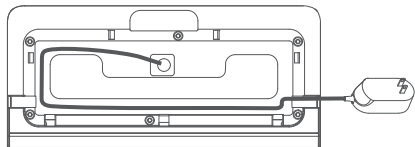


## Instructions d'installation

### 1. Branchez l'adaptateur secteur à la station de chargement.

#### Remarque:

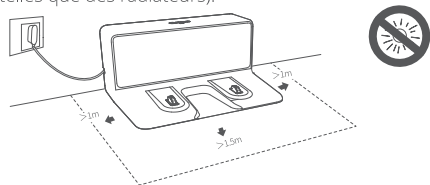
- Placez l'excès de câble dans la fente à l'arrière de la station de chargement pour éviter que le robot tire sur le câble pendant le nettoyage.
- Le voyant de la station de chargement est allumé en continu lorsque celle-ci est alimentée et éteint lorsque le robot est en cours de chargement.



### 2. Placez la station de chargement sur un sol dur horizontal et branchez l'alimentation.

#### Remarque:

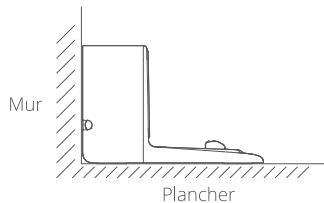
- Laissez 1 mètre de chaque côté et 1,5 mètre à l'avant de la station de chargement, et assurez-vous qu'aucun objet ou lumière vive ne se trouve dans cette zone.
- Assurez-vous que la station de chargement est placée à au moins 1,5 mètre d'escaliers, d'autres zones ouvertes et de sources de chaleur (telles que des radiateurs).



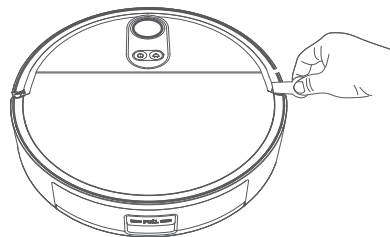
3. Pour vous assurer que le Robot peut être nettoyé et rechargé, ne placez pas la station de chargement sur un tapis, et ne la déplacez pas fréquemment. Lorsque la station de chargement est déplacée, le Robot pourra ne plus parvenir à se localiser ou pourra supprimer la carte actuelle. Il créera et enregistrera une nouvelle carte lors du prochain nettoyage.

#### Remarque:

- Les informations de la carte (zones interdites, noms des pièces, etc.) pourront être perdues lors de la création d'une nouvelle carte.



4. Placez le Robot au sol et retirez les deux bandes de protection derrière le butoir.



## 5. Mettez le robot sous tension et laissez-le charger.

**Méthode 1:** appuyez longuement sur le bouton (🔌) jusqu'à ce qu'il s'allume, puis placez le Robot à moins d'un mètre de la station de chargement. Appuyez sur le bouton (🔌). Le Robot cherche automatiquement la station de chargement et va se recharger.

**Méthode 2:** placez le Robot sur la station de chargement et alignez leurs contacts de chargement. Le témoin d'alimentation sur la station de chargement s'éteint et le robot se met automatiquement sous tension et commence à charger.

### Remarque:

- Nettoyez régulièrement les contacts de chargement de la station de chargement et du robot.
- Il est impossible de mettre le robot sous tension lorsque le niveau de batterie est insuffisant, et il s'allume automatiquement lorsqu'il est placé sur la station de chargement.
- Le Robot ne lance des tâches de nettoyage que lorsque le niveau de batterie est  $\geq 30\%$ .
- Laissez la station de chargement sous tension.
- Si le robot ne commence pas le nettoyage depuis la station de chargement, il a peut-être besoin de rester en chargement plus longtemps. S'il ne parvient pas à retourner à la station de chargement, le Robot retourne à son point de départ après le nettoyage.

**6. Si la pièce à nettoyer contient une zone en hauteur (balcon, escaliers, etc.), une barrière physique doit être installée pour empêcher l'accès du robot à cette zone et garantir un fonctionnement sûr. Il est également fortement recommandé de créer des zones interdites ou des limites infranchissables pour ces zones depuis l'application.**



## 7. Téléchargez l'application mobile.

**Méthode 1:** Recherchez « 360Robot » dans Google Play ou l'App Store, et téléchargez l'application.

Q 360Robot



360Robot

**Méthode 2:** Scannez le code QR ci-dessous avec la caméra de votre téléphone ou une application de scanner de code QR pour télécharger l'application 360 Robot.

or any QR code scanner App to download the 360 Robot App.



## 8. Ajoutez votre robot sur l'application.

- Veuillez vous reporter aux instructions de configuration sur réseau sur l'emballage pour permettre à l'application de trouver votre Robot.
- Suivez ensuite les instructions sur l'application étape par étape pour associer le Robot à votre compte.

### Remarque:

- Veuillez consulter les instructions d'utilisation supplémentaires dans « Mon - Mon service » sur l'application, et n'hésitez pas à nous contacter si vous avez des questions ou des commentaires.

## Service après-vente

### Contenu de la garantie

Nom	Contenu de la garantie	Période
Robot	Robot (avec batterie intégrée)	1 an
Accessoires	Station de chargement, adaptateur secteur	1 an
Consommables	Brosse principale, brosse latérale, encadrement de la brosse, filtre, accessoire de nettoyage, bac à poussières, réservoir d'eau, support de la serpillière, serpillière	/

### Exclusions et limitations

1. Le produit est réparé sans autorisation, utilisé de façon incorrecte, écrasé, négligé, mal utilisé, mouillé ou endommagé dans un accident, modifié, des accessoires non autorisés sont utilisés.
2. La période de garantie expire.
3. Dommages causés par une catastrophe naturelle.
4. Défauts du produit et des accessoires causés par le propriétaire ou l'utilisateur.

### Nous contacter

Site officiel : [smart.360.com](http://smart.360.com)

Service clients : [zh-service@360.cn](mailto:zh-service@360.cn)



@360smartlife

### Consultez la DoC (Déclaration de conformité) de l'UE ici:

<https://smart.360.com/certifications/robot/s10.html>

## Información de seguridad

---

- **Antes de utilizar el producto, lea todas las instrucciones de seguridad y guarde el manual para futuras consultas. Utilizar la unidad de forma distinta a la indicada en el manual puede causar lesiones o daños graves.**

### • ADVERTENCIA

- Las personas con discapacidad física, psíquica o sensorial podrán utilizar este producto bajo supervisión o si les dan instrucciones acerca del uso del aparato de una manera segura y si entienden los riesgos implicados.
- Es necesario supervisar a los niños pequeños y las mascotas durante el funcionamiento de la unidad.
- Este producto solo puede utilizarse con el adaptador, el cable de alimentación, el enchufe, la batería y la base de carga proporcionados. La utilización de cualquier accesorio no autorizado puede hacer que el producto genere calor o humo, se incendie o explote.
- Deje de utilizar el producto si el robot o cualquiera de sus accesorios están dañados. Póngase en contacto con el Servicio de atención al cliente de 360 para comprar o sustituir las piezas dañadas. Ninguna persona, salvo los técnicos de reparación designados o autorizados por 360, podrá desmontar, reparar o modificar este producto.
- No coloque objetos (incluidos niños y mascotas) sobre el robot en ningún momento.
- Utilice y almacene este producto solamente en interiores y en lugares secos, con un rango de temperatura de 0 °C/32 °F a 40 °C/104 °F.
- Desconecte siempre el robot de la base de carga antes de realizar tareas de limpieza o mantenimiento.
- No manipule el robot ni la base de carga con las manos mojadas, ni limpie el producto con un paño húmedo.
- No lave el robot ni la base de carga bajo agua corriente.
- Para garantizar un funcionamiento seguro, no utilice el producto en una zona suspendida (como un desván del segundo piso, un balcón abierto o la parte superior de un mueble) sin utilizar una barrera física.
- Asegúrese de que la base de carga esté colocada a una distancia mínima de 1,5 metros (4,9 pies) de escaleras, otras zonas abiertas y fuentes de calor (tal como radiadores o estufas).
- Evite que se produzca un cortocircuito en la batería, no la sumerja en agua ni permita el contacto de objetos metálicos con los terminales de la batería. No someta la batería a choques mecánicos.
- Inspeccione periódicamente el paquete de baterías para detectar cualquier señal de daño o fuga. No cargue ninguna batería que presente daños o tenga fugas, ni permita que el líquido entre en contacto con la piel o los ojos. En caso de contacto, lave la zona afectada con agua abundante y acuda al médico.

### • PRECAUCIÓN

- Este producto se ha diseñado para la limpieza del suelo en un entorno doméstico. No lo utilice en zonas exteriores (como, por ejemplo, un balcón abierto), ni sobre otras superficies (como, por ejemplo, un sofá), ni en instalaciones comerciales e industriales.
- Antes de utilizar el producto, aparte las cintas de persianas o cortinas y los cables de alimentación para evitar que se enreden con el producto.

- Retire los objetos frágiles (como el caso de jarrones) del suelo para evitar que el robot dañe los objetos de valor.
- Coloque el robot de limpieza en una zona fuera del alcance de los niños.
- No acerque el pelo, los dedos o cualquier otra parte del cuerpo al puerto de aspiración de polvo cuando el robot esté en funcionamiento.
- No utilice este producto para aspirar objetos afilados (como restos de decoración, vidrio o clavos de hierro).
- No utilice este producto para aspirar objetos calientes o humeantes (como colillas que no estén completamente apagadas).

#### • AVISOE

- No utilice el producto en una habitación en la que estén durmiendo bebés o niños pequeños.
- Es posible que el robot no limpie correctamente las alfombras de pelo alto y algunas alfombras muy densas.
- No utilice el parachoques ni la cubierta superior como asas para transportar el robot.
- No utilice la función de fregado en alfombras ni sobre los muebles.
- Utilizar el robot en un entorno con luz solar directa u objetos fuertemente reflectantes puede afectar al efecto de limpieza.
- Al desembalar el producto, es posible que descubra manchas de agua o gotas de agua residual en el depósito de agua del producto o en las salidas de agua, esto se debe a la prueba especializada del depósito de agua realizada en fábrica antes de la entrega y es completamente normal. Esto no afecta en modo alguno a la utilización del producto.
- Si necesita transportar el producto, asegúrese de que esté apagado. Se recomienda utilizar el embalaje original para el transporte.
- Si no va a utilizar este producto durante un período de tiempo prolongado, apague el robot después de que esté completamente cargado y guárdelo en un lugar fresco y seco. Cargue el robot al menos una vez cada tres meses para evitar la sobredescarga de la batería.
- Si vive en una zona propensa a las tormentas eléctricas, se recomienda utilizar una protección adicional contra picos de corriente. Su estación de carga puede estar protegida con un protector de picos de corriente que se activa en caso de fuertes tormentas eléctricas.
- Utilice siempre este producto de acuerdo con las indicaciones proporcionadas en el manual. La responsabilidad por cualquier pérdida o lesión causada por un uso inadecuado será exclusivamente del usuario.

#### • RECICLADO Y ELIMINACIÓN

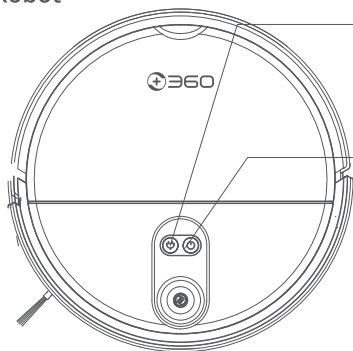
- Desconecte el producto de la base de carga, apáguelo y retire la batería antes de reciclarlo o desecharlo.
- Introduzca la batería en una bolsa de plástico sellada y recíclala o deséchela de forma segura según la normativa medioambiental local.
- Está estrictamente prohibido quemar el producto, aunque esté muy dañado.

### Información sobre el láser

- Todos los sensores láser cumplen con la normativa de productos láser de clase 1 de la norma IEC60825 y no producen radiación láser peligrosa.
- Normativa: IEC60335.

## Presentación general del producto

### Robot



#### Botón de carga

- Pulse para cargar o para poner en pausa el proceso de carga.
- Mantenga pulsado para comenzar la limpieza de manchas.



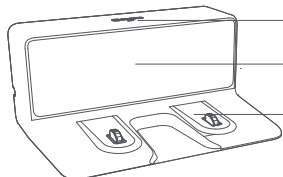
#### Botón de encendido/LIMPIEZA

- Pulse para iniciar/pausar o reanudar la limpieza.
- Mantenga pulsado durante 3 segundos para encender o apagar el robot.
- Mantenga pulsado este botón durante 15 segundos para forzar el apagado del robot.

#### Nota:

Con el robot encendido, pulse ambos botones y manténgalos presionados durante 3 segundos para restaurar la señal Wi-Fi.

### Base de carga



- Indicador de alimentación
- Zona de emisión de señales
- Puntos de contacto de carga

Robot	
Medidas	350 x 350 x 85 mm 13.78 x 13.78 x 3.35 pulgadas
Peso del producto	3.85 kg 8.48 libras
Capacidad de la batería	5000 mAh, 72 Wh
Tensión nominal	14.52V
Potencia nominal	30W

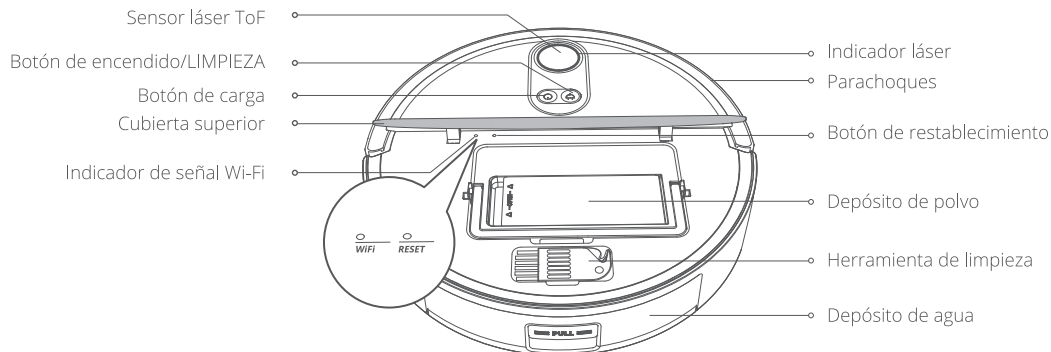
  

Base de carga	
Medidas	220 x 153 x 100 mm 8.66 x 6.02 x 3.94 pulgadas
Potencia nominal	24W
Salida nominal	24W

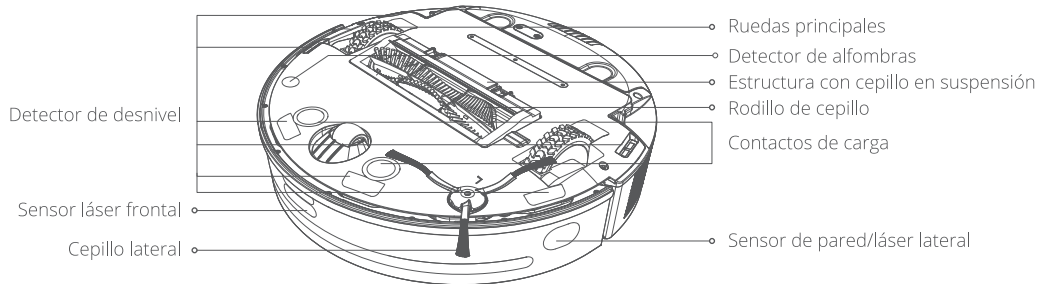
  

Contenido de la caja	
Unidad principal, base de carga, adaptador de corriente y enchufes, depósito de agua, soporte para la fregona, almohadilla para la fregona, manual del usuario, pequeña herramienta de limpieza.	

## Vista superior



## Vista inferior

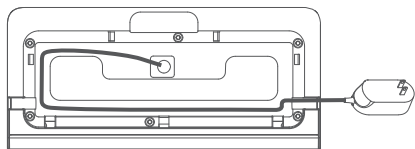


## Instrucciones de instalación

### 1. Conecte el adaptador de corriente a la base de carga.

#### Nota:

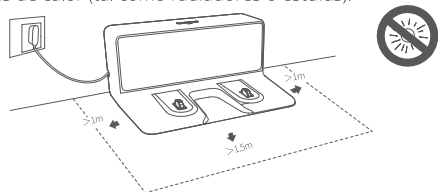
- Coloque el cable adicional en la ranura de la parte posterior de la base de carga para evitar que el robot atrape los cables al desplazarse.
- El indicador de la base de carga se enciende cuando tiene energía y se apaga cuando el robot se está cargando.



### 2. Coloque la base de carga sobre una superficie horizontal dura (el suelo) y conecte la fuente de alimentación.

#### Nota:

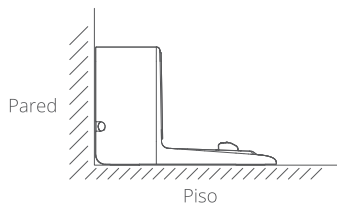
- Deje una separación de 1 metro (3,3 pies) a ambos lados y 1,5 metros (4,9 pies) en la parte delantera de la base de carga, y asegúrese de que no haya objetos ni luz fuerte dentro de esta área.
- Asegúrese de que la base de carga esté colocada a una distancia mínima de 1,5 metros (4,9 pies) de escaleras, otras zonas abiertas y fuentes de calor (tal como radiadores o estufas).



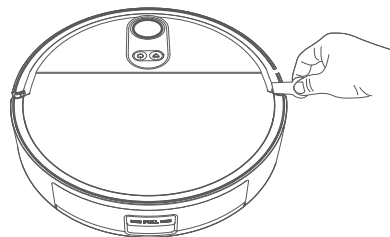
3. Para garantizar que el robot inicie la limpieza y vuelva a la base de carga sin dificultades, no ponga la base de carga sobre alfombras ni la mueva con frecuencia. Si mueve la base de carga, es posible que el robot no la detecte o encuentre con el mapa actual. Creará y guardará un nuevo mapa durante el siguiente ciclo de limpieza.

#### Nota:



- La información del mapa (zonas prohibidas, nombres de las habitaciones etc.) puede perderse.



4. Ponga el robot en el suelo y retire las dos tiras protectoras detrás del parachoques.



## 5. Encienda y cargue el robot.

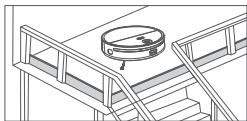
**Método 1:** Mantenga pulsado el botón  hasta que se ilumine y coloque el robot a menos de un metro de la base de carga. Presione el botón , el robot buscará automáticamente la base de carga y se pondrá a cargar.

**Método 2:** Coloque el robot en la base de carga y alinee sus contactos de carga. El indicador de encendido de la base de carga se apaga, el robot se enciende automáticamente y comienza a cargarse.

### Nota:

- Limpie periódicamente los contactos de carga de la base de carga y del robot.
- El robot no podrá encenderse si el nivel de batería no es suficiente, en este caso se encenderá automáticamente cuando lo coloque en la base de carga.
- El robot solo comenzará las tareas de limpieza cuando el nivel de la batería sea  $\geq 30\%$ .
- Mantenga conectada la base de carga.
- Si el robot no empieza a limpiar desde la base de carga, es posible que necesite más tiempo para acoplarse. Si no puede llegar a la base de carga, el robot volverá a la ubicación inicial una vez finalizado el ciclo de limpieza.

**6. Si la habitación que va a limpiar contiene una zona elevada (balcón, escaleras, etc.), debe utilizar una barrera física para impedir el acceso a esta zona y garantizar un funcionamiento seguro. Al mismo tiempo, es muy recomendable crear zonas prohibidas o líneas prohibidas para estas zonas en la aplicación.**



## 7. Descargue la aplicación para teléfonos móviles.

**Método 1:** Busque «360Robot» en Google Play o App Store y descargue la aplicación.

Q 360Robot



360Robot

**Método 2:** Escanee el código QR que aparece a continuación utilizando la cámara del teléfono móvil o cualquier aplicación de escaneo de códigos QR para descargar la aplicación 360 Robot.



## 8. Agregue su robot a la aplicación.

- Consulte las instrucciones de configuración de red en la caja para que la aplicación localice su robot.
- A continuación, siga las instrucciones de la aplicación paso a paso para vincular el robot a su cuenta.

### Nota:

- Consulte las instrucciones de funcionamiento en la sección «Mi-Mis servicios» en la aplicación y no dude en ponerse en contacto con nosotros si tiene alguna pregunta o comentario.

## Servicio posventa

### Contenido de la garantía

Nombre	Contenido de la garantía	Período
Robot	Robot (incluye la batería incorporada)	1 año
Accesorios	Base de carga, adaptador de corriente	1 año
Consumibles	Cepillo de rodillo, cepillo lateral, estructura del cepillo, filtro, herramienta de limpieza, depósito de polvo, depósito de agua, soporte de la fregona, almohadilla de fregona	/

Consulte la DoC de la UE (Declaración de conformidad) aquí:

<https://smart.360.com/certifications/robot/s10.html>

### Exclusiones y limitaciones

1. El producto se haya reparado sin permiso, se haya utilizado de forma incorrecta, se haya caído, no se haya cuidado como es debido, se ha mojado, se ha dañado en un accidente, se ha modificado o se utilizan accesorios no autorizados
2. El período de garantía ha finalizado.
3. Daños causados por fuerza mayor.
4. Defectos del producto y de los accesorios causados por el propietario o el usuario.

### Póngase en contacto con nosotros

Sitio oficial: [smart.360.com](https://smart.360.com)

Servicio de atención al cliente: [zh-service@360.cn](mailto:zh-service@360.cn)



@360smartlife

## Istruzioni di sicurezza

---

- **Prima dell'uso, si prega di leggere l'intero manuale di istruzioni di sicurezza e conservarlo per futura consultazione. Qualsiasi operazione non eseguita secondo questo manuale potrebbe causare gravi lesioni o danni.**

### • AVVERTENZE

- Questo prodotto può essere utilizzato e pulito dai bambini e da persone con ridotte capacità fisiche, sensoriali o mentali solo se sotto supervisione o dietro istruzioni relative all'uso dell'apparecchio in modo sicuro e dopo averne compreso i potenziali pericoli.
- Sorvegliare bambini piccoli e animali domestici quando il prodotto è in funzione.
- Utilizzare il prodotto esclusivamente con adattatore, cavo di alimentazione, spina, batteria e stazione di ricarica approvati. Con l'utilizzo di accessori non approvati il prodotto potrebbe surriscaldarsi, generare fumo, incendiarsi o esplodere.
- Non proseguire l'utilizzo del prodotto nel caso in cui il Robot o qualsiasi dei suoi accessori sia danneggiato. Per acquisti e sostituzioni contattare il Servizio Clienti 360. Lo smontaggio, la riparazione e la modifica del prodotto devono essere effettuate esclusivamente da tecnici designati o autorizzati da 360.
- Non collocare oggetti, bambini o animali domestici sopra al robot.
- Utilizzare e conservare il prodotto esclusivamente in ambienti interni e asciutti con temperatura tra gli 0°C e i 40°C.
- Scollegare sempre il Robot dalla stazione di ricarica prima di effettuare operazioni di pulizia o manutenzione.
- Non maneggiare il Robot e la stazione di ricarica con le mani bagnate e non strofinare il prodotto con panni bagnati.
- Non pulire il Robot e la stazione di ricarica con acqua corrente.
- Per garantire la sicurezza, non utilizzare il prodotto su aree rialzate (soppalchi, balconi aperti, superfici di mobili) prive di barriere fisiche.
- Posizionare la stazione di ricarica ad almeno 1,5 metri da scale, altri dislivelli e fonti di calore (es. termosifoni).
- Non mandare in corto circuito la batteria: evitare il contatto di oggetti metallici con i terminali della batteria, non immergere la batteria in un liquido. Non sottoporre le batterie a urti meccanici.
- Verificare regolarmente se la batteria presenta segni di danneggiamento o di perdita. Non caricare batterie danneggiate o che mostrano perdite, evitare che il liquido venga a contatto con la pelle o gli occhi. In caso di contatto, lavare l'area interessata con abbondante acqua e consultare un medico.

### • ATTENZIONE

- Questo prodotto è da utilizzare per la pulizia dei pavimenti in ambiente domestico. Non utilizzare in ambienti esterni (es. balconi aperti), commerciali, industriali o su superfici non pavimentali (es. divani).
- Prima dell'uso liberare il pavimento da corde di tapparelle o tende e cavi di alimentazione per evitare che ostacolino il prodotto.
- Rimuovere oggetti fragili (es. vasi) dal pavimento per evitare che il robot li danneggi.
- Tenere il piccolo strumento di pulizia fuori dalla portata dei bambini.

- Non avvicinare i capelli, le dita o altre parti del corpo alla bocchetta di aspirazione mentre il robot è in funzione.
- Non utilizzare questo prodotto per raccogliere oggetti appuntiti (es. cocci, vetro, chiodi).
- Non utilizzare questo prodotto per raccogliere oggetti in fiamme o roventi (es. mozziconi di sigaretta accesi).

#### • **NOTA BENE**

- Non utilizzare il prodotto in stanze in cui stanno dormendo neonati o bambini piccoli.
- Il prodotto potrebbe non pulire completamente i tappeti o le moquette a pelo lungo, e alcuni tipi di tappeti o moquette spessi e di colore scuro.
- Non utilizzare il paraurti o lo sportello superiore per portare il robot.
- Non utilizzare la funzione lavapavimenti su tappeti, moquette e superfici di mobili.
- L'utilizzo del Robot in ambienti con luce solare diretta o oggetti altamente riflettenti potrebbe influire sulla sua azione pulente.
- Eventuali tracce o residui d'acqua nel serbatoio e nei canali d'uscita, presenti al momento del disimballaggio, sono dovuti ai test del serbatoio eseguiti in fabbrica prima della spedizione e sono da considerarsi una normale evenienza. Non ci saranno effetti sull'utilizzo del prodotto.
- Nel caso fosse necessario trasportare il prodotto, assicurarsi che il Robot sia spento. Raccomandiamo di utilizzare la confezione e l'imballaggio originali per il trasporto.
- Se non si intende utilizzare il prodotto per lunghi periodi, spegnere il Robot dopo una carica completa e riporre il prodotto in un luogo fresco e asciutto. Caricare il Robot almeno una volta ogni tre mesi per evitare la scarica eccessiva della batteria.
- Se si vive in un'area soggetta a temporali, si consiglia di utilizzare una protezione da sovracorrente aggiuntiva. La stazione di ricarica può essere protetta con una protezione da sovracorrente in caso di forti temporali.
- Si prega di utilizzare il prodotto secondo le istruzioni di questo manuale. Le responsabilità di qualsiasi danno o lesione causata da un uso improprio del prodotto saranno esclusivamente a carico dell'utente.

#### • **RICICLO E SMALTIMENTO**

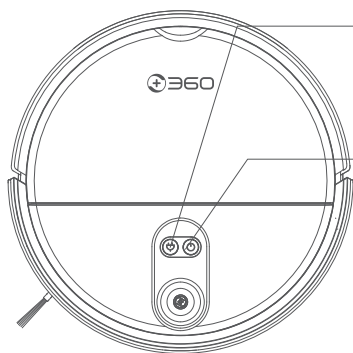
- Scollegare il prodotto dalla stazione di ricarica, spegnerlo e rimuovere la batteria prima dello smaltimento.
- Collocare la batteria all'interno di un sacchetto di plastica sigillato e riciclarla o smaltirla in modo sicuro secondo le normative ambientali locali.
- È severamente vietato bruciare il prodotto, anche nel caso in cui sia gravemente danneggiato.

### **Informazioni sui sensori laser:**

- Tutti i sensori laser sono conformi agli standard di Classe 1 della Classificazione IEC60825 e non producono radiazioni laser pericolose.
- Standard di esecuzione: IEC60335.

## Panoramica del prodotto

### Robot



#### Pulsante di carica

- Pressione breve per ricaricare/mettere in pausa la ricarica.
- Pressione prolungata per attivare pulizia spot.



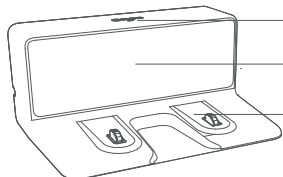
#### CLEAN/pulsante di accensione

- Pressione breve per attivare/mettere in pausa/riattivare pulizia.
- Tenere premuto per 3 secondi per accendere/spegnere.
- Tenere premuto per 15 secondi per forzare lo spegnimento.

#### Nota:

Una volta acceso il Robot, tenere premuti entrambi i pulsanti per 3 secondi per resettare il collegamento Wi-Fi.

### Stazione di ricarica



- Indicatore di carica
- Emittitore di segnale
- Contatti di ricarica

### Robot

Dimensioni	350 x 350 x 85 mm 13.78 x 13.78 x 3.35 pollici
Peso del prodotto	3.85 kg 8.48 lbs
Capacità batteria	5000 mAh, 72 Wh
Tensione nominale	14.52V
Potenza nominale	30W

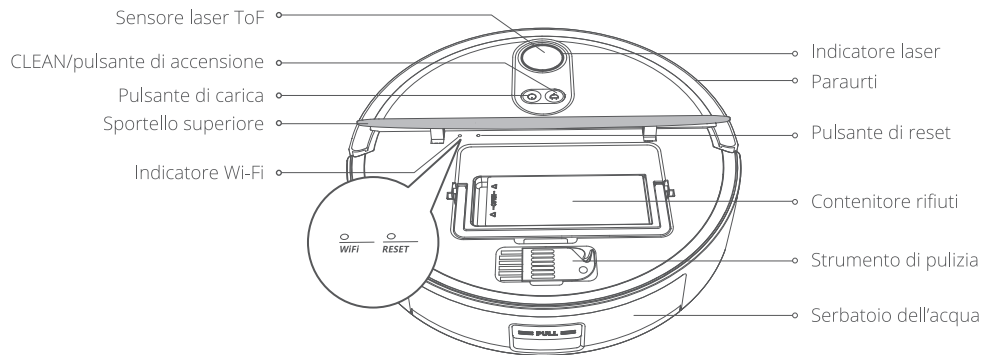
### Stazione di ricarica

Dimensioni	220 x 153 x 100 mm 8.66 x 6.02 x 3.94 inches
Potenza nominale	24W
Potenza nominale di uscita	24W

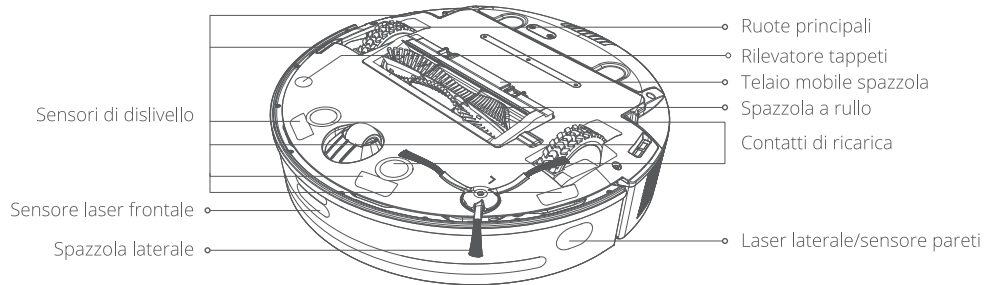
### Contenuto della confezione

Unità principale, stazione di ricarica, alimentatore e cavo, serbatoio dell'acqua, supporto panno, panno, manuale d'istruzioni, piccolo strumento di pulizia

## Vista dall'alto



## Vista dal basso

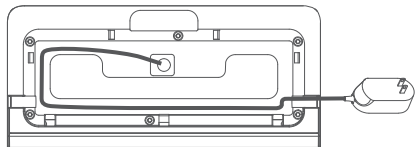


## Istruzioni per l'installazione

### 1. Collegare l'alimentatore alla stazione di ricarica.

#### Nota:

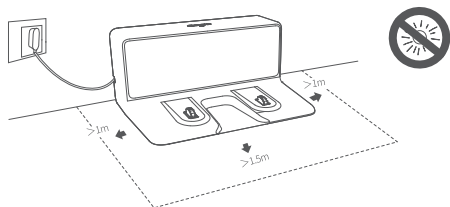
- Riporre il cavo in eccesso nel vano dietro alla stazione di ricarica per evitare che venga tirato dal robot durante la pulizia.
- L'indicatore della stazione di ricarica è fisso quando la stazione è collegata alla corrente e si spegne quando il robot è in carica.



### 2. Posizionare la stazione di ricarica in orizzontale sul pavimento, poi attaccare la spina ad una presa di corrente.

#### Nota:

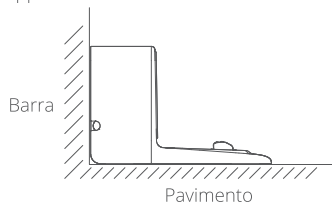
- Lasciare 1 metro su entrambi i lati e 1,5 metri davanti alla stazione di ricarica e assicurarsi che non ci siano oggetti o luci forti in questa area.
- Verificare che la stazione di ricarica si trovi ad almeno 1,5 metri da scale, altri dislivelli e fonti di calore (es. termosifoni).



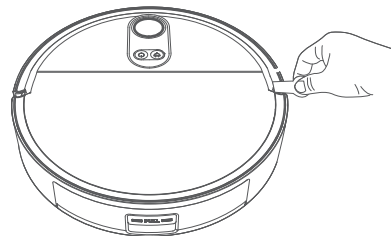
3. Per assicurarsi che il Robot possa pulire e ricaricarsi facilmente, non spostare frequentemente la stazione di ricarica e non posizionarla su tappeti. Se la stazione di ricarica viene spostata il Robot potrebbe non riuscire ad auto-localizzarsi o a rimuovere la mappa salvata. Una nuova mappa verrà creata durante la pulizia successiva.

#### Nota:



- I dettagli della mappa precedente (le zone no-go, i nomi delle stanze, etc.) potrebbero andare persi con la costruzione della nuova mappa.



4. Posizionare il Robot sul pavimento e rimuovere entrambe le strisce protettive dietro al paraurti.



## 5. Accensione e carica.

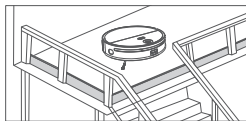
**Metodo 1:** Tenere premuto il pulsante  finché non si illumina e posizionare il Robot a un metro dalla stazione di ricarica. Premere il pulsante , il Robot cercherà automaticamente la stazione di ricarica e andrà a caricarsi.

**Metodo 2:** Posizionare il Robot sulla stazione di ricarica e far combaciare i contatti di ricarica. L'indicatore della stazione di ricarica si spegnerà, il robot si accenderà automaticamente e inizierà a caricarsi.

### Nota:

- Pulire regolarmente i contatti di ricarica della stazione di ricarica e del robot.
- Il Robot non può essere acceso quando la carica è insufficiente e si accende automaticamente quando posizionato sulla stazione di ricarica.
- Il Robot comincia a pulire solo quando il livello di carica è uguale o maggiore al 30%.
- Tenere la stazione di ricarica collegata alla corrente.
- Se il Robot non comincia a pulire dalla stazione di ricarica, potrebbe impiegare più tempo a raggiungerla. Se non è possibile raggiungere la stazione di ricarica, dopo la pulizia il Robot tornerà al punto di partenza.

**6. Se la stanza da pulire ha un'area aperta o un dislivello (es. balconi, scale), utilizzare barriere fisiche per impedire l'accesso a queste aree e garantire la sicurezza. Nel frattempo è consigliato creare delle zone no-go o linee no-go sulla App per queste aree.**



## 7. Scaricare l'App per cellulare

**Metodo 1:** Cercare e scaricare l'App "360Robot" su Google Play o App Store.

Q 360Robot



360Robot

**Metodo 2:** Scansionare il codice QR qui sotto, usando la fotocamera del cellulare o qualsiasi App di QR code scanner, per scaricare l'App 360Robot.



## 8. Aggiungere il proprio Robot sull'App

- Per far individuare il Robot all'App fare riferimento alle istruzioni di configurazione di rete presenti nella confezione.
- Seguire le istruzioni passo per passo sull'App per collegare il Robot al proprio account.

### Nota:

- Consultare ulteriori istruzioni nella sezione "My - My Service" dell'App, e non esitare a contattarci per qualsiasi domanda o osservazione.

## Servizio post-vendita

### Garanzia

Nome	Garanzia	Periodo
Robot	Robot (batteria incorporata inclusa)	1 anno
Accessori	Stazione di ricarica, alimentatore	1 anno
Consumabili	Rullo della spazzola, spazzola laterale, telaio spazzola, filtro, strumento di pulizia, contenitore rifiuti, serbatoio dell'acqua, supporto panno, panno	/

### Esclusioni e Limitazioni

1. Il prodotto è stato riparato senza autorizzazione, usato erroneamente, urtato, trascurato, usato in modo improprio, si è bagnato, accidentalmente danneggiato, modificato, utilizzato con accessori non approvati
2. Scadenza del periodo di garanzia.
3. Danni per causa i forza maggiore.
4. Difetti del prodotto e degli accessori causati dal proprietario o utente.

### Contattaci

Sito Ufficiale: [smart.360.com](http://smart.360.com)

Servizio clienti: [zh-service@360.cn](mailto:zh-service@360.cn)



@360smartlife

### Vedere la DoC (Dichiarazione di conformità) dell'UE qui:

<https://smart.360.com/certifications/robot/s10.html>

## 안전을 위한 주의 사항

- 본 제품은 가정용 로봇청소기로 실외나 공장에서의 사용에는 적합하지 않습니다.
- 보호 난간이 없는 장소(야외로 개방된 베란다, 난간이 없는 복층, 가구 상부 등)에서 사용하지 마세요
- 0°C 이하, 40°C 이상의 환경에서는 사용하지 마세요. 고장의 원인이 될 수 있습니다.
- 로봇청소기가 바닥의 케이블(충전 케이블, 멀티탭 케이블 등)을 끌고 다닐 수 있으니, 사용 전에 바닥의 케이블을 정리해 주세요.
- 청소 전, 바닥의 물건(장난감, 쉽게 깨지는 물건, 종이 등)은 잠시 치워주세요. 로봇청소기의 경로를 방해하거나 파손될 위험이 있습니다.
- 어린이가 장난감으로 사용하지 않도록 주의해 주세요.
- 로봇청소기 작동 중에는 안전을 위해 로봇청소기로부터 아이와 반려 동물이 최대한 멀리 있도록 해주세요.
- 젖은 수건 또는 액체를 사용하여 제품을 세척하지 않도록 주의해 주세요.
- 화재의 원인이 될 수 있는 물체(불씨가 꺼지지 않은 담배꽂초 등)를 청소하는 용도로 사용하지 마세요.
- 털이 긴 카펫에서 사용하지 않도록 주의해 주세요. 오작동의 원인이 될 수 있습니다.
- 카펫 위나 가구 위에서는 물걸레 청소 기능을 사용하지 마세요.
- 로봇청소기에 물통이 장착된 상태에서 뒤집지 마시고, 청소가 끝난 후에는 물통의 물을 비워주세요.
- 충전 도크 및 기기를 직사광선 아래에 놓지 말아 주세요.
- 액체 또는 끈적이는 물체가 있는 바닥에서는 사용하지 마세요.
- 로봇청소기와 충전기를 청소하거나 관리를 위해 구성품을 탈부착할 때에는 감전을 막기 위해, 전원에 연결되어 있지 않은 상태에서 진행해 주세요.
- 제품 구입 시에 물통 및 배출구에 물방울이나 물자국이 남아 있을 수 있으나, 이는 공장 출하 전 시험으로 인한 흔적으로 정상이며, 제품 사용에 어떠한 영향도 미치지 않습니다.
- 로봇청소기 보호 덮개 혹은 충돌 범퍼를 손잡이처럼 이용하지 마세요.
- 날카롭고 뾰족한 물체(칼날, 실핀, 유리, 못, 나사 등)를 흡입하지 않도록 주의해 주세요.
- 반드시 본 사용설명서에 따라 사용하여야 하며, 부적절한 사용으로 발생한 제품 불량 및 파손, 상해 사고는 당사에서 책임지지 않습니다.

## 배터리 및 충전

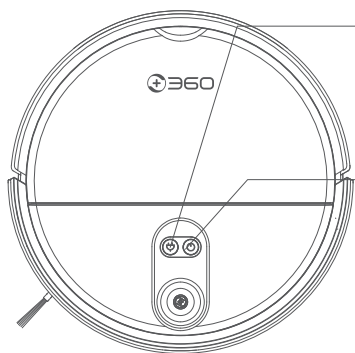
- 반드시 정품 배터리와 정품 충전 도크 및 전원 어댑터를 사용하여야 합니다.
- 제품 및 배터리와 충전 도크, 전원 어댑터를 임의로 분해, 수리 및 개조하지 마세요.
- 충전 도크를 발열 기구(난로, 온풍기 등) 가까이에 설치하지 마세요.
- 감전의 위험이 있으므로 젖은 손이나 젖은 수건으로 기기와 충전기의 충전 단자를 닦지 마세요.
- 다 쓴 배터리는 임의로 폐기하지 마시고 반드시 전문 회수 업체를 통해 처리하세요.
- 케이블의 피복이 벗겨지거나 절단된 경우, 즉시 사용을 중단하고 새로 구매하여 사용하세요.
- 제품 중량 및 구조의 특성 상, 이동 중 파손 가능성이 매우 높으므로 제품의 전원을 끄고 원래의 포장 박스에 포장하여 운반하시는 것을 권장합니다.
- 로봇청소기를 장기간 사용하지 않을 경우, 배터리를 완전히 충전한 후 전원을 끈 상태로 서늘하고 건조한 곳에 보관하세요. 배터리가 과방전되지 않도록 3개월에 1회 주기로 재충전하세요.

## 레이저 기기 안전 정보

- 본 제품에 탑재된 레이저 센서는 레이저 제품의 안정성을 규정하는 IEC60825 class 1 규격에 맞춰 생산된 제품으로 인체에 무해합니다.
- 시행 기준 : IEC60335

## 제품 외관

### 본체



#### 충전 버튼

- 버튼을 누르면 충전을 위해 충전 도크로 복귀하거나 복귀를 중지합니다.
- 길게 누르면 구역 청소를 시작합니다.



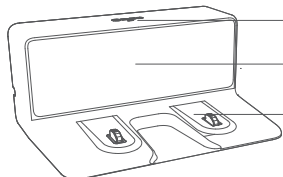
#### 청소/전원 버튼

- 버튼을 누르면 청소를 시작하고, 청소 중에는 일시 정지 혹은 청소를 재시작합니다.
- 3초간 누르면 전원이 켜지거나 꺼집니다.
- 강제종료 하려면 15초간 길게 눌러주세요.

#### 주의:

전원이 켜진 상태에서, 두 버튼을 동시에 3초간 누르면 Wi-Fi가 초기화됩니다.

### 충전 도크



- 전원 표시등
- 신호 송수신부
- 충전 단자

### 본체

제품 크기	350 x 350 x 85 mm
제품 무게	3.85 kg
배터리 용량	5000 mAh, 72 Wh
정격 파워	14.52V
정격 파워	30W

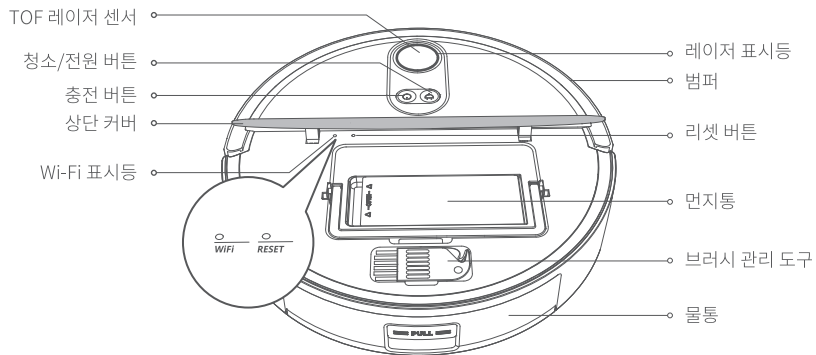
### 충전 도크

제품 크기	220 x 153 x 100 mm
정격 파워	24W
정격 출력	24W

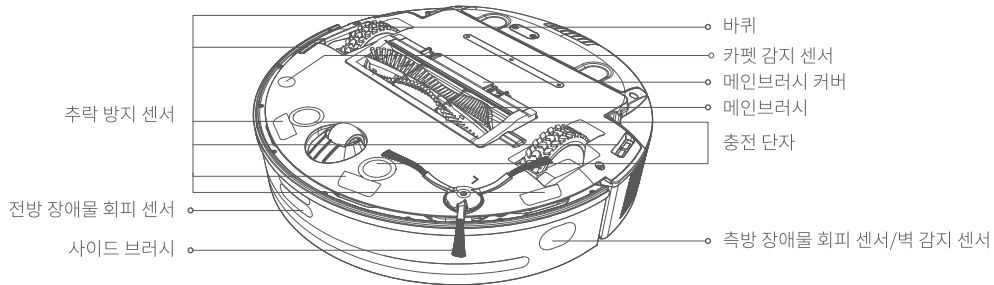
### 구성품

본체(물통, 먼지통 포함), 충전 도크, 전원 어댑터, 물걸레 모듈, 물걸레, 사용 설명서, 브러시 관리 도구

## 상부



## 하부

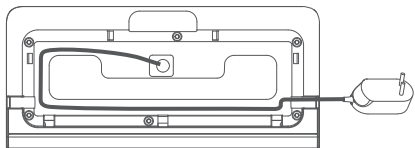


## 설치 방법

### 1. 전원 어댑터를 충전 도크와 연결합니다.

#### 참고:

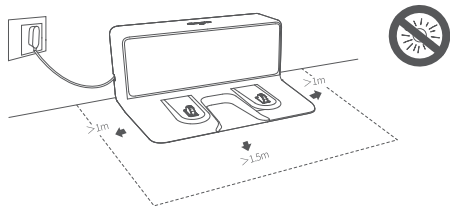
- 로봇청소기가 케이블을 당기지 못하도록 충전 도크 뒤쪽의 공간에 여분의 케이블을 잘 정리하여 집어 넣습니다.
- 충전 도크의 전원 표시등은 전원이 연결되어 있으면 켜지고, 로봇청소기가 충전 중일 때는 꺼집니다.



### 2. 충전 도크는 평평하고 단단한 바닥에 놓고 전원 어댑터와 연결합니다.

#### 참고:

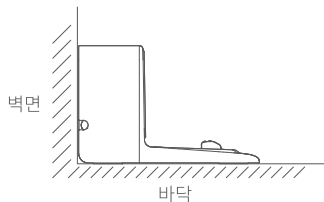
- 충전 도크는 양쪽 1미터, 전방 1.5m 이상의 공간을 확보하여 설치하고 강한 빛이 들지 않도록 해야 합니다.
- 충전 도크는 계단, 기타 개방된 구역 및 열원에서 1.5미터 이상 떨어진 곳에 설치합니다.



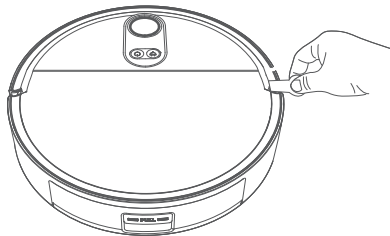
3. 충전 도크의 위치를 바꾸지 마세요. 위치가 바뀔 경우, 로봇청소기가 충전 도크를 찾지 못하거나 현재 지도가 삭제될 수 있습니다. 이 경우, 다음 청소 시에 새 지도를 생성하여 저장합니다.

#### 참고:

- 지도를 새로 생성하면, 기존에 설정된 금지구역 및 방 이름과 같은 지도 정보가 모두 사라집니다.



4. 로봇청소기 사용 전, 범퍼 뒤쪽에 있는 보호 필름을 제거합니다.



## 5. 전원 켜기 / 충전하기.

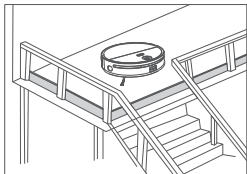
**방법 1:** 로봇청소기가 켜질 때까지 (⏻) 버튼을 길게 누른 후, 충전 도크로부터 1미터 이내에 로봇청소기를 내려둡니다. (⏻) 버튼을 누르면 로봇청소기가 자동으로 충전 도크를 찾아가 충전을 시작합니다.

**방법 2:** 로봇청소기를 충전 도크에 놓고 양쪽 충전 단자를 맞춥니다. 충전 도크의 전원 표시등이 꺼지며 충전이 시작됩니다. 충전이 진행되면 로봇청소기는 자동으로 켜집니다.

### 참고:

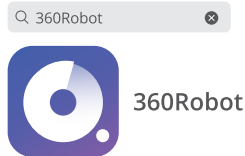
- 충전 도크와 로봇청소기의 충전 단자를 정기적으로 청소합니다.
- 배터리 잔량이 부족하면 로봇청소기를 켤 수 없으며, 충전 도크에 놓으면 자동으로 켜집니다.
- 배터리 잔량이 30% 이상인 경우에만 로봇청소기가 청소 작업을 시작합니다.
- 충전 도크에는 항상 전원이 공급되어야 합니다.
- 로봇청소기가 충전 도크에서 시작하여 청소하지 않으면, 청소 후 충전 도크를 찾는 데 시간이 더 걸릴 수 있습니다. 충전 도크를 찾을 수 없는 경우, 청소 후 로봇은 시작 지점으로 되돌아갑니다.

6. 벽이 없는 구역이나 로봇청소기가 떨어지기 쉬운 환경(발코니, 계단)에서 운행되는 경우에는, 난간과 같은 물리적인 장애물을 설치하여 안전하게 작동하도록 해 주세요.



## 7.APP 다운로드.

**방법 1:** Google Play 혹은 App Store에서 “360Robot”을 검색하세요.



**방법 2:** 아래의 QR코드를 스캔하여 360Robot 앱을 설치하세요.



## 8.앱에 로봇청소기 추가하기.

- 360Robot 앱의 안내에 따라 회원가입을 하고, 로봇청소기를 추가하여 연동합니다.

### 참고:

- 휴대폰 번호로 계정 가입 시, 반드시 국가 번호를 +82(South Korea)로 선택한 후, 휴대폰 번호의 첫번째 번호 ‘0’을 제외한 나머지 번호만 입력해야 합니다. (예: 010-1234-5678 (X) - +821012345678 (O))
- 설치 시에는 비밀번호가 설정된 2.4GHz Wi-Fi를 통한 연결만 지원합니다. 모바일 데이터 또는 5GHz의 Wi-Fi 네트워크를 통한 연결은 지원하지 않습니다.

## 주요사항 및 A/S

### 서비스 내용은 다음과 같습니다

#### 제품 보증 정책

1. 제품 및 내장 배터리의 품질보증기간은 구입일로부터 12개월입니다.  
(충전 도크 및 전원 어댑터는 6개월이나, 소모품 및 액세서리는 3개월입니다.)
2. 구매 후 7일 이내 단순변심으로 인한 반품이 가능합니다. 단, 미 개봉 상태 혹은 제품 확인을 위해 제품 포장만 개봉한 경우에 한하며, 제품의 사용 및 훼손, 재화 멸실의 경우 반품이 불가 합니다.
3. 구매 후 10일 이내 기능 고장이 발생했을 경우, AS센터 점검 후 불량으로 판정된 경우에 한하여 교환 혹은 반품이 가능합니다.

#### 보증 제외 및 제한 사항

1. 소비자 과실로 인하여 제품 고장이 발생한 경우.
2. 품질보증기간이 지난 제품에서 고장 발생 시.
3. 사용 설명서 상 안전을 위한 주의사항을 지키지 않아 제품 고장 및 손상 발생 시.
4. 당사에서 공급한 정품 SW가 아닌 개조 및 변경한 SW (APP 포함) 탑재로 인한 고장 및 오류 발생 시.
5. 소프트웨어 (OS 및 응용프로그램) 설치로 인한 제품 고장 및 오류 발생 시.
6. 인터넷, 안테나, 유선 신호 등 제품이 아닌 외부 환경 문제인 경우.
7. 소비자의 취급 부주의 (침수, 낙하, 충격, 파손, 손상 등)에 의한 고장 발생 시.
8. 소비자 임의로 제품을 분해, 수리 및 개조하여 고장 발생 시.
9. 당사에서 지정하는 서비스센터 전문 엔지니어가 아닌 사람이 수리하여 고장 발생 시.
10. 당사에서 제공하지 않은 구성품 또는 액세서리 사용으로 인한 고장 발생 시.
11. 천재지변 (화재, 수해, 염해, 지진, 낙뢰 등)에 의한 제품 손상.

12. 소모성 부품의 수명이 다한 경우.
13. 제품 사용 중 발생하는 정상적인 마모 및 탈색의 경우.
14. 가정용이 아닌 상업/공업 용도로 사용하거나 제품 사용 빈도가 잦은 공공장소에서 설치 및 사용한 경우.

### 품질보증 내용

분류	보증 내용	기간
로봇청소기	로봇청소기 본체 / 배터리	1년
충전기	충전 도크, 전원 어댑터	6개월
소모품 및 액세서리	메인 브러시, 사이드 브러시, 필터, 먼지통, 물통, 물걸레 받침대, 물걸레	3개월

주의: 기기에 포함되어 있는 소모품은 보증하지 않습니다.

### 문의처

제조사: Beijing One More Hour Technology Co., Ltd  
수입자: (주)오정테크  
수입자 주소: 경기도 군포시 엘에스로 13, 207호  
판매자: 티크웨어 (주)  
웹사이트: mall.inavi.com  
고객센터: 1577-8911



@360smartlife

## 安全に関する情報

●ご使用まえに、安全に関する指示をすべて読み、今後の参照のため本マニュアルを保管しておいてください。本マニュアルに従って操作しない場合、重大な怪我や損傷が発生する恐れがあります。

### ●警告

- 本製品は、機器の安全な使用について監督および指示があり、関連する危険性について理解している場合のみ、お子様や身体的、感覚的または精神的な能力に制限のある方にもご利用いただけます。
- 小さなお子様やペットは、ロボットの動作中に監督が必要です。
- 本製品と一緒に使用できるのは認定されたアダプター、電源コード、プラグ、バッテリーおよびチャージドックのみです。認定されていない付属品を使用すると、熱、煙、火災の発生または爆発の危険があります。
- ロボットまたは付属品に損傷がある場合は、すぐに製品の使用を中止してください。360カスタマーサービスに連絡し、購入または交換してください。360により指定または認定された修理担当者以外が本製品の解体、修理または修正を行うことはできません。
- いかなる場合もロボットの上に物（子供やペットを含む）を置かないでください。
- 本製品は、室内の乾燥した場所で、室温が0°C～40°Cの範囲でのみ使用および保管してください。
- 掃除および保守を行うまえに、ロボットを必ずチャージドックから接続解除してください。
- ロボットまたはチャージドックを濡れた手で触らないでください。また濡れた布で拭かないでください。
- ロボットまたはチャージドックを流水で洗わないでください。
- 安全に操作するため、本製品は物理的な障壁のない吊り下げエリア（2階のロフト、オープンバルコニー、家具の上など）では使用しないでください。
- チャージドックは階段、その他のオープンエリア、および熱源（ヒーターなど）から1.5メートル以上離れた場所に配置してください。
- 金属体がバッテリー端子に接触したり、または液体に浸ることにより、バッテリーが短絡を起こさないようにしてください。バッテリーを機械的ショックに曝さないようにしてください。
- バッテリーセルに損傷や漏出の兆候がないか、定期的に点検してください。バッテリーセルに損傷や漏出がある場合は、充電は行わず、液体が皮膚や目に接触しないようにしてください。接触した場合は大量の水で患部を洗浄し、医師に相談してください。

### ●注意

- 本製品は家庭環境における床の清掃に使用します。屋外（オープンバルコニーなど）、非接地面（ソファなど）、商業または産業環境では使用しないでください。
- ご使用まえに、ブラインドまたはカーテンのコード、電源コードを引っ張り、製品の障害にならないようにしてください。
- 壊れやすい物（花瓶など）を床から取り除き、ロボットにより貴重品が破損しないようにしてください。
- 小型メンテナンスツールはお子様の手が届かない場所に置いてください。
- ロボットの動作中、ゴミ吸引部には髪の毛、指、またはその他の身体の一部を近づけないでください。

- 本製品で鋭利な物体 (装飾の破片、ガラス、および鉄くぎなど) を掃除しないでください。
- 本製品で燃焼中または発煙中の物体 (消火されていないタバコの吸い殻など) を掃除しないでください。

#### • 注記

- 本製品は、乳児や小さなお子様が就寝中の部屋では使用しないでください。
- 毛足の長いカーペットや一部の色の濃いカーペットは正しく掃除できない場合があります。
- ロボットを持ち運ぶとき、バンパーまたはトップカバーをハンドルとして使用しないでください。
- モップ機能をカーペットまたは家具の上で使用しないでください。
- ロボットを直射日光または強力な反射体のある環境で使用すると、掃除の效果に影響する場合があります。
- 開梱後、製品の水タンクユニットまたは水アウトレットに水のシミや水滴の跡が見つかる場合がありますが、これは出荷前に工場で行われた特殊な水タンクユニットの試験によるものであり、問題ありません。これが製品の使用に影響することはありません。
- 本製品を輸送する必要がある場合、ロボットの電源がオフになっていることを確認してください。輸送時にはオリジナルの梱包品を使用することをお勧めします。
- 本製品を長期間使用しない場合は、完全に充電した後でロボットの電源を切り、涼しく乾燥した場所に保管してください。ロボットは少なくとも3か月に1度充電し、バッテリーの過放電を回避してください。
- 激しい雷雨の発生するエリアにお住まいの場合、サージ保護の追加をお勧めします。激しい雷雨の発生時にチャージステーションをサージ保護装置で保護することができます。
- 本製品は本マニュアルに従って使用してください。誤った使用によって発生した損失や怪我は、すべてユーザーの責任となります。

#### • リサイクルと廃棄

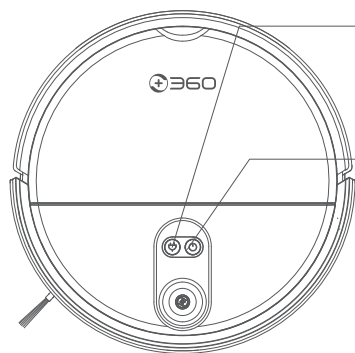
- 本製品をリサイクルまたは廃棄する場合は、チャージドックから外し、電源をオフにして、バッテリーを取り外します。
- バッテリーは密封されたビニール袋に入れ、地域の環境規制に従って安全にリサイクルまたは廃棄してください。
- 製品に深刻な損傷がある場合でも、本製品を燃焼廃棄することは厳格に禁止されています。

#### レーザーに関する情報:

- すべてのレーザーセンサーはクラス1レーザー製品基準IEC60825を満たしており、危険なレーザー照射を発生しません。
- 実行基準: IEC60335。

## 製品の概要

### ロボット



#### 充電ボタン

- 短押しすると再充電または再充電を一時停止します。
- 長押しするとスポットクリーニングが開始されます。



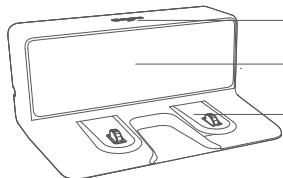
#### Powerボタン

- 短押しするとクリーニングを一時停止/再開します。
- 3秒間長押しすると電源をオン/オフします。
- 15秒間長押しすると強制終了します。

#### 注：

ロボットの電源をオンにしたあと、両方のボタンを3秒間長押しすると、Wi-Fiがリセットされます。

### チャージドック



・パワーインジケータ

・信号反射エリア

・充電接点

### ロボット

寸法	350 x 350 x 85 mm 13.78 x 13.78 x 3.35 インチ
製品重量	3.85 kg 8.48 lbs
バッテリー容量	5000 mAh, 72 Wh
定格電圧	14.52V
電力	30W

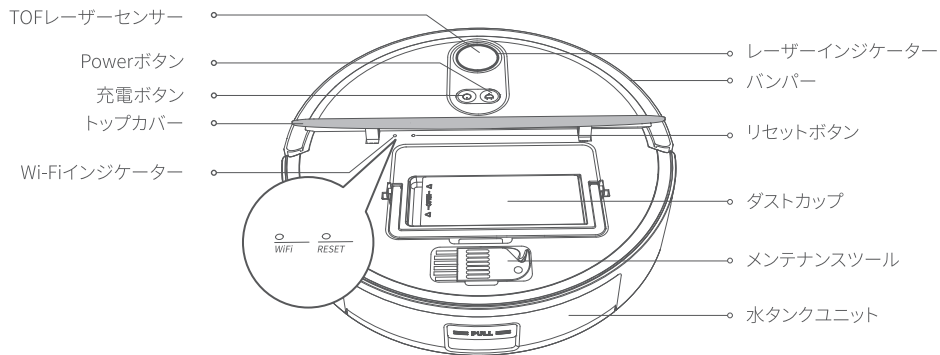
### チャージドック

寸法	220 x 153 x 100 mm 8.66 x 6.02 x 3.94 インチ
電力	24W
定格出力	24W

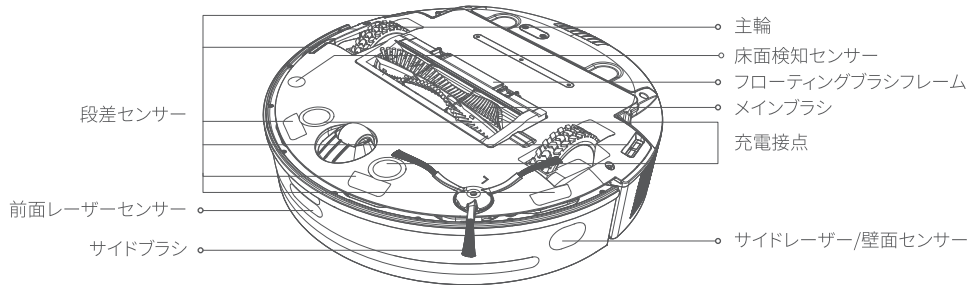
### 梱包内容

メインユニット、チャージドック、ACアダプターおよびプラグ、水タンクユニット、モップ取付ブラケット、モップ、ユーザーマニュアル、小型メンテナンスツール

## 上面図



## 底面図

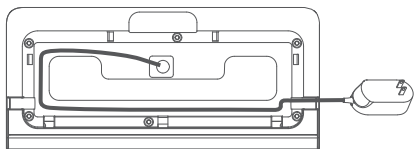


## 設置に関する指示

### 1.ACアダプターをチャージドックに接続します。

#### 注:

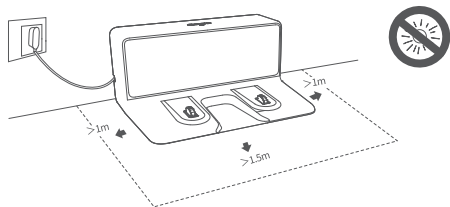
- 予備のケーブルをチャージドックの背面スロットに挿入し、掃除中にロボットによってケーブルが引き伸ばされないようにしてください。
- チャージドックインジケータは電源がオンのときが点灯し、ロボットの充電中はオフになります。



### 2.チャージドックは水平で硬い床の上に配置し、電源に接続します。

#### 注:

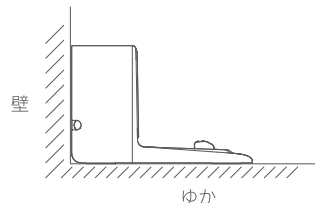
- チャージドックの両側は1メートル、前面は1.5メートル離し、このエリア内には障害物や強力なライトが存在しないようにしてください。
- ドックは階段、その他のオープンエリア、および熱源（ヒーターなど）から1.5メートル以上離れた場所に配置してください。



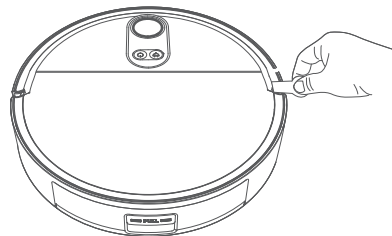
3.ロボットが掃除および再充電できるよう、チャージドックはカーペットの上には置かず、また頻繁に移動しないでください。チャージドックを移動すると、ロボットが自身の位置設定を誤ったり、現在のマップを削除してしまう場合があります。この場合、ロボットは次の掃除中に新しいマップを作成して保存します。

#### 注:

- 再構築すると、マップ情報（進入禁止エリア、部屋名など）が失われる場合があります。



4.ロボットを床に置き、バンパーの背後にある保護ストリップをどちらも剥がします。



## 5.電源を入れて充電します。

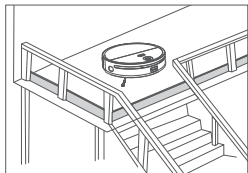
**方法1:** 点灯するまで (🔆) ボタンを押し、ロボットをチャージドックの1メートル以内に置きます。(🔆) ボタンを押すと、ロボットは自動的にチャージドックを探し、充電しに行きます。

**方法2:** ロボットをチャージドックに置き、充電接点に合わせます。チャージドックのパワーインジケータがオフになると、ロボットの電源が自動的にオンになり充電を開始します。

### 注:

- チャージドックおよびロボットの充電接点を定期的に掃除してください
- バッテリー残量が不十分な場合、ロボットの電源を入れることができません。チャージドックに置くとも自動的にオンになります。
- ロボットはバッテリー残量が30%以上のときのみ掃除を開始します。
- チャージドックの電源は常に維持してください。
- ロボットがチャージドックから掃除を開始しない場合、ドックでさらに時間が必要な場合があります。チャージドックに到達できない場合、ロボットは掃除後に開始位置に戻ります。

6.掃除する部屋に吊り下げエリア(バルコニー、階段など)がある場合、物理的な障壁を使用してこのエリアへのアクセスを防止し、安全な操作を行ってください。または、これらのエリアに対してアプリで進入禁止エリアまたは進入禁止ラインを作成することを強くお勧めします。



## 7.モバイルアプリをダウンロードしてください

**方法1:** Google PlayまたはApp Storeで「360Robot」を検索してダウンロードします。

Q 360Robot



360Robot

**方法2:** 携帯電話のカメラまたはQRコードスキャナーアプリを使用して以下のQRコードをスキャンし、360 Robot Appをダウンロードします。



## 8.ロボットをアプリに追加します。

- 同梱のネットワーク構成に関する指示書を参照し、アプリがロボットを見つけられるようにしてください。
- 次にアプリの指示にステップごとに従い、ロボットとお客様のアカウントをリンクさせます。

### 注:

- 詳しい操作については、アプリの「マイ-マイサービス」を確認してください。また、ご質問やご意見については、当社までご連絡ください。

## アフターセールスサービス

### 保証の内容

名前	保証の内容	期間
ロボット	ロボット (内蔵バッテリーを含む)	1年
付属品	チャージドック、ACアダプター	1年
消耗品	メインブラシ、サイドブラシ、ブラシフレーム、フィルター、メンテナンスツール、ダストカップ、水タンクユニット、モップ取付ブラケット、モップ	/

### 除外および制限

- 1.本製品に対する許可のない修理、不正使用、衝突、放置、誤使用、水浸または事故による破損、改造、認定されていない付属品の使用。
- 2.保証期限切れ。
- 3.不可抗力による破損
- 4.所有者またはユーザーによって生じた製品および付属品の欠陥。

### ご連絡先

公式Webサイト: [smart.360.com](http://smart.360.com)

カスタマーサービス: [zh-service@360.cn](mailto:zh-service@360.cn)



@360smartlife

## Informacje dotyczące bezpieczeństwa

- **Przed użyciem produktu należy przeczytać całą instrukcję bezpieczeństwa i zachować ją do wykorzystania w przyszłości. Wszelkie operacje wykonywane niezgodnie z instrukcją mogą spowodować poważne obrażenia ciała lub uszkodzenia.**
- **OSTRZEŻENIE**
- Ten produkt może być używany i czyszczony przez dzieci lub osoby o ograniczonych zdolnościach fizycznych, sensorycznych lub umysłowych tylko wtedy, gdy otrzymały one nadzór lub instrukcję dotyczącą bezpiecznego korzystania z urządzenia i rozumieją związane z tym zagrożenia.
- Małe dzieci i zwierzęta domowe powinny być nadzorowane podczas pracy robota.
- Ten produkt może być używany tylko z autoryzowanym adapterem, przewodem zasilającym, wtyczką, baterią i stacją dokującą do ładowania. Użycie jakichkolwiek nieautoryzowanych akcesoriów może spowodować wydzielanie ciepła, dymu, zapalenie się lub eksplozję produktu.
- Zaprzestać używania produktu, jeśli robot lub jakiekolwiek akcesoria są uszkodzone. Prosimy o kontakt z Działem Obsługi Klienta 360 w celu zakupu lub wymiany. Z wyjątkiem techników napraw wyznaczonych lub autoryzowanych przez firmę 360, nikt nie powinien demontować, naprawiać ani modyfikować tego produktu.
- Nie należy umieszczać na robocie żadnych przedmiotów (w tym dzieci i zwierząt domowych).
- Produkt należy używać i przechowywać wyłącznie w suchych pomieszczeniach o temperaturze od 0°C/32°F do 40°C/104°F.
- Przed przystąpieniem do czyszczenia lub konserwacji robota należy zawsze odłączyć go od stacji dokującej.
- Nie należy obsługiwać robota lub stacji dokującej do ładowania mokrymi rękami ani przecierać produktu mokrą ściereczką.
- Nie należy myć robota ani stacji dokującej pod bieżącą wodą.
- Aby zapewnić bezpieczną pracę, nie należy używać produktu w obszarze zawieszonym (takim jak strych na drugim piętrze, otwarty balkon, szczyty mebli) bez fizycznej bariery.
- Upewnij się, że stacja dokująca do ładowania jest umieszczona w odległości co najmniej 1,5 metra od schodów, innych otwartych przestrzeni i źródeł ciepła (takich jak grzejniki).
- Nie wolno dopuścić do zwarcia akumulatora poprzez kontakt metalowych przedmiotów z jego biegunami lub zanurzenie w cieczy. Nie należy narażać baterii na wstrząsy mechaniczne.
- Należy okresowo sprawdzać, czy na akumulatorze nie ma śladów uszkodzeń lub wycieków. Nie ładować uszkodzonych lub przeciekających akumulatorów, nie dopuścić do kontaktu płynu ze skórą lub oczami. Jeśli doszło do kontaktu z substancją, przemyć dotknięte miejsce dużą ilością wody i zasięgnąć porady lekarza.
- **UWAGA**
- Produkt ten służy do mycia podłóg w warunkach domowych. Nie należy go używać na zewnątrz (np. na otwartym balkonie), poza ziemią (np. na kanapie), w środowisku komercyjnym lub przemysłowym.
- Przed użyciem produktu należy pociągnąć za sznurki do żaluzji lub zasłon, za przewody zasilające, aby nie zasłaniały produktu.

- Usuń delikatne przedmioty (takie jak wazony) znajdujące się na podłodze, aby zapobiec uszkodzeniu cennych przedmiotów przez robota.
- Małe narzędzie czyszczące należy umieścić w miejscu niedostępnym dla dzieci.
- Nie należy dopuszczać włosów, palców ani innych części ciała w pobliże portu zasysania pyłu, gdy robot pracuje.
- Nie należy używać tego produktu do czyszczenia ostrych przedmiotów (takich jak resztki dekoracji, szkło i żelazne gwoździe).
- Nie należy używać tego produktu do czyszczenia płonących lub palących się przedmiotów (takich jak nieodróżnialne niedopałki papierosów).

#### • UWAGA

- Nie należy używać produktu w pomieszczeniu, w którym śpią niemowlęta lub małe dzieci.
- Dywany o wysokim runie i niektóre ciemne dywany mogą nie zostać prawidłowo wyczyszczone.
- Nie należy używać zderzaka lub górnej pokrywy jako uchwytów do przenoszenia robota.
- Nie należy używać funkcji mopowania na dywanach lub blatach mebli.
- Używanie robota w środowisku z bezpośrednim działaniem promieni słonecznych lub silnie odbijających światło obiektów może wpłynąć na efekt czyszczenia.
- Po rozpakowaniu mogą pojawić się plamy wody lub resztki kropel wody na zbiorniku na wodę lub wylotach wody, co wynika ze specjalistycznego testu zbiornika na wodę przeprowadzonego w fabryce przed dostawą i jest normalnym zjawiskiem. Nie ma to wpływu na użytkowanie produktu.
- Jeśli konieczne jest przetransportowanie tego produktu, należy upewnić się, że robot jest wyłączony. Zaleca się stosowanie oryginalnego opakowania do transportu.
- Jeśli nie będziesz używać tego produktu przez dłuższy czas, wyłącz robota po jego całkowitym naładowaniu i umieść go w chłodnym i suchym miejscu. Naładuj robota przynajmniej raz na trzy miesiące, aby uniknąć nadmiernego rozładowania baterii.
- Jeśli mieszkasz w obszarze podatnym na burze elektryczne, zaleca się stosowanie dodatkowej ochrony przeciwprzepięciowej. W przypadku silnych burz elektrycznych stacja ładowania może być chroniona za pomocą ochronnika przeciwprzepięciowego.
- Proszę używać tego produktu zgodnie z instrukcją obsługi. Odpowiedzialność za wszelkie straty lub obrażenia spowodowane niewłaściwym użytkowaniem ponosi wyłącznie użytkownik.

#### • RECYKLING I UTYLIZACJA

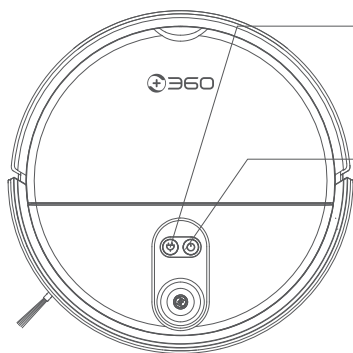
- Przed przystąpieniem do recyklingu lub utylizacji należy odłączyć produkt od stacji dokującej, wyłączyć go i wyjąć baterię.
- Umieść baterię w szczelnej plastikowej torbie i poddaj ją recyklingowi lub bezpiecznej utylizacji zgodnie z lokalnymi przepisami ochrony środowiska.
- Surowo zabrania się spalania produktu, nawet jeśli jest on poważnie uszkodzony.

#### Informacje o laserze:

- Wszystkie czujniki laserowe spełniają wymagania normy IEC60825 dla produktów laserowych klasy 1 i nie wytwarzają niebezpiecznego promieniowania laserowego.
- Standard wykonania: IEC60335.

## Przegląd produktu

### Robot



#### Przycisk ładowania

- Krótkie naciśnięcie powoduje ładowanie/ wstrzymanie ładowania.
- Naciśnij i przytrzymaj, aby rozpocząć czyszczenie punktowe.



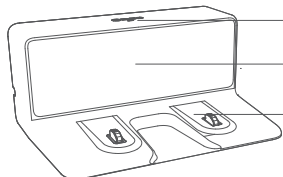
#### Przycisk CLEAN/przycisk zasilania

- Krótkie naciśnięcie uruchamia pauzę / wznowia czyszczenie.
- Naciśnij i przytrzymaj przez 3 sekundy, aby włączyć/wyłączyć.
- Naciśnij i przytrzymaj przez 15 sekund, aby wymusić wyłączenie.

#### Uwaga:

Po włączeniu robota naciśnij oba przyciski i przycisk hbold przez 3 sekundy, aby zresetować funkcję Wi-Fi.

### Stacja dokująca do ładowania



- Wskaźnik mocy
- Obszar emisji sygnałów
- Punkty kontaktowe ładowania

### Robot

Wymiary	350 x 350 x 85 mm 13.78 x 13.78 x 3.35 cala
Waga produktu	3.85 kg 8.48 funtów
Pojemność akumulatora	5000 mAh, 72 Wh
Napięcie znamionowe	14.52V
Moc znamionowa	30W

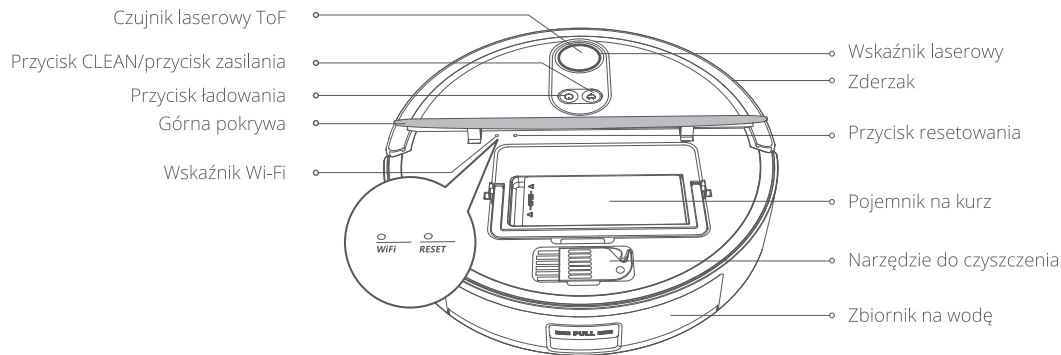
### Stacja dokująca do ładowania

Wymiary	220 x 153 x 100 mm 8.66 x 6.02 x 3.94 cala
Moc znamionowa	24W
Moc znamionowa	24W

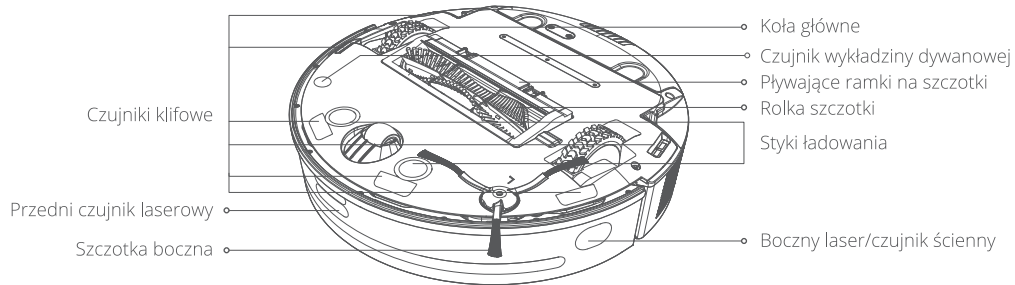
### Zawartość pudełka

Jednostka główna, stacja dokująca do ładowania, zasilacz i wtyczki, zbiornik na wodę, uchwyt mopa, nakładka na mopa, instrukcja obsługi, małe narzędzie czyszczące

## Widok z góry



## Widok z dołu

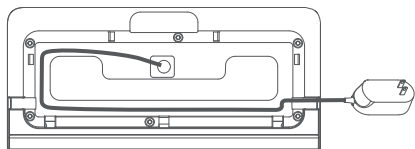


## Instrukcja montażu

### 1. Podłącz zasilacz do stacji dokującej do ładowania.

#### Uwaga:

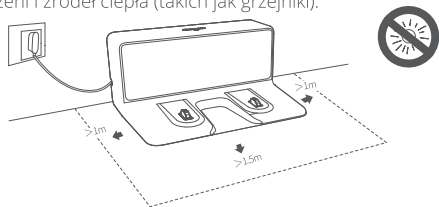
- Umieść dodatkowy kabel w szczelinie z tyłu stacji dokującej ładującej, aby zapobiec rozciągnięciu kabli przez robota podczas czyszczenia.
- Wskaźnik stacji dokującej ładującej świeci, gdy jest ona zasilana i jest wyłączony, gdy robot jest ładowany.



### 2. Umieść stację dokującą na poziomej, twardej podłodze i podłącz zasilanie.

#### Uwaga:

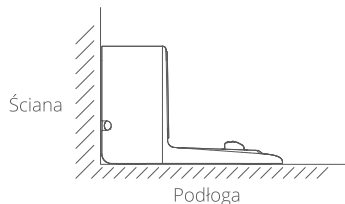
- Pozostaw 1 metr po obu stronach i 1,5 metra z przodu stacji dokującej do ładowania i upewnij się, że w tym obszarze nie ma żadnych przedmiotów ani silnego światła.
- Upewnij się, że stacja dokująca do ładowania jest umieszczona w odległości co najmniej 1,5 metra od schodów, innych otwartych przestrzeni i źródeł ciepła (takich jak grzejniki).



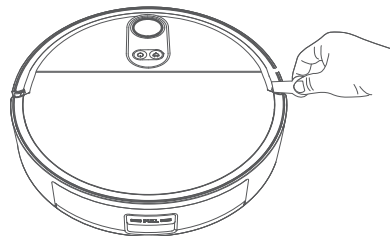
3. Aby zapewnić robotowi możliwość czyszczenia i ładowania, nie należy umieszczać stacji dokującej na dywanach ani często jej przesuwać. Jeśli stacja dokująca zostanie przesunięta, Robot może nie zlokalizować się lub usunąć bieżącą mapę. Podczas następnego czyszczenia zostanie utworzona i zapisana nowa mapa.

#### Uwaga:



- Informacje na mapie (strefy zakazu wstępu, nazwy pomieszczeń itp.) mogą zostać utracone po przebudowie.



4. Postawić robota na podłodze i zdjąć obie listwy ochronne za zderzakiem.



## 5. Włączanie zasilania i ładowanie.

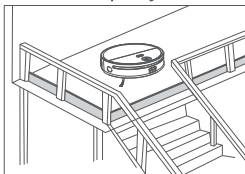
**Metoda 1:** Naciśnij i przytrzymaj  przycisk, aż się zaświeci, a następnie umieść robota w odległości do jednego metra od stacji dokującej do ładowania. Naciśnij przycisk , Robot automatycznie wyszuka stację dokującą i rozpocznie ładowanie.

**Metoda 2:** Umieścić robota w stacji dokującej i wyrównać styki ładowania. Wskaźnik zasilania na stacji dokującej wyłączy się, a robot automatycznie włączy się i rozpocznie ładowanie.

### Uwaga:

- Należy okresowo czyścić styki ładowania w stacji dokującej i w robocie.
- Robot nie może być włączony, gdy bateria jest niewystarczająca i włączy się automatycznie, gdy zostanie umieszczony w stacji dokującej do ładowania.
- Robot rozpocznie zadania czyszczenia tylko wtedy, gdy poziom naładowania baterii będzie  $\geq 30\%$ .
- Podtrzymać zasilanie stacji dokującej do ładowania.
- Jeśli robot nie rozpocznie czyszczenia od doku ładującego, może potrzebować więcej czasu na zadokowanie. Jeśli nie można osiągnąć stacji dokującej, robot powróci do lokalizacji startowej po zakończeniu czyszczenia.

**6. Jeżeli w czyszczonym pomieszczeniu znajduje się obszar zawieszony (balkon, schody, itp.), należy zastosować barierę fizyczną, aby uniemożliwić dostęp do tego obszaru i zapewnić bezpieczeństwo pracy.**



## 7. Pobierz aplikację na telefon komórkowy

**Metoda 1:** Wyszukaj "360Robot" w Google Play lub App Store i pobierz go.

Q 360Robot



360Robot

**Metoda 2:** Zeskanuj poniższy kod QR za pomocą kamery telefonu komórkowego lub dowolnego skanera kodów QR, aby pobrać aplikację 360 Robot App.



## 8. Dodaj swojego robota do aplikacji

- Proszę zapoznać się z instrukcją konfiguracji sieci w pudełku, aby aplikacja znalazła Twojego robota.
- Następnie postępuj zgodnie z instrukcjami w aplikacji krok po kroku, aby powiązać robota z Twoim kontem.

### Uwaga:

- Prosimy o zapoznanie się z dalszymi instrukcjami obsługi w zakładce "Moje -Moje usługi" w aplikacji oraz o kontakt z nami w przypadku jakichkolwiek pytań lub uwag.

## Serwis posprzedażowy

Zobacz deklarację zgodności (EU DoC) tutaj:

<https://smart.360.com/certifications/robot/s10.html>

### Treść gwarancji

Nazwa	Treść gwarancji	Okres
Robot	Robot (zawiera wbudowany akumulator)	1 rok
Akcesoria	Stacja dokująca do ładowania, zasilacz	1 rok
Materiały eksploatacyjne	Rolka szczotki, szczotka boczna, rama szczotki, filtr, narzędzie do czyszczenia, pojemnik na kurz, zbiornik na wodę, uchwyt mopa, nakładka na mopa	/

### Wyłączenia i ograniczenia

1. Produkt został naprawiony bez zezwolenia, niewłaściwie użyty, rozbity, zaniedbany, niewłaściwie użytkowany, zamoczony, lub uszkodzony w wypadku, zmodyfikowany, użyto nieautoryzowanych akcesoriów
2. Okres gwarancji upłynął.
3. Szkada jest spowodowana działaniem siły wyższej.
4. Wady produktu i akcesoriów spowodowane przez właściciela lub użytkownika.

### Kontakt

Oficjalna strona: [smart.360.com](http://smart.360.com)

Obsługa klienta: [zh-service@360.cn](mailto:zh-service@360.cn)



@360smartlife

## Bezpečnostní Informace

---

- **Před použitím výrobku si přečtěte celé bezpečnostní pokyny a příručku si uschovejte pro budoucí použití. Jakékoli kroky, které se nebudou řídit tímto návodem, mohou způsobit vážná zranění nebo poškození zařízení.**
- **VAROVÁNÍ**
  - Tento výrobek mohou používat děti a osoby se sníženými fyzickými, smyslovými nebo duševními schopnostmi pouze tehdy, pokud jsou pod dozorem nebo byly poučeny o správném a bezpečném používání spotřebiče a porozuměly souvisejícím rizikům.
  - Pokud je robot v provozu, měli byste mít pod dohledem malé děti a domácí zvířata.
  - Tento výrobek lze používat pouze se schváleným adaptérem, napájecím kabelem, zástrčkou, baterií a nabíjecí stanicí. Použití jakéhokoli neoprávněného příslušenství může způsobit, že výrobek může generovat teplo, kouřit, vznítit se nebo explodovat.
  - Pokud je robot nebo jakékoli příslušenství poškozeno, přestaňte ho používat. Chcete-li výrobek zakoupit nebo vyměnit, kontaktujte zákaznický servis společnosti 360. S výjimkou techniků určených k opravě nebo autorizovaných společností 360 nesmí tento výrobek nikdo rozebírat, opravovat ani upravovat.
  - Na robot nepokládejte žádné předměty (včetně dětí a domácích zvířat).
  - Tento výrobek používejte a skladujte pouze v suchých prostorách s teplotou od 0 °C do 40 °C.
  - Před čištěním nebo údržbou robota vždy odpojte od nabíjecí stanice.
  - Nemanipulujte s robotem ani s nabíjecí stanicí mokřýma rukama a výrobek neotírejte vlhkým hadříkem.
  - Robota ani nabíjecí stanici neumývejte pod tekoucí vodou.
  - Abyste zajistili bezpečný provoz, nepoužívejte výrobek v vyvýšeném prostoru (jako je podkrovní ve druhém patře, otevřený balkon a vrchní část nábytku) bez fyzické bariéry.
  - Zajistěte, aby nabíjecí stanice byla umístěna nejméně 1,5 m od schodů, jiných otevřených prostor a zdrojů tepla (například topných těles).
  - Zabraňte tomu, aby se kovové předměty dotkly kontaktů baterie nebo se kontakty ponořily do kapaliny. Došlo by ke zkratu baterie. Baterie nevystavujte mechanickým nárazům.
  - Pravidelně kontroluje, zda baterie nevykazuje známky poškození nebo netěsnosti. Nenabíjejte poškozené nebo vytékající baterie, zabraňte kontaktu kapaliny s pokožkou nebo očima. Pokud dojde ke kontaktu, zasažené místo omyjte velkým množstvím vody a vyhledejte lékařskou pomoc.
- **VAROVÁNÍ**
  - Tento výrobek se používá k čištění podlah v domácím prostředí. Nepoužívejte ho pro venkovní prostory (například otevřený balkon), předměty nad úrovní podlahy (například pohovka), v komerčním nebo průmyslovém prostředí.
  - Před použitím výrobku odstraňte šňůry žaluzií nebo záclony, napájecí šňůry, aby mu nebránily v práci.
  - Z podlahy odstraňte křehké cenné předměty (například vázy), aby je robot nepoškodil.

- Malý čisticí nástroj uschovejte na místě mimo dosah dětí.
- Pokud je robot v provozu, zamezte tomu, abyste měli v blízkosti sacího otvoru prachu své vlasy, prsty nebo jiné části těla.
- Výrobek nepoužívejte k čištění ostrých předmětů (například zbytků ozdob, skla a železných hřebíků).
- Výrobek nepoužívejte k čištění hořících nebo kouřících předmětů (například nerozeznatelných nedopalků z cigaret).

#### • UPOZORNĚNÍ

- Výrobek nepoužívejte v místnosti, kde spí kojenci nebo malé děti.
- Koberce s vysokým vlasem a některé vysoké tmavé koberce nemusí být řádně vyčištěny.
- Při přenášení robota nepoužívejte nárazník ani horní kryt jako rukojeti.
- Nepoužívejte funkci mopu na koberce nebo vrchní části nábytku.
- Použití robota v prostředí s přímým slunečním světlem nebo silnými reflexními předměty může ovlivnit čisticí účinek.
- Po vybalení můžete na nádrži na vodu nebo na vývodech vody objevit vodní skvrny nebo zbytky vody, což je důsledkem specializovaného testu nádrže na vodu použitého v továrně před dodáním. Jedná se o normální jev. Neovlivní použití výrobku.
- Pokud potřebujete výrobek přepravit, ujistěte se, že je vypnutý. K přepravě doporučujeme použít originální obal.
- Pokud nebudete tento výrobek delší dobu používat, vypněte ho po úplném nabití a odložte ho na chladné a suché místo. Robot nabíjejte alespoň jednou za tři měsíce, abyste zabránili nadměrnému vybití z baterie.
- Pokud žijete v oblasti náchylné k elektrickým bouřím, doporučujeme použít dodatečnou přepětovou ochranu. V případě silných bouří může být vaše nabíjecí stanice chráněna přepětovou ochranou.
- Výrobek používejte v souladu s příručkou. Odpovědnost za jakékoli ztráty nebo zranění způsobené nesprávným použitím nese výhradně uživatel.

#### • RECYKLACE A LIKVIDACE

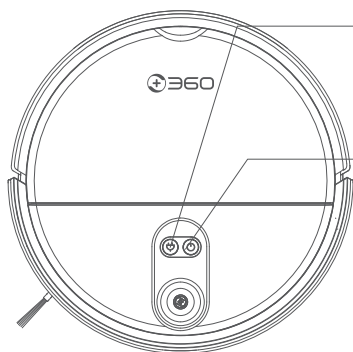
- Před recyklací nebo likvidací výrobek odpojte od nabíjecí stanice, vypněte ho a vyjměte baterii.
- Baterii vložte do uzavřeného plastového sáčku a bezpečně ji recyklujte nebo zlikvidujte v souladu s místními předpisy o ochraně životního prostředí.
- Je přísně zakázáno výrobek spálit, i když je vážně poškozen.

#### Informace o laseru:

- Všechny laserové senzory splňují standard laserových produktů třídy 1 podle IEC60825 a neprodukují nebezpečné laserové záření.
- Standard provedení: IEC60335.

## Základní informace

### Robot



#### Tlačítko nabíjení

- Krátkým stisknutím zapnete/pozastavíte dobíjení.
- Stisknutím a podržením spustíte místní čištění



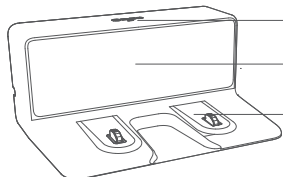
#### Tlačítko ČIŠTĚNÍ/hlavní vypínač

- Krátkým stisknutím zahájíte/pozastavíte/obnovíte čištění.
- Stisknutím a podržením po dobu 3 sekund výrobek zapnete/vypnete.
- Stisknutím a podržením po dobu 15 sekund vynutíte vypnutí.

#### Poznámka:

Po zapnutí robota stisknutím obou tlačítek a podržením po dobu 3 sekund resetujete Wi-Fi.

### Nabíjecí stanice



• Indikátor napájení

• Oblast vyzařování signálu

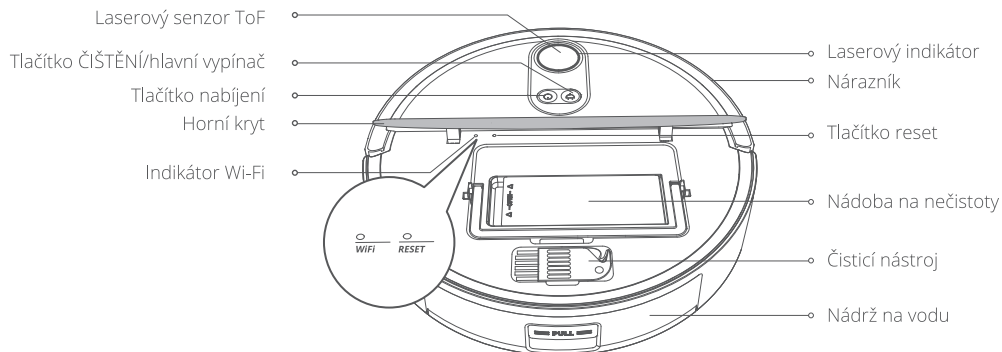
• Kontaktní body nabíjení

Robot	
Rozměry	350 x 350 x 85 mm 13.78 x 13.78 x 3.35 palců
Hmotnost výrobku	3.85 kg 8.48 liber
Kapacita baterie	5000 mAh, 72 Wh
Jmenovitá napětí	14.52V
Jmenovitý výkon	30W

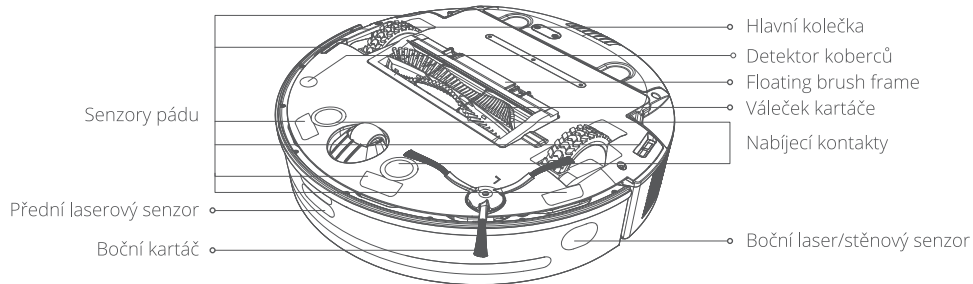
Nabíjecí stanice	
Rozměry	220 x 153 x 100 mm 8.66 x 6.02 x 3.94 palců
Jmenovitý výkon	24W
Jmenovitý výstup	24W

Obsah balení
Vlastní zařízení, nabíjecí stanice, napájecí adaptér a zástrčky, nádrž na vodu, držák mopu, podložka mopu, uživatelská příručka, malý čistící nástroj.

## Pohled shora



## Pohled zespoda

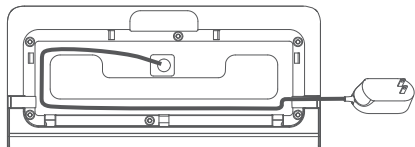


## Pokyny k instalaci

### 1. Připojte napájecí adaptér k nabíjecí stanici.

#### Poznámka:

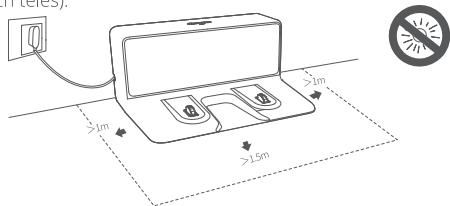
- Vložte další kabel do slotu na zadní straně nabíjecí stanice, aby se kabely během čištění nenatahovaly.
- Indikátor nabíjecí stanice trvale svítí, pokud je připojeno napájení, a nesvítí, když se robot nabíjí.



### 2. PNabíjecí stanici umístěte na vodorovnou pevnou podlahu a připojte napájecí zdroj.

#### Poznámka:

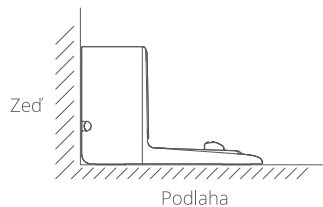
- Ponechte 1 metr na obou stranách a 1,5 metru před nabíjecí stanicí a ujistěte se, že se v této oblasti nenachází žádné předměty nebo silné světlo.
- Zajistěte, aby nabíjecí stanice byla umístěna nejméně 1,5 m od schodů, jiných otevřených prostor a zdrojů tepla (například topných těles).



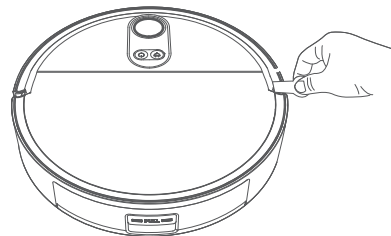
3. Abyste zajistili, že robot dokáže čistit a dobíjet, nepokládejte nabíjecí stanici na koberce ani s ní často nepohybujte. Pokud nabíjecí stanici přesunete, robot se nemusí sám lokalizovat nebo může odstranit aktuální mapu. Při příštím čištění si vytvoří a uloží novou mapu.

#### Poznámka:



- Informace z mapy (zóny zákazu vjezdu, názvy místností atd.) se mohou po obnově ztratit.



4. Položte robota na podlahu a sejměte obě ochranné lišty za nárazníkem.



## 5. Zapnutí a nabíjení.

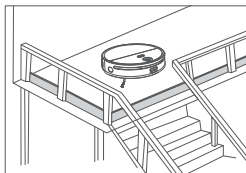
**1 způsob:** Stiskněte a podržte tlačítko , dokud se nerozsvítí, a umístěte robota do jednoho metru od nabíjecí stanice. Zmáčkněte tlačítko . Robot automaticky vyhledá nabíjecí stanici a přejde k nabíjení.

**2 způsob:** Umístěte robota na nabíjecí stanici a vyrovnejte jeho nabíjecí kontakty. Indikátor napájení na nabíjecí stanici zhasne a robot se automaticky zapne a začne se nabíjet.

### Poznámka:

- Pravidelně čistěte nabíjecí kontakty na nabíjecí stanici a robotovi.
- Robota nelze zapnout, když baterie není dostatečně nabitá, a automaticky se zapne, když je umístěn na nabíjecí stanici.
- Robot zahájí čištění pouze tehdy, když je úroveň nabití baterie  $\geq 30\%$ .
- Udržujte napájení nabíjecí stanice.
- Pokud robot nezačne čistit z nabíjecí stanice, pravděpodobně musí zůstat ve stanici déle. Pokud nelze dojet do nabíjecí stanice, robot se po vyčištění vrátí na výchozí místo.

**6. Pokud místnost, která má být vyčištěna, obsahuje vyvýšený prostor (balkon, schody atd.), měli byste použít fyzickou bariéru, která zabrání přístupu do této oblasti a zajistí bezpečný provoz. A současně pro tuto oblast důrazně doporučujeme vytvářet v aplikaci zakázané zóny a zakázané linie.**



## 7. Stáhněte si aplikaci pro mobilní telefon

**1 způsob:** V Google Play nebo v App Store vyhledejte aplikaci „360Robot“ a stáhněte si ji.

Q 360Robot



360Robot

**2 způsob:** Naskenujte níže uvedený QR kód pomocí fotoaparátu mobilního telefonu nebo jakékoli aplikace pro skenování QR kódů a stáhněte si aplikaci 360 Robot.



## 8. Přidejte svého robota do aplikace

- Informace o konfiguraci sítě naleznete v rámečku. Spusťte aplikaci, který vyhledá vašeho robota.
- Postupujte podle jednotlivých pokynů v aplikaci a připojte robota ke svému účtu.

### Poznámka:

- Další pokyny k provozu si přečtěte v části „Moje služba“ v aplikaci. Pokud budete mít jakékoli dotazy nebo připomínky, neváhejte nás kontaktovat.

## Poprodejní servis

### Obsah záruky

Název	Obsah záruky	Období
Robot	Robot (obsahuje vestavěnou baterii)	1 rok
Příslušenství	Nabíjecí stanice, napájecí adaptér	1 rok
Spotřební materiál	Válcový kartáč, boční kartáč, rám kartáče, filtr, čisticí nástroj, nádoba na nečistoty, nádrž na vodu, držák mopu, podložka mopu	/

### Vyloučení a omezení odpovědnosti

1. Výrobek byl opravován bez povolení, byl nesprávně použit, došlo k nárazu, nebyl řádně udržován, byl špatně použit, došlo k jeho namočení, nebo byl poškozen při nehodě, byl upravován, bylo použito nepovolené příslušenství
2. Záruční doba vyprší.
3. Škoda je způsobena vyšší mocí.
4. Vady výrobku a příslušenství způsobené vlastníkem nebo uživatelem.

### Kontaktní údaje

Oficiální stránky : [smart.360.com](https://smart.360.com)

Zákaznický servis : [zh-service@360.cn](mailto:zh-service@360.cn)



@360smartlife

Prohlášení EU o shodě naleznete zde:

<https://smart.360.com/certifications/robot/s10.html>

## Güvenlik Bilgileri

- **Bu ürünü kullanmadan önce lütfen güvenlik talimatlarının tamamını okuyun ve daha sonra başvurmak üzere bu kılavuzu saklayın. Kılavuza uygun olmayan işlemler ciddi yaralanma veya zarara neden olabilir.**

### • UYARI

- Bu ürün çocuklar veya düşük fiziksel, duyuusal veya zihinsel becerilere sahip kişiler tarafından yalnızca cihazın kullanımıyla ilgili güvenli bir şekilde kontrol edilmeleri veya talimat almaları ve ilgili tehlikeleri anlamları durumunda kullanılabilir veya temizlenebilir.
- Robot çalışırken küçük çocuklar ve evcil hayvanlar kontrol altında tutulmalıdır.
- Bu ürün yalnızca onaylı adaptör, güç kaynağı kablosu, fiş, batarya ve şarj yuvasıyla birlikte kullanılabilir. Onaylanmamış aksesuarların kullanımı ürünün ısı ve duman üretmesine, alev almasına veya patlamasına neden olabilir.
- Robotun veya herhangi bir aksesuarın zarar görmesi durumunda ürünü kullanmayın. Yeni ürün satın almak veya ürünü değiştirmek için lütfen 360 Müşteri Hizmetleri ile irtibata geçin. 360'ın belirlediği veya yetkilendirdiği veya yetkilendirdiği veya yetkilendirdiği veya yetkilendirdiği veya yetkilendirdiği tamir teknisyenleri dışında hiç kimse bu ürünü sökmemelidir, tamir etmemeli veya ürün üzerinde değişiklik yapmamalıdır.
- Robotun üstüne hiçbir zaman hiçbir nesne (çocuklar ve evcil hayvanlar dahil) koymayın.
- Bu ürünü 0°C/32°F ila 40°C/104°F arasındaki sıcaklıklarda kapalı ve kuru alanlarda kullanın ve saklayın.
- Robotun temizliğini ve bakımını yapmadan önce her zaman şarj yuvasından ayırın.
- Robotunuza veya şarj yuvasına ıslak ellerle dokunmayın veya ürünü ıslak bir bezle silmeyin.
- Robotu veya şarj yuvasını musluk suyunun altında yıkamayın.
- Ürünü güvenli bir şekilde çalıştırdığınızdan emin olmak için fiziksel bir bariyer olmadan yüksek alanlarda (ikinci kat çatı katı, açık balkon ve mobilyaların üstü gibi) kullanmayın.
- Şarj yuvasının merdivenlerden, diğer açık alanlardan ve ısı kaynaklarından (ısıtıcılar gibi) en az 1,5 metre/4,9 fit uzakta olduğundan emin olun.
- Bataryayı metal nesnelerin batarya terminallerine temas etmesine izin vererek veya sıvıya daldırarak kısa devre yapmayın. Bataryaları mekanik şoka maruz bırakmayın.
- Batarya paketinde herhangi bir hasar veya sızıntı belirtisi olup olmadığını periyodik olarak kontrol edin. Hasarlı veya sızdıran batarya paketlerini şarj etmeyin, bataryalardaki sıvının deri veya gözlerle temas etmesine izin vermeyin. Böyle bir temas gerçekleşmesi durumunda etkilenen alanı bol su ile yıkayın ve doktora başvurun.

### • DİKKAT

- Bu ürün ev ortamında yerleri temizlemek amacıyla kullanılmaktadır. Açık alanda (açık balkon gibi), zemin olmayan yerlerde (koltuk gibi), ticari veya endüstriyel ortamlarda kullanmayın.
- Ürünü kullanmadan önce ürünü engellemesini önlemek için stor veya perdelerin kordonlarını ve güç kablolarını toplayın.
- Robotun değerli eşyaları zarar vermesini önlemek için kırılabilir nesnelere (vazo gibi) yerden alın.

- Küçük temizleme aletini çocukların ulaşabileceği alanlardan uzağa koyun.
- Robot çalışırken saçları, parmakları veya vücudun diğer kısımlarını vakum ağzından uzakta tutun.
- Bu ürünü sivri nesnelere temizlemek için kullanmayın (dekoratif malzemeler, cam ve demir çiviler gibi).
- Bu ürünü yanan veya duman çıkaran nesnelere temizlemek için kullanmayın (söndürülmemiş sigara izmaritleri gibi).

#### • BİLGİ

- Bu ürünü bebeklerin veya küçük çocukların uyuduğu odalarda kullanmayın.
- Uzun tüylü ve bazı çok koyu renkli halılar düzgün temizlenmeyebilir.
- Robotu taşımak için tamponu veya üst kapağı kullanmayın.
- Paspaslama fonksiyonunu halıların veya mobilyaların üzerinde kullanmayın.
- Robotun doğrudan güneş ışığına maruz kalan veya yansıtıcılığı güçlü olan nesnelere bulunduğu ortamlarda kullanılmasını temizliğin etkisini azaltabilir.
- Ürünün paketini açtığınızda su haznesinde veya su çıkışlarında su lekeleriyle veya su damlası kalıntılarıyla karşılaşabilirsiniz, bunun nedeni teslimat öncesinde fabrikada gerçekleştirilen özel su haznesi testidir ve normal bir durumdur. Ürünün kullanımını etkilemeyecektir.
- Bu ürünü taşımanız gerekiyorsa Robotun kapalı olduğundan emin olun. Taşıma esnasında orijinal paketin kullanılması tavsiye edilir.
- Bu ürünü uzun bir süre kullanmayacaksanız robotu tamamen şarj ettikten sonra kapatın ve ürünü serin ve kuru bir yerde muhafaza edin. Bataryanın aşırı boşalmasını önlemek için Robotu en az üç ayda bir şarj edin.
- Gök gürültülü fırtınaların görüldüğü bir alanda yaşıyorsanız ilave aşırı gerilim koruması kullanmanız tavsiye edilir. Şiddetli gök gürültülü fırtınalar durumunda bir aşırı gerilim koruması şarj istasyonunuzu koruyabilir.
- Lütfen bu ürünü kılavuza uygun olarak kullanın. Ürünün hatalı kullanımından kaynaklanan tüm zarar veya yaralanmalarda sorumluluk yalnızca kullanıcıya ait olacaktır.

#### • GERİ DÖNÜŞÜM VE BERTARAF

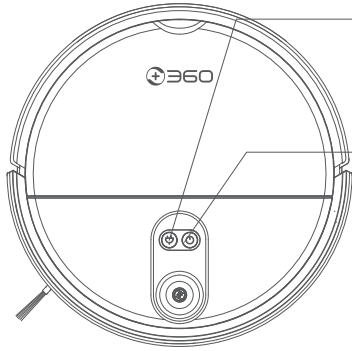
- Geri dönüşüm ve bertaraf işlemlerinden önce ürünü şarj yuvasından ayırın, kapatın ve bataryayı çıkarın.
- Bataryayı mühürlü bir plastik torbaya koyun ve yerel çevre düzenlemelerine uygun olarak emniyetli bir şekilde geri dönüşümünü ve bertarafını sağlayın.
- Ürün ciddi zarar görmüş olsa dahi ürünü yakmak kesinlikle yasaktır.

#### Lazer bilgileri:

- Tüm lazer sensörleri, IEC60825 lazer ürün standardı sınıf 1'e uygundur ve tehlikeli lazer radyasyonu üretmez.
- Yürütme standardı: IEC60335.

## Ürün Bilgileri

### Robot



#### Şarj düğmesi

- Şarj etmek için basıp bırak/şarjı durdur.
- Nokta temizliğine başlamak için basılı tut.



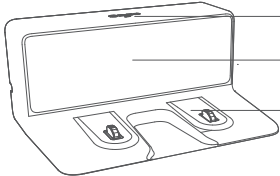
#### TEMİZLE/güç düğmesi

- Temizliği başlatmak/durdurmak/süzdürmek için basıp bırak.
- Açmak/kapatmak için 3 saniye boyunca basılı tut.
- Zorla kapatmak için 15 saniye boyunca basılı tut.

#### Not:

Robot açıldıktan sonra Wi-Fi'yi resetlemek için iki butona birden 3 saniye boyunca basılı tutun.

### Şarj yuvası



• Güç göstergesi

• Sinyal emisyonu alanı

• Şarj kontak noktaları

### Robot

Boyutlar	350 x 350 x 85 mm 13.78 x 13.78 x 3.35 inç
Ürün ağırlığı	3.85 kg 8.48 lbs
Batarya kapasitesi	5000 mAh, 72 Wh
Nominal gerilim	14.52V
Nominal güç	30W

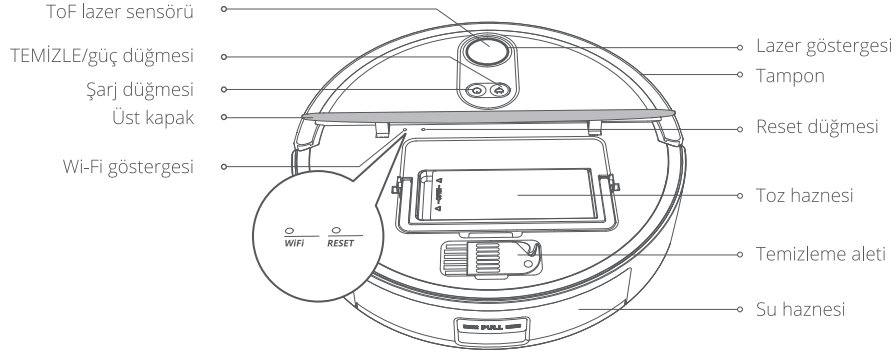
### Şarj Yuvası

Boyutlar	220 x 153 x 100 mm 8.66 x 6.02 x 3.94 inç
Nominal güç	24W
Nominal çıkış	24W

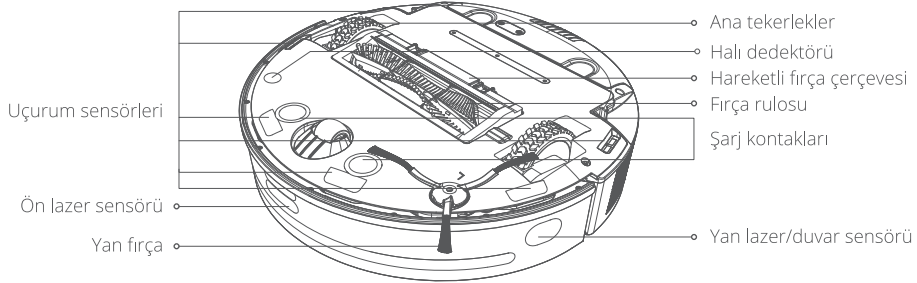
### Paket İçeriği

Ana ünite, şarj yuvası, güç adaptörü ve fişleri, su haznesi, paspas braketleri, paspas bezi, kullanma kılavuzu, küçük temizleme aleti.

## Üstten Görünüm



## Alttan Görünüm

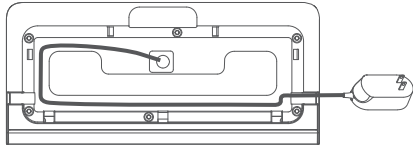


## Kurulum Talimatları

### 1. Güç adaptörünü şarj yuvasına bağlayın.

#### Not:

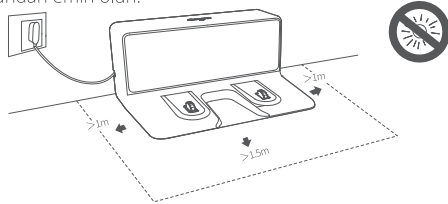
- Temizlik esnasında kabloların robot tarafından çekilmesini engellemek için kabloların dışarıda kalan kısmını şarj yuvasının arkasındaki yuvaya yerleştirin.
- Şarj yuvasında enerji varken şarj yuvası göstergesi sabit yanar, robot şarj olurken ise söner.



### 2. Şarj yuvasını yatay ve sert bir yüzeye koyun ve güç kaynağını bağlayın.

#### Not:

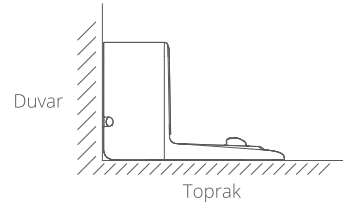
- Şarj yuvasının yanlarında 1'er metre (3,3 fit) ve önünde 1,5 metre (4,9 fit) boşluk bırakın ve bu alanda herhangi bir nesne veya güçlü bir ışık bulunmadığından emin olun.
- Şarj yuvasının merdivenlerden, diğer açık alanlardan ve ısı kaynaklarından (ısıtıcılar gibi) en az 1,5 metre (4,9 fit) uzakta olduğundan emin olun.



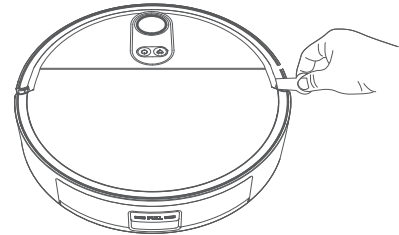
- ### 3. Robotun temizleme işlemini yapabilmesi ve şarj olabilmesi için şarj yuvasını halı üzerine koymayın veya sürekli yerini değiştirmeyin. Şarj yuvasının yeri değiştirilirse Robot kendi bulunduğu yeri tespit edemeyebilir veya güncel haritayı silebilir. Bir sonraki temizlik işleminde yeni bir harita oluşturacak ve bu haritayı kaydedecektir.

#### Not:

- Yeni harita oluşturulduktan sonra harita bilgileri (girilmeyecek bölgeler, oda isimleri vb.) silinebilir.



- ### 4. Robotu yere koyun ve tamponun arkasındaki koruyucu şeritleri çıkarın.



## 5.Açma ve şarj etme.

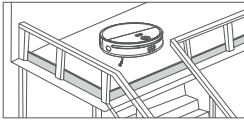
**Yöntem 1:** (☺) düğmesine yanana kadar basılı tutun ve Robotu şarj yuvasından maksimum bir metre öteye yerleştirin. (☹) düğmesine basıldığında Robot otomatik olarak şarj yuvasını arayacak ve şarj olmak için yuvaya gidecektir.

**Yöntem 2:** Robotu şarj yuvasına yerleştirin ve robot ile şarj yuvasının şarj kontaklarını aynı hizaya getirin. Şarj yuvası üzerindeki güç göstergesi sönecek ve robot otomatik olarak açılarak şarj olmaya başlayacaktır.

### Not:

- Şarj yuvası ve robot üzerindeki şarj kontaklarını düzenli olarak temizleyin.
- Batarya gücü yetersiz olduğunda robot açılmaz, şarj yuvasına yerleştirildiğinde otomatik olarak açılacaktır.
- Robot yalnızca batarya gücü seviyesi  $\geq 30\%$  olduğunda temizleme görevlerine başlayacaktır.
- Şarj yuvasına güç verin.
- Robot şarj yuvasından çıkıp temizliğe başlamıyorsa yuvada bir miktar daha şarj olması gerekiyor olabilir. Robot şarj yuvasına ulaşamazsa temizleme işleminden sonra başlangıç noktasına dönecektir.

**6.Temizlenecek odada yüksek bir alan varsa (balkon, merdivenler vb.) bu alana erişimi engellemek ve güvenli çalışmayı sağlamak için fiziksel bir bariyer kullanılmalıdır.Ayrıca bu alanlar için uygulama üzerinden girilmeyecek bölgeler veya gidilmeyecek alanlar oluşturulması şiddetle tavsiye edilir.**



## 7.Cep telefonu uygulamasını indirin

**Yöntem 1:** Google Play veya App Store'dan "360Robot"u arayın ve indirin.

Q 360Robot



360Robot

**Yöntem 2:** 360 Robot Uygulamasını indirmek için cep telefonu kameranızı veya herhangi bir kare kod tarayıcı uygulamayı kullanarak kare kodu tarayın.



## 8.Uygulama üzerinden Robotunuzu ekleyin

- Uygulamanın Robotunuzu bulması için Lütfen kutudaki ağ konfigürasyonu talimatına bakın.
- Daha sonra Robotu hesabınıza bağlamak için Uygulama üzerindeki talimatları adım adım takip edin.

### Not:

- Uygulama üzerinden "My -My Service" menüsündeki diğer çalıştırma talimatlarını kontrol edin ve soru veya yorumlarınız için bizimle irtibata geçmekten çekinmeyin.

## Satış Sonrası Hizmet

### Garanti içeriđi

İsim	Garanti içeriđi	Süre
Robot	Robot (gömülü batarya dahil)	1 yıl
Aksesuarlar	Şarj yuvası, güç adaptörür	1 yıl
Sarf malzemeleri	Fırça rulosu, yan fırça, fırça çerçevesi, filtre, temizleme aleti, toz haznesi, su haznesi, paspas braket, paspas bezi	/

### Garanti Kapsamında Olmayan Konular ve Sınırlamalar

- 1.Ürünün izinsiz tamir edilmesi, yanlış kullanılması, kırılması, bakımsız kullanılması, amacının dışında kullanılması, ıslatılması, veya bir kazada zarar görmesi, üründe deđişiklik yapılması, onaylanmamış aksesuarlar kullanılması.
- 2.Garanti süresinin dolması.
- 3.Mücbir sebep kaynaklı zarar.
- 4.Ürün sahibinin veya kullanıcının neden olduđu hasarlar.

### Bizimle İrtibata Geçin

Resmi web sitesi : [smart.360.com](http://smart.360.com)

Müşteri hizmetleri : [zh-service@360.cn](mailto:zh-service@360.cn)

   @360smartlife

### AB DoC'ye (Uygunluk Beyanı) buradan bakın:

<https://smart.360.com/certifications/robot/s10.html>



Download Your App Here



changes or modifications not expressly approved by the party responsible for compliance could void the user's authority to operate the equipment.

This equipment has been tested and found to comply with the limits for a Class B digital device, pursuant to Part 15 of the FCC Rules. These limits are designed to provide reasonable protection against harmful interference in a residential installation. This equipment generates, uses and can radiate radio frequency energy and, if not installed and used in accordance with the instructions, may cause harmful interference to radio communications. However, there is no guarantee that interference will not occur in a particular installation.

If this equipment does cause harmful interference to radio or television reception, which can be determined by turning the equipment off and on, the user is encouraged to try to correct the interference by one or more of the following measures:

- Reorient or relocate the receiving antenna.
- Increase the separation between the equipment and receiver.
- Connect the equipment into an outlet on a circuit different from that to which the receiver is connected.
- Consult the dealer or an experienced radio/TV technician for help.

changes or modifications not expressly approved by the party responsible for compliance could void the user's authority to operate the equipment.

This equipment has been tested and found to comply with the limits for a Class B digital device, pursuant to Part 15 of the FCC Rules. These limits are designed to provide reasonable protection against harmful interference in a residential installation. This equipment generates, uses and can radiate radio frequency energy and, if not installed and used in accordance with the instructions, may cause harmful interference to radio communications. However, there is no guarantee that interference will not occur in a particular installation.

If this equipment does cause harmful interference to radio or television reception, which can be determined by turning the equipment off and on, the user is encouraged to try to correct the interference by one or more of the following measures:

- Reorient or relocate the receiving antenna.
- Increase the separation between the equipment and receiver.

Meet the energy efficiency requirements in CEC mode. CEC mode is an energy-saving mode, exiting this mode will consume more energy efficiency.



Prolinx GmbH  
Brehmstr. 56, 40239, Duesseldorf, Germany  
Tel: 0049 211 3105 4698  
(Not applicable to after-sales service)



FCC ID: 2AZD5-S10  
KC ID: R-R-R36-S10